























Bearings And Housings Matching Table

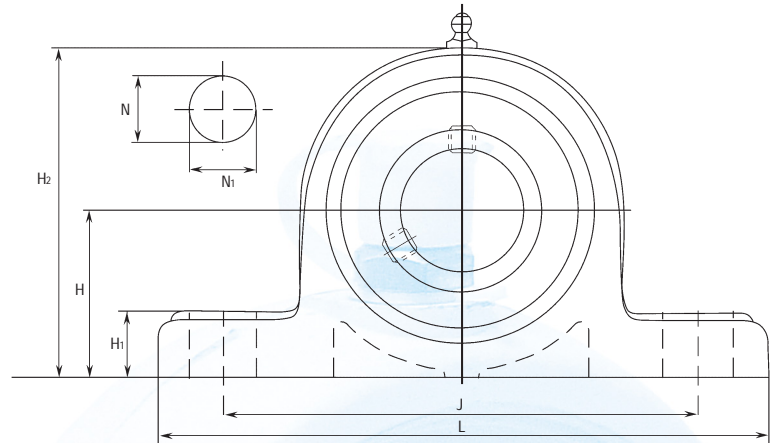
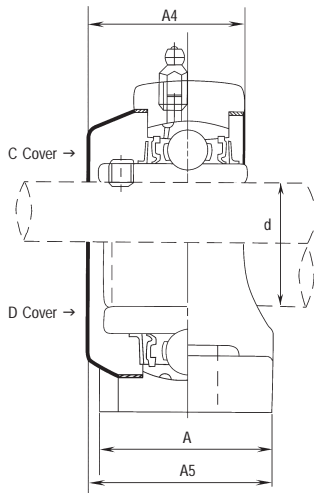
Bearing Housing		 UC	 UK	 NA	 SA	 SB
	P	UCP	UKP	NAP	SAP	SBP
	F	UCF	UKF	NAF	SAF	SBF
	FL	UCFL	UKFL	NAFL	SAFL	SBFL
	T	UCT	UKT	NAT	SAT	SBT
	FC	UCFC	UKFC	NAFC	SAFC	SBFC
	PH	UCPH	UKPH	NAPH	SAPH	SBPH
	PA	UCPA	UKPA	NAPA	SAPA	SBPA
	HA	UCHA	UKHA	NAHA		
	FB	UCFB	UKFB	NAFB		
	FA	UNFA	UKFA	NAFA		
	C	UCC	UKC	NAC	SAC	SBC
	LP				SALP	SBLP
	FL				SALF	SBLF
	FD				SAFD	SBFD
	PP	UCPP	UKPP	NAPP	SAPP	SBPP
	PF	UCPF	UKPF	NAPF	SAPF	SBPF
	PFL	UCPFL	UKPFL	NAPFL	SAPFL	SBPFL

THERMO-PLASTIC HOUSING PILLOW BLOCK UNIT

SPUCP2 Series



STAINLESS STEEL SERIES



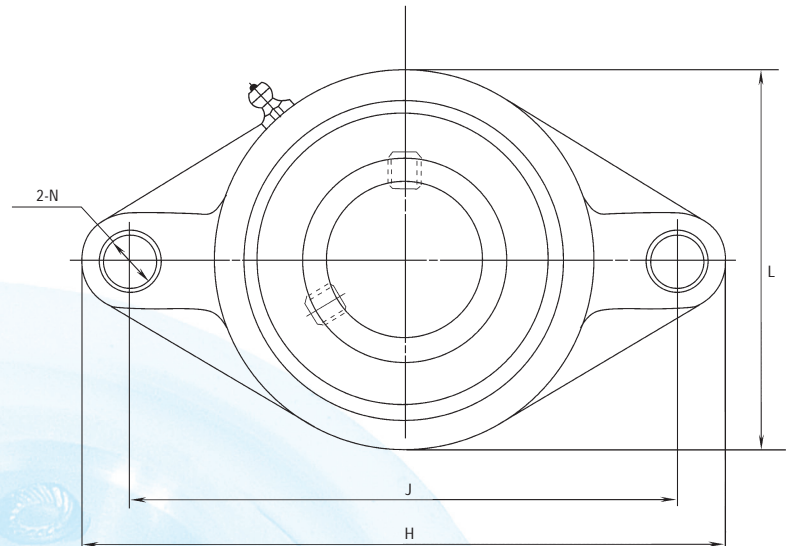
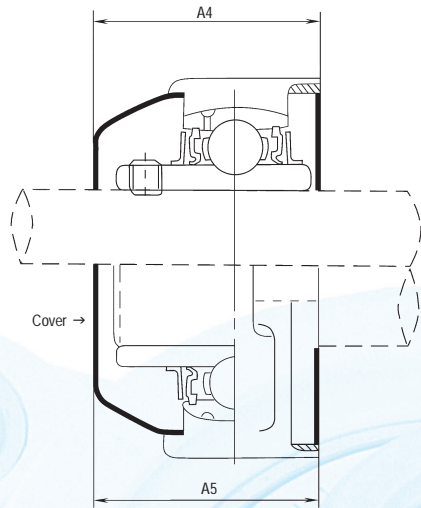
UNIT NO	SHAFT DIA, d		DIMENSIONS (mm)												BOLT SIZE	BEARING NO	HOUSING NO	WEIGHT (kg)
	mm	inch	H	L	J	A	N	N ₁	H ₁	H ₂	A ₁	A ₂	B	S				
SPUCP204-12	20	¾"	33.3	127	95	39.0	13	19	16	84.1	45.0	51.0	31.0	12.7	M10	SSUC204	SPP204	0.275
SPUCP204		SSUC204-12																
SPUCP205-14	25	7/8"	36.5	140	105	39.0	13	19	16	70.0	47.8	52.4	34.1	14.3	M10	SSUC205-14	SPP205	0.330
SPUCP205-15		1-5/16"														SSUC205-15		
SPUCP205	30	1"	42.9	160	121	47.1	15	21	17	84.0	56.5	64.3	38.1	15.9	M12	SSUC205	SPP206	0.515
SPUCP205-16		1-1/8"														SSUC205-16		
SPUCP206-18	35	1-3/16"	47.6	167	127	48.0	17	21	20	94.0	59.2	66.0	42.9	17.5	M14	SSUC206-18	SPP207	0.675
SPUCP206		1-1/4"														SSUC206-18		
SPUCP206-19	40	1-5/8"	49.2	184	137	55.0	17	22	20	101.2	66.8	79.8	49.2	19.0	M14	SSUC206-19	SPP208	0.915
SPUCP206-20		1-3/4"														SSUC206-19		
SPUCP207-20	45	1-11/16"	54.0	190	146	55.0	17	25	22	109.0	71.0	85.0	49.2	19.0	M14	SSUC207-20	SPP209	1.000
SPUCP207-21		1-5/8"														SSUC207-20		
SPUCP207-22	50	1-3/8"	57.2	206	159	61.0	20	22	23	114.0	76.0	92.0	51.6	19.0	M16	SSUC207-22	SPP210	1.180
SPUCP207		1-7/8"														SSUC207-22		
SPUCP207-23	55	2"	63.5	219	171	61.0	20	25	25	127.0	83.0	105.0	55.6	22.2	M16	SSUC207-23	SPP211	1.470
SPUCP207-24		1-1/2"														SSUC207-23		
SPUCP208-25	60	1-9/16"	69.8	238	184	68.0	20	25	25	140.0	91.0	112.0	65.1	25.4	M16	SSUC208-24	SPP212	1.980
SPUCP208		1-5/8"														SSUC208-24		
SPUCP209-26	65	1-11/16"	73.0	254	200	73.0	20	25	25	146.0	95.0	118.0	68.8	26.7	M16	SSUC208-25	SPP213	2.160
SPUCP209-27		1-3/4"														SSUC208-25		
SPUCP209-28	70	2-1/8"	79.0	280	220	79.0	20	25	25	152.0	99.0	124.0	71.6	27.9	M16	SSUC209-28	SPP214	2.340
SPUCP209		2-1/4"														SSUC209-28		
SPUCP210-30	75	2-3/16"	85.0	305	240	85.0	20	25	25	158.0	103.0	130.0	74.4	29.3	M16	SSUC209	SPP215	2.520
SPUCP210-31		2-1/4"														SSUC209		
SPUCP211-32	80	2-7/16"	91.0	330	260	91.0	20	25	25	164.0	107.0	136.0	77.1	30.6	M16	SSUC210-30	SPP216	2.700
SPUCP210		2-1/2"														SSUC210-30		
SPUCP211-33	85	2-1/2"	97.0	355	280	97.0	20	25	25	170.0	111.0	142.0	79.8	31.8	M16	SSUC210-31	SPP217	2.880
SPUCP211-34		2-3/8"														SSUC210-31		
SPUCP211	90	2-7/8"	103.0	380	300	103.0	20	25	25	176.0	115.0	148.0	82.5	33.0	M16	SSUC211-32	SPP218	3.060
SPUCP211-35		2-3/4"														SSUC211-32		
SPUCP211-36	95	3"	109.0	405	320	109.0	20	25	25	182.0	119.0	154.0	85.2	34.2	M16	SSUC211-34	SPP219	3.240
SPUCP211-37		2-1/2"														SSUC211-34		
SPUCP212	100	3-1/8"	115.0	430	340	115.0	20	25	25	188.0	123.0	160.0	87.9	35.4	M16	SSUC211	SPP220	3.420
SPUCP212-38		2-3/8"														SSUC211		
SPUCP212-39	105	2-7/16"	121.0	455	360	121.0	20	25	25	194.0	127.0	166.0	90.6	36.6	M16	SSUC212-36	SPP221	3.600
SPUCP212-39		2-7/16"														SSUC212-36		

Add C for both side open cover & CD for one side open & one side close cover

THERMO-PLASTIC HOUSING FLANGE UNIT

SPUCFL2 Series

STAINLESS STEEL SERIES

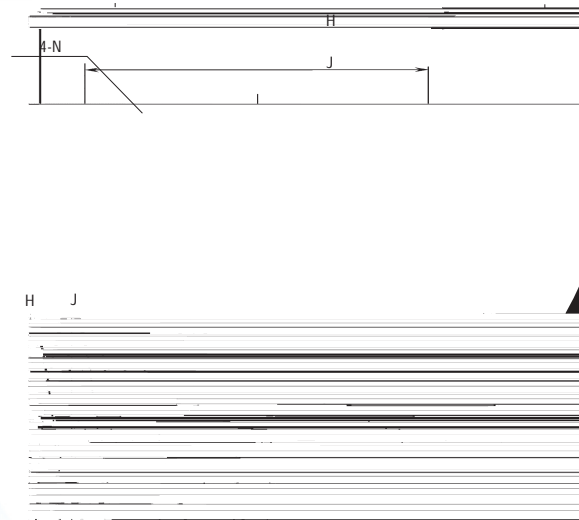
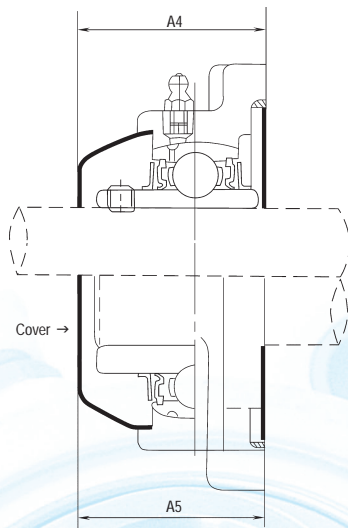


UNIT NO	SHAFT DIA, d		DIMENSIONS (mm)											BOLT SIZE	BEARING NO	HOUSING NO	WEIGHT (kg)
	mm	inch	H	J	A	L	A ₁	A ₂	A ₃	A ₄ /A ₅	N	B	S				
SPUCFL204-12	20	3/4"	113	90			12	15	33.3	50	12	31.0	12.7	M10	SSUC204	SPFL204	0.222
SPUCFL204																	
SPUCFL205-14		7/8"															
SPUCFL205-15	25	1-5/16"	130	99			14	16	35.8	53	16	34.1	14.3	M14	SSUC205-14	SPFL205	0.295
SPUCFL205																	
SPUCFL205-16		1"															
SPUCFL206-18	30	1-1/8"	117				14	18	40.2	61	16	38.1	15.9	M14	SSUC205-16	SPFL206	0.445
SPUCFL206																	
SPUCFL206-19		1-3/16"															
SPUCFL207-20	35	1-1/4"	161	130			16	19	44.4	66	16	42.9	17.5	M14	SSUC206-18	SPFL207	0.635
SPUCFL207-21		1-5/16"															
SPUCFL207-22		1-3/8"															
SPUCFL208-24	40	1-7/16"	175	144			16	21	51.2	74	16	49.2	19.0	M14	SSUC207	SPFL208	0.855
SPUCFL208-25		1-1/2"															
SPUCFL208		1-9/16"															
SPUCFL209-26	45	1-5/8"	180	148	38.0	112	16	22	52.2	82	16	49.2	19.0	M14	SSUC206-16	SPFL209	0.970
SPUCFL209-27		1-11/16"															
SPUCFL209-28		1-3/4"															
SPUCFL210-30	50	1-7/8"	190	157	40.0	117	16	22	54.6	89	18	51.6	19.0	M16	SSUC208-24	SPFL210	1.170
SPUCFL210-31		1-15/16"															
SPUCFL210																	
SPUCFL211-32	55	2"	217	184	43.0	134	18	25	58.4	95	18	55.6	22.2	M16	SSUC208-25	SPFL211	1.680
SPUCFL211-34		2-1/8"															
SPUCFL211																	
SPUCFL211-35	60	2-3/16"	235	202	48.0	142	18	29	68.7	103	18	65.1	25.4	M16	SSUC209-26	SPFL212	2.200
SPUCFL212-36		2-1/4"															
SPUCFL212																	
SPUCFL212-38		2-3/8"													SSUC209-27		
SPUCFL212-39		2-7/16"															

Add C for open cover & D for close cover

THERMO-PLASTIC HOUSING FLANGE UNIT

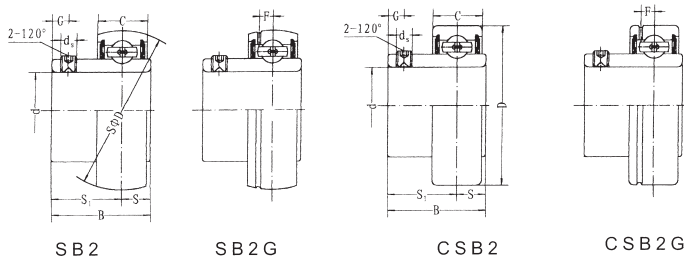
SPUCF2 Series



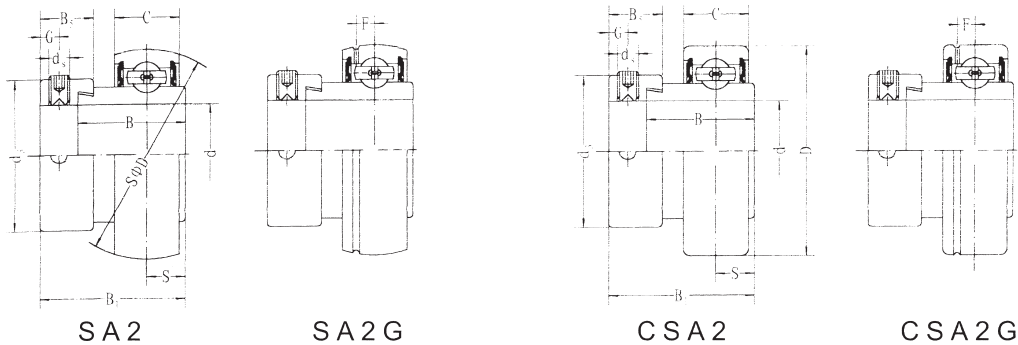
UNIT NO	SHAFT DIA, d		DIMENSIONS (mm)										BOLT SIZE	BEARING NO	HOUSING NO	WEIGHT (kg)
	mm	inch	H	J	A	A ₁	A ₂	A ₃	A ₄ /A ₅	N	B	S				
SPUCF204-12	20	3/4"	86	64	25.5	12	15	33.3	50	11	31.0	12.7	M10	SSUC204	SPF204	0.275
SPUCF204		SSUC204-12														
SPUCF205-14	25	7/8"	95	70	27.0	12	16	35.8	53	11	34.1	14.3	M10	SSUC205-14	SPF205	0.330
SPUCF205-15		1-5/16"												SSUC205-15		
SPUCF205		1"												SSUC205		
SPUCF205-16		1-1/8"												SSUC205-16		
SPUCF206-18	30	1-1/8"	108	83	31.0	12	18	40.2	61	11	38.1	15.9	M10	SSUC206-18	SPF206	0.515
SPUCF206		SSUC206-18														
SPUCF206-19		1-3/16"												SSUC206		
SPUCF207-20		1-1/4"												SSUC207-20		
SPUCF207-21	35	1-5/16"	117	92	34.0	14	19	44.4	66	13	42.9	17.5	M12	SSUC207-21	SPF207	0.675
SPUCF207-22		1-3/8"												SSUC207-22		
SPUCF207		SSUC207														
SPUCF207-23		1-7/16"												SSUC207-23		
SPUCF208-24	40	1-1/2"	130	102	36.0	16	21	51.2	74	15	49.2	19.0	M14	SSUC208-24	SPF208	0.915
SPUCF208-25		1-9/16"												SSUC208-25		
SPUCF208		SSUC208														
SPUCF209-26		1-5/8"												SSUC209-26		
SPUCF209-27	45	1-11/16"	137	105	38.0	16	22	52.2	82	15	49.2	19.0	M14	SSUC209-27	SPF209	1.000
SPUCF209-28		1-3/4"												SSUC209-28		
SPUCF209		SSUC209														
SPUCF210-30		1-7/8"												SSUC210-30		
SPUCF210-31	50	1-15/16"	143	111	40.0	16	22	54.6	89	15	51.6	19.0	M14	SSUC210-31	SPF210	1.180
SPUCF210		SSUC210														
SPUCF211-32		2"												SSUC211-32		
SPUCF211-34		2-1/8"												SSUC211-34		
SPUCF211	55	2-3/16"	162	130	43.0	19	25	58.4	95	17	55.6	22.2	M16	SSUC211	SPF211	1.470
SPUCF211-35		2-1/4"												SSUC211-35		
SPUCF212-36		SSUC212-36														
SPUCF212		SSUC212														
SPUCF212-38	60	2-3/8"	175	143	48.0	19	29	69.1	103	17	65.1	25.4	M16	SSUC212-38	SPF212	1.980
SPUCF212-39		2-7/16"												SSUC212-39		

Add C for open cover & D for close cover

SB2 (light-duty)



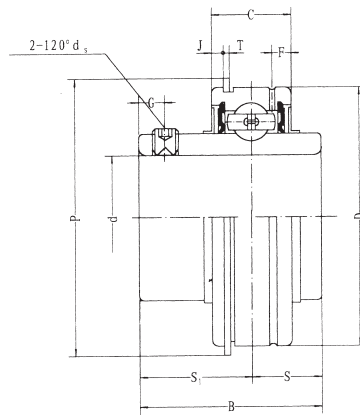
Bearing No.	Dimensions ^{mm} / _{inch}								Bearing No.	Housing No.	Weight (kg)
	d	D	B	C	S	S ₁	d _s	G			
SB 201	12	40	22	12	6	16	M5 x 0.8	4.5	7360	4480	0.10
SB 201-8	3/4	1.5748	0.8661	0.4724	0.236	0.630	# 10-32	0.177			0.10
SB 202	15	40	22	12	6	16	M5 x 0.8	4.5	7360	4480	0.10
SB 202-9	9/16	1.5748	0.8661	0.4724	0.236	0.630	# 10-32	0.177			0.10
SB 202-10	5/8										0.10
SB 203	17	40	22	12	6	16	M5 x 0.8	4.5	7360	4480	0.10
SB 203-11	11/16	1.5748	0.8661	0.4724	0.236	0.630	# 10-32	0.177			0.10
SB 204	20	47	25	14	7	16	M6 x 1	4.5	9880	6200	0.13
SB 204-12	3/4	1.8504	0.9843	0.5512	0.276	0.709	1/4-28 UNF	0.177			0.14
SB 205	25	52	27	15	7.5	19.5	M6 x 1	5.5	10780	6980	0.16
SB 205-13	13/16										0.19
SB 205-14	7/8	2.0472	1.0630	0.5906	0.295	0.768	1/4-28 UNF	0.217			0.18
SB 205-15	15/16										0.17
SB 205-16	1										0.16
SB 206	30	62	30	16	8	22	M6 x 1	6	14970	10040	0.25
SB 206-17	1-1/16										0.28
SB 206-18	1-1/8	2.4409	1.1811	0.6299	0.315	0.866	1/4-24 UNF	0.236			0.26
SB 206-19	1-3/16										0.25
SB 206-20	1-1/4										0.24
SB 207	35	72	32	17	8.5	23.5	M8 x 1	6.5	19750	13670	0.36
SB 207-20	1-1/4										0.43
SB 207-21	1-5/16	2.8346	1.2598	0.6693	0.335	0.925	5/16-24 UNF	0.256			0.41
SB 207-22	1-3/8										0.38
SB 207-23	1-7/16										0.37
SB 208	40	80	34	18	9	25	M8 x 1	7	22710	15940	0.60
SB 208-24	1-1/2	3.1496	1.3386	0.7087	0.354	0.984	5/16-24 UNF	0.276			0.58
SB 208-25	1-9/16										0.60
SB 209	45	85	41.2	19	10.2	31	M8 x 1	8.2	24360	17710	0.80
SB 209-26	1-5/8										
SB 209-27	1-11/16	3.3465	1.6220	0.7480	0.402	1.220	5/16-24 UNF	0.323			
SB 209-28	1-3/4										
SB 210	50	90	43.5	20	10.9	32.6	M10 x 1	9.2	26980	19840	0.80
SB 210-29	1-13/16										
SB 210-30	1-7/8	3.5433	1.7125	0.7874	0.429	1.283	3/8-24 UNF	0.362			
SB 210-31	1-15/16										
SB 210-32	2										
SB 211	55	100	45.3	21	11.8	33.5	M10 x 1	9.8	33370	25110	1.1
SB 211-32	2										
SB 211-33	2-1/16	3.9370	1.7835	0.8268	0.465	1.319	3/8-24 UNF	0.386			
SB 211-34	2-1/8										
SB 211-35	2-3/16										
SB 212	60	110	53.7	22	14.9	38.8	M10 x 1	9.8	36740	27970	1.30
SB 212-36	2-1/4										
SB 212-37	2-5/16	4.3307	2.1142	0.8661	0.587	1.528	3/8-24 UNF	0.386			
SB 212-38	2-3/8										
SB 212-39	2-7/16										



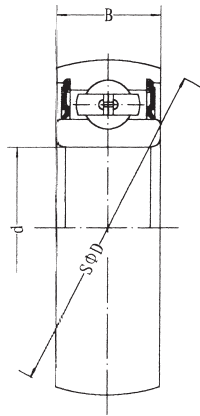
Bearing No.	Dimensions ^{mm} / _{inch}										Basic Load Rating (N)		Weight (kg)
	d	D	B ₁	B	C	S	d _s	G	B ₅	d _s	Dynamic	Static	
SA 201	12	40	28.6	19.1	12	6.5	M6 x 1	4.8	13.5	28.6	7360	4480	0.12
SA 201-8	3/4	1.5748	1.126	0.7520	0.4724	0.256	1/4-28UNF	0.189	0.531	1.126			0.12
SA 202	15	40	28.6	19.1	12	6.5	M6 x 1	4.8	13.5	28.6	7360	4480	0.10
SA 202-9	9/16												0.10
SA 202-10	5/8	1.5748	1.126	0.7520	0.4724	0.256	1/4-28UNF	0.189	0.531	0.126			0.10
SA 203	17	40	28.6	19.1	12	6.5	M6 x 1	7.8	13.5	28.6	7360	4480	0.09
SA 203-11	11/16	1.5748	1.126	0.7520	0.4724	0.256	1/4-28UNF	0.189	0.531	1.126			0.09
SA 204	20	47	31	21.5	14	7.5	M6 x 1	4.8	13.5	33.3	9880	6200	0.16
SA 204-12	3/4	1.8504	1.220	0.8465	0.5512	0.295	1/4-28UNF	0.189	0.531	1.311			0.16
SA 205	25	52	31	21.5	15	7.5	M6 x 1	4.8	13.5	38.1			0.20
SA 205-13	13/16												0.22
SA 205-14	7/8										10780	6980	0.21
SA 205-15	15/16	2.0472	1.220	0.8465	0.5906	0.295	1/4-28UNF	0.189	0.531	1.500			0.21
SA 205-16	1												0.20
SA 206	30	62	35.7	23.8	16	9	M8 x 1	6	15.9	44.5			0.30
SA 206-17	1-1/16												0.32
SA 206-18	1-1/8	2.4409	1.406	0.9370	0.6299	0.354	5/16-28UNF	0.236	0.626	1.752	14970	10040	0.31
SA 206-19	1-3/16												0.30
SA 206-20	1-1/4												0.29
SA 207	35	72	38.9	25.4	17	9.5	M8 x 1	6.8	17.5	55.6			0.42
SA 207-20	1-1/4												0.46
SA 207-21	1-5/16										19750	13670	0.43
SA 207-22	1-3/8	2.8346	1.531	1.000	0.6693	0.374	5/16-24UNF	0.268	0.689	2.189			0.42
SA 207-23	1-7/16												0.41
SA 208	40	80	43.7	30.2	18	11	M8 x 1	6.8	18.3	60.3			0.60
SA 208-24	1-1/2	3.1496	1.721	1.1890	0.7087	0.433	5/16-24UNF	0.268	0.720	2.374	22710	15940	0.58
SA 208-25	1-9/16												0.60
SA 209	45	85	43.7	30.2	19	11	M8 x 1	6.8	18.3	63.5			
SA 209-26	1-5/8												
SA 209-27	1-11/16	3.3465	1.721	1.1890	0.7480	0.433	5/16-24UNF	0.268	0.720	2.500	24360	17710	0.90
SA 209-28	1-3/4												
SA 210	50	90	43.7	30.2	20	11	M8 x 1	6.8	18.3	69.9			
SA 210-29	1-13/16												
SA 210-30	1-7/8	3.5433	1.721	1.1890	0.7874	0.433	5/16-24UNF	0.268	0.720	2.752	26980	19840	0.98
SA 210-32	2												
SA 211	55	100	48.4	32.5	21	12	M10 x 1	8	20.7	76.2			
SA 211-32	2												
SA 211-33	2-1/16										33370	25110	1.26
SA 211-34	2-1/8	3.9370	1.906	1.2795	0.8268	0.472	3/8-24UNF	0.315	0.815	3.000			
SA 211-35	2-3/16												
SA 212	60	110	53.1	37.2	22	13.5	M10 x 1	8	22.3	84.2			
SA 212-36	2-1/4												
SA 212-37	2-5/16										36740	27970	1.70
SA 212-38	2-3/8	4.3307	2.091	1.4646	0.8661	0.532	3/8-24UNF	0.315	0.878	3.315			
SA 212-39	2-7/16												

SER 2 (normal-duty)

Ball Bearings
(with snap ring)

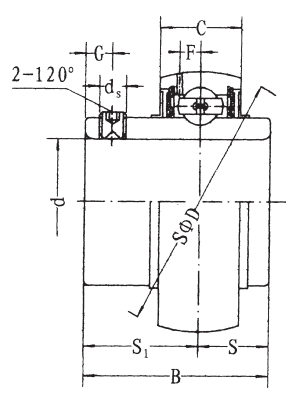


Bearing No.	Dimensions ^{mm} / _{inch}												Basic Load Rating (N)		Weight (kg)
	d	D	B	C	S	S ₁	T	F	J	P	G	d ₂	Dynamic	Static	
SER 204	20	47	31	15.9	10.3	20.7	1.12	3.8	2.46	52.7	4.8	M6 x 1	9880	6200	0.21
SER 204-12	¾	1.8504	1.2205	0.6260	0.406	0.815	0.044	0.150	0.097	2.075	0.189	¼-28UNF			
SER 205	25	52	34.9	19	13.1	21.8	1.12	5.2	2.46	57.9	5	M6 x 1			
SER 205-13	13/16														
SER 205-14	7/8	2.0472	1.3740	0.7480	0.516	0.858	0.044	0.205	0.097	2.280	0.197	¼-28UNF	10780	6980	0.27
SER 205-15	15/16														
SER 205-16	1														
SER 206	30	62	38.1	22.2	15.9	22.2	1.7	5.6	3.28	67.7	5	M6 x 1			
SER 206-17	1-1/16														
SER 206-18	1-1/8	2.4409	1.5000	0.8740	0.626	0.874	0.067	0.220	0.129	2.665	0.197	¼-28UNF	14970	10040	0.39
SER 206-19	1-3/16														
SER 206-20	1-¼														
SER 207	35	72	42.9	23.8	17.5	25.4	1.7	5.6	3.28	78.6	6.7	M8 x 1			
SER 207-20	1-¼														
SER 207-21	1-5/16	2.8346	1.6890	0.9370	0.689	1.000	0.067	0.220	0.129	3.094	0.264	5/16-24UNF	19750	13760	0.45
SER 207-22	1-3/8														
SER 207-23	1-7/16														
SER 208	40	80	49.2	27.8	19	30.2	1.7	6.4	3.28	86.9	8	M8 x 1			
SER 208-24	1-1/2	3.1496	1.9370	1.0945	0.748	1.189	0.067	0.252	0.129	3.409	0.315	5/16-24UNF	22710	15940	0.81
SER 208-25	1-9/16														
SER 209	45	85	49.2	27.8	19	30.2	1.7	6.4	3.28	91.6	8	M8 x 1			
SER 209-26	1-5/8														
SER 209-27	1-11/16	3.3465	1.9370	1.0945	0.748	1.189	0.067	0.252	0.129	3.606	0.315	5/16-24UNF	24360	17710	0.90
SER 209-28	1-¾														
SER 210	50	90	51.6	28.6	19	32.6	2.46	7.5	3.28	96.5	10	M10 x 1			
SER 210-29	1-13/16														
SER 210-30	1-7/8	3.5433	2.0315	1.1260	0.748	1.283	0.097	0.295	0.129	3.799	0.394	3/8-24UNF	26980	19840	0.98
SER 210-31	1-15/16														
SER 210-32	2														
SER 211	55	100	55.6	30.2	22.2	33.4	2.46	7.5	3.28	106.5	10	M10 x 1			
SER 211-2	2														
SER 211-33	2-1/16	3.9370	2.1890	1.1890	0.874	1.315	0.097	0.295	0.129	4.193	0.394	3/8-24UNF	33370	25110	1.40
SER 211-34	2-1/8														
SER 211-35	2-3/16														
SER 212	60	110	65.1	31.8	25.4	39.7	2.46	7.5	3.28	1116.6	10	M10 x 1			
SER 212-32	2														
SER 212-36	2-1/4														
SER 212-37	2-5/16	4.3307	2.5630	1.2520	1.000	1.563	0.097	0.295	0.129	4.591	0.394	3/8-24UNF	36740	27970	1.89
SER 212-38	2-3/8														
SER 212-39	2-7/16														

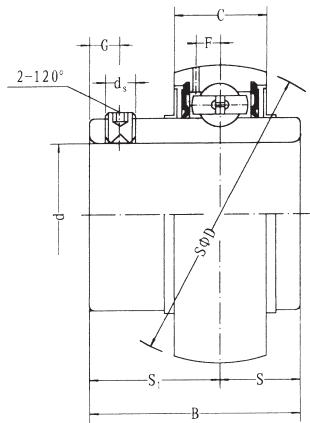


Bearing No.	Dimensions ^{mm} / _{inch}			Basic Load Rating (N)		Weight (kg)
	d	D	B	Dynamic	Static	
CS 200-2RS	10	30	9	520	245	0.030
	0.3937	0.3543	1.1811			
CS 201-2RS	12	32	10	690	310	0.035
	0.4724	0.3937	1.2598			
CS 202-2RS	15	35	11	780	380	0.040
	0.5906	0.4331	1.3780			
CS 203-2RS	17	40	12	7360	4480	0.06
	0.6693	1.5748	0.4724			
CS 204-2RS	20	47	14	9880	6200	0.10
	0.7874	1.8504	0.5512			
CS 205-2RS	25	52	15	10780	6980	0.13
	0.9843	2.0472	0.5906			
CS 206-2RS	30	62	16	14970	10040	0.20
	1.1811	2.4409	0.6299			
CS 207-2RS	35	72	17	19750	13670	0.29
	1.3780	2.8346	0.6693			
CS 208-2RS	40	80	18	22710	15940	0.37
	1.5748	3.1496	0.7087			
CS 209-2RS	45	85	19	24360	17710	0.46
	1.7717	3.3465	0.7480			
CS 210-2RS	50	90	20	26980	19840	0.57
	1.9685	3.5433	0.7874			

Ball Bearings



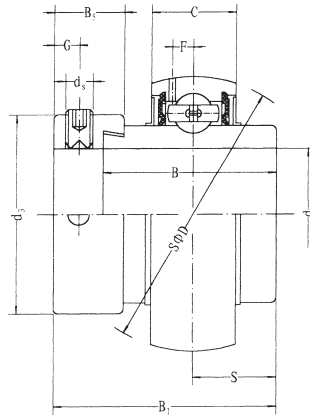
Unit No.	Dimensions ^{mm} / _{inch}									Basic Load Rating (N)		Weight (kg)
	d	D	B	C	S	s ₁	G	d _s	F	Dynamic	Static	
UC 305	25	62	38	20	15	23	6	M6 x 1	5.4			0.35
UC 305-13	13/16											0.40
UC 305-14	7/8	2.4409	1.4961	0.7874	0.591	0.906	0.236	1/4-28 UNF	0.213	17220	11930	0.38
UC 305-15	1											0.36
UC 305-16												0.35
UC 306	30	72	43	23	17	26	6	M6 x 1	5.7			0.56
UC 306-17	1-1/16											0.61
UC 306-18	1-1/8	2.8346	1.6929	0.9055	0.669	1.024	0.236	1/4-28 UNF	0.225	20770	14170	0.58
UC 306-19	1-3/16											0.56
UC 307	35	80	48	25	19	29	8	M8 x 1	6.2			0.71
UC 307-20	1-1/4											0.77
UC 307-21	1-5/16	3.1496	1.8898	0.9843	0.748	1.142	0.315	5/16-24 UNF	0.224	25660	17920	0.74
UC 307-22	1-1/8											0.71
UC 307-23	1-7/16											0.68
UC 308	40	90	52	27	19	33	10	M10 x 1	7.0			0.96
UC 308-24	1-1/2	3.5433	2.0472	1.0630	0.748	1.299	0.394	3/8-24 UNF	0.276	31350	22380	1.01
UC 308-25	1-9/16											0.97
UC 309	45	100	57	30	22	35	10	M10 x 1	7.8			1.28
UC 309-26	1-5/8											1.39
UC 309-27	1-11/16	3.9370	2.2441	1.1811	0.866	1.378	0.394	3/8-24UNF	0.307	40660	30000	1.35
UC 309-28	1-3/4											1.30
UC 310	50	110	61	32	22	39	12	M12 x 1.5	8.5			1.65
UC 310-29	1-13/16											1.97
UC 310-30	1-7/8	4.3307	2.4016	1.2598	0.866	1.535	0.472	1/2-20UNF	0.335	47580	35710	1.74
UC 310-31	1-15/16											1.68
UC 311	55	120	66	34	25	41	12	M12 x 1.5	9.2			2.07
UC 311-32	2											2.25
UC 311-33	2-1/16	4.7244	2.5984	1.3386	0.984	1.614	0.472	1/2-20UNF	0.362	55050	41910	2.18
UC 311-34	2-1/8											2.12
UC 311-35	2-3/16											2.04
UC 312	60	130	71	36	26	45	12	M12 x 1.5	9.8			2.60
UC 312-36	2-1/4											2.75
UC 312-37	2-5/16	5.1181	2.7953	1.4173	1.0236	1.772	0.472	1/2-20UNF	0.386	62880	48600	2.67
UC 312-38	2-3/8											2.58
UC 312-39	2-7/16											2.50
UC 316	80	170	86	44	34	52	14	M14 x 1.5	12.5			5.55
UC 316-49	3-1/16											5.72
UC 316-50	3-1/8	6.8929	3.3858	1.7323	1.339	2.047	0.551	9/16-18UNF	0.492	94570	80350	5.58
UC 316-51	3-3/16											5.49
UC 317	85	180	96	46	40	56	16	M16 x 1.5	13.1			6.67
UC 317-52	3-1/4											6.89
UC 317-53	3-5/16	7.0866	3.7795	1.8110	1.575	2.205	0.630	5/8-18UNF	0.516	102050	89520	3.67
UC 317-55	3-7/16											6.44
UC 318	90	190	96	48	40	56	16	M16 x 1.5	13.8			7.56
UC 318-55	3-7/16	7.4803	3.7795	1.8898	1.575	2.205	0.630	5/8-18UNF	0.543	110810	100760	7.85
UC 318-56	3-1/2											7.67
UC 319	95	200	103	50	41	62	16	M16 x 1.5	14.7			8.70
UC 319-58	3-5/8											9.03
UC 319-59	3-11/16	7.8740	4.0551	1.9585	1.614	2.441	0.630	5/8-18UNF	0.579	120510	103750	8.85
UC 319-60	3-3/4											8.66
UC 320	100	215	108	54	42	66	20	M18 x 1.5	15.7			11.18
UC 320-64	4	8.4646	4.2519	2.2160	1.6535	2.5984	0.7874		0.618	170630	137260	11.09



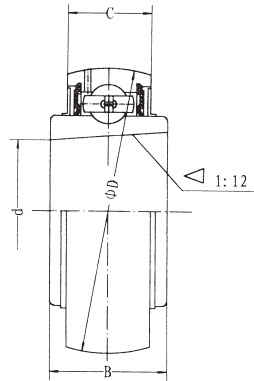
Bearing No.	Dimensions ^{mm} / _{inch}									Basic Load Rating (N)		Weight (kg)
	d	D	B	C	S	S ₁	G	d _s	F	Dynamic	Static	
UC X05	25	62	38.1	19	15.9	22.2	5	M6X1	5.0			
UC X05-13	¹³ / ₁₆											
UC X05-14	⁷ / ₈	2.4409	1.5000	0.7480	0.626	0.874	0.197	¹ / ₄ -28UNF	0.197	14970	10040	0.39
UC X05-15	¹⁵ / ₁₆											
UC X05-16	1											
UC X06	30	72	42.9	20	17.5	25.4	7	M8X1	5.7			
UC X06-17	¹⁻¹ / ₁₆	2.8346	1.6890	0.7874	0.689	1.000	0.276	⁵ / ₁₆ -24UNF	0.224	19750	13670	0.68
UC X06-18	¹⁻¹ / ₈											
UC X06-19	¹⁻³ / ₁₆											
UC X07	35	80	49.2	21	19	30.2	8	M8X1	6.2			
UC X07-21	¹⁻⁵ / ₁₆	3.1496	1.9370	0.8268	0.748	1.189	0.315	⁵ / ₁₆ -24UNF	0.244	22710	15940	0.82
UC X07-22	¹⁻³ / ₈											
UC X07-23	¹⁻⁷ / ₁₆											
UC X08	40	85	49.2	22	19	30.2	8	M8X1	6.4			
UC X08-24	¹⁻¹ / ₂	3.3465	1.9370	0.8661	0.748	1.189	0.315	⁵ / ₁₆ -24UNF	0.252	24360	17710	0.93
UC X08-25	¹⁻⁹ / ₁₆											
UC X09	45	90	51.6	24	19	32.6	10	M10X1	6.5			
UC X09-26	¹⁻⁵ / ₈	3.5433	2.0315	0.9449	0.748	1.283	0.394	³ / ₈ -24UNF	0.256	26980	19840	1.00
UC X09-27	¹⁻¹¹ / ₁₆											
UC X09-28	¹⁻³ / ₄											
UC X10	50	100	55.6	25	22.2	33.4	10	M10X1	7.0			
UC X10-30	¹⁻⁷ / ₈	3.9370	2.1890	0.9843	0.874	1.315	0.394	³ / ₈ -24UNF	0.276	33370	25110	1.35
UC X10-31	¹⁻¹⁵ / ₁₆											
UC X11	55	110	65.1	27	25.4	39.7	10	M10X1	7.6			
UC X11-33	²⁻¹ / ₁₆											
UC X11-34	²⁻¹ / ₈	4.3307	2.5630	1.0630	1.000	1.563	0.394	³ / ₈ -24UNF	0.299	36740	27970	1.90
UC X11-35	²⁻³ / ₁₆											
UC X12	60	120	65.1	28	25.4	39.7	10	M10X1	8.5			
UC X12-38	²⁻³ / ₈	4.3307	2.5630	1.1024	1.000	1.563	0.394	³ / ₈ -24UNF	0.335	44010	34180	2.27
UC X12-39	²⁻⁷ / ₁₆											
UC X13	65	125	74.6	29	30.2	44.4	12	M12X1.5	8.9			
UC X13-40	²⁻¹ / ₂	4.9213	2.9370	1.1417	1.189	1.748	0.472	¹ / ₂ -20UNF	0.350	46790	37590	2.45
UC X13-41	²⁻⁹ / ₁₆											
UC X14	70	130	77.8	30	33.3	44.5	12	M12X1.5	9.2			
UC X14-42	²⁻³ / ₈											
UC X14-43	²⁻¹¹ / ₁₆	5.1181	3.0630	1.1811	1.311	1.752	0.472	¹ / ₂ -20UNF	0.362	50850	41260	2.47
UC X14-44	²⁻³ / ₄											
UC X15	75	140	82.6	32	33.3	49.3	12	M12X1.5	9.5			
UC X15-45	²⁻¹³ / ₁₆											
UC X15-46	²⁻⁷ / ₈	5.5118	3.2520	1.2598	1.311	1.9409	0.472	¹ / ₂ -20UNF	0.374	55040	45090	3.11
UC X15-47	²⁻¹⁵ / ₁₆											
UC X15-48	3											
UC X16	80	150	85.7	34	34.1	51.6	12	M12X1.5	10.2			
UC X16-49	³⁻¹ / ₁₆	5.9055	3.3740	1.3386	1.343	2.031	0.472	¹ / ₂ -20UNF	0.402	64010	53280	3.79
UC X16-50	³⁻¹ / ₈											
UC X16-51	³⁻³ / ₁₆											
UC X17	85	160	96	36	39.7	56.3	12	M12X1.5	11.2			
UC X17-53	³⁻⁵ / ₁₆	6.2992	3.7795	1.4173	1.5630	2.217	0.472	¹ / ₂ -20UNF	0.441	73830	60760	4.82
UC X17-55	³⁻⁷ / ₁₆											

NA 2 (normal-duty)

Ball Bearings
(with eccentric locking collar)

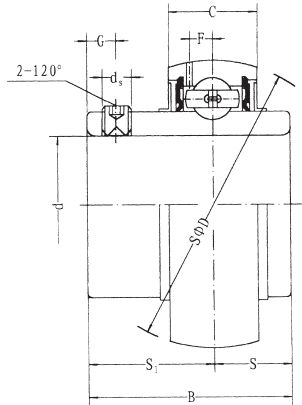


Bearing No.	Dimensions ^{mm} _{inch}											Basic Load Rating (N)		Weight (kg)
	d	D	B ₁	B	C	S	D _s	G	B ₅	d ₃	F	Dynamic	Static	
NA 204	20	47	43.7	34.2	17	17.1	M6 X 1	4.8	13.5	33.3	3.7	9880	6200	0.23
NA 204-12	3/4	1.8504	1.720	1.3465	0.6693	0.673	1/4-28UNF	0.189	0.531	1.311	0.146			0.23
NA 205	25	52	44.4	34.9	17	17.5	M6 X 1	4.8	13.5	38.1	3.9			0.27
NA 205-13	13/16													0.32
NA 205-14	7/8													0.31
NA 205-15	15/16	2.0472	1.748	1.3740	0.6693	0.689	1/4-28UNF	0.189	0.531	1.500	0.154	10780	6980	0.29
NA 205-16	1													0.27
NA 206	30	62	48.4	36.5	19	18.3	M8 X 1	6	15.9	44.5	5.0			0.45
NA 206-17	1-1/16													0.50
NA 206-18	1-1/8	2.4409	1.906	1.4370	0.7480	0.720	5/16-24UNF	0.236	0.626	1.752	0.197	14970	10040	0.47
NA 206-19	1-3/16													0.45
NA 206-20	1-1/4													0.42
NA 207	35	72	51.1	37.6	20	18.8	M8 X 1	6.8	17.5	55.6	5.7			0.60
NA 207-20	1-1/4													0.67
NA 207-21	1-5/16	2.8346	2.012	1.4803	0.7874	0.740	5/16-24UNF	0.268	0.689	2.189	0.224	19750	13670	0.63
NA 207-22	1-3/8													0.60
NA 207-23	1-7/16													0.57
NA 208	40	80	56.3	42.8	21	21.4	M8 X 1	6.8	18.3	60.3	6.2			0.79
NA 208-24	1-1/2	3.1496	2.217	1.6850	0.8268	0.843	5/16-24UNF	0.268	0.720	2.374	0.244	22710	15940	0.84
NA 208-25	1-9/16													0.80
NA 209	45	85	56.3	42.8	22	21.4	M8 X 1	6.8	18.3	63.5	6.4			0.85
NA 209-26	1-5/8													0.96
NA 209-27	1-11/16	3.3465	2.217	1.6850	0.8661	0.843	5/16-24UNF	0.268	0.720	2.5000	0.252	24360	17710	0.91
NA 209-28	1-3/4													0.87
NA 210	50	90	62.7	49.2	24	24.6	M8 X 1	6.8	18.3	69.9	6.5			0.99
NA 210-29	1-13/16													1.14
NA 210-30	1-7/8	3.5433	2.469	1.9370	0.9449	0.969	5/16-24UNF	0.268	0.720	2.752	0.256	26980	19840	1.08
NA 210-31	1-15/16													1.02
NA 210-32	2													0.96
NA 211	55	100	71.4	55.5	25	27.8	M10 X 1	8	20.7	76.2	7.0			1.32
NA 211-32	2													1.52
NA 211-33	2-1/16	3.9370	2.811	2.1850	0.9843	1.094	3/8-24UNF	0.315	0.815	3.000	0.276	33370	25110	1.44
NA 211-34	2-1/8													1.37
NA 211-35	2-3/16													1.29
NA 212	60	110	77.8	61.9	27	31	M10 X 1	8	22.3	84.2	7.6			1.88
NA 212-36	2-1/4													2.04
NA 212-37	2-5/16	4.3307	3.063	2.4370	1.0630	1.220	3/8-24UNF	0.315	0.878	3.315	0.299	36740	27970	1.95
NA 212-38	2-3/8													1.90
NA 212-39	2-7/16													1.77
NA 213	65	120	85.7	68.6	28	34.1	M10 X 1	8.5	23.5	86	8.5			2.41
NA 213-40	2-1/2	4.7244	3.374	2.7008	1.1024	1.343	3/8-24UNF	0.335	0.925	3.386	0.335	44010	34180	2.51
NA 213-41	2-9/16													2.40
NA 214	70	125	85.7	68.6	29	34.1	M10 X 1	8.5	23.5	90	8.9			2.55
NA 214-42	2-3/8													2.79
NA 214-43	2-11/16	4.9213	3.374	2.7008	1.1417	1.343	3/8-24UNF	0.335	0.925	3.543	0.350	46790	37590	2.68
NA 214-44	2-3/4													2.56
NA 215	75	130	92.1	75	30	37.3	M10 X 1	8.5	23.5	102	9.2			2.84
NA 215-45	2-13/16													3.14
NA 215-46	2-7/8	5.1181	3.626	2.9528	1.1811	1.469	3/8-24UNF	0.335	0.925	4.016	0.362	50850	41260	3.01
NA 215-47	2-15/16													2.88
NA 215-48	3													2.74



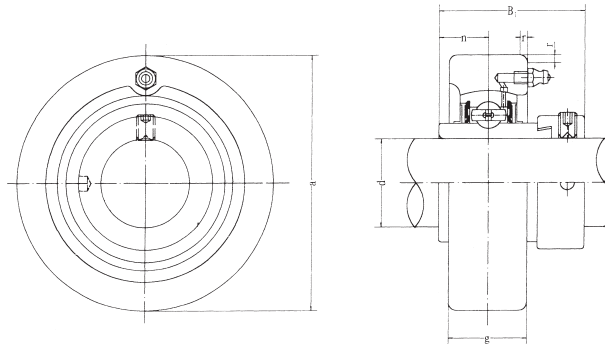
Bearing No.	Dimensions ^{mm} / _{inch}				Basic Load Rating (N)		Weight (kg)
	d	D	B	C	Dynamic	Static	
UK 205	25	52	23	17	10780	6980	0.25
	0.9843	2.0472	0.9055	0.6693			
UK 206	30	62	26	19	14970	10040	0.36
	1.1811	2.4409	1.0236	0.7480			
UK 207	35	72	29	20	19750	13670	0.57
	1.3780	2.8346	1.1417	0.7874			
UK 208	40	80	31	21	22710	15940	0.74
	1.5748	3.1496	1.2205	0.8268			
UK 209	45	85	31	22	24360	17710	0.83
	1.7717	3.3465	1.2205	0.8661			
UK 210	50	90	32	24	26980	19840	0.97
	1.96685	3.5433	1.2598	1.2598			
UK 211	55	100	35	25	33370	25110	1.26
	2.1654	3.9370	1.3780	0.9843			
UK 212	60	110	38	27	36740	27970	1.59
	2.3622	4.3307	1.4961	1.0630			
UK 213	65	120	40	25	36740	27970	1.59
	2.3622	4.3307	1.4961	1.0630			
UK 213	65	120	40	28	44010	34180	1.76
	2.5591	4.7244	1.5748	1.1024			
UK 215	75	130	44	30	50850	41260	2.32
	2.9528	5.1181	1.7323	1.1811			
UK 216	80	140	45	32	55040	45090	3.06
	3.1496	5.5118	1.7717	1.2598			
UK 217	85	150	46	34	64010	53280	3.88
	3.3465	5.9055	1.18110	1.3386			
UK 218	90	160	47	36	73830	60760	4.74
	3.5433	6.2992	1.8504	1.4173			

UC2 (normal-duty)



Bearing No.	Dimensions ^{mm} _{inch}									Basic Load Rating (N)		Weight (kg)
	d	D	B	C	S	S ₁	G	d _s	F	Dynamic	Static	
*UC 201	12	47	31	17	12.7	18.3	4.8	M6 x 1	3.7			0.20
*UC 201-8	3/4	1.8504	1.2205	0.6693	0.500	0.720	0.189	1/4-28UNF	0.146	9880	6200	0.19
*UC 202	15	47	31	17	12.7	18.3	4.8	M6 x 1	3.7			0.19
*UC 202-9	9/16	1.8504	1.2205	0.6693	0.500	0.720	0.189	1/4-28UNF	0.146	9880	6200	0.19
*UC 202-10	5/8											0.19
*UC 203	17	47	31	17	12.7	18.3	4.8	M6 x 1	3.7			0.18
*UC 203-11	1 1/16	1.8504	1.2205	0.6693	0.500	0.720	0.189	1/4-28UNF	0.146	9800	6200	0.17
*UC 204	20	47	31	17	12.7	18.3	4.8	M6 x 1	3.7			0.16
*UC 204-12	3/4	1.8504	1.2205	0.6693	0.500	0.720	0.189	1/4-28UNF	0.146	9800	6200	0.16
*UC 205	25	52	34.1	17	14.3	19.8	5	M6 x 1	3.9			0.20
*UC 205-13	1 3/16											0.24
*UC 205-14	7/8	2.00472	1.3425	0.6693	0.563	0.780	0.197	1/4-28UNF	0.154	10780	6980	0.23
*UC 205-15	1 5/16											0.21
*UC 205-16	1											0.20
*UC 206	30	62	38.1	19	15.9	22.2	5	M6 x 1	5.0			0.32
*UC 206-17	1-1/16											0.33
*UC 206-18	1-1/8	2.4409	1.5000	0.7480	0.626	0.874	0.197	1/4-28UNF	0.197	14970	10040	0.34
*UC 206-19	1-3/16											0.32
*UC 206-20	1-1/4											0.31
*UC 207	35	72	42.9	20	17.5	25.4	7	M8 x 1	5.7			0.48
*UC 207-20	1-1/4											0.54
*UC 207-21	1-5/16	2.8346	1.6890	0.7874	0.689	1.000	0.276	5/16-24UNF	0.224	19750	13670	0.51
*UC 207-22	1-3/8											0.48
*UC 207-23	1-7/16											0.45
*UC 208	40	80	49.2	21	19	30.2	8	M8 x 1	6.2			0.64
*UC 208-24	1-1/2	3.1496	1.9370	0.8268	0.748	1.189	0.315	5/16-24UNF	0.244	22710	15940	0.68
*UC 208-25	1-9/16											0.65
*UC 209	45	85	49.2	22	19	30.2	8	M8 x 1	6.4			0.68
*UC 209-26	1-5/8											0.78
*UC 209-27	1-11/16	3.3465	1.9370	0.8661	0.748	1.189	0.315	5/16-24UNF	0.252	24360	17710	0.74
*UC 209-28	1-3/4											0.70
*UC 210	50	90	51.6	24	19	32.6	10	M10 x 1	6.5			0.80
*UC 210-29	1-13/16											0.92
*UC 210-30	1-7/8	3.5433	2.0315	0.9449	0.748	1.283	0.394	3/8-24UNF	0.256	26980	19840	0.87
*UC 210-31	1-15/16											0.82
*UC 210-32	2											0.78
*UC 211	55	100	55.6	25	22.2	33.4	10	M10 x 1	7.0			1.11
*UC 211-32	2											1.26
*UC 211-33	2-1/16											1.20
*UC 211-34	2-1/8	3.9370	2.1890	0.9843	0.874	1.315	0.394	3/8-24UNF	0.276	33370	25110	1.15
*UC 211-35	2-3/16											1.09
*UC 212	60	110	65.1	27	25.4	39.7	10	M10 x 1	7.6			1.54
*UC 212-36	2-1/4											1.67
*UC 212-37	2-9/16	4.3307	2.5630	1.0630	1.000	1.563	0.394	3/8-24UNF	0.299	36740	27970	1.59
*UC 212-38	2-3/8											1.52
*UC 212-39	2-7/16											1.45
UC 213	65	120	65.1	28	25.4	39.7	10	M10 x 1	8.5			1.85
UC 213-40	2-1/2	4.3307	2.5630	1.1024	1.000	1.563	0.394	3/8-24UNF	0.335	44010	34180	1.94
UC 213-41	2-9/16											1.85
UC 214	70	125	74.6	29	30.2	44.4	12	M12 x 1.5	8.9			2.05
UC 214-42	2-3/8									46790	37590	2.26
UC 214-43	2-11/16	4.9213	2.9370	1.1417	1.189	1.748	0.472	7/16-20UNF	0.350			2.16
UC 214-44	2-3/4											2.06
UC 215	75	130	77.8	30	33.3	44.5	12	M12 x 1.5	9.2			2.21
UC 215-45	2-13/16											2.46
UC 215-46	2-7/8	5.1181	3.0630	1.1811	1.311	1.752	0.472	7/16-20UNF	0.362	50850	41260	2.35
UC 215-47	2-15/16											2.24
UC 215-48	3											2.12
UC 216	80	140	82.6	32	33.3	49.3	12	M12 x 1.5	9.5			2.80
UC 216-49	3-1/16									55040	45090	2.98
UC 216-50	3-1/8	5.5118	3.2520	1.2598	1.311	1.9409	0.472	7/16-20UNF	0.374			2.85
UC 216-51	3-3/16											2.72
UC 217	85	150	85.7	34	34.1	51.6	12	M12 x 1.5	10.2			3.46
UC 217-52	3-1/4									64010	53280	3.68
UC 217-53	3-5/16	5.9055	3.3740	1.3386	1.343	2.031	0.472	7/16-20UNF	0.402			3.54
UC 217-55	3-7/16											3.25
UC 218	90	160	96	36	39.7	56.3	12	M12 x 1.5	11.2			4.36
UC 218-56	3-1/2	6.2992	3.7795	1.4173	1.5630	2.217	0.472	1/2-20UNF	0.441	73830	60760	4.47

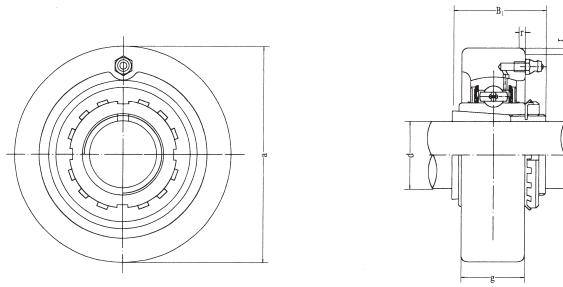
* Add SS in front of the bearing no. for stainless steel bearing. (Eg. SSUC 205)



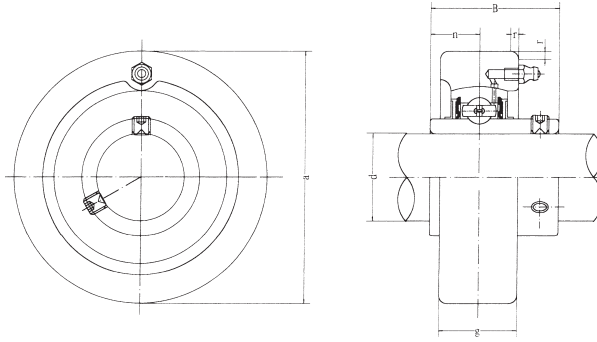
Unit No.	Dimensions ^{mm} / _{inch}						Bearing No.	Housing No.	Weight (kg)
	d	a	g	r	B	n			
NAC 204	20	72	20	2	43.7	17.1	NA 204	C204	0.55
NAC 204-12	3/4	2.8346	25/32	0.079	1.720	0.673	NA 204-12		0.55
NAC 205	25	80	22	2	44.4	17.5	NA 205	C205	0.70
NAC 205-13	13/16						NA 205-13		0.75
NAC 205-14	7/8	3.1496	55/64	0.079	1.748	0.689	NA 205-14		0.74
NAC 205-15	15/16						NA 205-15		0.72
NAC 205-16	1						NA 205-16		0.70
NAC 206	30	85	27	2	48.4	18.3	NA 206	C206	0.93
NAC 206-17	1-1/16						NA 206-17		0.98
NAC 205-18	1-1/8	3.3465	1-1/16	0.079	1.906	0.720	NA 206-18		0.95
NAC 206-19	1-3/16						NA 206-19		0.93
NAC 206-20	1-1/4						NA 206-20		0.90
NAC 207	35	90	28	2	51.1	18.8	NA 207	C207	1.05
NAC 207-20	1-1/4						NA 207-20		1.12
NAC 207-21	1-5/16	3.5433	1-7/64	0.079	2.012	0.740	NA 207-21		1.08
NAC 207-22	1-3/8						NA 207-22		1.05
NAC 207-23	1-7/16						NA 207-23		1.02
NAC 208	40	100	30	2.5	56.3	21.4	NA 208	C208	1.37
NAC 208-24	1-1/2	3.9370	1-3/16	0.098	2.217	0.843	NA 208-24		1.42
NAC 208-25	1-9/16						NA 208-25		1.38
NAC 209	45	110	31	2.5	56.3	21.4	NA 209	C209	1.66
NAC 209-26	1-5/8						NA 209-26		1.77
NAC 209-27	1-11/16	4.3307	1-7/32	0.098	2.217	0.843	NA 209-27		1.72
NAC 209-28	1-3/4						NA 209-28		1.68
NAC 210	50	120	33	2.5	62.7	24.6	NA 210	C210	2.09
NAC 210-29	1-13/16						NA 210-29		2.24
NAC 210-30	1-7/8	4.7244	1-19/64	0.098	2.469	0.969	NA 210-30		2.18
NAC 210-31	1-15/16						NA 210-31		2.12
NAC 210-32	2						NA 210-32		2.06
NAC 211	55	125	35	2.5	71.4	27.8	NA 211	C211	2.39
NAC 211-32	2						NA 211-32		2.59
NAC 211-33	2-1/16	4.9213	1-3/8	0.098	2.811	1.094	NA 211-33		2.51
NAC 211-34	2-1/8						NA 211-34		2.44
NAC 211-35	2-3/16						NA 211-35		2.36
NAC 212	60	130	38	2.5	77.8	31	NA 212	C212	2.86
NAC 212-36	2-1/4						NA 212-36		3.02
NAC 212-37	2-5/16	5.1181	1-1/2	0.098	3.063	1.220	NA 212-37		2.93
NAC 212-38	2-3/8						NA 212-38		2.88
NAC 212-39	2-7/16						NA 212-39		2.75

**Cartridge Units
(Adapter mounted)**

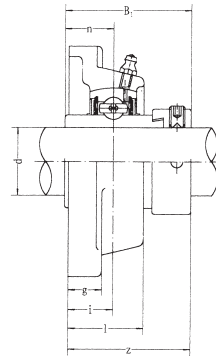
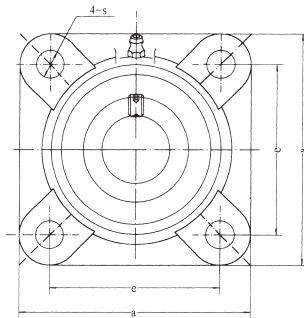
UKC 2 (normal-duty)



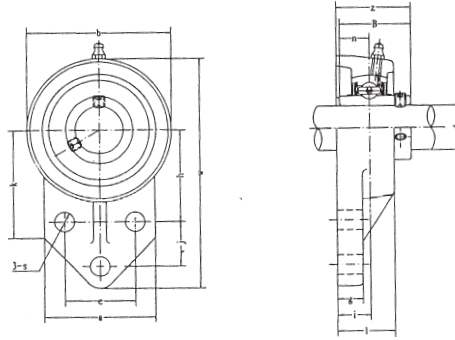
Unit No.	Dimensions ^{mm} / _{inch}					Bearing No.	Housing No.	No.	Weight (kg)
	d	a	g	r	B ₁				
UKC 205	20	80	22	2	35	UK 205	C205	H305 HE305	0.68
	³ / ₄	3.1496	⁵⁵ / ₆₄	0.079	1.378				
UKC 206	25	85	27	2	38	UK 206	C206	H306 HS306 HE306	0.84
	⁷ / ₈	3.3465	1- ¹ / ₁₆	0.079	1.496				
	1								
UKC 207	30	90	28	2	43	UK 207	C207	H307 HS307	1.02
	1- ¹ / ₈	3.5433	1- ⁷ / ₆₄	0.079	1.693				
UKC 208	35	100	30	2.5	46	UK 208	C208	H308 HE308 HS308	1.32
	1- ¹ / ₄	3.9370	1- ³ / ₁₆	0.098	1.811				
	1- ³ / ₈								
UKC 209	40	110	31	2.5	50	UK 209	C209	H309 HA309 HE309 HS309	1.64
	1- ⁷ / ₁₆								
	1- ¹ / ₂	4.3307	1- ⁷ / ₃₂	0.098	1.969				
	1- ⁵ / ₈								
UKC 210	45	120	33	2.5	55	UK 210	C210	H310 HS310 HA310 HE310	2.07
	1- ⁵ / ₈								
	1- ¹¹ / ₁₆	4.7244	1- ¹⁹ / ₆₄	0.098	2.165				
	1- ³ / ₄								
UKC 211	50	125	35	2.5	59	UK 211	C211	H311 HS311 HA311 HE311	2.33
	1- ⁷ / ₈								
	1- ¹⁵ / ₁₆	4.9213	1- ³ / ₈	0.098	2.323				
	2								
UKC 212	55	130	38	2.5	62	UK 212	C212	H312 HS312	2.57
	2- ¹ / ₈	5.1181	1- ¹ / ₂	0.098	2.441				
UKC 213	60	140	40	3	65	UK 213	C213	H313 HA313 HE313 HS313	2.89
	2- ³ / ₁₆								
	2- ¹ / ₄	5.5118	1- ³⁷ / ₆₄	0.118	2.559				
	2- ³ / ₈								



Unit No.	Dimensions ^{mm} / _{inch}						Bearing No.	Housing No.	Weight (kg)
	d	a	g	r	B	n			
UCC 201	12	72	20	2	31	12.7	UC 201	C204	0.52
UCC 201-8	3/4	2.8346	25/32	0.079	1.2205	0.500	UC 201-8		0.51
UCC 202	15	72	20	2	31	12.7	UC 202	C204	0.51
UCC 202-9	9/16	2.8346	25/32	0.079	1.2205	0.500	UC 202-9		0.51
UCC 202-10	5/8						UC 202-10		0.51
UCC 203	17	72	20	2	31	12.7	UC 203	C204	0.50
UCC 203-11	11/16	2.8346	25/32	0.079	1.2205	0.500	UC 203-11		0.49
UCC 204	20	72	20	2	31	12.7	UC 204	C204	0.48
UCC 204-12	3/4	2.8346	25/32	0.079	1.2205	0.500	UC 204-12		0.48
UCC 205	25	80	22	2	34.1	14.3	UC 205	C205	0.63
UCC 205-13	13/16						UC 205-13		0.67
UCC 205-14	7/8	3.1496	55/64	0.079	1.3425	0.563	UC 205-14		0.66
UCC 205-15	15/16						UC 205-15		0.64
UCC 205-16	1						UC 205-16		0.63
UCC 206	30	85	27	2	38.1	15.9	UC 206		0.80
UCC 206-17	1-1/16						UC 206-17	0.83	
UCC 206-18	1-1/8	3.3465	1-1/16	0.079	1.5000	0.626	UC 206-18	C206	0.82
UCC 206-19	1-3/16						UC 206-19		0.80
UCC 206-20	1-1/4						UC 206-20		0.79
UCC 207	35	90	28	2	42.9	17.5	UC 207		0.93
UCC 207-20	1-1/4						UC 207-20	0.99	
UCC 207-21	1-5/16	3.5433	1-7/64	0.079	1.6890	0.689	UC 207-21	C207	0.96
UCC 207-22	1-3/8						UC 207-22		0.93
UCC 207-23	1-7/16						UC 207-23		0.90
UCC 208	40	100	30	2.5	49.2	19	UC 208	C208	1.22
UCC 208-24	1-1/2	3.9370	1-3/16	0.098	1.9370	0.748	UC 208-24		1.26
UCC 208-25	1-9/16						UC 208-25		1.23
UCC 209	45	110	31	2.5	49.2	19	UC 209	C209	1.49
UCC 209-26	1-5/8						UC 209-26		1.59
UCC 209-27	1-11/16	4.3307	1-7/32	0.098	1.9370	0.748	UC 209-27		1.55
UCC 209-28	1-3/4						UC 209-28		1.51
UCC 210	50	120	33	2.5	51.6	19	UC 210		1.90
UCC 210-29	1-13/16						UC 210-29	2.02	
UCC 210-30	1-7/8	4.7244	1-19/64	0.098	2.0315	0.748	UC 210-30	C210	1.97
UCC 210-31	1-15/16						UC 210-31		1.92
UCC 210-32	2						UC 210-32		1.88
UCC 211	55	125	35	2.5	55.6	22.2	UC 211	C211	2.18
UCC 211-32	2						UC 211-32		2.33
UCC 211-33	2-1/16	4.9213	1-3/8	0.098	2.1890	0.874	UC 211-33		2.27
UCC 211-34	2-1/8						UC 211-34		2.22
UCC 211-35	2-3/16						UC 211-35		2.16
UCC 212	60	130	38	2.5	65.1	25.4	UC 212		2.52
UCC 212-36	2						UC 212-36	2.65	
UCC 212-37	2-1/16	5.1181	1-1/2	0.098	2.5630	1.000	UC 212-37	C212	2.57
UCC 212-38	2-1/8						UC 212-38		2.50
UCC 212-39	2-3/16						UC 212-39		2.43
UCC 213	65	140	40	3	65.1	25.4	UC 213	C213	2.98
UCC 213-40	2-1/2	5.5118	1-37/64	0.118	2.5630	1.000	UC 213-40		3.07
UCC 213-41	2-9/16						UC 213-41		2.98

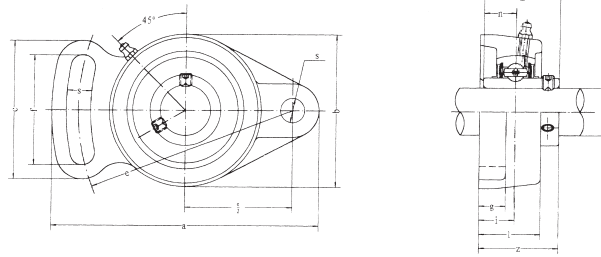


Unit No.	Dimensions <small>mm inch</small>										Bolt Size <small>mm inch</small>	Bearing No.	Housing No.	Weight (kg)
	d	h	a	e	b	S ₁	S ₂	g	B	n				
NAF 204	20	86	64	15	12	25.5	12	41.6	43.7	17.1	M10	NA 204	F204	0.63
NAF 204-12	3/4	3-3/8	2-33/64	19/32	15/32	1	15/32	1-41/64	1.720	0.673	3/8	NA 204-12		0.63
NAF 205	25	95	70	16	14	27	12	42.9	44.4	17.5	M10	NA 205		0.87
NAF 205-13	13/16											NA 205-13		0.92
NAF 205-14	7/8	3-3/4	2-3/4	5/8	35/64	1-1/16	15/32	1-11/16	1.748	0.689	3/8	NA 205-14	F205	0.91
NAF 205-15	15/16											NA 205-15		0.89
NAF 205-16	1											NA 205-16		0.87
NAF 206	30	108	83	18	14	31	12	48.1	48.4	18.3	M10	NA 206		1.25
NAF 206-17	1-1/16											NA 206-17		1.30
NAF 206-18	1-1/8	4-1/4	3-17/64	45/64	35/64	1-7/32	15/32	1-57/64	1.906	0.720	3/8	NA 206-18	F206	1.27
NAF 206-19	1-3/16											NA 206-19		1.25
NAF 206-20	1-1/4											NA 206-20		1.24
NAF 207	35	117	92	19	16	34	14	51.3	51.1	18.8	M12	NA 207		1.58
NAF 207-20	1-1/4											NA 207-20		1.65
NAF 207-21	1-5/16	4-39/64	3-5/8	3/4	5/8	1-11/32	35/64	2-1/64	2.012	0.740	7/16	NA 207-21	F207	1.61
NAF 207-22	1-3/8											NA 207-22		1.58
NAF 207-23	1-7/16											NA 208-23		1.55
NAF 208	40	130	102	21	16	36	16	55.9	56.3	21.4	M14	NA 208		1.99
NAF 208-24	1-1/2	5-1/8	4-1/64	53/64	5/8	1-27/32	5/8	2-13/64	2.217	0.843	1/2	NA 208-24	F208	2.04
NAF 208-25	1-9/16											NA 208-25		2.00
NAF 209	45	137	105	22	18	38	16	56.9	56.3	21.4	M14	NA 209		2.32
NAF 209-26	1-5/8											NA 209-26	F209	2.43
NAF 209-27	1-11/16	5-13/32	4-9/64	55/64	55/64	1-1/2	5/8	2-15/64	2.217	0.843	1/2	NA 209-27		2.38
NAF 209-28	1-3/4											NA 209-28		2.34
NAF 210	50	143	111	22	18	40	16	60.1	62.7	24.6	M14	NA 210		2.61
NAF 210-29	1-13/16											NA 210-29		2.76
NAF 210-30	1-7/8	5-5/8	4-3/8	55/64	23/32	1-9/16	5/8	2-3/8	2.469	0.969	1/2	NA 210-30	F210	2.70
NAF 210-31	1-15/16											NA 210-31		2.64
NAF 210-32	2											NA 210-32		2.58
NAF 211	55	162	130	25	20	43	19	68.6	71.4	27.8	M16	NA 211		3.52
NAF 211-32	2											NA 211-32		3.72
NAF 211-33	2-1/16	6-3/8	5-1/8	63/64	25/32	1-11/16	3/4	2-45/64	2.811	1.094	5/8	NA 211-33	F211	3.64
NAF 211-34	2-1/8											NA 211-34		3.57
NAF 211-35	2-3/16											NA 211-35		3.49
NAF 212	60	175	143	29	20	48	19	75.8	77.8	31	M16	NA 212		4.62
NAF 212-36	2-1/4											NA 212-36		4.78
NAF 212-37	2-5/16	6-57/64	5-5/8	1-9/64	25/32	1-57/64	3/4	2-53/64	3.063	1.200	5/8	NA 212-37	F212	4.69
NAF 212-38	2-3/8											NA 212-38		4.64
NAF 212-39	2-7/16											NA 212-39		4.51
NAF 213	65	187	149	30	22	50	19	81.6	85.7	34.1	M16	NA 213		5.55
NAF 213-40	2-1/2	7-23/64	5-55/64	1-3/16	55/64	1-31/32	3/4	3-7/32	3.374	1.343	5/8	NA 213-40	F213	5.65
NAF 213-41	2-9/16											NA 213-41		5.54
NAF 214	70	193	152	31	22	54	19	82.6	86.7	34.1	M16	NA 214		6.35
NAF 214-42	2-3/8											NA 214-42		6.59
NAF 214-43	2-11/16	7-19/32	5-53/64	1-7/32	55/64	2-1/8	3/4	3-1/4	3.374	1.343	5/8	NA 214,43	F214	6.48
NAF 214-44	2-3/4											NA 214-44		6.36
NAF 215	75	200	159	34	22	56	19	88.8	92.1	37.3	M16	NA 215		7.54
NAF 215-45	2-13/16											NA 215-45		7.84
NAF 215-46	2-7/8	7-7/8	6-17/64	1-11/32	55/64	2-7/32	3/4	3-1/2	3.626	1.426	5/8	NA 215-46	F215	7.71
NAF 215-47	2-15/16											NA 215-47		7.58
NAF 215-48	3											NA 215-48		7.44

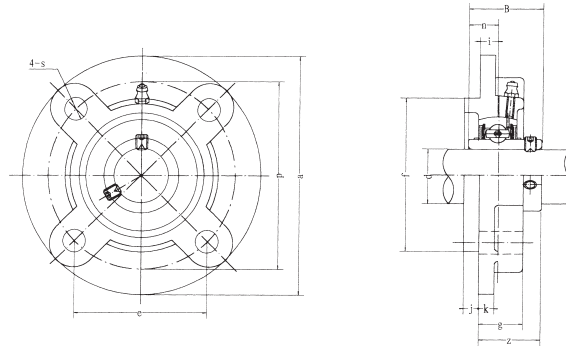


Unit No.	Dimensions ^{mm} / _{inch}															Bolt Size ^{mm} / _{inch}	Bearing No.	Housing No.	Weight (kg)
	d	w	b	k	a	l	S	g	h	j	e	i	z	B	n				
UCFB 201	12	110	62	52	52	25.5	10	13	42	27	32	15	33.3	31	12.7	M8	UC 201		0.58
UCFB 201-8	3/4																UC 201-8		0.57
UCFB 202	15																UC 202		0.57
UCFB 202-9	9/16																UC 202-9		0.57
UCFB 202-10	5/8	4-11/32	2-7/16	2-1/16	2-1/16	1	25/64	1/2	1-21/32	1-1/16	1-17/64	19/32	1-5/16	1.2205	0.500	5/16	UC 202-10	FB204	0.57
UCFB 203	17																UC 203		0.56
UCFB 203-11	11/16																UC 203-11		0.55
UCFB 204	20																UC 204		0.54
UCFB 204-12	3/4																UC 204-12		0.54
UCFB 205	25	116	68	52	56	27	10	13	45	27	34	16	35.8	34.1	14.3	M8	UC 205		0.79
UCFB 205-13	13/16																UC 205-13		0.83
UCFB 205-14	7/8	4-9/16	2-11/16	2-1/16	2-7/32	1-1/16	25/64	1/2	1-49/64	1-1/16	1-11/32	5/8	1-13/32	1.3425	0.563	5/16	UC 205-14	FB205	0.82
UCFB 205-15	15/16																UC 205-15		0.80
UCFB 205-16	1																UC 205-16		0.79
UCFB 206	30	130	78	55	65	31	10	13	50	29	40	18	40.2	38.1	15.9	M8	UC 206		0.95
UCFB 206-17	1-1/16																UC 206-17		0.98
UCFB 206-18	1-1/8	5-1/8	3-1/16	2-5/32	2-9/16	1-7/32	25/64	1/2	1-31/32	1-9/64	1-37/64	45/64	1-19/32	1.5000	0.626	5/16	UC 206-18	FB206	0.97
UCFB 206-19	1-3/16																UC 206-19		0.95
UCFB 206-20	1-1/4																UC 206-20		0.94
UCFB 207	35	144	90	62	70	34	10	15	55	32	46	19	44.4	42.9	17.5	M8	UC 207		1.29
UCFB 207-20	1-1/4																UC 207-20		1.35
UCFB 207-21	1-5/16	5-21/32	3-35/64	2-7/16	2-3/4	1-11/32	25/64	19/32	2-11/64	1-17/64	1-13/16	3/4	1-3/4	1.6890	0.689	5/16	UC 207-21	FB207	1.32
UCFB 207-22	1-3/8																UC 207-22		0.29
UCFB 207-23	1-7/16																UC 207-23		1.26
UCFB 208	40	164	100	72	78	36	12	16	60	41	50	21	51.2	49.2	19	M10	UC 208		1.78
UCFB 208-24	1-1/2	6-15/32	3-15/16	2-27/32	3-1/16	1-13/32	15/32	5/8	2-23/64	1-39/64	1-31/32	53/64	2-1/64	1.9370	0.748	3/8	UC 208-24	FB208	1.82
UCFB 208-25	1-9/16																UC 208-25		1.79
UCFB 209	45	174	106	76	80	38	12	18	65	43	54	22	52.2	49.2	19	M10	UC 209		1.91
UCFB 209-26	1-5/8																UC 209-26	FB209	2.01
UCFB 209-27	1-11/16	6-27/32	4-3/16	3	3-5/32	1-1/2	15/32	23/32	2-9/16	1-11/16	2-1/8	55/64	2-1/16	1.9370	0.748	3/8	UC 209-27		1.97
UCFB 209-28	1-3/4																UC 209-28		1.93
UCFB 210	50	184	112	82	86	40	12	18	68	46	58	22	54.6	51.6	19	M10	UC 210		2.36
UCFB 210-29	1-13/16																UC 210-29		2.48
UCFB 210-30	1-7/8	7-1/4	4-13/32	3-7/32	3-3/8	1-37/64	15/32	23/32	2-43/64	1-13/16	2-9/32	55/64	2-5/32	2.0315	0.748	3/8	UC 210-30	FB210	2.43
UCFB 210-31	1-15/16																UC 210-31		2.38
UCFB 210-32	2																UC 210-32		2.34
UCFB 211	55	207	130	86	90	43	14	18	78	50	62	25	58.4	55.6	22.2	M12	UC 211		3.15
UCFB 211-32	2																UC 211-32	FB211	3.31
UCFB 211-33	2-1/16																UC 211-33		3.25
UCFB 211-34	2-1/8	8-5/32	5-1/8	3-25/64	3-25/64	1-11/16	35/64	45/64	3-5/64	1-31/32	2-7/16	63/64	2-5/16	2.1890	0.874	7/16	UC 211-34		3.20
UCFB 211-35	2-3/16																UC 211-35		3.14
UCFB 212	60	223	140	90	94	48	14	18	84	55	66	29	68.7	65.1	25.4	M12	UC 212		3.99
UCFB 212-36	2-1/4																UC 212-36	FB212	4.12
UCFB 212-37	2-5/16	8-25/32	5-1/2	3-35/64	3-45/64	1-7/8	35/64	45/64	3-5/16	2-11/64	2-19/32	1-9/64	2-23/32	2.5630	1.000	7/16	UC 212-37		4.04
UCFB 212-38	2-3/8																UC 212-38		3.97
UCFB 212-39	2-7/16																UC 212-39		3.90
UCFB 213	65	244	155	94	100	50	14	20	92	60	70	30	69.7	65.1	25.4	M12	UC 213		5.15
UCFB 213-40	2-1/2	9-39/64	6-7/64	3-45/64	3-15/16	1-31/32	35/64	25/32	3-5/8	2-23/64	2-3/4	1-3/16	2-3/4	2.5630	1.000	7/16	UC 213-40	FB213	5.32
UCFB 214-41	2-9/16																UC 213-41		5.02

UCFA 2 (normal-duty)



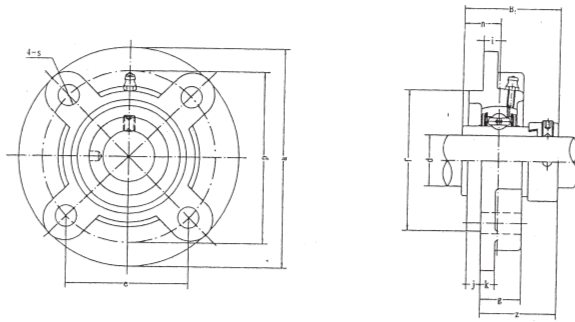
Unit No.	Dimensions <small>mm inch</small>													Bolt Size <small>mm inch</small>	Bearing No.	Housing No.	Weight (kg)
	d	a	e	i	q	l	S	b	z	f	c	B	n				
UCFA 201	12	98	78	15	12	25.5	10	60	33.3	40	50	31	12.7	M8	UC 201	FA204	0.50
UCFA 201-8	3/4														UC 201-8		0.49
UCFA 202	15														UC 202		0.49
UCFA 202-9	9/16														UC 202-9		0.49
UCFA 202-10	5/8	3-55/64	3-5/64	19/32	15/32	1	25/64	2-3/8	1-5/16	1-37/64	1-31/32	1.2205	0.500	5/16	UC 202-10		0.49
UCFA 203	17														UC 203		0.48
UCFA 203-11	11/16														UC 203-11		0.47
UCFA 204	20														UC 204		0.46
UCFA 204-12	3/4														UC 204-12		0.46
UCFA 205	25	124	98	16	14	27	13	70	35.8	51	65	34.1	14.3	M10	UC 205	FA205	0.66
UCFA 205-13	13/16														UC 205-13		0.70
UCFA 205-14	7/8	4-7/8	3-55/64	5/8	35/64	1-1/16	33/64	2-3/4	1-13/32	2-1/64	2-9/16	1.3425	0.563	3/8	UC 205-14		0.69
UCFA 205-15	15/16														UC 205-15		0.67
UCFA 205-16	1														UC 205-16		0.66
UCFA 206	30	141	115	18	14	31	13	83	40.2	58	72	38.1	15.9	M10	UC 206	FA206	0.93
UCFA 206-17	1-1/16														UC 206-17		0.96
UCFA 206-18	1-1/8	5-35/64	4-17/32	45/64	35/64	1-7/32	33/64	3-17/64	1-19/32	2-9/32	2-27/32	1.5000	0.626	3/8	UC 206-18		0.95
UCFA 206-19	1-3/16														UC 206-19		0.93
UCFA 206-20	1-1/4														UC 206-20		0.92
UCFA 207	35	155	128	19	16	34	15	96	44.4	66	82	42.9	17.5	M12	UC 207	FA207	1.46
UCFA 207-20	1-1/4														UC 207-20		1.52
UCFA 207-21	1-5/16	6-7/8	5-3/64	3/4	5/8	1-11/32	19/32	3-25/32	1-3/4	2-19/32	3-15/64	1.6890	0.689	7/16	UC 207-21		1.49
UCFA 207-22	1-3/8														UC 207-22		1.46
UCFA 207-23	1-7/16														UC 207-23		1.43
UCFA 208	40	171	142	21	16	38	15	105	51.2	71	87	49.2	19	M12	UC 208	FA208	1.78
UCFA 208-24	1-1/2	47/64	5-19/32	53/64	5/8	1-1/2	19/32	4-9/64	2-1/64	2-51/64	3-27/64	1.9370	0.748	7/16	UC 208-24		1.82
UCFA 208-25	1-9/16														UC 208-25		1.79
UCFA 209	45	179	146	22	18	40	17	111	52.2	72	90	49.2	19	M14	UC 209	FA209	2.03
UCFA 209-26	1-5/8														UC 209-26		2.13
UCFA 209-27	1-11/16	7-3/64	5-3/4	55/64	45/64	1-37/64	43/64	4-3/8	2-1/16	2-53/64	3-35/64	1.9370	0.748	1/2	UC 209-27		2.09
UCFA 209-28	1-3/4														UC 209-28		2.05
UCFA 210	50	189	155	22	18	40	17	116	54.6	76	94	51.6	19	M14	UC 210	FA210	2.23
UCFA 210-29	1-13/16														UC 210-29		2.35
UCFA 210-30	1-7/8	7-7/16	6-7/64	55/64	45/64	1-37/64	43/64	4-9/16	2-5/32	3	3-45/64	2.0315	0.748	1/2	UC 210-30		2.30
UCFA 210-31	1-15/16														UC 210-31		2.25
UCFA 210-32	2														UC 210-32		2.21
UCFA 211	55	216	182	25	20	44	17	133	58.4	86	104	55.6	22.2	M14	UC 211	FA211	3.41
UCFA 211-32	2														UC 211-32		3.56
UCFA 211-33	2-1/16	8-1/2	7-11/64	63/64	25/32	1-47/64	43/64	5-51/64	2-5/16	3-25/64	4-3/32	2.1890	0.874	1/2	UC 211-33		3.50
UCFA 211-34	2-1/8														UC 211-34		3.45
UCFA 211-35	2-3/16														UC 211-35		3.39
UCFA 212	60	240	202	29	20	48	19	140	68.7	100	118	65.1	25.4	M16	UC 212	FA212	4.29
UCFA 212-36	2-1/4														UC 212-36		4.42
UCFA 212-37	2-5/16	9-29/64	7-61/64	1-9/64	25/32	1-7/8	3/4	5-1/2	2-23/32	3-15/16	4-41/64	2.5630	1.000	5/8	UC 212-37		4.35
UCFA 212-38	2-3/8														UC 212-38		4.27
UCFA 212-39	2-7/16														UC 212-39		4.20
UCFA 213	65	250	210	30	20	50	19	155	69.7	102	122	65.1	25.4	M14	UC 213	FA213	5.21
UCFA 213-40	2-1/2	9-27/32	8-17/64	1-3/16	25/32	1-31/32	3/4	6-3/32	2-3/4	4-1/64	4-51/64	2.5630	1.000	5/8	UC 213-40		5.29
UCFA 213-41	2-9/16														UC 213-41		5.15



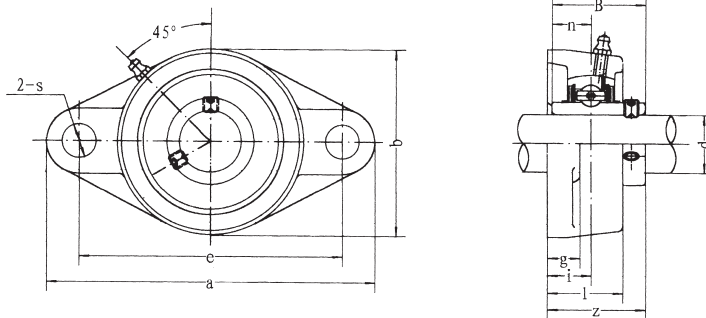
Unit No.	Dimensions ^{mm} / _{inch}													Bolt Size ^{mm} / _{inch}	Bearing No.	Housing No.	Weight (kg)
	d	a	p	e	i	s	j	k	g	f	z	B	n				
UCFC X05	25	111	92	65	10	9.5	6	9.5	24	76	32.2	38.1	15.9	M8	UC X05	FCX05	1.2
UCFC X05-13	13/16														UC X05-13		
UCFC X05-14	7/8	4-3/8	3-5/8	2-9/16	25/64	3/8	15/64	3/8	15/16	2.9921	1-9/32	1.5000	0.626	5/16	UC X05-14		
UCFC X05-15	15/16														UC X05-15		
UCFC X05-16	1														UC X05-16		
UCFC X06	30	127	105	74.2	8	12	9.5	9.5	22.5	85	33.4	42.9	17.5	M10	UC X06	FCX06	1.5
UCFC X06-17	1-1/16														UC X06-17		
UCFC X06-18	1-1/8	5	4-9/64	2-59/64	5/16	15/32	3/8	3/8	7/8	3.3465	1-5/16	1.6890	0.689	3/8	UC X06-18		
UCFC X06-19	1-3/16														UC X06-19		
UCFC X06-20	1-1/4														UC X06-20		
UCFC X07	35	133	111	78.5	9	12	11	11	26	92	39.2	49.2	19	M10	UC X07	FCX07	1.9
UCFC X07-21	1-5/16														UC X07-21		
UCFC X07-22	1-3/8	5-1/4	4-3/8	3-3/32	23/64	15/32	7/16	7/16	1-1/32	3.6220	1-17/32	1.9370	0.748	3/8	UC X07-22		
UCFC X07-23	1-7/16														UC X07-23		
UCFC X08	40	133	111	78.5	9	12	11	11	26	92	39.2	49.2	19	M10	UC X08		
UCFC X08-24	1-1/2	5-1/4	4-3/8	3-3/32	23/64	15/32	7/16	7/16	1-1/32	3.6220	1-17/32	1.9370	0.748	3/8	UC X08-24		
UCFC X08-25	1-9/16														UC X08-25		
UCFC X09	45	155	130	91.9	8	14	12	11	25	108	40.6	51.6	19	M12	UC X09	FCX09	2.6
UCFC X09-26	1-5/8														UC X09-26		
UCFC X09-27	1-11/16	6-3/32	5-1/8	3-5/8	5/16	35/64	15/32	7/16	63/64	4.2520	1-19/32	2.0315	0.748	7/16	UC X09-27		
UCFC X09-28	1-3/4														UC X09-28		
UCFC X09-29	1-13/16														UC X09-29		
UCFC X10	50	162	136	96.2	7	14	16	11	25	118	40.4	55.6	22.2	M12	UC X10	FCX10	3.2
UCFC X10-30	1-7/8														UC X10-30		
UCFC X10-31	1-15/16	6-3/8	5-23/64	3-25/32	9/32	35/64	5/8	7/16	63/64	4.6457	1-19/32	2.1890	0.874	7/16	UC X10-31		
UCFC X10-32	2														UC X10-32		
UCFC X11	55	180	152	107.5	4	16	22	13	26	127	43.7	65.1	25.4	M14	UC X11		
UCFC X11-33	2-1/16														UC X11-33		
UCFC X11-34	2-1/8														UC X11-34		
UCFC X11-35	2-3/16	7-3/32	5-63/64	4-15/64	5/32	5/8	55/64	1/2	1-1/32	5.0000	1-23/32	2.5630	1.000	1/2	UC X11-35		
UCFC X11-36	2-5/16														UC X11-36		
UCFC X11-37															UC X11-37		
UCFC X12	60	194	165	116.7	11	16	20	14	33	140	50.7	65.1	25.4	M14	UC X12	FCX12	5.3
UCFC X12-38	2-3/8	7-5/8	6-1/2	4-19/32	7/16	5/8	25/32	9/16	1-5/16	5.5118	2	2.5630	1.000	1/2	UC X12-38		
UCFC X12-39	2-7/16														UC X12-39		
UCFC X13	65	194	165	116.7	11	16	20	14	33	140	55.4	74.6	30.2	M14	UC X13	FCX13	5.7
UCFC X13-40	2-1/2	7-5/8	6-1/2	4-19/32	7/16	5/8	25/32	9/16	1-5/16	5.5118	2-3/16	2.9370	1.189	1/2	UC X13-40		
UCFC X13-41	2-9/16														UC X13-41		
UCFC X14	70	222	190	134.3	14	19	20	14	36	164	58.5	77.8	33.3	M16	UC X14	FCX14	7.3
UCFC X14-42	2-5/8														UC X14-42		
UCFC X14-43	2-1/16	8-3/4	7-31/64	5-9/32	35/64	3/4	25/32	9/16	1-13/32	6.4567	2-5/16	3.0630	1.311	5/8	UC X14-43		
UCFC X14-44	2-3/4														UC X14-44		
UCFC X15	75	222	190	134.3	12	19	22	16	35	164	61.3	82.6	33.3	M16	UC X15	FCX15	8
UCFC X15-45	2-13/16														UC X15-45		
UCFC X15-46	2-7/8	8-3/4	7-31/64	5-9/32	15/32	3/4	55/64	5/8	1-3/8	6.4567	2-13/32	3.2520	1.311	5/8	UC X15-46		
UCFC X15-47	2-15/16														UC X15-47		
UCFC X15-48	3														UC X15-48		
UCFC X16	80	260	219	154.8	10	23	25	19	36	186	61.6	85.7	34.1	M20	UC X16	FCX16	11.3
UCFC X16-49	3-1/16														UC X16-49		
UCFC X16-50	3-1/8	10-1/4	8-5/8	6-3/32	25/64	29/32	63/64	3/4	1-13/32	7.3228	2-7/16	3.3740	1.343	3/4	UC X16-50		
UCFC X16-51	3-3/16														UC X16-51		
UCFC X16-52	3-1/4														UC X16-52		
UCFC X17	85	260	219	154.8	10	23	25	19	36	186	66.3	96	39.7	M20	UC X17	FCX17	12.9
UCFC X17-53	3-5/16	10-1/4	8-5/8	6-3/32	25/64	29/32	63/64	3/4	1-13/32	7.3228	2-5/8	3.7795	1.5630	3/4	UC X17-53		
UCFC X17-55	3-7/16														UC X17-55		

Flange Cartridge Units

NAFC 2 (Normal-duty) (with Eccentric Locking Collar)

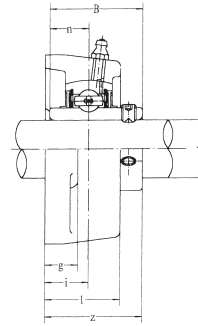
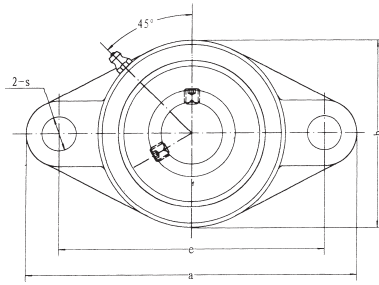


Unit No.	Dimensions <small>mm inch</small>														Bolt Size <small>mm inch</small>	Bearing No.	Housing No.	Weight (kg)
	d	a	p	e	i	S	j	k	g	f	z	B	n					
NAFC 204	20	100	78	55.1	10	12	5	7	20.5	62	36.6	43.7	17.1	M10	NA 204	FC204	0.76	
NAFC 204-12	3/4	3-15/16	3-5/64	2-11/64	25/64	15/32	13/64	9/32	13/16	2.4409	1-7/16	0.720	0.673	3/8	NA 204-12		0.76	
NAFC 205	25	115	90	63.6	10	12	6	7	21	70	36.9	44.4	17.5	M10	NA 205		1.07	
NAFC 205-13	13/16														NA 205-13		1.12	
NAFC 205-14	7/8	4-17/32	3-35/64	2-1/2	25/64	15/32	15/64	9/32	53/64	2.7559	1-29/64	1.748	0.689	3/8	NA 205-14	FC205	1.11	
NAFC 205-15	15/16														NA 205-15		1.09	
NAFC 205-16	1														NA 205-16		1.07	
NAFC 206	30	125	100	70.7	10	12	8	8	23	80	40.1	48.4	18.3	M10	NA 206		1.43	
NAFC 206-17	1-1/16														NA 206-17		1.48	
NAFC 206-18	1-3/8	4-59/64	3-15/16	2-25/32	25/64	15/32	5/16	5/16	29/32	3.1496	1-37/64	1.906	0.720	3/8	NA 206-18	FC206	1.45	
NAFC 206-19	1-3/16														NA 206-19		1.43	
NAFC 206-20	1-1/4														NA 206-20		1.40	
NAFC 207	35	135	110	77.8	11	14	8	9	26	90	43.3	51.1	18.8	M12	NA 207		1.93	
NAFC 207-20	1-1/4														NA 207-20		2.00	
NAFC 207-21	1-5/16	1-5/16	4-21/64	3-1/16	7/16	35/64	5/16	23/64	1-1/32	3.5433	1-45/64	2.012	0.740	7/16	NA 207-21	FC207	1.96	
NAFC 207-22	1-3/8														NA 207-22		1.93	
NAFC 207-23	1-7/16														NA 208-23		1.87	
NAFC 208	40	145	120	84.8	11	14	10	9	26	100	45.9	56.3	21.4	M12	NA 208		2.29	
NAFC 208-24	1-1/2														NA 208-24	FC208	2.34	
NAFC 208-25	1-9/16	5-45/64	4-23/32	3-11/32	7/16	35/64	25/64	23/64	1-1/32	3.9370	1-13/16	2.217	0.843	7/16	NA 208-25		2.30	
NAFC 209	45	160	132	93.3	10	16	12	14	26	105	44.9	56.3	21.4	M14	NA 209		2.85	
NAFC 209-26	1-5/8														NA 209-26	FC209	2.96	
NAFC 209-27	1-11/16	6-19/64	5-13/64	3-43/64	25/64	5/8	15/32	35/64	1-1/32	4.1339	1-49/64	2.217	0.843	1/2	NA 209-27		2.91	
NAFC 209-28	1-3/4														NA 209-28		2.87	
NAFC 210	50	165	138	97.6	10	16	12	14	28	110	48.1	62.7	24.6	M14	NA 210		3.09	
NAFC 210-29	1-13/16														NA 210-29	FC210	3.24	
NAFC 210-30	1-7/8	6-1/2	5-7/16	3-27/32	25/64	5/8	15/32	35/64	1-7/64	4.3307	1-57/64	2.469	0.969	1/2	NA 210-30		3.18	
NAFC 210-31	1-15/16														NA 210-31			
NAFC 210-32	2														NA 210-32		3.06	
NAFC 211	55	185	150	106.1	13	19	12	15	31	125	56.6	71.4	27.8	M16	NA 211		4.22	
NAFC 211-32	2														NA 211-32	FC211	4.42	
NAFC 211-33	2-1/16	7-9/32	5-29/32	4-3/16	33/64	3/4	15/32	19/32	1-7/32	4.9213	2-15/64	2.811	1.094	5/8	NA 211-33		4.34	
NAFC 211-34	2-1/8														NA 211-34		4.27	
NAFC 211-35	2-3/16														NA 211-35		4.19	
NAFC 212	60	195	160	113.1	17	19	12	15	36	135	63.8	77.8	31	M16	NA 212		5.28	
NAFC 212-36	2-1/4														NA 212-36	FC212	5.44	
NAFC 212-37	2-5/16	7-11/16	6-19/64	4-29/64	43/64	3/4	15/32	19/32	1-27/64	5.3150	2-33/64	3.063	1.220	5/8	NA 212-37		5.35	
NAFC 212-38	2-3/8														NA 212-38		5.30	
NAFC 212-39	2-7/16														NA 212-39		5.17	
NAFC 213	65	205	170	120.2	16	19	14	15	36	145	67.6	85.7	34.1	M16	NA 213		6.21	
NAFC 213-40	2-1/2	8-5/64	6-11/16	4-47/64	5/8	3/4	35/64	19/32	1-27/64	5.5118	2-21/32	3.374	1.343	5/8	NA 214-40	FC213	6.31	
NAFC 213-41	2-9/16														NA 213-41		6.20	
NAFC 214	70	215	177	125.1	17	19	14	18	40	150	68.6	85.7	34.1	M16	NA 214		7.45	
NAFC 214-42	2-3/8														NA 214-42	FC214	7.69	
NAFC 214-43	2-11/16	8-15/32	6-31/32	4-59/64	43/64	3/4	35/64	23/32	1-37/64	5.9055	2-45/64	3.374	1.343	5/8	NA 214-43		7.58	
NAFC 214-44	2-3/4														NA 214-44		7.46	
NAFC 215	75	220	184	130.1	18	19	16	18	40	160	72.8	92.1	37.3	M16	NA 215		8.19	
NAFC 215-45	2-13/16														NA 215-45	FC215	8.49	
NAFC 215-46	2-7/8	8-21/32	7-1/4	5-1/8	23/32	3/4	5/8	23/32	1-37/64	6.2992	2-7/8	3.626	1.469	5/8	NA 215-46		8.36	
NAFC 215-47	2-15/16														NA 215-47		8.23	
NAFC 215-48	3														NA 215-48		8.09	

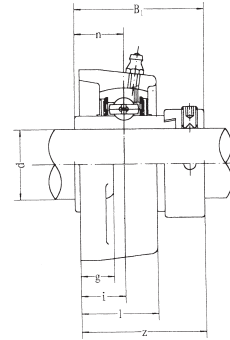
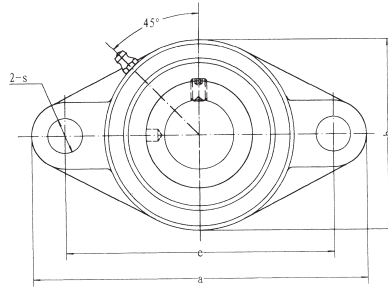


Unit No.	Dimensions ^{mm} / _{inch}											Bolt Size ^{mm} / _{inch}	Bearing No.	Housing No.	Weight (kg)
	d	a	e	i	g	l	s	b	z	B ₁	n				
UCFL 305	25	150	113	16	13	29	19	80	39	38	15	M16	UC 305	FL305	1.1
UCFL 305-13	13/16												UC 305-13		
UCFL 305-14	7/8	5-29/32	4-7/16	5/8	1/2	1-5/32	3/4	3-5/32	1-17/32	1.4961	0.591	5/8	UC 305-14		
UCFL 305-15	15/16												UC 305-15		
UCFL 305-16	1												UC 305-16		
UCFL 306	30	180	134	18	15	32	23	90	44	43	17	M20	UC 306	FL306	1.5
UCFL 306-17	1-1/16												UC 306-17		
UCFL 306-18	1-1/8	7-3/32	5-9/32	45/64	19/32	1-1/4	29/32	3-17/32	1-47/64	1.6929	0.669	3/4	UC 306-18		
UCFL 306-19	1-3/16												UC 306-19		
UCFL 307	35	185	141	20	16	36	23	100	49	48	19	M20	UC 307		
UCFL 307-20	1-1/4												UC 307-20		
UCFL 307-21	1-5/16	7-9/32	5-35/64	25/32	5/8	1-13/32	29/32	3-15/16	1-59/64	1.8898	0.748	3/4	UC 307-21		
UCFL 307-22	1-3/8												UC 307-22		
UCFL 307-23	1-7/16												UC 307-23		
UCFL 308	40	200	158	23	17	40	23	112	56	52	19	M20	UC 308	FL308	2.5
UCFL 308-24	1-1/2	7-7/8	5-7/32	29/32	21/32	1-9/16	29/32	4-13/32	1-13/64	2.0472	0.748	3/4	UC 308-24		
UCFL 308-25	1-9/16												UC 308-25		
UCFL 309	45	230	177	25	18	44	25	125	60	57	22	M22	UC 309	FL309	3.4
UCFL 309-26	1-5/8												UC 309-26		
UCFL 309-27	1-11/16	9-1/16	6-31/32	63/64	23/32	1-23/32	63/64	4-29/32	2-23/64	2.2441	0.866	7/8	UC 309-27		
UCFL 309-28	1-3/4												UC 309-28		
UCFL 310	50	240	187	28	19	48	25	140	67	61	22	M22	UC 310		
UCFL 310-29	1-13/16												UC 310-29	FL310	4.4
UCFL 310-30	1-7/8	9-7/16	7-23/64	1-7/64	3/4	1-7/8	63/64	5-1/2	2-41/64	2.4016	0.866	7/8	UC 310-30		
UCFL 310-31	1-15/16												UC 310-31		
UCFL 311	55	250	198	30	20	52	25	150	71	66	25	M22	UC 311	FL311	5.1
UCFL 311-32	2												UC 311-32		
UCFL 311-33	2-1/16												UC 311-33		
UCFL 311-34	2-1/8	9-27/32	7-51/64	1-3/16	25/32	2-1/16	63/64	5-29/32	2-51/64	2.5984	0.948	7/8	UC 311-34		
UCFL 311-35	2-3/16												UC 311-35		
UCFL 312	60	270	212	33	22	56	31	160	78	71	26	M27	UC 312	FL312	6.1
UCFL 312-36	2-1/4												UC 312-36		
UCFL 312-37	2-5/16	10-5/8	8-11/32	1-19/64	7/8	2-7/32	1-7/32	6-5/64	3-5/64	2.9753	1.024	1	UC 312-37		
UCFL 312-38	2-3/8												UC 312-38		
UCFL 312-39	2-7/16												UC 312-39		
UCFL 313	65	295	240	33	25	58	31	175	78	75	30	M27	UC 313	FL313	7.8
UCFL 313-40	2-1/2	11-5/8	9-29/64	1-19/64	31/32	2-9/32	1-7/32	6-7/8	3-5/64	2.9528	1.181	1	UC 313-40		
UCFL 313-41	2-9/16												UC 313-41		
UCFL 314	70	315	250	36	28	61	35	185	81	78	33	M20	UC 314	FL314	9.0
UCFL 314-42	2-5/8												UC 314-42		
UCFL 314-43	2-11/16	12-13/32	9-27/32	1-27/64	1-3/32	2-13/32	1-3/8	7-9/32	3-3/16	3.0708	1.299	1-1/8	UC 314-43		
UCFL 314-44	2-3/4												UC 314-44		
UCFL 315	75	320	260	39	30	66	35	195	89	82	32	M30	UC 315		
UCFL 315-45	2-13/16												UC 315-45	FL315	10
UCFL 315-46	2-7/8	12-19/32	10-15/64	1-17/32	1-3/16	2-19/32	1-3/8	7-11/16	3-1/2	3.2283	1.260	1-1/8	UC 315-46		
UCFL 315-47	2-15/16												UC 315-47		
UCFL 315-48	3												UC 315-48		
UCFL 316	80	355	285	38	32	68	38	210	90	86	34	M33	UC 316		
UCFL 316-49	3-1/16												UC 316-49	FL316	13
UCFL 316-50	3-1/8	13-31/32	11-7/32	1-1/2	1-1/4	2-11/16	1-1/2	8-9/32	3-35/64	3.3858	1.339	1-1/4	UC 316-50		
UCFL 316-51	3-3/16												UC 316-51		
UCFL 317	85	370	300	44	32	74	38	220	100	96	40	M33	UC 317		
UCFL 317-52	3-1/4												UC 317-52	FL317	15
UCFL 317-53	3-5/16	14-9/16	11-13/14	1-47/64	1-1/4	2-29/32	1-1/2	8-21/32	3-15/16	3.7795	1.575	1-1/4	UC 317-53		
UCFL 317-54													UC 317-54		
UCFL 317-55	3-7/16												UC 317-55		
UCFL 318	90	385	315	44	36	76	38	235	100	96	40	M33	UC 318	FL318	18
UCFL 318-55	3-7/16	15-5/32	12-13/32	1-47/64	1-13/32	3	1-1/2	9-1/4	3-15/16	3.7795	1.575	1-1/4	UC 318-55		
UCFL 318-56	3-1/2												UC 318-56		
UCFL 319	95	405	330	59	40	94	41	250	121	103	41	M36	UC 319	FL319	22
UCFL 319-58	3-5/8												UC 319-58		
UCFL 319-59	3-11/16	15-15/16	12-63/64	2-21/64	1-9/16	3-11/16	1-39/64	9-27/32	4-49/64	4.0551	1.614	1-3/8	UC 319-59		
UCFL 319-60	3-3/4												UC 319-60		

UCFLX (medium-duty)



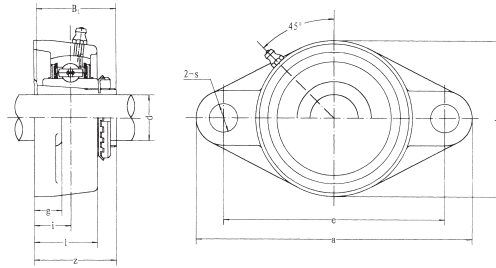
Unit No.	Dimensions ^{mm} / _{inch}											Bolt Size mm inch	Bearing No.	Housing No.	Weight (kg)
	d	a	e	i	g	l	s	b	z	B	n				
UCFL X05	25	141	117	18	13	30	12	83	40.2	38.1	15.9	M10	UC X05	FLX05	1.0
UCFL X05-13	¹³ / ₁₆												UC X05-13		
UCFL X05-14	⁷ / ₈	⁵⁻⁹ / ₁₆	⁴⁻³⁹ / ₆₄	⁴⁵ / ₆₄	¹ / ₂	¹⁻³ / ₁₆	¹⁵ / ₃₂	³⁻⁹ / ₃₂	¹⁻³⁷ / ₆₄	1.5000	0.626	³ / ₈	UC X05-14		
UCFL X05-15	¹⁵ / ₁₆												UC X05-15		
UCFL X05-16	1												UC X05-16		
UCFL X06	30	156	130	19	15	34	16	95	44.4	42.9	17.5	M14	UC X06	FLX06	1.5
UCFL X06-17	¹⁻¹ / ₁₆												UC X06-17		
UCFL X06-18	¹⁻¹ / ₈	⁶⁻⁵ / ₃₂	⁵⁻¹ / ₈	³ / ₄	¹⁹ / ₃₂	¹⁻¹¹ / ₃₂	⁵ / ₈	³⁻³ / ₄	¹⁻³ / ₄	1.6890	0.689	¹ / ₂	UC X06-18		
UCFL X06-19	¹⁻³ / ₁₆												UC X06-19		
UCFL X06-20	¹⁻¹ / ₄												UC X06-20		
UCFL X07	35	171	144	21	16	38	16	105	51.2	49.2	19	M14	UC X07	FLX07	2.0
UCFL X07-21	¹⁻⁵ / ₁₆												UC X07-21		
UCFL X07-22	¹⁻³ / ₈	⁶⁻²³ / ₃₂	⁵⁻⁴³ / ₆₄	⁵³ / ₆₄	⁵ / ₈	¹⁻¹ / ₂	⁵ / ₈	⁴⁻¹ / ₈	²⁻¹ / ₆₄	1.9370	0.748	¹ / ₂	UC X07-22		
UCFL X07-23	¹⁻⁷ / ₁₆												UC X07-23		
UCFL X08	40	179	148	22	16	40	16	111	52.2	49.2	19	M14	UC X08	FLX08	2.2
UCFL X08-24	¹⁻¹ / ₂	⁷⁻¹ / ₁₆	⁵⁻⁵³ / ₆₄	⁵⁵ / ₆₄	⁵ / ₈	¹⁻⁹ / ₁₆	⁵ / ₈	⁴⁻³ / ₈	²⁻¹ / ₁₆	1.9370	0.748	¹ / ₂	UC X08-24		
UCFL X08-25	¹⁻⁹ / ₁₆												UC X08-25		
UCFL X09	45	189	157	23	16	40	16	116	55.6	51.6	19	M14	UC X09	FLX09	2.4
UCFL X09-26	¹⁻⁵ / ₈												UC X09-26		
UCFL X09-27	¹⁻¹¹ / ₁₆	⁷⁻⁷ / ₁₆	⁶⁻³ / ₁₆	²⁹ / ₃₂	⁵ / ₈	¹⁻³⁷ / ₆₄	⁵ / ₈	⁴⁻⁹ / ₁₆	²⁻³ / ₁₆	2.0315	0.748	¹ / ₂	UC X09-27		
UCFL X09-28	¹⁻³ / ₄												UC X09-28		
UCFL X09-29	¹⁻¹³ / ₁₆												UC X09-29		
UCFL X10	50	216	184	26	18	44	19	133	59.4	55.6	22.2	M16	UC X10	FLX10	3.4
UCFL X10-30	¹⁻⁷ / ₈												UC X10-30		
UCFL X10-31	¹⁻¹⁵ / ₁₆	⁸⁻¹ / ₂	⁷⁻¹ / ₄	¹⁻¹ / ₃₂	²³ / ₃₂	¹⁻²³ / ₃₂	³ / ₄	⁵⁻¹ / ₄	²⁻¹¹ / ₃₂	2.1890	0.874	⁵ / ₈	UC X10-31		
UCFL X10-32	2												UC X11-32		



Unit No.	Dimensions ^{mm} / _{inch}											Bolt Size ^{mm} / _{inch}	Bearing No.	Housing No.	Weight (kg)
	d	a	e	i	g	l	s	b	z	B ₁	n				
NAFL 204	20	113	90	15	11	25.5	12	60	41.6	43.7	17.1	M10	NA 204	FL204	0.48
NAFL 204-12	3/4	4-7/16	3-35/64	19/32	7/16	1	15/32	2-3/8	1-41/64	1.720	0.673	3/8	NA 204-12		0.48
NAFL 205	25	130	99	16	13	27	16	68	42.9	44.4	17.5	M14	NA 205		0.65
NAFL 205-13	13/16												NA 205-13		0.70
NAFL 205-14	7/8	5-1/8	3-57/64	5/8	1/2	1-1/16	5/8	2-11/16	1-11/16	1.748	0.689	1/2	NA 205-14	FL205	0.69
NAFL 205-15	15/16												NA 205-15		0.67
NAFL 205-16	1												NA 205-16		0.65
NAFL 206	30	148	117	18	13	31	16	80	48.1	48.4	18.3	M14	NA 206		0.99
NAFL 206-17	1-1/16												NA 206-17		1.04
NAFL 206-18	1-3/8	5-13/16	4-39/64	45/64	1/2	1-7/32	5/8	3-5/32	1-57/64	1.906	0.720	1/2	NA 206-18	FL206	1.01
NAFL 206-19	1-3/16												NA 206-19		0.99
NAFL 206-20	1-1/4												NA 206-20		0.96
NAFL 207	35	161	130	19	14	34	16	90	51.3	51.1	18.8	M14	NA 207		1.20
NAFL 207-20	1-1/4												NA 207-20		1.27
NAFL 207-21	1-5/16	6-11/32	5-1/8	3/4	35/64	1-11/32	5/8	3-35/64	2-1/64	2.012	0.740	1/2	NA 207-21	FL207	1.23
NAFL 207-22	1-3/8												NA 207-22		1.20
NAFL 207-23	1-7/16												NA 208-23		1.17
NAFL 208	40	175	144	21	14	36	16	100	55.9	56.3	21.4	M14	NA 208		1.59
NAFL 208-24	1-1/2	6-7/8	5-43/64	53/64	35/64	1-18/32	5/8	3-15/16	2-13/64	2.217	0.843	1/2	NA 208-24	FL208	1.64
NAFL 208-25	1-9/16												NA 208-25		1.60
NAFL 209	45	188	148	22	15	38	19	108	56.9	56.3	21.4	M16	NA 209		1.91
NAFL 209-26	1-5/8												NA 209-26	FL209	2.02
NAFL 209-27	1-11/16	7-13/32	5-53/64	55/64	19/32	1-1/2	3/4	4-1/4	2-15/64	2.217	0.843	5/8	NA 209-27		1.97
NAFL 209-28	1-3/4												NA 209-28		1.93
NAFL 210	50	197	157	22	15	40	19	115	60.1	62.7	24.6	M16	NA 210		2.29
NAFL 210-29	1-13/16												NA 210-29		2.44
NAFL 210-30	1-7/8	7-3/4	6-3/16	55/64	19/32	1-37/64	3/4	4-17/32	2-23/64	2.469	0.969	5/8	NA 210-30	FL210	2.38
NAFL 210-31	1-15/16												NA 210-31		2.32
NAFL 210-32	2												NA 210-32		2.26
NAFL 211	55	224	184	25	18	43	19	130	68.6	71.4	27.8	M16	NA 211		3.12
NAFL 211-32	2												NA 211-32		3.32
NAFL 211-33	2-1/16	8-13/16	7-1/4	63/64	23/32	1-11/16	3/4	5-1/8	2-45/64	2.811	1.094	5/8	NA 211-33	FL211	3.24
NAFL 211-34	2-1/8												NA 211-34		3.17
NAFL 211-35	2-3/16												NA 211-35		3.09
NAFL 212	60	250	202	29	18	48	23	140	75.8	77.8	31	M20	NA 212		4.08
NAFL 212-36	2-4/1												NA 212-36		4.24
NAFL 212-37	2-5/16	9-27/32	7-51/64	1-9/64	23/32	1-7/8	29/32	5-1/2	2-63/64	3.063	1.220	3/4	NA 212-37	FL212	4.15
NAFL 212-38	2-3/8												NA 212-38		4.10
NAFL 212-39	2-7/16												NA 212-39		3.97
NAFL 213	65	258	210	30	22	50	23	155	81.6	85.7	34.1	M20	NA 213		5.13
NAFL 213-40	2-1/2												NA 213-40	FL213	5.23
NAFL 213-41	2-9/16	10-5/32	8-17/64	1-3/16	7/8	1-31/32	29/32	6-3/32	3-7/32	3.374	1.343	3/4	NA 213-41		5.12
NAFL 214	70	265	216	31	22	54	23	160	82.6	85.7	34.1	M20	NA 214		5.61
NAFL 214-42	2-3/8												NA 214-42	FL214	5.85
NAFL 214-43	2-3/4	10-7/16	8-1/2	1-7/32	7/8	2-1/8	29/32	6-5/16	3-1/4	3.374	1.343	3/4	NA 213-43		5.12
NAFL 214-44	2-3/4												NA 214-44		5.62
NAFL 215	75	275	225	34	22	56	23	165	88.8	92.1	37.3	M20	NA 215		6.00
NAFL 215-45	2-13/16												NA 215-45	FL215	6.30
NAFL 214-46	2-7/8	10-13/16	8-55/64	1-11/32	7/8	2-7/32	29/32	6-1/2	3-1/2	3.626	1.426	3/4	NA 215-46		6.17
NAFL 214-47	2-15/16												NA 215-47		6.04
NAFL 214-48	3												NA 215-48		5.90

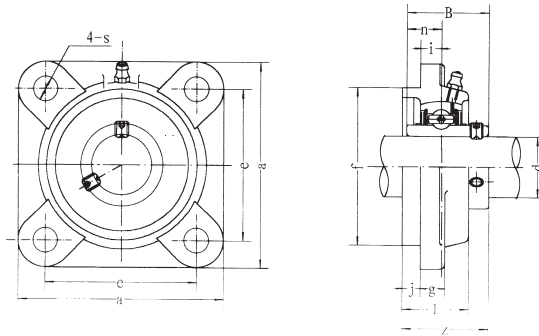
Flange Unit (oval)
(Adapter mounted)

UKFL 2 (normal-duty)

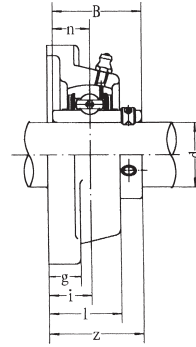
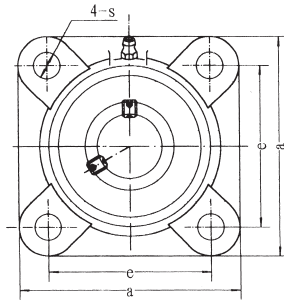


Unit No.	Dimensions <small>mm inch</small>										Bolt Size <small>mm inch</small>	Bearing No.	No.	Housing No.	Weight (kg)
	d	h	a	e	b	S ₁	S ₂	g	B	n					
UKFL 205	20	130	99	16	13	27	16	68	35.5	35	M14	UK 205	H305 HE305	FL205	0.63
	3/4	5-1/8	3-57/64	5/8	1/2	1-1/16	5/8	2-11/16	1-25/64	1.378	1/2				
UKFL 206	25	148	117	18	13	31	16	80	39	38	M14	UK 206	H306 HS306 HE306	FL206	0.90
	7/8	5-13/16	4-39/64	45/64	1/2	1-7/32	5/8	3-5/32	1-17/32	1.496	1/2				
UKFL 207	30	161	130	19	14	34	16	90	42.5	43	M14	UK 207	H307 HS307	FL207	1.17
	1-1/8	6-11/32	5-1/8	3/4	35/64	1-11/32	5/8	3-35/64	1-43/64	1.693	1/2				
UKFL 208	35	175	144	21	14	36	16	100	46.5	46	M14	UK 208	H308 HE308 H309	FL208	1.54
	1-1/4	6-7/8	5-43/64	53/64	35/64	1-13/32	5/8	3-15/16	1-53/64	1.811	1/2				
UKFL 209	40	188	148	22	15	38	19	108	48.5	50	M16	UK 209	H309 HE309 HS309 H310	FL209	1.89
	1-7/16	7-13/32	5-53/64	55/64	19/32	1-1/2	3/4	4-1/4	1-29/32	1.969	5/8				
UKFL 210	45	197	157	22	15	40	19	115	50	55	M16	UK 210	H310 HS310 HA310 HE310	FL210	2.27
	1-5/8	7-3/4	6-3/16	55/64	19/32	1-37/64	3/4	4-17/32	1-31/32	2.165	5/8				
UKFL 211	50	224	184	25	18	43	19	130	54.5	59	M16	UK 211	H311 HS311 HA311 HE311	FL211	3.06
	1-7/8	8-13/16	7-1/4	63/64	23/32	1-11/16	3/4	5-1/8	2-9/64	2.323	5/8				
UKFL 212	55	250	202	29	18	48	23	140	61	62	M20	UK 212	H312 HS312	FL212	3.79
	2-1/8	9-17/32	7-61/64	1-9/64	23/32	1-7/8	29/32	5-1/2	2-13/32	2.441	3/4				
UKFL 213	60	258	210	30	22	50	23	155	64	65	M20	UK 213	H313 HA313 HE313 HS313	FL213	4.48
	2-3/16	10-5/32	8-17/64	1-3/16	7/8	1-31/32	29/32	6-3/32	2-33/64	2.559	3/4				
UKFL 215	65	275	225	34	22	56	23	165	71	73	M20	UK 215	H315 HA315 HE315	FL215	5.48
	2-7/16	10-13/16	8-55/64	1-11/32	7/8	2-7/32	29/32	6-1/2	2-51/64	2.874	3/4				
UKFL 216	70	290	233	34	22	58	25	180	73.5	78	M22	UK 216	H316 HA316 HE316	FL216	7.46
	2-11/16	11-13/32	9-11/64	1-11/32	7/8	2-9/32	63/64	7-3/32	2-57/64	3.071	7/8				
UKFL 217	75	305	248	36	24	63	25	190	77	82	M22	UK 217	H317 HA317 HE317	FL217	9.03
	2-15/16	12	9-46/64	1-27/64	15/16	2-15/32	63/64	7-15/32	3-1/32	3.228	7/8				
UKFL 218	80	320	265	40	24	68	25	205	81.5	86	M22	UK 218	H318 HA318	FL218	10.89
	3-3/16	12-19/32	10-7/16	1-37/64	15/16	2-11/16	63/64	8-1/16	3-13/64	3.386	7/8				

UCFS 3 (heavy-duty)



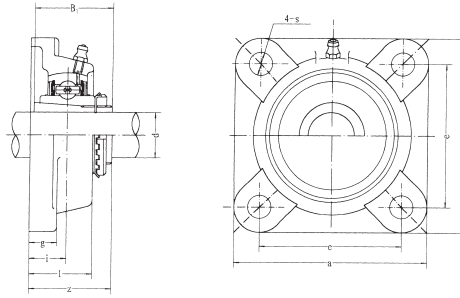
Unit No.	Dimensions ^{mm} inch												Bolt Size mm inch	Bearing No.	Housing No.	Weight (kg)
	d	a	p	e	i	s	j	k	g	f	z	B ₁				
UCFS 305	25	110	80	9	16	7	13	29	80	39	38	15	M14	UC 305	FS305	1.3
UCFS 305-13	13/16													UC 305-13		
UCFS 305-14	7/8	4-11/32	3-5/32	23/64	5/8	9/32	1/2	1-9/64	3.1496	1-17/32	1.4961	0.591	1/2	UC 305-14		
UCFS 305-15	15/16													UC 305-15		
UCFS 305-16	1													UC 305-16		
UCFS 306	30	125	95	10	16	8	15	32	90	44	43	17	M14	UC 306	FS306	1.9
UCFS 306-17	1-1/16													UC 306-17		
UCFS 306-18	1-1/8	4-29/32	3-47/64	25/64	5/8	5/16	19/32	1-17/64	3.5433	4-47/64	1.6929	0.669	1/2	UC 306-18		
UCFS 306-19	1-3/16													UC 306-19		
UCFS 307	35	135	100	11	19	9	16	36	100	49	48	19	M16	UC 307	FS307	2.4
UCFS 307-20	1-1/4													UC 307-20		
UCFS 307-21	1-5/16	5-5/16	3-15/16	7/16	3/4	23/64	5/8	1-13/32	3.9730	1-59/64	1.8898	0.748	5/8	UC 307-21		
UCFS 307-22	1-3/8													UC 307-22		
UCFS 307-23	1-7/16													UC 307-23		
UCFS 308	40	150	112	13	19	10	17	40	115	56	52	19	M16	UC 308	FS308	3.3
UCFS 308-24	1-1/2	5-29/32	4-13/32	33/64	3/4	25/64	21/32	1-9/16	4.5276	2-13/64	2.0472	0.748	5/8	UC 308-24		
UCFS 308-25	1-9/16													UC 308-25		
UCFS 309	45	160	125	14	19	11	18	44	125	60	57	22	M16	UC 309	FS309	4.0
UCFS 309-26	1-5/8													UC 309-26		
UCFS 309-27	1-11/16	6-5/16	4-59/64	35/64	3/4	7/16	23/32	1-47/64	4.9213	2-23/64	2.2441	0.866	5/8	UC 309-27		
UCFS 309-28	1-3/4													UC 309-28		
UCFS 310	50	175	132	16	23	12	19	48	140	67	61	22	M20	UC 310	FS310	5.3
UCFS 310-29	1-13/16													UC 310-29		
UCFS 310-30	1-7/8	6-7/8	5-13/64	5/8	29/32	15/32	3/4	1-57/64	5.5118	2-41/64	2.4016	0.866	3/4	UC 310-30		
UCFS 310-31	1-15/16													UC 310-31		
UCFS 311	55	185	140	17	23	13	20	52	150	71	66	25	M20	UC 311	FS311	6.2
UCFS 311-32	2													UC 311-32		
UCFS 311-33	2-1/16	7-9/32	5-33/64	43/64	29/32	33/64	25/32	2-3/64	5.9055	2-51/64	2.5984	0.984	3/4	UC 311-33		
UCFS 311-34	2-1/8													UC 311-34		
UCFS 311-35	2-3/16													UC 311-35		
UCFS 312	60	195	150	19	23	14	22	56	160	78	71	26	M20	UC 312	FX312	7.2
UCFS 312-36	2-1/4													UC 312-36		
UCFS 312-37	2-5/16	7-11/16	5-29/32	3/4	29/32	35/64	7/8	2-7/32	6.2922	3-5/64	2.7953	1.024	3/4	UC 312-37		
UCFS 312-38	2-3/8													UC 312-38		
UCFS 312-39	2-7/16													UC 312-39		
UCFS 313	65	208	166	15	23	18	22	58	175	78	75	30	M20	UC 313	FX313	8.9
UCFS 313-40	2-1/2	8-3/16	6-17/32	19/32	29/32	45/64	55/64	2-9/32	6.8898	3-9/64	2.9528	1.181	3/4	UC 313-40		
UCFS 313-41	2-9/16													UC 313-41		
UCFS 314	70	226	178	18	25	18	25	61	185	81	78	33	M22	UC 314	FS314	11
UCFS 314-42	2-5/8													UC 314-42		
UCFS 314-43	2-11/16	8-29/32	6-1/64	45/64	63/64	45/64	31/32	2-13/32	7.2835	3-3/16	3.0708	1.299	7/8	UC 314-43		
UCFS 314-44	2-3/4													UC 314-44		



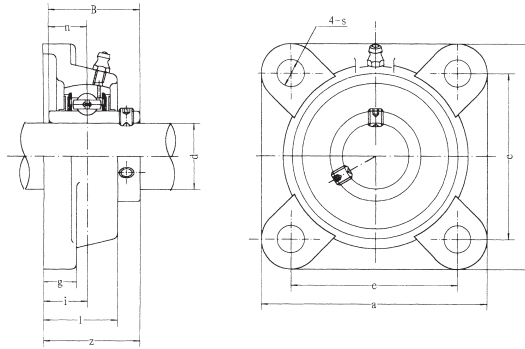
Unit No.	Dimensions <small>mm</small> <small>inch</small>										Bolt Size <small>mm</small> <small>inch</small>	Bearing No.	Housing No.	Weight (kg)
	d	a	e	i	g	l	s	z	B	n				
UCF 305	25	110	80	16	13	29	16	39	38	15	M14	UC 305 UC 305-13 UC 305-14 UC 305-15 UC 305-16	F305	1.1
UCF 305-13	13/16													
UCF 305-14	7/8													
UCF 305-15	15/16	4-11/32	3-5/32	5/8	1/2	1-5/32	5/8	1-17/32	1.4961	0.591	1/2			
UCF 305-16	1													
UCF 306	30	125	95	18	15	32	16	44	43	17	M14	UC 306 UC 306-17 UC 306-18 UC 306-19	F306	1.6
UCF 306-17	1-1/16	4-29/32	3-37/64	45/64	19/32	1-1/4	5/8	1-47/64	1.6929	0.669	1/2			
UCF 306-18	1-1/8													
UCF 306-19	1-3/16													
UCF 307	35	135	100	20	16	36	19	49	48	19	M16			
UCF 307-20	1-1/4													
UCF 307-21	1-5/16	5-5/16	3-15/16	25/32	5/8	1-13/32	3/4	1-59/64	1.8898	0.748	5/8			
UCF 307-22	1-3/8													
UCF 307-23	1-7/16													
UCF 308	40	150	112	23	17	40	19	56	52	19	M16	UC 308 UC 308-24 UC 308-25	F308	2.7
UCF 308-24	1-1/2	5-29/32	4-13/32	29/32	21/32	1-9/16	3/4	2-13/64	2.0472	0.748	5/8			
UCF 308-25	1-9/16													
UCF 309	45	160	125	25	18	44	19	60	57	22	M16			
UCF 309-26	1-5/8													
UCF 309-27	1-11/16	6-5/16	4-59/64	63/64	23/32	1-23/32	3/4	2-23/64	2.2441	0.866	5/8			
UCF 309-28	1-3/4													
UCF 310	50	175	132	28	19	48	23	67	61	22	M20	UC 310 UC 310-29 UC 310-30 UC 310-31	F310	4.5
UCF 310-29	1-13/16													
UCF 310-30	1-7/8	6-7/8	5-13/64	1-7/64	3/4	1-7/8	29/32	2-41/64	2.4016	0.866	3/4			
UCF 310-31	1-15/16													
UCF 311	55	185	140	30	20	52	23	71	66	25	M20	UC 311 UC 311-32 UC 311-33 UC 311-34 UC 311-35	F311	5.5
UCF 311-32	2													
UCF 311-33	2-1/16	7-9/32	5-33/64	1-3/16	25/32	2-1/16	29/32	2-51/64	2.5984	0.948	3/4			
UCF 311-34	2-1/8													
UCF 311-35	2-3/16													
UCF 312	60	195	150	33	22	56	23	78	71	26	M20	UC 312 UC 312-36 UC 312-37 UC 312-38 UC 312-39	F312	6.5
UCF 312-36	2-1/4													
UCF 312-37	2-5/16	7-11/16	5-29/32	1-19/64	7/8	2-7/32	29/32	3-59/64	1.024	1.024	3/4			
UCF 312-38	2-3/8													
UCF 312-39	2-7/16													
UCF 313	65	208	166	33	22	58	23	78	75	30	M20	UC 313 UC 313-40 UC 313-41	F313	7.9
UCF 313-40	2-1/2	8-3/16	6-17/32	1-19/64	55/64	2-9/32	29/32	3-5/64	2.9528	1.818	3/4			
UCF 313-41	2-9/16													
UCF 314	70	226	178	36	25	61	25	81	78	33	M22			
UCF 314-42	2-5/8													
UCF 314-43	2-11/16	8-29/32	6-1/64	1-27/64	31/32	2-13/32	63/64	3-3/16	3.0708	1.299	7/8			
UCP 314-44	2-3/4													
UCF 315	75	236	184	39	25	66	25	89	82	32	M22	UC 315 UC 315-45 UC 315-46 UC 315-47 UC 315-48	F315	1.2
UCF 315-45	2-13/16													
UCF 315-46	2-7/8													
UCF 315-47	2-15/16	9-19/32	7-1/4	1-17/32	31/32	2-19/32	63/64	3-1/2	3.2283	1.260	7/8			
UCF 315-48	3													
UCF 316	80	250	196	38	27	68	31	90	86	34	M27	UC 316 UC 316-49 UC 316-50 UC 316-51	F316	14
UCF 316-49	3-1/16													
UCF 316-50	3-1/8	9-27/32	7-23/32	1-1/2	1-1/16	2-11/16	1-7/32	3-39/64	3.3858	1.339	1			
UCF 316-51	3-3/16													
UCF 317	85	260	204	44	27	74	31	100	96	40	M27			
UCF 317-52	3-1/4													
UCF 317-53	3-5/16	10-1/4	8-1/32	1-47/64	1-1/16	2-29/32	1-7/32	3-15/16	3.7795	1.575	1			
UCF 317-55	3-7/16													
UCF 318	90	280	216	44	30	76	35	100	96	40	M30	UC 318 UC 318-55 UC 318-56	F318	19
UCF 318-55	3-7/16													
UCF 318-56	3-1/2	11-1/32	8-1/2	1-47/64	1-3/16	3	1-3/8	3-15/16	3.7795	1.575	1-1/8			
UCF 319	95	290	228	59	30	94	35	121	103	41	M30	UC 319 UC 319-58 UC 319-59 UC 319-60	F319	22
UCF 319-58	3-5/8													
UCF 319-59	3-11/16	11-13/32	8-31/32	2-21/64	1-3/16	3-11/16	1-3/8	4-49/64	4.0551	1.614	1-1/8			
UCF 319-60	3-3/4													
UCF 320	100	310	242	59	32	94	38	125	108	42	M33			
UCF 320-64	4	12-7/32	9-17/32	2-21/64	1-1/4	3-11/16	1-1/2	4-9/32	4.2519	1.6535	1-1/4			

Flange Units (Square)
(Adapter mounted)

UKF 2 (normal-duty)



Unit No.	Dimensions <small>mm inch</small>									Bolt Size <small>mm inch</small>	Bearing No.	No.	Housing No.	Weight (kg)
	d	a	e	i	g	l	s	z	B ₁					
UKF 205	20	95	70	16	14	27	12	35.5	35	M10	UK 205	H305 HE305	F205	0.85
	$\frac{3}{4}$	$3\text{-}\frac{3}{4}$	$2\text{-}\frac{3}{4}$	$\frac{5}{8}$	$\frac{35}{64}$	$1\text{-}\frac{1}{6}$	$\frac{15}{32}$	$1\text{-}\frac{25}{64}$	1.378	$\frac{3}{8}$				
UKF 206	25	108	83	18	14	31	12	39	38	M10	UK 206	H306 HS306 HE306	F206	1.16
	$\frac{7}{8}$	$4\text{-}\frac{1}{4}$	$3\text{-}\frac{17}{64}$	$\frac{45}{64}$	$\frac{35}{64}$	$1\text{-}\frac{7}{32}$	$\frac{15}{32}$	$1\text{-}\frac{17}{32}$	1.496	$\frac{3}{8}$				
	1													
UKF 207	30	117	92	19	16	34	14	42.5	43	M12	UK 207	H307 HS307	F207	1.55
	$1\text{-}\frac{1}{8}$	$4\text{-}\frac{39}{64}$	$3\text{-}\frac{5}{8}$	$\frac{3}{4}$	$\frac{5}{8}$	$1\text{-}\frac{11}{32}$	$\frac{35}{64}$	$1\text{-}\frac{43}{65}$	1.693	$\frac{7}{16}$				
UKF 208	35	130	102	21	16	36	16	46.5	46	M14	UK 208	H308 HE308 HS308	F208	1.94
	$1\text{-}\frac{1}{4}$	$5\text{-}\frac{1}{8}$	$4\text{-}\frac{1}{64}$	$\frac{53}{64}$	$\frac{5}{8}$	$1\text{-}\frac{27}{64}$	$\frac{5}{8}$	$1\text{-}\frac{53}{64}$	1.811	$\frac{1}{2}$				
	$1\text{-}\frac{3}{8}$													
UKF 209	40	137	105	22	18	38	16	48.5	50	M14	UK 209	H309 HA309 HE309 HS309	F209	2.30
	$1\text{-}\frac{7}{16}$	$5\text{-}\frac{13}{32}$	$4\text{-}\frac{9}{64}$	$\frac{55}{64}$	$\frac{23}{32}$	$1\text{-}\frac{1}{2}$	$\frac{5}{8}$	$1\text{-}\frac{29}{32}$	1.969	$\frac{1}{2}$				
	$1\text{-}\frac{1}{2}$													
	$1\text{-}\frac{5}{8}$													
UKF 210	45	143	111	22	18	40	16	50	55	M14	UK 210	H310 HA310 HE310 HS310	F210	2.59
	$1\text{-}\frac{5}{8}$	$5\text{-}\frac{5}{8}$	$4\text{-}\frac{3}{8}$	$\frac{55}{64}$	$\frac{23}{32}$	$1\text{-}\frac{9}{16}$	$\frac{5}{8}$	$1\text{-}\frac{31}{32}$	2.165	$\frac{1}{2}$				
	$1\text{-}\frac{11}{16}$													
	$1\text{-}\frac{3}{4}$													
UKF 211	50	162	130	25	20	43	19	54.5	59	M16	UK 211	H311 HA311 HE311 HS311	F211	3.46
	$1\text{-}\frac{7}{8}$	$6\text{-}\frac{3}{8}$	$5\text{-}\frac{1}{8}$	$\frac{63}{64}$	$\frac{25}{32}$	$1\text{-}\frac{11}{16}$	$\frac{3}{4}$	$2\text{-}\frac{9}{64}$	2.323	$\frac{5}{8}$				
	$1\text{-}\frac{15}{16}$													
UKF 212	55	175	143	29	20	48	19	61	62	M16	UK 212	H312 HS312	F212	4.33
	$2\text{-}\frac{1}{8}$	$6\text{-}\frac{57}{64}$	$5\text{-}\frac{5}{8}$	$1\text{-}\frac{9}{64}$	$\frac{25}{32}$	$1\text{-}\frac{57}{64}$	$\frac{3}{4}$	$2\text{-}\frac{13}{32}$	2.441	$\frac{5}{8}$				
UKF 213	60	187	149	30	22	50	19	64	65	M16	UK 213	H313 HA313 HE313 HS313	F213	4.90
	$2\text{-}\frac{3}{16}$	$7\text{-}\frac{23}{64}$	$5\text{-}\frac{55}{64}$	$1\text{-}\frac{3}{16}$	$\frac{55}{64}$	$1\text{-}\frac{31}{32}$	$\frac{3}{4}$	$2\text{-}\frac{33}{64}$	2.559	$\frac{5}{8}$				
	$2\text{-}\frac{1}{4}$													
	$2\text{-}\frac{3}{8}$													
UKF 215	65	200	159	32	22	56	19	71	73	M16	UK215	H315 HA315 HE315	F215	7.02
	$2\text{-}\frac{7}{16}$	$7\text{-}\frac{7}{8}$	$6\text{-}\frac{17}{64}$	$1\text{-}\frac{11}{32}$	$\frac{55}{64}$	$2\text{-}\frac{7}{32}$	$\frac{3}{4}$	$2\text{-}\frac{51}{64}$	2.874	$\frac{5}{8}$				
	$2\text{-}\frac{1}{2}$													
UKF 216	70	208	165	34	22	58	23	73.5	78	M20	UK216	H316 HA316 HE316	F216	7.76
	$2\text{-}\frac{11}{16}$	$8\text{-}\frac{3}{16}$	$6\text{-}\frac{1}{2}$	$1\text{-}\frac{11}{32}$	$\frac{55}{64}$	$2\text{-}\frac{9}{32}$	$\frac{29}{32}$	$2\text{-}\frac{57}{64}$	3.071	$\frac{3}{4}$				
	$2\text{-}\frac{3}{4}$													
UKF 217	75	220	175	36	24	63	23	77	82	M20	UK217	H317 HA317 HE317	F217	10.08
	$2\text{-}\frac{15}{16}$	$8\text{-}\frac{21}{32}$	$6\text{-}\frac{57}{64}$	$1\text{-}\frac{27}{64}$	$\frac{15}{16}$	$2\text{-}\frac{15}{32}$	$\frac{29}{32}$	$3\text{-}\frac{1}{32}$	3.228	$\frac{3}{4}$				
	3													
UKF 218	80	235	187	40	24	68	23	81.5	86	M20	UK218	H318 H3A18	F218	12.44
	$3\text{-}\frac{3}{16}$	$9\text{-}\frac{1}{4}$	$7\text{-}\frac{23}{64}$	$1\text{-}\frac{37}{64}$	$\frac{15}{16}$	$2\text{-}\frac{11}{16}$	$\frac{29}{32}$	$3\text{-}\frac{13}{64}$	3.386	$\frac{3}{4}$				



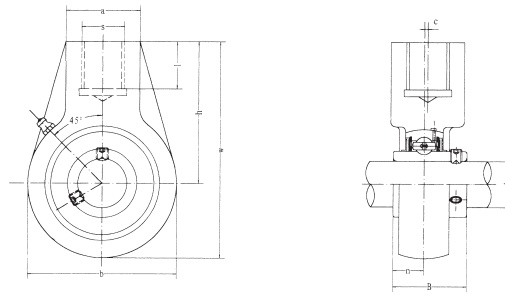
Unit No.	Dimensions ^{mm} / _{inch}										Bolt Size ^{mm} / _{inch}	Bearing No.	Housing No.	Weight (kg)
	d	h	a	e	b	S ₁	S ₂	g	B	n				
*UCF 201	12	86	64	15	12	25.5	12	33.3	31	12.7	M10	UC 201 UC 201-8	F204	0.60
*UCF 201-8	3/4	3-3/8	2-33/64	19/32	15/32	1	15/32	1-5/16	1.2205	0.500	3/8			0.59
*UCF 202	15	86	64	15	12	25.5	12	33.3	31	12.7	M10	UC 202 UC 202-9 UC 202-10	F204	0.59
*UCF 202-9	9/16	3-3/8	2-33/64	19/32	15/32	1	15/32	1-5/16	1.2205	0.500	3/8			0.59
*UCF 202-10	5/8													0.59
*UCF 203	17	86	64	15	12	25.5	12	33.3	31	12.7	M10	UC 203 UC 203-11	F204	0.58
*UCF 203-11	11/16	3-3/8	2-33/64	19/32	15/32	1	15/32	1-5/16	1.2205	0.500	3/8			0.57
*UCF 204	20	86	64	15	12	25.5	12	33.3	31	12.7	M10	UC 204 UC 204-12	F204	0.56
*UCF 204-12	3/4	3-3/8	2-33/64	19/32	15/32	1	15/32	1-5/16	1.2205	0.500	3/8			0.56
*UCF 205	25	95	70	16	14	27	12	35.8	34.1	14.3	M10	UC 205 UC 205-13 UC 205-14 UC 205-15 UC 205-16	F205	0.80
*UCF 205-13	13/16													0.84
*UCF 205-14	7/8	3-3/4	2-3/4	5/8	35/64	1-1/16	15/32	1-13/32	1.3425	0.563	3/8			0.83
*UCF 205-15	15/16													0.81
*UCF 205-16	1													0.80
*UCF 206	30	108	83	18	14	31	12	40.2	38.1	15.9	M10			UC 206 UC 206-17 UC 206-18 UC 206-19 UC 206-20
*UCF 206-17	1-1/16											1.15		
*UCF 206-18	1-1/8											1.14		
*UCF 206-19	1-3/16	4-1/4	3-17/64	45/64	35/64	1-7/32	15/32	1-19/32	1.5000	0.626	3/8	1.12		
*UCF 206-20	1-1/4											1.11		
*UCF 207	35	117	92	19	16	34	14	44.4	42.9	17.5	M12	UC 207 UC 207-20 UC 207-21 UC 207-22 UC 207-23	F207	1.46
*UCF 207-20	1-1/4													1.52
*UCF 207-21	1-5/16													1.49
*UCF 207-22	1-3/8	4-39/64	3-5/8	3/4	5/8	1-11/32	35/64	1-3/4	1.6890	0.689	7/16			1.46
*UCF 207-23	1-7/16													1.43
*UCF 208	40	130	102	21	16	36	16	51.2	49.2	19	M14	UC 208 UC 208-24 UC 208-25	F208	1.84
*UCF 208-24	1-1/12	5-1/8	4-1/64	53/64	5/8	1-27/64	5/8	2-1/64	1.9370	0.748	1/2			1.88
*UCF 208-25	1-9/16													1.85
*UCF 209	45	137	105	22	18	38	16	52.2	49.2	19	M14	UC 209 UC 209-26 UC 209-27 UC 209-28	F209	2.15
*UCF 209-26	1-5/8													2.25
*UCF 209-27	1-11/16	5-13/32	4-9/64	55/64	23/32	1-1/2	5/8	2-1/16	1.9370	0.748	1/2			2.21
*UCF 209-28	1-3/4													2.17
*UCF 210	50	14.3	111	22	18	40	16	54.6	51.6	19	M14	UC 210 UC 210-29 UC 210-30 UC 210-31 UC 210-32	F210	2.42
*UCF 210-29	1-13/16													2.54
*UCF 210-30	1-7/8													2.49
*UCF 210-31	1-15/16	5-5/8	4-3/8	55/64	23/32	1-9/16	5/8	2-5/32	2.0315	0.748	1/2			2.44
*UCF 210-32	2													2.40
*UCF 211	55	162	130	25	20	43	19	58.4	55.6	22.2	M16	UC 211 UC 211-32 UC 211-33 UC 211-34 UC 211-35	F211	3.31
*UCF 211-32	2													3.46
*UCF 211-33	2-1/16													3.40
*UCF 211-34	2-1/8	6-3/8	5-1/8	63/64	25/32	1-11/16	3/4	1-5/16	2.1890	0.874	5/8			3.35
*UCF 211-35	2-3/16													3.29
UCF 212	60	175	143	29	20	48	19	68.7	65.1	25.4	M16	UC 212 UC 212-36 UC 212-37 UC 212-38 UC 212-39	F212	4.28
UCF 212-36	2-1/4													4.41
UCF 212-37	2-5/16	6-57/64	5-5/8	1-9/64	25/32	1-57/64	3/4	2-45/64	2.5630	1.000	5/8			4.33
UCF 212-38	2-3/8													4.26
UCF 212-39	2-7/16													4.19
UCF 213	65	187	149	30	22	50	19	69.7	65.1	25.4	M16	UC 213 UC 213-40 UC 213-41	F213	4.99
UCF 213-40	2-1/2	7-23/64	5-55/64	1-3/16	55/64	1-31/32	3/4	2-3/4	2.5630	1.000	5/8			5.08
UCF 213-41	2-9/16													4.99
UCF 214	70	193	152	31	22	54	19	75.4	74.6	30.2	M16	UC 214 UC 214-42 UC 214-43 UC 214-44	F214	5.85
UCF 214-42	2-5/8													6.06
UCF 214-43	2-11/16	7-19/32	5-53/64	1-7/32	55/64	2-1/8	3/4	2-31/32	2.9370	1.189	5/8			5.96
UCF 214-44	2-3/4													5.86
UCF 215	75	200	159	34	22	56	19	78.5	77.8	33.3	M16	UC 215 UC 215-45 UC 215-46 UC 215-47 UC 215-48	F215	6.91
UCF 215-45	2-13/16													7.16
UCF 215-46	2-7/8	7-7/8	6-17/64	1-11/32	55/64	2-7/32	3/4	3-3/32	3.0630	1.311	5/8			7.05
UCF 215-47	2-15/16													6.94
UCF 215-48	3													6.82
UCF 216	80	208	165	34	22	58	23	83.3	82.6	33.3	M20	UC 216 UC 216-49 UC 216-50 UC 216-51	F216	7.50
UCF 216-49	3-1/8													7.68
UCF 216-50	3-1/8	8-3/16	6-1/2	1-11/32	55/64	2-9/32	29/32	3-9/32	3.2520	1.311	3/4			7.55
UCF 216-51	3-3/16													7.42
UCF 217	85	220	175	36	24	63	23	87.6	85.7	34.1	M20	UC 217 UC 217-52 UC 217-53 UC 217-55	F217	9.66
UCF 217-52	3-1/4													9.88
UCF 217-53	3-9/16	8-21/23	6-57/64	1-27/64	15/16	2-15/32	29/32	3-7/16	3.3740	1.343	3/4			9.74
UCF 217-55	3-7/16													9.45
UCF 218	90	235	187	40	24	68	23	96.3	96	39.7	M20	UC 218 UC 218-56	F218	12.06
UCF 218-56	3-1/2	9-1/4	7-23/64	1-37/64	15/16	2-11/16	29/32	3-25/32	3.7795	1.5630	3/4			12.17

* Add SP in front of the Unit No for Stainless Steel Bearing with Thermo-Plastic Housing (Eg. SP UCF 205)

Add C as suffix for both side Open cover (Eg. SP UCF 205 C)
or CD as suffix for one side Open & one side Closed cover (Eg. SP UCF 205 CD)

UCHA 2 (normal-duty)

**Screw Conveyor
Hanger Units**

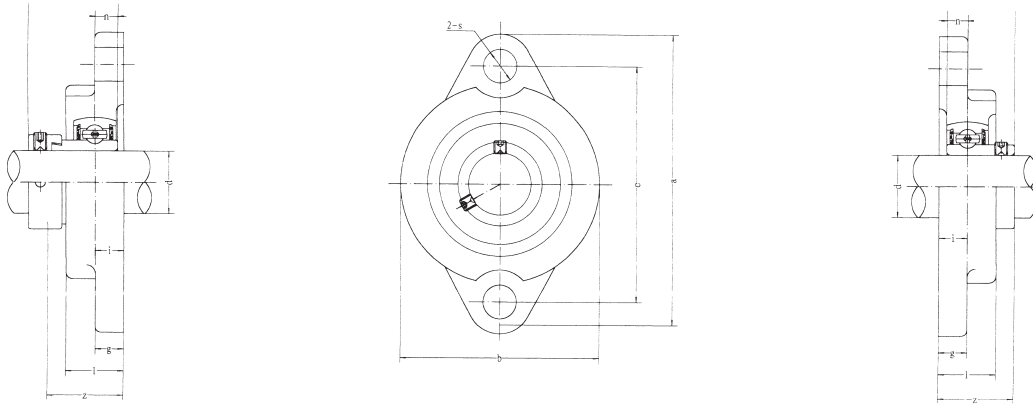


Unit No.	Dimensions ^{mm} / _{inch}										Bearing No.	Housing No.	Weight (kg)
	d	h	w	b	c	a	S	I	B	n			
UCHA 201	12	64	96	64	0	40		19	31	12.7	UC 201	HA204	0.73
UCHA 201-8	3/4										UC 201-8		0.72
UCHA 202	15										UC 202		0.72
UCHA 202-9	9/16										UC 202-9		0.72
UCHA 202-10	5/8	2-33/64	3-25/32	2-33/64	0	1-37/64	G-3/4	3/4	1.2205	0.500	UC 202-10		0.72
UCHA 203	17										UC 203		0.71
UCHA 203-11	11/16										UC 203-11		0.70
UCHA 204	20										UC 204		0.69
UCHA 204-12	3/4										UC 204-12	0.69	
UCHA 205	25	64	103	78	0	40		19	34.1	14.3	UC 205	HA205	0.83
UCHA 205-13	13/16										UC 205-13		0.87
UCHA 205-14	7/8	2-33/64	4-1/16	3-5/64	0	1-37/64	G-3/4	3/4	1.3425	0.563	UC 205-14		0.86
UCHA 205-15	15/16										UC 205-15		0.84
UCHA 205-16	1										UC 205-16		0.83
UCHA 206	30	64	103	78	0	40		19	38.1	15.9	UC 206	HA206	0.83
UCHA 206-17	1-1/16										UC 206-17		0.86
UCHA 206-18	1-1/8	2-33/64	4-1/16	3-5/64	0	1-37/64	G-3/4	3/4	1.5000	0.626	UC 206-18		0.85
UCHA 206-19	1-3/16										UC 206-19		0.83
UCHA 206-20	1-1/4										UC 206-20		0.82
UCHA 207	35	70	116	92	0	40		19	42.9	17.5	UC 207	HA207	1.16
UCHA 206-20	1-1/4										UC 207-20		1.22
UCHA 207-21	1-5/16	2-3/4	4-9/16	3-5/8	0	1-37/64	G-3/4	3/4	1.6890	0.689	UC 207-21		1.19
UCHA 207-22	1-3/8										UC 207-22		1.16
UCHA 207-23	1-7/16										UC 207-23		1.13
UCHA 208	40	73	121	96	2	40		19	49.2	19	UC 208	HA208	1.32
UCHA 208-24	1-1/2	2-7/8	4-49/64	3-25/32	5/64	1-37/64	G-3/4	3/4	1.9370	0.748	UC 208-24		1.36
UCHA 208-25	1-9/16										UC 208-25		1.33
UCHA 209	45	82	136	108	5	48		21	49.2	19	UC 209	HA209	1.92
UCHA 209-26	1-5/8										UC 209-26		2.02
UCHA 209-27	1-11/64	3-15/64	5-23/64	4-1/4	13/64	1-57/64	G-1	53/64	1.9370	0.748	UC 209-27		1.98
UCHA 209-28	1-3/4										UC 209-28		1.94
UCHA 210	50	83	142	118	5	48		21	51.6	19	UC 210	HA210	1.90
UCHA 210-29	1-13/16										UC 210-29		2.02
UCHA 210-30	1-7/8	3-17/64	5-19/32	4-41/64	13/64	1-57/64	G1	53/64	2.0315	0.748	UC 210-30		1.97
UCHA 210-31	1-15/16										UC 210-31		1.92
UCHA 210-32	2										UC 210-32		1.88
UCHA 211	55	87	150	126	7	60		25	55.6	22.2	UC 211	HA211	2.61
UCHA 211-32	2										UC 211-32		2.76
UCHA 211-33	2-1/16	3-27/64	5-29/32	4-61/64	9/32	2-23/64	G1-1/4	63/64	2.1890	0.874	UC 211-33		2.70
UCHA 211-34	2-1/8										UC 211-34		2.65
UCHA 211-35	2-3/16										UC 211-35		2.59
UCHA 212	60	102	173	142	9	60		28	65.1	25.4	UC 212	HA212	3.54
UCHA 212-36	2-1/4										UC 212-36		3.67
UCHA 212-37	2-5/16										UC 212-37		3.59
UCHA 212-38	2-3/8	4-1/64	6-13/16	5-19/32	23/64	2-23/64	G1-1/4	1-7/64	2.5630	1.000	UC 212-38		3.52
UCHA 212-39	2-7/16										UC 212-39		3.45
UCHA 213	65	117	200	166	9.5	70		32	65.1	25.4	UC 213	HA213	5.80
UCHA 213-40	2-1/2	4-39/64	7-7/8	6-17/32	3/8	2-3/4	G1-1/2	1-17/64	2.5630	1.000	UC 213-40		5.89
UCHA 213-41	2-9/16										UC 213-41		5.80

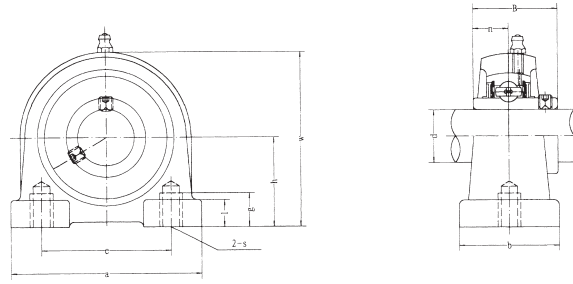
SALF 2
(with SA2 Bearing Insert)

(with SB2 Bearing Insert)

Flange Units

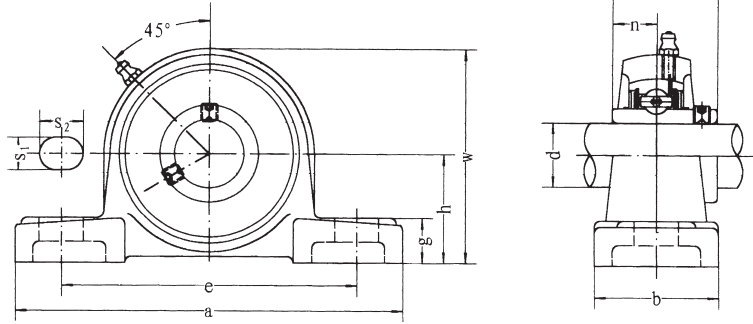


Unit No.	Dimensions mm inch								Bearing Size mm inch	SALF					SALF					Housing No.
	d	a	e	b	i	s	g	l		z	B ₁	n	Bearing No.	Weight (kg)	z	B	n	Bearing no.	Weight (kg)	
SALF 201	12	81	63.5	56	9.5	8	9.5	18	M6	31.6	28.6	6.5	SA 201		25.5	22	6	SB 201	0.3	LF203
SBLF 201-8	3/4											SA 201-8					SB 201-8			
202	15											SA 202					SB 202			
202-9	9/16	3-3/16	2-1/2	2-13/64	3/8	5/16	3/8	45/64	1/4	1-1/4	1.1260	0.2559	SA 202-9	0.3	1	0.8661	0.2362	SB 202-9		
202-10	5/8												SA 202-10					SB 202-10		
203	17												SA 203					SB 203		
203-11	11/16												SA 203-11					SB 203-11		
SALF 204	20	90	71.5	61	11	10	11	20	M8	34.5	31	7.5	SA 204		29	25	7	SB 204	0.3	LF204
SBLF 204-12	3/4	3-35/64	2-13/16	2-13/32	7/16	25/64	7/16	25/32	5/16	1-23/64	1.2204	0.2953	SA 204-12	0.4	1-9/64	0.9843	0.2756	SB 204-12		
SALF 205	25	95	76	64	11	10	11	20	M8	34.5	31	7.5	SA 205		30.5	27	7.5	SB 205	0.4	LF205
SBLF 205-13	13/16												SA 205-13					SB 205-13		
205-14	7/8	3-3/4	2-63/64	2-33/64	7/16	25/64	7/16	25/32	5/16	1-23/64	1.2204	0.2953	SA 205-14	0.5	1-13/64	1.0630	0.2953	SB 205-14		
205-15	15/16												SA 205-15					SB 205-15		
205-16	1												SA 205-16					SB 205-16		
SALF 206	30	113	90.5	76	12	12	12	22.5	M10	38.7	35.7	9	SA 206		34	30	8	SB 206	0.6	LF206
SBLF 206-17	1-1/16												SA 206-17					SB 206-17		
206-18	1-1/8	4-7/16	3-9/16	3	15/32	15/32	15/32	57/64	3/8	1-33/64	1.4055	0.3543	SA 206-18	0.7	1-11/32	1.1811	0.3150	SB 206-18		
206-19	1-3/16												SA 206-19					SB 206-19		
206-20	1-1/4												SA 206-20					SB 206-20		
SALF 207	35	122	100	89	13	12	13	24	M10	42.4	38.9	9.5	SA 207		36.5	32	8.5	SB 207	0.8	LF207
SBLF 207-20	1-1/4												SA 207-20					SB 207-20		
207-21	1-5/16	4-13/16	3-15/16	3-1/2	33/64	15/32	33/64	61/64	3/8	1-43/64	1.5315	0.3740	SA 207-21	0.9	1-7/16	1.2598	0.3346	SB 207-21		
207-22	1-3/8												SA 207-22					SB 207-22		
207-23	1-7/16												SA 207-23					SB 207-23		

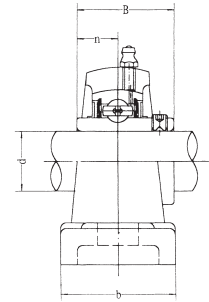
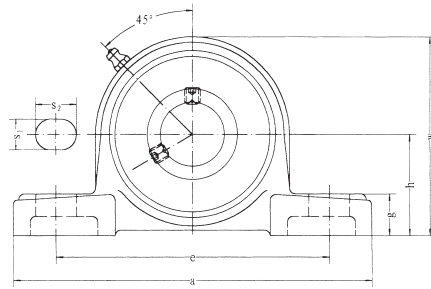


Unit No.	Dimensions <small>mm inch</small>											Bolt Size mm inch	Bearing No.	Housing No.	Weight (kg)
	d	h	a	e	b	S1	S2	g	w	B	n				
UCPA 201	12	30.2	76	52	40		15	11	62	31	12.7	M10	UC 201 UC 201-8 UC 202 UC 202-9 UC 202-10 UC 203 UC 203-11 UC 204 UC 204-12	PA204	0.6 0.59 0.59 0.59 0.59 0.58 0.57 0.56 0.56
UCPA 201-8	3/4														
UCPA 202	15														
UCPA 202-9	9/16														
UCPA 202-10	5/8	1-3/16	3	2-3/64	1-9/16	M10	19/32	7/16	2-7/16	1.2205	0.500				
UCPA 203	17														
UCPA 203-11	11/16														
UCPA 204	20														
UCPA 204-12	3/4														
UCPA 205	25	36.5	84	56	38		15	12	72	34.1	14.3	M10	UC 205 UC 205-13 UC 205-14 UC 205-15 UC 206-16	PA205	0.83 0.87 0.86 0.84 0.83
UCPA 205-13	13/16														
UCPA 205-14	7/8	1-7/16	3-5/16	2-13/64	1-1/2	M10	19/32	15/32	2-53/64	1.3425	0.563				
UCPA 205-15	15/16														
UCPA 205-16	1														
UCPA 206	30	42.9	94	66	50		18	12	84	38.1	15.9	M14	UC 206 UC 206-17 UC 206-18 UC 206-19 UC 206-20	PA206	1.12 1.15 1.14 1.12 1.11
UCPA 206-17	1-1/16														
UCPA 206-18	1-1/8	1-11/16	3-45/64	2-19/32	1-31/32	M14	45/64	15/32	3-5/16	1.5000	0.626				
UCPA 206-19	1-3/16														
UCPA 206-20	1-1/4														
UCPA 207	35	47.6	110	80	55		20	13	95	42.9	17.5	M14	UC 207 UC 207-20 UC 207-21 UC 207-22 UC 207-23	PA207	1.48 1.54 1.51 1.48 1.45
UCPA 207-20	1-1/4														
UCPA 207-21	1-5/16	1-7/8	4-21/64	3-5/32	2-11/64	M14	25/32	33/64	3-47/64	1.6890	0.689				
UCPA 207-22	1-3/8														
UCPA 207-23	1-7/16														
UCPA 208	40	49.2	116	84	58		20	13	100	49.2	19	M14	UC 208 UC 208-24 UC 208-25	PA208	1.89 1.93 1.90
UCPA 208-24	1-1/2	1-15/16	4-9/16	3-5/16	2-9/32	M14	25/32	33/64	3-15/16	1.9370	0.748				
UCPA 208-25	1-9/16														
UCPA 209	45	54.2	120	90	60		25	13	108	49.2	19	M14	UC 209 UC 209-26 UC 209-27 UC 209-28	PA209	1.98 2.08 2.04 2.00
UCPA 209-26	1-5/8														
UCPA 209-27	1-11/16	2-9/64	4-23/32	3-35/64	2-23/64	M14	63/64	33/64	4-1/4	1.9370	0.748				
UCPA 209-28	1-3/4														
UCPA 210	50	57.2	130	94	64		25	14	116	51.6	19				
UCPA 210-29	1-13/16														
UCPA 210-30	1-7/8	2-1/4	5-1/8	3-45/64	2-33/64	M16	63/64	35/64	4-9/16	2.0315	0.748				
UCPA 210-31	1-15/16														
UCPA 210-32	2														
UCPA 211	55	63.5	140	104	66		25	14	125	55.6	22.2	M16	UC 211 UC 211-32 UC 211-33 UC 211-34 UC 211-35	PA211	3.26 3.41 3.35 3.30 3.24
UCPA 211-32	2														
UCPA 211-33	2-11/16	2-1/2	5-33/64	4-3/32	2-19/32	M16	63/64	35/64	4-59/64	2.1890	0.874				
UCPA 211-34	2-1/8														
UCPA 211-35	2-3/16														
UCPA 212	60	69.9	150	114	68		25	15	138	65.1	25.4	M16	UC 212 UC 212-36 UC 212-37 UC 212-38 UC 212-39	PA212	4.19 4.32 4.24 4.17 4.10
UCPA 212-36	2-1/4														
UCPA 212-37	2-5/16	2-3/4	5-29/32	4-31/64	2-43/64	M16	63/64	19/32	5-7/16	2.5630	1.000				
UCPA 212-38	2-3/8														
UCPA 212-39	2-7/16														
UCPA 213	65	76.2	160	124	70		25	15	150	65.1	25.4	M16	UC 213 UC 213-40 UC 213-41	PA213	6.23 6.31 6.17
UCPA 213-40	2-1/2	3	6-19/64	4-7/8	2-3/4	M16	63/64	19/32	5-29/32	2.5630	1.000				
UCPA 213-41	2-9/16														

UCP 3 (heavy-duty)

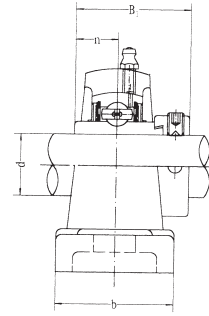
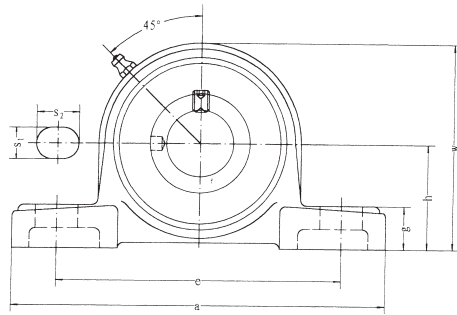


Unit No.	Dimensions <small>mm inch</small>											Bolt Size <small>mm inch</small>	Bearing No.	Housing No.	Weight (kg)
	d	h	a	e	b	S ₁	S ₂	g	w	B	n				
UCP 305	25	45	175	132	45	17	20	15	85	38	38	M14	UC 305	P305	1.4
UCP 305-13	13/16	1-49/64	6-7/8	5-3/16	1-25/32	43/64	25/32	19/32	3-11/32	1.4961	0.591	1/2	UC 305-13		
UCP 305-14	7/8												UC 305-14		
UCP 305-15	15/16												UC 305-15		
UCP 305-16	1												UC 305-16		
UCP 306	30	50	180	140	50	17	20	18	95	43	17	M14	UC 306	P306	1.8
UCP 306-17	1-1/16												UC 306-17		
UCP 306-18	1-1/8	1-31/32	7-3/32	5-1/2	1-31/32	43/64	25/32	23/32	3-3/4	1.6929	0.669	1/2	UC 306-18		
UCP 306-19	1-3/16												UC 306-19		
UCP 307	35	56	210	160	56	17	25	20	106	48	19	M14	UC 307	P307	2.8
UCP 307-20	1-1/4												UC 307-20		
UCP 307-21	1-5/16												UC 307-21		
UCP 307-22	1-3/8	1-13/64	8-9/32	6-5/16	2-13/64	43/64	31/32	25/32	4-3/16	1.8898	1.748	1/2	UC 307-22		
UCP 307-23	1-7/16												UC 307-23		
UCP 308	40	60	220	170	60	17	27	22	116	52	19	M14	UC 308	P308	3.0
UCP 308-24	1-1/2	2-23/64	8-21/32	6-11/16	2-3/8	43/64	1-11/16	7/8	4-9/16	2.0472	0.748	1/2	UC 308-24		
UCP 308-25	1-9/16												UC 308-25		
UCP 309	45	67	245	190	67	20	30	24	129	57	22	M16	UC 309	P309	4.1
UCP 309-26	1-5/8												UC 309-26		
UCP 309-27	1-11/16	2-41/64	9-21/32	7-15/32	2-5/8	25/32	1-3/16	15/16	5-3/32	2.2441	0.866	5/8	UC 309-27		
UCP 309-28	1-3/4												UC 309-28		
UCP 310	50	75	275	212	75	20	35	27	143	61	22	M16	UC 310	P310	5.8
UCP 310-29	1-13/16												UC 310-29		
UCP 310-30	1-7/8	2-61/64	10-13/16	8-11/32	2-15/16	25/32	1-3/8	1-1/16	5-5/8	2.4016	0.866	5/8	UC 310-30		
UCP 310-31	1-15/16												UC 310-31		
UCP 311	55	80	310	236	80	20	38	30	154	66	25	M16	UC 311	P311	7.4
UCP 311-32	2												UC 311-32		
UCP 311-33	2-1/16												UC 311-33		
UCP 311-34	2-1/8	3-5/32	12-7/32	9-9/32	3-5/32	25/32	1-1/2	1-9/16	6-1/16	2.5984	0.984	5/8	UC 311-34		
UCP 311-35	2-3/16												UC 311-35		
UCP 312	60	85	330	250	85	25	38	32	165	71	26	M20	UC 312	P312	9.4
UCP 312-36	2-1/4												UC 312-36		
UCP 312-37	2-5/16												UC 312-37		
UCP 312-38	2-3/8	3-11/32	13	9-17/32	3-11/32	31/32	1-1/2	1-1/4	6-1/2	2.7953	1.024	3/4	UC 312-38		
UCP 312-39	2-7/16												UC 312-39		
UCP 313	65	90	340	260	90	25	38	33	176	75	30	M20	UC 313	P313	10
UCP 313-40	2-1/2	3-35/64	13-3/8	10-1/4	3-17/32	31/32	1-1/2	1-5/16	6-15/16	2.9528	1.181	3/4	UC 313-40		
UCP 313-41	2-9/16												UC 313-41		
UCP 314	70	95	360	280	90	27	40	35	187	78	33	M22	UC 314	P314	12
UCP 314-42	2-5/8												UC 314-42		
UCP 314-43	2-11/16	3-47/64	14-3/16	11-1/32	3-17/32	1-1/16	1-9/16	1-3/8	7-3/8	3.0708	1.299	7/8	UC 314-43		
UCP 314-44	2-3/4												UC 314-44		
UCP 315	75	100	380	290	100	27	40	35	198	82	32	M22	UC 315	P315	14
UCP 315-45	2-13/16												UC 315-45		
UCP 315-46	2-7/8												UC 315-46		
UCP 315-47	2-15/16	3-15/16	14-31/32	11-13/32	3-15/16	1-1/16	1-9/16	1-3/8	7-25/32	3.2283	1.250	7/8	UC 315-47		
UCP 315-48	3												UC 315-48		
UCP 316	80	106	400	300	110	27	40	40	210	86	34	M22	UC 316	P316	18
UCP 316-49	3-1/16												UC 316-49		
UCP 316-50	3-1/8	4-11/64	15-3/4	11-13/16	4-11/32	1-1/16	1-9/16	1-9/16	8-9/32	3.3858	1.339	7/8	UC 316-50		
UCP 316-51	3-3/16												UC 316-51		
UCP 317	85	112	420	320	110	33	45	40	220	96	40	M27	UC 317	P317	20
UCP 317-52	3-1/4												UC 317-52		
UCP 317-53	3-5/16	4-13/32	16-17/32	12-19/32	4-11/32	1-5/16	1-25/32	1-9/16	8-21/32	3.7795	1.575	1	UC 317-53		
UCP 317-55	3-7/16												UC 317-55		
UCP 318	90	118	430	330	110	33	45	45	235	96	40	M27	UC 318	P318	24
UCP 318-55	3-7/16	4-41/64	16-15/16	13	4-11/32	1-5/16	1-25/32	1-25/32	9-1/4	3.7795	1.575	1	UC 318-55		
UCP 318-56	3-1/2												UC 318-56		
UCP 319	95	125	470	360	120	36	50	45	250	103	41	M30	UC 319	P319	29
UCP 319-58	3-5/8												UC 319-58		
UCP 319-59	3-11/16	4-59/64	18-1/2	14-3/16	4-23/32	1-13/32	1-31/32	1-25/32	9-27/32	4.0551	1.614	1-1/8	UC 319-59		
UCP 319-60	3-3/4												UC 319-60		
UCP 320	100	140	490	380	120	36	50	46	273	108	42	M30	UC 320	P320	35.1
UCP 320-64	4	5-29/32	19-9/32	14-31/32	4-23/32	1-13/32	1-31/32	1-13/16	10-3/4	4-1/4	1-21/32	1-1/8	UC 320-64		

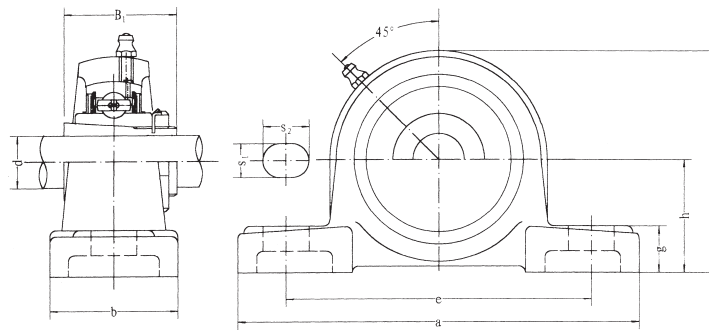


Unit No.	Dimensions ^{mm} / _{inch}											Bolt Size ^{mm} / _{inch}	Bearing No.	Housing No.	Weight (kg)
	d	h	a	e	b	S ₁	S ₂	g	w	B	n				
UCP X05	25	44.4	159	119	51	17	20	18	85	38.1	15.9	M14	UC X05	PX05	1.5
UCP X05-13	¹³ / ₁₆												UC X05-13		
UCP X05-14	⁷ / ₈	1- ³ / ₄	6- ¹ / ₄	4- ¹¹ / ₁₆	2	⁴⁹ / ₆₄	²⁵ / ₃₂	²³ / ₃₂	3- ¹¹ / ₃₂	1.5000	0.626	¹ / ₂	UC X05-14		
UCP X05-15	¹⁵ / ₁₆												UC X05-15		
UCP X05-16	1												UC X05-16		
UCP X06	30	47.6	175	127	57	17	20	20	93	42.9	17.5	M14	UC X06	PX06	2.0
UCP X06-17	1- ¹ / ₁₆												UC X06-17		
UCP X06-18	1- ¹ / ₈	1- ⁷ / ₈	6- ⁷ / ₈	5	2- ¹ / ₄	⁴⁹ / ₆₄	²⁵ / ₃₂	²⁵ / ₃₂	3- ²¹ / ₃₂	1.6890	0.689	¹ / ₂	UC X06-18		
UCP X06-19	1- ³ / ₁₆												UC X06-19		
UCP X06-20	1- ¹ / ₄												UC X06-20		
UCP X07	35	54.0	203	144	57	17	20	21	105	49.2	19	M14	UC X07	PX07	2.6
UCP X07-21	1- ⁵ / ₁₆												UC X07-21		
UCP X07-22	1- ³ / ₈	2- ¹ / ₈	8	5- ²¹ / ₃₂	2- ¹ / ₄	⁴⁹ / ₆₄	²⁵ / ₃₂	¹³ / ₁₆	4- ¹ / ₈	1.9370	0.748	¹ / ₂	UC X07-22		
UCP X07-23	1- ⁷ / ₁₆												UC X07-23		
UCP X08	40	58.7	222	156	67	20	23	26	111	49.2	19	M16	UC X08	PX08	3.3
UCP X08-24	1- ¹ / ₂	2- ⁵ / ₁₆	8- ³ / ₄	6- ⁵ / ₃₂	2- ⁵ / ₈	²⁵ / ₃₂	²⁹ / ₃₂	1- ¹ / ₃₂	4- ³ / ₈	1.9370	0.748	⁵ / ₈	UC X08-24		
UCP X08-25	1- ⁹ / ₁₆												UC X08-25		
UCP X09	45	58.7	222	156	67	20	23	26	116	51.6	19	M16	UC X09	PX09	3.3
UCP X09-26	1- ⁵ / ₈												UC X09-26		
UCP X09-27	1- ¹¹ / ₁₆	2- ⁵ / ₁₆	8- ³ / ₄	6- ⁵ / ₃₂	2- ⁵ / ₈	²⁵ / ₃₂	²⁹ / ₃₂	1- ¹ / ₃₂	4- ⁹ / ₁₆	2.0315	0.748	⁵ / ₈	UC X09-27		
UCP X09-28	1- ³ / ₄												UC X09-28		
UCP X09-29	1- ¹³ / ₁₆												UC X09-29		
UCP X10	50	63.5	241	171	73	20	23	27	126	55.6	22.2	M16	UC X10	PX10	4.3
UCP X10-30	1- ⁷ / ₈												UC X10-30		
UCP X10-31	1- ¹⁵ / ₁₆	2- ¹ / ₂	9- ¹ / ₂	6- ⁴⁷ / ₆₄	2- ⁷ / ₈	²⁵ / ₃₂	²⁹ / ₃₂	1- ¹ / ₁₆	4- ³¹ / ₃₂	2.1890	0.874	⁵ / ₈	UC X10-31		
UCP X10-32	2												UC X10-32		
UCP X11	55	69.8	260	184	79	25	28	30	137	65.1	25.4	M20	UC X11	PX11	5.7
UCP X11-33	2- ¹ / ₁₆												UC X11-33		
UCP X11-34	2- ¹ / ₈												UC X11-34		
UCP X11-35	2- ³ / ₁₆	2- ³ / ₄	10- ¹ / ₄	7- ¹ / ₄	3- ¹ / ₈	³¹ / ₃₂	1- ³ / ₃₂	1- ³ / ₁₆	5- ³¹ / ₃₂	2.5630	1.000	³ / ₄	UC X11-35		
UCP X11-36	2- ¹ / ₄												UC X11-36		
UCP X11-37	2- ⁵ / ₁₆												UC X11-37		
UCP X12	60	76.2	286	203	8.3	25	28	33	151	65.1	25.4	M20	UC X12	PX12	7.3
UCP X12-38	2- ³ / ₈	3	11- ¹ / ₄	8	3- ⁹ / ₃₂	³¹ / ₃₂	1- ³ / ₃₂	1- ⁵ / ₁₆	5- ¹⁵ / ₁₆	2.5630	1.000	³ / ₄	UC X12-38		
UCP X12-39	2- ⁷ / ₁₆												UC X12-39		
UCP X13	65	76.2	286	203	8.3	25	28	33	154	74.6	30.2	M20	UC X13	PX13	7.6
UCP X13-40	2- ¹ / ₂	3	11- ¹ / ₄	8	3- ⁹ / ₃₂	⁶³ / ₆₄	1- ³ / ₃₂	1- ⁵ / ₁₆	6- ¹ / ₁₆	2.9370	1.189	³ / ₄	UC X13-40		
UCP X13-41	2- ⁹ / ₁₆												UC X13-41		
UCP X14	70	88.9	33.0	229	89	27	30	35	170	77.8	33.3	M22	UC X14	PX14	9.9
UCP X14-42	2- ⁵ / ₈												UC X14-42		
UCP X14-43	2- ¹¹ / ₁₆	3- ¹ / ₂	13	9- ¹ / ₃₂	3- ¹ / ₂	1- ¹ / ₁₆	1- ³ / ₁₆	1- ³ / ₈	6- ¹¹ / ₁₆	3.0630	1.311	⁷ / ₈	UC X14-43		
UCP X14-44	2- ³ / ₄												UC X14-44		
UCP X15	75	88.9	330	229	89	27	30	35	175	82.6	33.3	M22	UC X15	PX15	11
UCP X15-45	2- ¹³ / ₁₆												UC X15-45		
UCP X15-46	2- ⁷ / ₈	3- ¹ / ₂	13	9- ¹ / ₃₂	3- ¹ / ₂	1- ¹ / ₁₆	1- ³ / ₁₆	1- ³ / ₈	6- ⁷ / ₈	3.2520	1.311	⁷ / ₈	UC X15-46		
UCP X15-47	2- ¹⁵ / ₁₆												UC X15-47		
UCP X15-48	3												UC X15-48		
UCP X16	80	101.6	381	283	102	27	30	40	194	85.7	34.1	M22	UC X16	PX16	15
UCP X16-49	3- ¹ / ₁₆												UC X16-49		
UCP X16-50	3- ¹ / ₈	4	15	11- ⁵ / ₃₂	4- ¹ / ₃₂	1- ¹ / ₁₆	1- ³ / ₁₆	1- ⁹ / ₁₆	7- ⁵ / ₈	3.3740	1.343	⁷ / ₈	UC X16-50		
UCP X16-51	3- ³ / ₁₆												UC X16-51		
UCP X16-52	3- ¹ / ₄												UC X16-52		
UCP X17	85	101.6	381	283	102	27	30	40	200	96	39.7	M22	UC X17	PX17	16
UCP X17-53	3- ⁵ / ₁₆	4	15	11- ⁵ / ₃₂	4- ¹ / ₃₂	1- ¹ / ₁₆	1- ³ / ₁₆	1- ⁹ / ₁₆	7- ⁷ / ₈	3.7795	1.563	⁷ / ₈	UC X17-53		
UCP X17-55	3- ⁷ / ₁₆												UC X17-55		

Pillow Blocks



Unit No.	Dimensions <small>mm inch</small>											Bolt Size <small>mm inch</small>	Bearing No.	Housing No.	Weight (kg)
	d	h	a	e	b	S ₁	S ₂	g	w	B ₁	n				
NAP 204	20	33.3	127	95	38	13	19	14	65	43.7	17.1	M10	NA 204	P204	0.73
NAP 204-12	3/4	1-5/16	5	3-3/4	1-1/2	1/2	3/4	9/16	2-9/16	1.720	0.673	3/8	NA 204-12		0.73
NAP 205	25	36.5	140	105	38	13	19	15	71	44.4	17.5	M10	NA 205	P205	0.88
NAP 205-13	19/16												NA 205-13		0.93
NAP 205-14	7/8	1-7/16	5-1/2	4-1/8	1-1/2	1/2	3/4	19/32	2-25/32	1.748	0.689	3/8	NA 205-14		0.92
NAP 205-15	15/16												NA 205-15		0.90
NAP 205-16	1												NA 205-16		0.88
NAP 206	30	42.9	165	121	48	17	20	17	84	48.4	18.3	M14	NA 206	P206	1.37
NAP 206-17	1-1/16												NA 206-17		1.42
NAP 206-18	1-1/8	1-11/16	6-1/2	4-3/4	1-7/8	43/64	25/32	21/32	3-5/16	1.906	0.720	1/2	NA 206-18		1.39
NAP 206-19	1-3/16												NA 206-19		1.37
NAP 206-20	1-4/1												NA 206-20		1.34
NAP 207	35	47.6	167	127	48	17	20	18	93	51.1	18.8	M14	NA 207	P207	1.70
NAP 207-20	1-4/1												NA 207-20		1.77
NAP 207-21	1-5/16	1-7/8	6-9/16	5	1-7/8	43/64	25/32	45/64	3-21/32	2.012	0.740	1/2	NA 207-21		1.73
NAP 207-22	1-3/8												NA 207-22		1.70
NAP 207-23	1-7/16												NA 208-23		1.67
NAP 208	40	49.2	184	137	54	17	20	18	100	56.3	21.4	M14	NA 208	P208	2.04
NAP 208-24	1-1/2	1-15/16	7-1/4	5-13/32	2-1/8	43/64	25/32	45/64	3-15/16	2.217	0.843	1/2	NA 208-24		2.09
NAP 208-25	1-9/16												NA 208-25		2.05
NAP 209	45	54.0	190	146	54	17	20	20	106	56.3	21.4	M14	NA 209	P209	2.31
NAP 209-26	1-5/8												NA 209-26		2.42
NAP 209-27	1-11/16	2-1/8	7-15/32	5-3/4	2-1/8	43/64	25/32	25/32	4-11/64	2.217	0.843	1/2	NA 209-27		2.37
NAP 209-28	1-3/4												NA 209-28		2.33
NAP 210	50	57.2	206	159	60	20	23	21	113	62.7	24.6	M16	NA 210	P210	2.85
NAP 210-29	1-13/16												NA 210-29		3.00
NAP 210-30	1-7/8	2-1/4	8-1/8	6-1/4	2-3/8	25/32	29/32	53/64	4-29/64	2.469	0.969	5/8	NA 210-30		2.94
NAP 210-31	1-15/16												NA 210-31		2.88
NAP 210-32	2												NA 210-32	2.82	
NAP 211	55	63.5	219	171	60	20	23	23	125	71.4	27.8	M16	NA 211	P211	3.52
NAP 211-32	2												NA 211-32		3.72
NAP 211-33	2-1/16	2-1/2	8-5/8	6-47/64	2-3/8	25/32	29/32	29/32	4-59/64	2.811	1.094	5/8	NA 211-33		3.64
NAP 211-34	2-1/8												NA 211-34		3.57
NAP 211-35	2-3/16												NA 211-35		3.49
NAP 212	60	69.8	241	184	70	20	23	25	138	77.8	31	M16	NA 212	P212	5.24
NAP 212-36	2-1/4												NA 212-36		5.40
NAP 212-37	2-5/16	2-3/4	9-1/2	7-1/4	2-3/4	25/32	29/32	63/64	5-7/16	3.063	1.220	5/8	NA 212-37		5.31
NAP 212-38	2-3/8												NA 212-38		5.26
NAP 212-39	2-7/16												NA 212-39		5.13
NAP 213	65	76.2	265	203	70	25	28	27	150	85.7	34.1	M20	NA 213	P213	5.71
NAP 213-40	2-1/2	3	10-7/16	8	2-3/4	63/64	1-3/32	1-1/16	5-29/32	3.374	1.343	3/4	NA 213-40		5.81
NAP 213-41	2-9/16												NA 213-41		5.70
NAP 214	70	79.4	266	210	72	25	28	27	156	85.7	34.1	M20	NA 214	P214	6.70
NAP 214-42	2-3/8												NA 214-42		6.94
NAP 214-43	2-11/16	3-1/8	10-15/32	8-17/64	2-27/32	63/64	1-3/32	1-1/16	6-9/64	3.374	1.343	3/4	NA 214-43		6.83
NAP 214-44	2-3/4												NA 214-44		6.71
NAP 215	75	82.6	275	217	74	25	28	28	162	92.1	37.3	M20	NA 215	P215	7.79
NAP 215-45	2-13/16												NA 215-45		8.09
NAP 215-46	2-7/8	3-1/4	10-53/64	8-35/64	2-29/32	63/64	1-3/32	1-3/32	6-3/8	3.626	1.426	3/4	NA 215-46		7.96
NAP 215-47	2-15/16												NA 215-47		7.83
NAP 215-48	3												NA 215-48		7.69

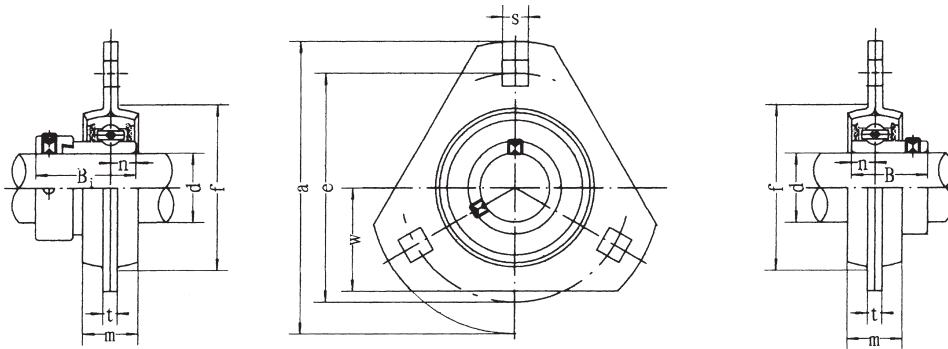


Unit No.	Dimensions <small>mm inch</small>											Bolt Size <small>mm inch</small>	Bearing No.		Housing No.	Weight (kg)
	d	h	a	e	b	S ₁	S ₂	g	w	t	B ₁					
UKP 205	20 3/4	36.5 1-7/16	140 5-1/2	105 4-1/8	38 1-1/2	13 1/2	19 3/4	15 19/32	71 2-25/32	48 1-57/64	35 1.378	M10 3/8	UK 205	H305 HE305	P 205	0.86
UKP 206	25 7/8 1	42.9 1-11/16	165 6-1/2	121 4-3/4	48 1-7/8	17 43/64	20 25/32	17 43/64	84 3-5/16	53 2-5/64	38 1.496	M14 1/2	UK 206	H306 HS306 HE306	P 206	1.28
UKP 207	30 1-1/8	47.6 1-7/8	167 6-9/16	127 5	48 1-7/8	17 43/64	20 25/32	18 45/64	93 3-21/32	59.5 2-11/32	43 1.693	M14 1/2	UK 207	H307 HS307	P 207	1.67
UKP 208	35 1-1/4 1-3/8	49.2 1-15/16	184 7-1/4	137 5-13/32	54 2-1/8	17 43/64	20 25/32	18 45/64	100 3-15/16	69 2-23/32	46 1.811	M14 1/2	UK 208	H308 HE308 HS308	P 208	1.99
UKP 209	40 1-7/16 1-1/2 1-5/8	54.0 2-1/8	190 7-15/32	146 5-3/4	54 2-1/8	17 43/64	20 25/32	20 25/32	106 4-11/64	69 2-23/32	50 1.969	M14 1/2	UK 209	H309 HA309 HE309 HS309	P 209	1.29
UKP 210	45 1-5/8 1-11/16 1-3/4	57.2 2-1/4	206 8-1/8	159 6-1/4	60 2-3/8	20 25/32	23 29/32	21 53/64	113 4-29/64	74.5 2-15/16	55 2.165	M16 5/8	UK 210	H310 HS310 HA310 HE310	P 210	2.83
UKP 211	50 1-7/8 1-15/16 2	63.5 2-1/2	219 8-5/8	171 6-47/64	60 2-3/8	20 25/32	23 29/32	23 29/32	125 4-59/64	76 3	59 2.323	M16 5/8	UK 211	H311 HS311 H3A11 HE311	P 211	3.46
UKP 212	55 2-1/8	69.8 2-3/4	241 9-1/2	184 7-1/4	70 2-3/4	20 25/32	23 29/32	25 63/64	138 5-7/16	89 3-1/2	62 2.441	M16 5/8	UK 212	H312 HS312	P 212	4.95
UKP 213	60 2-3/16 2-1/4 2-3/8	76.2 3	265 10-7/16	203 8	70 2-3/4	25 63/64	28 1-3/32	27 1-1/16	150 5-29/32	89 3-1/2	65 2.559	M20 3/4	UK 213	H313 HA313 HE313 HS313	P 213	5.06
UKP 215	65 2-7/16 2-1/2	82.6 3-1/4	275 10-53/64	217 8-35/64	74 2-29/32	25 63/64	28 1-3/32	28 1-3/32	162 6-3/8		73 2.874	M20 3/4	UK 215	H315 HA315 HE315	P 215	7.27
UKP 216	70 2-11/16 2-3/4	88.9 3-1/2	292 11-1/2	232 9-1/8	78 3-1/16	25 63/64	28 1-3/32	30 1-3/16	174 6-27/32		78 3.071	M20 3/4	UK 216	H316 HA316 HE316	P 216	8.36
UKP 217	75 2-15/16 3	95.2 3-3/4	310 12-13/64	247 9-23/32	83 3-17/64	25 63/64	28 1-3/32	32 1-1/4	185 7-9/32		82 3.228	M20 3/4	UK 217	H317 HA317 HE317	P 217	10.23
UKP 218	80 3-3/16	101.6 4	327 12-7/8	262 10-5/16	88 3-15/32	27 1-1/16	30 1-3/16	33 1-19/64	198 7-51/64		86 3.386	M22 7/8	UK 218	H318 HA318	P 218	12.34

SAPFT2
(with SA2 Bearing Insert)

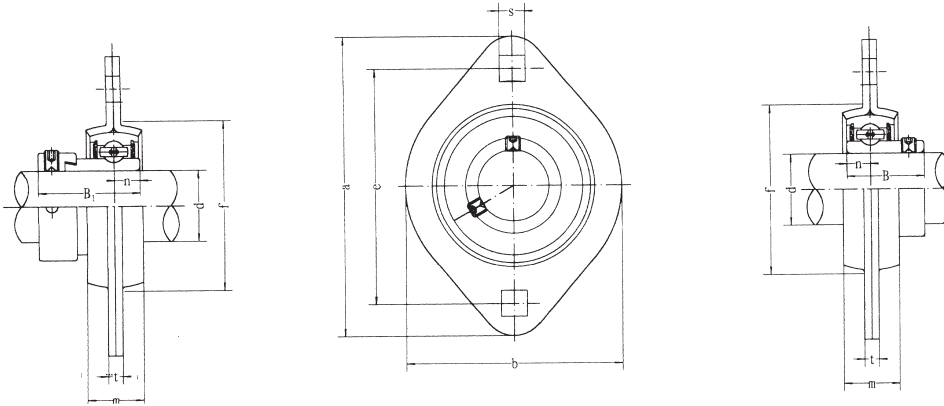
SBPFT2
(with SB2 Bearing Insert)

Pressed Housing Flange Units
(Light-duty)



Unit No.	Dimensions mm inch								Bolt Used mm inch	SAPFT			SBPFT				Housing No.	
	d	a	e	w	m	s	t	f (mm)		B ₁	n	Bearing No.	Weight (kg)	B	n	Bearing no.		Weight (kg)
SAPFT SBPFT 201	12	81	63.5	28.5	14	7.1	4	49	M6	28.6	6.5	SA 201		22	6	SB 201		
201-8	3/4											SA 201-8				SB 201-8		
202	15											SA 202				SB 202		
202-9	9/16	3-3/16	2-1/2	1-1/8	9/16	9/32	0.157	1-59/64	1/4	1.1260	0.2559	SA 202-9	0.26	0.8661	0.2362	SB 202-9	0.23	PFT203
202-10	5/8											SA 202-10				SB 202-10		
203	17											SA 203				SB 203		
203-11	11/16											SA 203-11				SB 203-11		
SAPFT SBPFT 204	20	90	71.5	33	16	9	4	56	M8	31	7.5	SA 204		25	7	SB 204		
204-12	3/4	3-35/64	2-13/16	1-19/64	5/8	23/64	0.157	2-13/64	5/16	1.2204	0.2953	SA 204-12	0.28	0.9843	0.2756	SB 204-12	0.28	PFT204
SBPFL SBPFL 205	25	95	76	35	18	9	4	60	M8	31	7.5	SA 205		27	7.5	SB 205		
205-13	13/16											SA 205-13				SB 205-13		
205-14	7/8	3-3/4	2-63/64	1-3/8	23/32	23/64	0.157	2-23/64	5/16	1.2204	0.2953	SA 205-14	0.36	1.0630	0.2953	SB 205-14	0.36	PFT205
205-15	15/16											SA 205-15				SB 205-15		
205-16	1											SA 205-16				SB 205-16		
SAPFT SBPFT 206	30	113	90.5	40	18	11	5.2	71	M10	35.7	9	SA 206		30	8	SB 206		
206-17	1-1/16											SA 206-17				SB 206-17		
206-18	1-1/8	4-7/16	3-9/16	1-37/64	23/32	7/16	0.205	2-51/64	3/8	1.4055	0.3543	SA 206-18	0.58	1.1811	0.3150	SB 206-18	0.55	PFT206
206-19	1-3/16											SA 206-19				SB 206-19		
206-20	1-1/4											SA 206-20				SB 206-20		
SAPFT SBPFT 207	35	122	100	44.5	20	11	5.2	81	M10	38.9	9.5	SA 207		32	8.5	SB 207		
207-20	1-1/4											SA 207-20				SB 207-20		
207-21	1-5/16	4-13/16	3-15/16	1-3/4	25/32	7/16	0.205	3-3/16	3/8	1.5315	0.3740	SA 207-21	0.82	1.2598	0.3346	SB 207-21	0.74	PFT207
207-22	1-3/8											SA 207-22				SB 207-22		
207-23	1-7/16											SA 207-23				SB 207-23		

Pressed Housing Flange Units
(Light-duty)

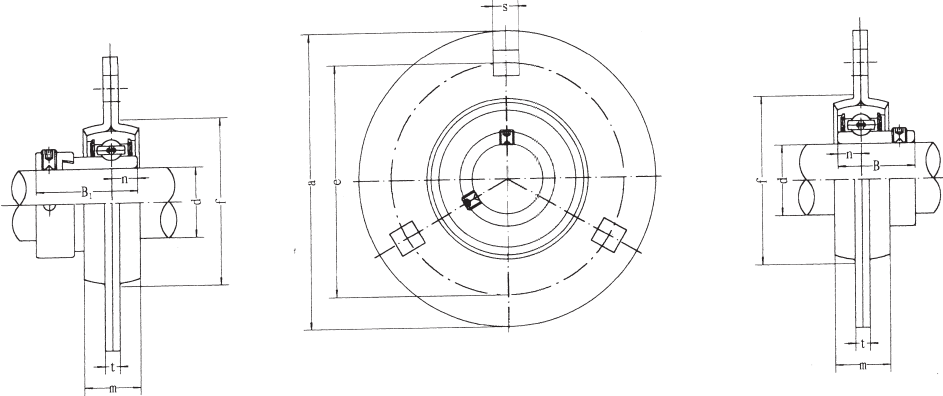


Unit No.	Dimensions <small>mm inch</small>								Bolt Used <small>mm inch</small>	SAPP			SBPP				Housing No.			
	d	a	e	b	m	s	t	f (mm)		B ₁	n	Bearing No.	Weight (kg)	B	n	Bearing no.		Weight (kg)		
SAPFL 201 SBPFL 201-8 202 202-9 202-10 203 203-11	12	81	63.5	59	14	7.1	4	49	M6	28.6	6.5	SA 201	0.22	22	6	SB 201	0.19	PFL203		
201-8	3/4										SA 201-8					SB 201-8				
202	15										SA 202					SB 202				
202-9	9/16	3-3/16	2-1/12	2-21/64	9/16	1-59/64	0.157	1-59/64	1/4	1.1260	0.2559	SA 202-9			0.8661	0.2362			SB 202-9	
202-10	5/8										SA 202-10					SB 202-10				
203	17										SA 203					SB 203				
203-11	11/16										SA 203-11					SB 203-11				
SAPFL 204 SAPFL 204-12	20	90	71.5	67	16	9	4	56	M8	31	7.5	SA 204	0.24	25	7	SB 204	0.24	PFL204		
204-12	3/4	3-35/64	2-13/16	2-41/64	5/8	23/64	0.157	2-13/64	5/16	1.2204	0.2953	SA 204-12			0.9843	0.2756			SB 204-12	
SBPFL 205 SBPFL 205-13 205-14 205-15 205-16	25	95	76	71	18	9	4	60	M8	31	7.5	SA 205	0.32	27	7.5	SB 205	0.28	PFL205		
205-13	13/16										SA 205-13					SB 205-13				
205-14	7/8	3-3/4	2-63/64	2-51/64	23/32	23/64	0.157	2-23/64	5/16	1.2204	0.2953	SA 205-14			1.0630	0.2953			SB 205-14	
205-15	15/16										SA 205-15					SB 205-15				
205-16	1										SA 205-16					SB 205-16				
SAPFL 206 SBPFL 206-17 206-18 206-19 206-20	30	113	90.5	84	18	11	5.2	71	M10	35.7	9	SA 206	0.41	30	8	SB 206	0.38	PFL206		
206-17	1-1/16										SA 206-17					SB 206-17				
206-18	1-1/8	4-7/16	3-9/16	3-5/16	23/32	7/16	0.205	2-51/64	3/8	1.4055	0.3543	SA 206-18			1.1811	0.3150			SB 206-18	
206-19	1-3/16										SA 206-19					SB 206-19				
206-20	1-1/4										SA 206-20					SB 206-20				
SAPFL 207 SBPFL 207-20 207-21 207-22 207-23	35	122	100	94	20	11	5.2	81	M10	38.9	9.5	SA 207	0.52	32	8.5	SB 207	0.50	PFL207		
207-20	1-1/4										SA 207-20					SB 207-20				
207-21	1-5/16	4-13/16	3-15/16	3-45/64	25/32	7/16	0.205	3-3/16	3/8	1.5315	0.3740	SA 207-21			1.2598	0.3346			SB 207-21	
207-22	1-3/8										SA 207-22					SB 207-22				
207-23	1-7/16										SA 207-23					SB 207-23				
SAPFL 208 SBPFL 208-24 208-25	40	148	119	100	21	13.5	6.8	91	M12	43.7	11	SA 208	0.83	34	9	SB 208	0.80	PFL208		
208-24	1-1/2										SA 208-24					SB 208-24				
208-25	1-9/16	5-13/16	4-11/16	3-15/16	13/16	17/32	0.268	3-37/64	1/2	1.7205	0.4331	SA 208-25			1.3386	0.3543			SB 208-25	

SAPF 2
(with SA2 Bearing Insert)

SBPF 2
(with SB2 Bearing Insert)

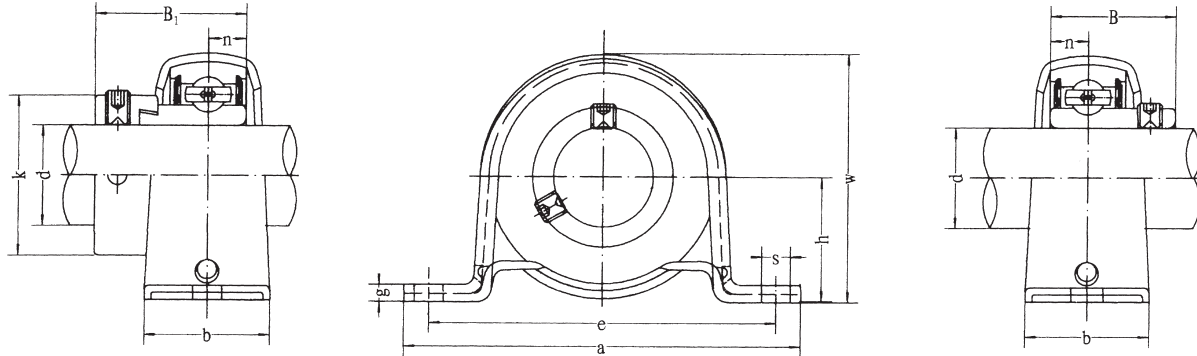
Pressed Housing Flange units
(Light-duty)



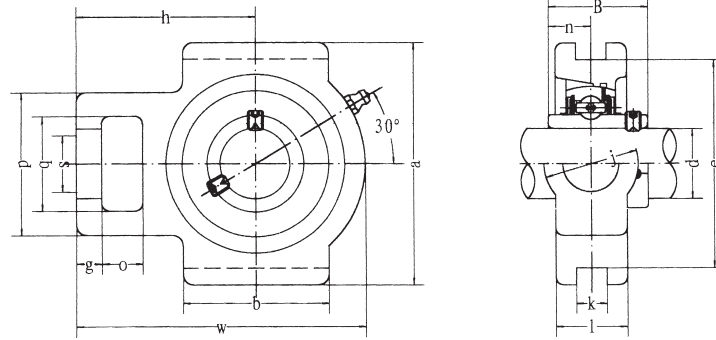
Unit No.	Dimensions ^{mm} / _{inch}							Bolt Used ^{mm} / _{inch}	SAPP			SBPP				Housing No.	
	d	a	e	m	s	t	f		B ₁	n	Bearing No.	Weight (kg)	B ₁	n	Bearing no.		Weight (kg)
SAPF 201	12	81	63.5	14	7.1	4	49	M6	28.6	6.5	SA 201		22	6	SB 201		
SBPF 201-8	3/4										SA 201-8				SB 201-8		
202	15										SA 202				SB 202		
202-9	9/16	3-3/16	2-1/2	9/16	9/32	0.157	1-59/64	1/4	1.1260	0.2559	SA 202-9	0.3	0.8661	0.2362	SB 202-9	0.27	PFL203
202-10	5/8										SA 202-10				SB 202-10		
203	17										SA 203				SB 203		
203-11	11/16										SA 203-11				SB 203-11		
SAPF 204	20	90	71.5	16	9	4	56	M8	31	7.5	SA 204	0.33	25	7	SB 204	0.33	PF204
SBPF 204-12	3/4	3-35/64	2-13/16	5/8	23/64	0.157	2-13/64	5/16	1.2204	0.2953	SA 204-12		0.9843	0.2756	SB 204-12		
SAPF 205	25	95	76	18	9	4	60	M8	31	7.5	SA 205		27	7.5	SB 205		
SBPF 205-13	13/16										SA 205-13				SB 205-13		
205-14	7/8	3-3/4	2-63/64	23/32	23/64	0.157	2-23/64	5/16	1.2204	0.2953	SA 205-14	0.42	1.0630	0.2953	SB 205-14	0.38	PF205
205-15	15/16										SA 205-15				SB 205-15		
205-16	1										SA 205-16				SB 205-16		
SAPF 206	30	113	90.5	18	11	5.2	71	M10	35.7	9	SA 206		30	8	SB 206		
SBPF 206-17	1-1/16										SA 206-17				SB 206-17		
206-18	1-1/8	4-7/16	3-9/16	23/32	7/16	0.205	2-51/64	3/8	1.4055	0.3543	SA 206-18	0.65	1.1811	0.3150	SB 206-18	0.62	PF206
206-19	1-3/16										SA 206-19				SB 206-19		
206-20	1-1/4										SA 206-20				SB 206-20		
SAPF 207	35	122	100	20	11	5.2	81	M10	38.9	9.5	SA 207		32	8.5	SB 207		
SBPF 207-20	1-1/4										SA 207-20				SB 207-20		
207-21	1-5/16	4-13/16	3-15/16	25/32	7/16	0.205	3-3/16	3/8	1.5315	0.3740	SA 207-21	0.9	1.2598	0.3346	SB 207-21	0.82	PF207
207-22	1-3/8										SA 207-22				SB 207-22		
207-23	1-7/16										SA 207-23				SB 207-23		
SAPF 208	40	148	119	21	13.5	6.8	91	M12	43.7	11	SA 208		34	9	SB 208		
SBPF 208-24	1-1/2	5-13/16	4-11/16	13/16	17/32	0.268	3-37/64	1/2	1.7205	0.4331	SA 208-24	1.15	1.3386	0.3543	SB 208-24	1.1	PF208 ¹
208-25	1-9/16										SA 208-25				SB 208-25		

¹ PF208, with 4 Bolts

Pressed Housing Pillow Blocks
(Light-duty)



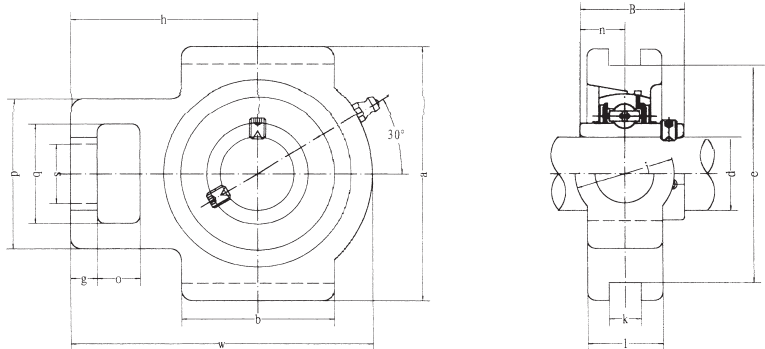
Unit No.	Dimensions mm inch								Bolt Used mm inch	SAPP			SBPP				Housing No.	
	d	h	a	e	b	s	g	w		B ₁	n	Bearing No.	Weight (kg)	B	n	Bearing no.		Weight (kg)
SAPP SBPP 201	12	22.2	86	68	25	9.5	3.2	43.8	M8	28.6	6.5	SA 201		22	6	SB 201		
201-8	3/4											SA 201-8				SB 201-8		
202	15											SA 202				SB 202		
202-9	9/16	7/8	3-3/8	2-43/64	63/64	3/8	0.126	1-23/32	5/16	1.1260	0.2559	SA 202-9	0.19	0.8661	0.2362	SB 202-9	0.16	PP203
202-10	5/8											SA 202-10				SB 202-10		
203	17											SA 203				SB 203		
203-11	11/16											SA 203-11				SB 203-11		
SAPP SBPP 204	20	25.4	98	76	32	9.5	3.2	50.5	M8	31	7.5	SA 204		25	7	SB 204		PP204
204-12	3/4	1	3-27/32	2-63/64	1-1/4	3/8	0.126	1-63/64	5/16	1.2204	0.2953	SA 204-12	0.23	0.9843	0.2756	SB 204-12	0.23	
SBPP SBPP 205	25	28.6	108	86	32	11.5	4	56.6	M10	31	7.5	SA 205		27	7.5	SB 205		
205-13	13/16											SA 205-13				SB 205-13		
205-14	7/8	1-1/8	4-1/4	3-25/64	1-1/4	29/64	0.157	2-15/64	3/8	1.2204	0.2953	SA 205-14	0.32	1.0630	0.2953	SB 205-14	0.28	PP205
205-15	15/16											SA 205-15				SB 205-15		
205-16	1											SA 205-16				SB 205-16		
SAPP SBPP 206	30	33.3	117	95	38	11.5	4	66.3	M10	35.7	9	SA 206		30	8	SB 206		
206-17	1-1/16											SA 206-17				SB 206-17		
206-18	1-1/8	1-5/16	4-39/64	3-47/64	1-1/2	29/64	0.157	2-39/64	3/8	1.4055	0.3543	SA 206-18	0.50	1.1811	0.3150	SB 206-18	0.47	PP206
206-19	1-3/16											SA 206-19				SB 206-19		
206-20	1-1/4											SA 206-20				SB 206-20		
SAPP SBPP 207	35	39.7	129	106	42	11.5	4.6	78	M10	38.9	9.5	SA 207		32	8.5	SB 207		
207-20	1-1/4											SA 207-20				SB 207-20		
207-21	1-5/16	1-9/16	5-5/64	4-5/32	1-21/32	29/64	0.181	3-1/8	3/8	1.5315	0.3740	SA 207-21	0.71	1.2598	0.3346	SB 207-21	0.57	PP207
207-22	1-3/8											SA 207-22				SB 207-22		
207-23	1-7/16											SA 207-23				SB 207-23		



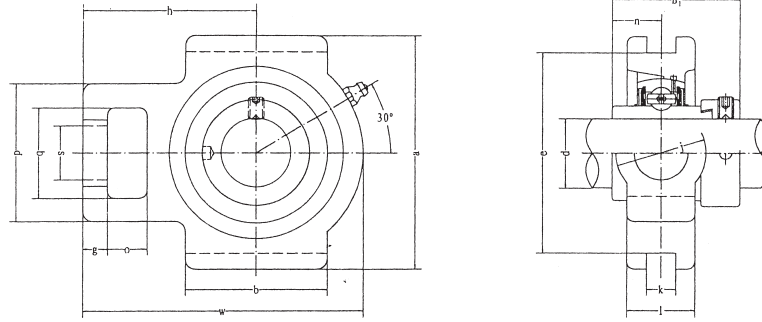
Unit No.	Dimensions mm inch																Bearing No.	Housing No.	Weight (kg)
	d	O	g	p	q	s	b	k	e	a	w	j	i	h	B ₁	n			
UCT 305 UCT 305-13 UCT 305-14 UCT 305-15 UCT 305-16	25 13/16 7/8 15/16 1	16 5/8	14 9/16	62 2-7/16	36 1-13/32	26 1-1/32	65 2-9/16	12 0.472	80 3-5/32	89 3-1/2	122 4-13/16	36 1-13/32	26 1-1/32	76 3	38 1.4961	15 0.591	UC 305 UC 305-13 UC 305-14 UC 205-15 UC 305-16	T305	1.4
UCT 306 UCT 306-17 UCT 306-18 UCT 306-19	30 1-1/16 1-1/8 1-3/16	18 23/32 5/8	16 5/8	70 2-3/4	41 1-5/8	28 1-3/32	74 2-29/32	16 0.630	90 3-55/64	100 3-15/16	137 5-13/32	41 1-5/8	28 1-3/32	85 3-11/32	43 1.6929	17 0.669	UC 306 UC 306-17 UC 306-18 UC 306-19	T306	1.8
UCT 307 UCT 307-20 UCT 307-21 UCT 307-22 UCT 307-23	35 1-1/4 1-5/16 1-3/8 1-7/16	20 25/32 43/64	17 43/64	75 2-15/16	45 1-25/32	30 1-3/16	80 2-5/32	16 0.630	100 3-15/16	111 4-3/8	150 5-29/32	45 1-25/32	32 1-1/4	94 3-11/16	48 1.8898	19 0.748	UC 307 UC 307-20 UC 307-21 UC 307-22 UC 307-23	T307	2.4
UCT 308 UCT 308-24 UCT 308-25	40 1-1/2 1-9/16	22 7/8 3/4	19 3/4	83 3-17/64	50 1-31/32	32 1-1/4	89 3-1/2	18 0.709	112 4-13/32	124 4-7/8	162 6-3/8	50 1-21/32	34 1-11/32	100 3-15/16	52 2.0472	19 0.748	UC 308 UC 308-24 UC 308-25	T308	3.0
UCT 309 UCT 309-26 UCT 309-27 UCT 309-28	45 1-5/8 1-11/16 1-3/4	24 15/16 25/32	20 25/32	90 3-17/32	55 2-5/32	34 1-11/32	97 3-13/16	18 0.709	125 4-59/64	138 5-7/16	178 7	55 2-5/32	38 1-1/2	100 4-11/32	57 2.2441	22 0.866	UC 309 UC 309-26 UC 309-27 UC 309-28	T309	5.0
UCT 310 UCT 310-29 UCT 310-30 UCT 310-31	50 1-13/16 1-7/8 1-15/16	27 1-1/16 7/8	22 7/8	98 3-27/32	61 2-13/32	37 1-15/32	106 4-3/16	20 0.787	140 5-33/64	151 5-15/16	192 7-9/16	61 2-13/32	40 1-9/16	118 4-21/32	61 2.4016	22 0.866	UC 310 UC 310-29 UC 310-30 UC 310-31	T310	5.0
UCT 311 UCT 311-32 UCT 311-33 UCT 311-34 UCT 311-35	55 2 2-1/16 2-1/8 2-3/16	29 1-15/16 29/32	23 29/32	105 4-1/8	66 2-19/32	39 1-17/32	115 4-17/32	22 0.866	150 5-29/32	163 6-13/32	207 8-5/32	66 2-19/32	44 1-23/32	127 5	66 2.5984	25 0.984	UC 311 UC 311-32 UC 311-33 UC 311-34 UC 311-35	T311	6.4
UCT 312 UCT 312-36 UCT 312-37 UCT 312-38 UCT 312-39	60 2-1/4 2-5/16 2-3/8 2-7/16	31 1-7/32 31/32	25 31/32	113 4-7/16	71 2-25/32	41 1-5/8	123 4-27/32	22 0.866	160 6-19/64	178 7	220 8-21/32	71 2-25/32	46 1-13/16	135 5-5/16	71 2.7953	26 1.024	UC 312 UC 312-36 UC 312-37 UC 312-38 UC 312-39	312	7.6
UCT 313 UCT 313-40 UCT 313-41	65 2-1/2 2-9/16	32 1-17/64 1-1/16	27 4-9/16	116 4-9/16	70 2-3/4	43 1-11/16	134 5-9/32	26 1.024	170 6-11/16	190 7-15/32	238 9-3/8	80 3-5/32	50 1-31/32	146 5-3/4	75 2.9528	30 1.181	UC 313 UC 313-40 UC 313-41	T313	9.7
UCT 314 UCT 314-42 UCT 314-43 UCT 314-44	70 2-5/8 2-11/16 2-3/4	36 1-13/32 1-1/16	27 1-1/16	130 5-1/8	85 3-11/32	46 1-13/16	140 5-1/2	26 1.024	180 7-3/32	202 7-15/16	252 9-29/32	90 3-17/32	52 2-1/16	155 6-3/32	78 3.2283	33 1.299	UC 314 UC 314-42 UC 314-43 UC 315-44	T314	11
UCT 315 UCT 315-45 UCT 315-46 UCT 315-47 UCT 315-48	75 2-13/16 2-7/8 2-15/16 3	36 1-13/32 1-1/16	27 1-1/16	132 5-3/16	85 3-11/32	46 1-13/16	150 5-29/32	26 1.024	192 7-9/16	216 8-1/2	262 10-5/16	90 3-17/32	55 2-5/32	160 6-5/16	82 3.2283	32 1.260	UC 315 UC 315-45 UC 315-46 UC 315-47 UC 315-48	T315	14
UCT 316 UCT 316-49 UCT 316-50 UCT 316-51	80 3-1/16 3-1/8 3-3/16	42 1-21/32 1-3/16	30 5-29/32	150 3-27/32	98 2-3/32	53 2-3/32	160 6-5/16	30 1.181	204 8-1/32	230 9-1/16	282 11-3/32	102 4-1/32	60 2-3/8	174 6-27/32	86 3.2283	34 1.260	UC 316 UC 316-49 UC 316-50 UC 316-51	T316	16
UCT 317 UCT 317-52 UCT 317-53 UCT 317-55	85 3-1/4 3-5/16 3-7/16	42 1-21/32 1-1/4	32 5-31/32	152 3-27/32	98 2-3/32	53 2-3/32	170 6-11/16	32 1.260	214 8-27/64	240 9-7/16	298 11-23/32	102 4-1/32	64 2-17/32	183 7-7/32	96 3.7795	40 1.575	UC 317 UC 317-52 UC 317-53 UC 317-55	T317	20
UCT 318 UCT 318-55 UCT 318-56	90 3-7/16 3-1/2	46 1-13/16 1-1/4	32 6-5/16	160 4-3/16	106 2-1/4	57 2-1/4	175 6-7/8	32 1.260	228 8-31/32	255 10-1/32	312 12-9/32	110 4-11/32	66 2-19/32	192 7-9/16	96 3.7795	40 1.575	UC 318 UC 318-55 UC 318-56	T318	22
UCT 319 UCT 319-58 UCT 319-59 UCT 319-60	95 3-5/8 3-11/16 3-3/4	46 1-13/16 1-5/16	33 6-1/2	165 4-3/16	106 2-1/4	57 2-1/4	180 7-3/32	35 1.378	240 9-26/64	270 10-5/8	322 12-11/16	110 4-11/32	72 2-27/32	197 7-3/4	103 4.0551	41 1.614	UC 319 UC 319-58 UC 319-59 UC 319-60	T319	24

Take-up Units

UCTX (medium-duty)



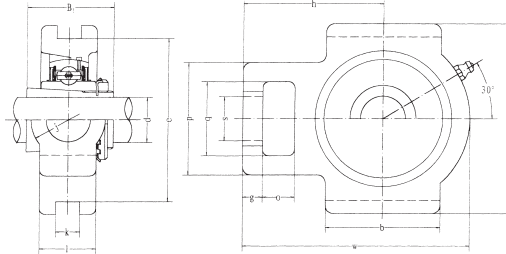
Unit No.	Dimensions ^{mm} _{inch}																Bearing No.	Housing No.	Weight (kg)
	d	O	g	p	q	s	b	k	e	a	w	j	i	h	B ₁	n			
UCT X05	25	16	12	56	37	22	57	12	89	102	113	28	37	70	38.1	15.9	UC X05	TX05	1.4
UCT X05-13	13/16																UC X05-13		
UCT X05-14	7/8	5/8	15/32	2-7/32	1-15/32	55/64	2-1/4	0.472	3-1/2	4-1/64	4-29/64	1-3/32	1-29/64	2-3/4	1.5000	0.626	UC X05-14		
UCT X05-15	15/16																UC X05-15		
UCT X05-16	1																UC X05-16		
UCT X06	30	16	15	64	37	22	64	12	89	102	129	30	37	78	42.9	17.5	UC X06	TX06	1.8
UCT X06-17	1-1/16																UC X06-17		
UCT X06-18	1-1/8	5/8	19/32	2-33/64	1-29/64	55/64	2-33/64	0.472	3-1/2	4-1/64	5-5/64	1-3/16	1-29/64	3-5/64	1.6890	0.689	UC X06-18		
UCT X06-19	1-3/16																UC X06-19		
UCT X06-20	1-1/4																UC X06-20		
UCT X07	35	19	17	83	49	29	83	16	102	114	144	36	49	88	49.2	19	UC X07	TX07	2.6
UCT X07-21	1-5/16																UC X07-21		
UCT X07-22	1-3/8	3/4	21/32	3-17/64	1-15/16	1-9/64	3-17/64	0.630	4-1/64	4-31/64	5-43/64	1-13/32	1-15/16	3-15/32	1.9370	0.748	UC X07-22		
UCT X07-23	1-7/16																UC X07-23		
UCT X08	40	19	17	83	49	29	83	16	102	117	144	36	49	87	49.2	19	UC X08		
UCT X08-24	1-1/2	3/4	21/32	3-17/64	1-15/16	1-9/64	3-17/64	0.630	4-1/64	4-39/64	5-43/64	1-13/32	1-15/16	3-27/64	1.9370	0.748	UC X08-24		
UCT X08-25	1-9/16																UC X08-25		
UCT X09	45	19	18	83	49	29	86	16	102	117	151	38	49	92	51.6	19	UC X09	TX09	2.8
UCT X09-26	1-5/8																UC X09-26		
UCT X09-27	1-11/16	3/4	23/32	3-17/64	1-15/16	1-9/64	3-25/64	0.630	4-1/64	4-39/64	5-15/16	1-1/2	1-15/16	3-5/8	2.0315	0.748	UC X09-27		
UCT X09-28	1-3/4																UC X09-28		
UCT X09-29	1-13/16																UC X09-29		
UCT X10	50	25	21	102	64	35	95	22	130	146	171	42	64	106	55.6	22.2	UC X10	TX10	4.3
UCT X10-30	1-7/8																UC X10-30		
UCT X10-31	1-15/16	63/64	13/16	4-1/64	2-1/32	1-3/8	3-3/4	0.866	5-1/8	5-3/4	6-47/64	1-21/32	2-33/64	4-11/64	2.1890	0.874	UC X10-31		
UCT X10-32	2																UC X10-32		
UCT X11	55	32	21	102	64	35	102	22	130	146	194	44	64	119	65.1	25.4	UC X11	TX11	5.2
UCT X11-33	2-1/16																UC X11-33		
UCT X11-34	2-1/8																UC X11-34		
UCT X11-35	2-3/16	1-17/64	13/16	4-1/64	2-1/32	1-3/8	4-1/64	0.866	5-1/8	5-3/4	7-41/64	1-23/32	2-33/64	4-11/16	2.5630	1.000	UC X11-35		
UCT X11-36	2-1/4																UC X11-36		
UCT X11-37	2-5/16																UC X11-37		
UCT X12	60	32	23	111	70	41	121	26	151	167	224	48	70	137	65.1	25.4	UC X12		
UCT X12-38	2-3/8	1-17/64	29/32	4-3/8	2-3/4	1-39/64	4-49/64	1.024	5-15/16	6-37/64	8-13/16	1-57/64	2-3/4	5-25/64	2.5630	1.000	UC X12-38		
UCT X12-39	2-7/16																UC X12-39		
UCT X13	65	32	23	111	70	41	121	26	151	167	224	48	70	137	74.6	30.2	UC X13	TX13	7.6
UCT X13-40	2-1/2	1-17/64	29/32	4-3/8	2-3/4	1-39/64	4-49/64	1.024	5-15/16	6-37/64	8-13/16	1-57/64	2-3/4	5-25/64	2.9370	1.189	UC X13-40		
UCT X13-41	2-9/16																UC X13-41		
UCT X14	70	32	23	111	70	41	121	26	151	167	232	48	70	140	77.8	33.3	UC X14	TX14	7.7
UCT X14-42	2-5/8																UC X14-42		
UCT X14-43	2-11/16	1-17/64	29/32	4-3/8	2-3/4	1-39/64	4-49/64	1.024	5-15/16	6-37/64	9-9/64	1-57/64	2-3/4	5-33/64	3.0630	1.311	UC X14-43		
UCT X14-44	2-3/4																UC X14-44		
UCT X15	75	32	23	111	70	41	121	28	165	184	235	48	70	140	82.6	33.3	UC X15	TX15	7.55
UCT X15-45	2-13/16																UC X15-45		
UCT X15-46	2-7/8	1-17/64	29/32	4-3/8	2-3/4	1-39/64	4-49/64	1.102	6-1/2	7-1/4	9-1/4	1-57/64	2-3/4	5-33/64	3.2520	1.311	UC X15-46		
UCT X15-47	2-15/16																UC X15-47		
UCT X15-48	3																UC X15-48		
UCT X16	80	38	30	124	73	48	157	28	173	198	260	54	73	162	85.7	34.1	UC X16	TX16	11
UCT X16-49	3-1/16																UC X16-49		
UCT X16-50	3-1/8	1-1/2	1-3/16	4-7/8	2-7/8	1-57/64	6-3/16	1.102	6-13/16	7-51/64	10-15/64	2-1/8	2-7/8	6-3/8	3.3740	1.343	UC X16-50		
UCT X16-51	3-1/16																UC X16-51		
UCT X16-52	3-1/4																UC X16-52		
UCT X17	85	38	30	124	73	48	157	28	173	198	560	54	73	162	96	39.7	UC X17	TX17	12
UCT X17-53	3-5/16	1-1/2	1-3/16	4-7/8	2-7/8	1-57/64	6-3/16	1.102	6-13/16	7-51/64	10-15/64	2-1/8	2-7/8	6-3/8	3.7795	1.5630	UC X17-53		
UCT X17-55	3-7/16																UC X17-55		



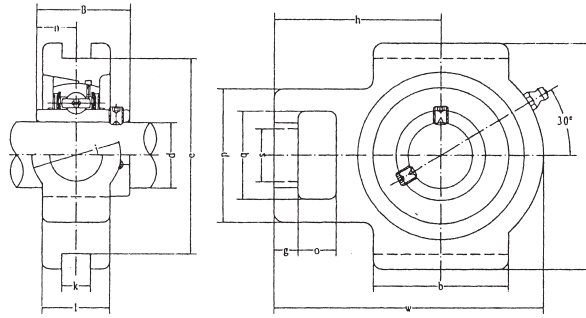
Unit No.	Dimensions ^{mm} / _{inch}																Bearing No.	Housing No.	Weight (kg)
	d	O	g	p	q	s	b	k	e	a	w	j	i	h	B ₁	n			
NAT 204	20	16	10	51	32	19	51	12	76	89	94	32	21	61	43.7	17.1	NA 204	T204	0.83
NAT 204-12	3/4	5/8	25/64	1-1/16	1-1/4	3/4	2-1/64	15/32	2-63/64	3-1/2	3-11/16	1-1/4	13/16	2-13/32	1.720	0.673	NA 204-12		0.83
NAT 205	25	16	10	51	32	19	51	12	76	89	97	32	24	62	44.4	17.5	NA 205	T205	0.88
NAT 205-13	13/16																NA 205-13		0.93
NAT 205-14	7/8	5/8	25/64	1-1/16	1-1/4	3/4	2-1/64	15/32	2-63/64	3-1/2	3-13/16	1-1/4	15/16	2-7/16	1.748	0.689	NA 205-14		0.92
NAT 205-15	15/16																NA 205-15		0.90
NAT 205-16	1																NA 205-16		0.88
NAT 206	30	16	10	56	37	22	57	12	89	102	113	37	28	70	48.4	18.3	NA 206	T206	1.35
NAT 206-17	1-1/16																NA 206-17		1.40
NAT 206-18	1-1/8	5/8	25/64	2-7/32	1-29/64	55/64	2-1/4	15/32	3-1/2	4-1/64	4-29/64	4-29/64	1-3/32	2-3/4	1.906	0.720	NA 206-18		1.37
NAT 206-19	1-3/16																NA 206-19		1.35
NAT 206-20	1-1/4																NA 206-20		1.32
NAT 207	35	16	13	64	37	22	64	12	89	102	129	37	30	78	51.1	18.8	NA 207	T207	1.56
NAT 207-20	1-1/4																NA 207-20		1.63
NAT 207-21	1-5/16	5/8	33/64	2-33/64	1-29/64	55/64	2-33/64	15/32	3-1/2	4-1/64	5-5/64	1-29/64	1-3/16	3-5/64	2.012	0.740	NA 207-21		1.59
NAT 207-22	1-3/8																NA 207-22		1.56
NAT 207-23	1-7/16																NA 207-23		1.53
NAT 208	40	19	16	83	49	29	83	16	102	114	144	49	33	89	56.3	21.4	NA 208	T208	2.55
NAT 208-24	1-1/2	3/4	5/8	3-17/64	1-15/16	1-9/64	3-17/64	5/8	4-1/64	4-31/64	4-43/64	1-15/16	1-5/16	3-1/2	2.217	0.843	NA 208-24		2.60
NAT 208-25	1-9/16																NA 208-25		2.56
NAT 209	45	19	16	83	49	29	83	16	102	117	144	49	35	87	56.3	21.4	NA 209		T209
NAT 209-26	1-5/8																NA 209-26	2.64	
NAT 209-27	1-11/16	3/4	5/8	3-17/64	1-15/16	1-9/64	3-17/64	5/8	4-1/64	4-39/64	5-43/64	1-15/16	1-3/8	3-27/64	2.217	0.843	NA 209-27	2.59	
NAT 209-28	1-3/4																NA 209-28	2.55	
NAT 210	50	19	16	83	49	29	86	16	102	117	149	49	37	90	62.7	24.6	NA 210	T210	
NAT 210-29	1-13/16																NA 210-29		2.77
NAT 210-30	1-7/8	3/4	5/8	3-17/64	1-15/16	1-9/64	3-25/64	5/8	4-1/64	4-39/64	5-55/64	1-15/16	1-15/32	3-35/64	2.469	0.969	NA 210-30		2.71
NAT 210-31	1-15/16																NA 210-31		2.65
NAT 210-32	2																NA 210-32		2.59
NAT 211	55	25	19	102	64	35	95	22	130	146	171	64	38	106	71.4	27.8	NA 211	T211	4.32
NAT 211-32	2																NA 211-32		4.52
NAT 211-33	2-1/16	53/64	3/4	4-1/64	2-1/32	1-3/8	3-3/4	55/64	5-1/8	5-3/4	6-47/64	2-33/64	1-1/2	4-11/64	2.811	1.094	NA 211-33		4.44
NAT 211-34	2-1/8																NA 211-34		4.37
NAT 211-35	2-3/16																NA 211-35		4.29
NAT 212	60	32	19	102	64	35	102	22	130	146	194	64	42	119	77.8	31	NA 212	T212	5.31
NAT 212-36	2-1/4																NA 212-36		5.47
NAT 212-37	2-5/16	1-17/64	3/4	4-1/64	2-1/32	1-3/8	4-1/64	55/64	5-1/8	5-3/4	7-41/64	2-33/64	1-21/32	4-11/16	3.063	1.220	NA 212-37		5.38
NAT 212-38	2-3/8																NA 212-38		5.33
NAT 212-39	2-7/16																NA 212-39		5.20
NAT 213	65	32	21	111	70	41	121	26	151	167	224	70	44	137	85.7	34.1	NA 213	T213	7.21
NAT 213-40	2-1/2	1-17/64	53/64	4-3/8	2-3/4	1-39/64	4-49/64	1-1/32	5-15/16	6-37/64	8-13/16	2-3/4	1-23/32	5-25/64	3.374	1.343	NA 213-40		7.31
NAT 213-41	2-9/16																NA 213-41		7.20
NAT 214	70	32	21	111	70	41	121	26	151	167	224	70	46	137	85.7	34.1	NA 214	T214	7.55
NAT 214-42	2-3/8																NA 214-42		7.79
NAT 214-43	2-11/16	1-17/64	53/64	4-3/8	2-3/4	1-39/64	4-49/64	1-1/32	5-15/16	6-37/64	8-13/16	2-3/4	1-13/16	5-25/64	3.374	1.343	NA 214-43		7.68
NAT 214-44	2-3/4																NA 214-44		7.56
NAT 215	75	32	21	111	70	41	121	26	151	167	232	70	48	140	92.1	37.3	NA 215	T215	8.04
NAT 215-45	2-13/16																NA 215-45		8.34
NAT 215-46	2-7/8	1-17/64	53/64	4-3/8	2-3/4	1-39/64	4-49/64	1-1/32	5-15/16	6-37/64	9-9/64	2-3/4	1-57/64	5-33/64	3.626	1.426	NA 215-46		8.21
NAT 215-47	2-15/16																NA 215-47		8.08
NAT 215-48	3																NA 215-48		7.94

UKT 2 (normal duty)

**Take-up Units
(Adapter mounted)**



Unit No.	Dimensions ^{mm} _{inch}															Bearing No.	Housing No.	No.	Weight (kg)
	d	o	g	p	q	s	b	k	e	a	w	j	l	h	B				
UKT 205	20 3/4	16 5/8	10 25/64	51 1-1/64	32 1-1/4	19 3/4	51 2-1/64	12 15/32	76 2-63/64	89 3-1/2	97 3-13/16	32 1-1/4	24 15/16	62 2-7/16	35 1.378	UK 205	T 205	H305 HE305	0.86
UKT 206	25 7/8 1	16 5/8	10 25/64	56 2-7/32	37 1-15/32	22 55/64	57 2-1/4	12 15/32	89 3-1/2	102 4-1/64	113 4-29/64	37 1-29/64	28 1-3/32	70 2-3/4	38 1.496	UK 206	T206	H306 HS306 HE306	1.26
UKT 207	30 1-1/8	16 5/8	13 33/64	64 2-33/64	37 1-15/32	22 55/64	64 2-33/64	12 15/32	89 3-1/2	102 4-1/64	129 5-5/64	37 1-29/64	30 1-3/16	78 3-5/64	43 1.693	UK 207	T207	H307 HS307	2.50
UKT 208	35 1-1/4 1-3/8	19 3/4	16 5/8	83 3-17/64	49 1-15/16	29 1-9/64	83 3-17/64	16 5/8	102 4-1/64	114 4-31/64	144 5-43/64	49 1-15/16	33 1-5/16	89 3-1/2	46 1.811	UK 208	T208	H308 HE308	2.50
UKT 209	40 1-7/16 1-1/2 1-5/8	19 3/4	16 5/8	83 3-17/64	49 1-15/16	29 1-9/64	83 3-17/64	16 5/8	102 4-1/64	117 4-39/64	144 5-43/64	49 1-15/16	35 1-3/8	87 3-27/64	50 1.969	UK 209	T209	H309 HA309 HE309 HS309	2.51
UKT 210	45 1-5/8 1-11/16 1-3/4	19 3/4	16 5/8	83 3-17/64	49 1-15/16	29 1-9/64	86 3-25/64	16 5/8	102 4-1/64	117 4-39/64	149 5-55/64	49 1-15/16	37 1-15/32	90 3-35/64	55 2.165	UK 210	T210	H310 HS310 HA310 HE310	2.60
UKT 211	50 1-7/8 1-15/16 2	25 63/64	19 3/4	102 4-1/64	64 2-1/32	35 1-3/8	95 3-3/4	22 55/64	130 5-1/8	146 5-3/4	171 6-47/64	64 2-33/64	38 1-1/2	106 4-11/64	59 2.323	UK 211	T211	H311 HS311 HA311 HE311	4.26
UKT 212	55 2-1/8	32 1-17/64	19 3/4	102 4-1/64	64 2-1/32	35 1-3/8	102 4-1/64	22 55/64	130 5-1/8	146 5-3/4	194 7-1/64	64 2-33/64	42 1-21/32	119 4-11/16	62 2.441	UK 212	T212	H312 HS312	5.02
UKT 213	60 2-3/16 2-1/4 2-3/8	32 1-17/64	21 53/64	111 4-3/8	70 2-3/4	41 1-39/64	121 4-49/64	26 1-1/32	151 5-15/16	167 6-37/64	224 8-13/16	70 2-3/4	44 1-23/32	137 5-25/64	65 2.559	UK 213	T213	H313 HA313 HE313 HS313	6.56
UKT 215	65 2-7/16 2-1/2	32 1-17/64	21 53/64	111 4-3/8	70 2-3/4	41 1-39/64	121 4-49/64	26 1-1/32	151 5-15/16	167 6-37/64	232 9-9/64	70 2-3/4	48 1-57/64	140 5-33/64	73 2.874	UK 215	T215	H315 HA315 HE315	7.52
UKT 216	70 2-11/16 2-3/4	32 1-17/64	21 53/64	11 4-3/8	70 2-3/4	41 1-39/64	121 4-49/64	26 1-1/32	165 6-1/2	184 7-1/4	235 9-1/4	70 2-3/4	51 2	140 5-33/64	78 3.071	UK 216	T216	H316 HA316 HE316	8.56
UKT 217	75 2-15/16 3	38 1-1/2	29 1-9/64	124 4-7/8	73 2-7/8	48 1-57/64	157 6-3/16	30 1-3/16	173 6-13/16	198 7-51/64	260 10-15/64	73 2-7/8	54 2-1/8	162 6-3/8	82 3.228	UK 217	T217	H317 HA317 HE317	11.38



Unit No.	Dimensions ^{mm} inch																Bearing No.	Housing No.	Weight (kg)
	d	O	q	p	g	S	b	k	e	a	w	j	l	h	B	n			
UCT 201 UCT 201-8	12 3/4	16 5/8	10 25/64	51 1-1/64	32 1-1/4	19 3/4	51 2-1/64	12 15/32	76 2-53/64	89 3-1/2	94 3-11/16	32 1-1/4	21 13/16	61 2-13/32	31 1.2205	12.7 0.500	UC 201 UC 201-8	T204	0.80 0.79
UCT 202 UCT 202-9 UCT 202-10	15 9/16 5/8	16 5/8	10 25/64	51 1-1/64	32 1-1/4	19 3/4	51 2-1/64	12 15/32	76 2-53/64	89 3-1/2	94 3-11/16	32 1-1/4	21 13/16	61 2-13/32	31 1.2205	12.7 0.500	UC 202 UC 202-9 UC 202-10	T204	0.79 0.79 0.79
UCT 203 UCT 203-11	17 11/16	16 5/8	10 25/64	51 1-1/64	32 1-1/4	19 3/4	51 2-1/64	12 15/32	76 2-53/64	89 3-1/2	94 3-11/16	32 1-1/4	21 13/16	61 2-13/32	31 1.2205	12.7 0.500	UC 203 UC 203-11	T204	0.78 0.77
UCT 204 UCT 204-12	20 3/4	16 5/8	10 25/64	51 1-1/64	32 1-1/4	19 3/4	51 2-1/64	12 15/32	76 2-53/64	89 3-1/2	94 3-11/16	32 1-1/4	21 13/16	61 2-13/32	31 1.2205	12.7 0.500	UC 204 UC 204-12	T204	0.76 0.76
UCT 205 UCT 205-13 UCT 205-14 UCT 205-15 UCT 205-16	25 13/16 7/8 15/16 1	16 5/8	10 25/64	51 1-1/64	32 1-1/4	19 3/4	51 2-1/64	12 15/32	76 2-53/64	89 3-1/2	97 3-13/16	32 1-1/4	24 15/16	62 2-7/16	34.1 1.3425	14.3 0.563	UC 205 UC 205-13 UC 205-14 UC 205-15 UC 205-16	T205	0.81 0.85 0.84 0.82 0.81
UCT 206 UCT 206-17 UCT 206-18 UCT 206-19 UCT 206-20	30 1-1/16 1-1/8 1-3/16 1-1/4	16 5/8	10 25/64	56 2-7/32	37 1-29/64	22 55/64	57 2-1/4	12 15/32	89 3-1/2	102 4-1/64	113 4-29/64	37 1-29/64	28 1-3/32	70 2-3/4	38.1 1.5000	15.9 0.626	UC 206 UC 206-17 UC 206-18 UC 206-19 UC 206-20	T206	1.22 1.23 1.24 1.22 1.21
UCT 207 UCT 207-20 UCT 207-21 UCT 207-22 UCT 207-23	35 1-1/4 1-5/16 1-3/8 1-7/16	16 5/8	13 33/64	64 2-33/64	37 1-29/64	22 55/64	64 2-33/64	12 15/32	89 3-1/2	102 4-1/64	129 5-5/64	37 1-29/64	30 1-3/16	78 3-5/64	42.9 1.6890	17.5 0.689	UC 207 UC 207-20 UC 207-21 UC 207-22 UC 207-23	T207	1.44 1.50 1.46 1.44 1.41
UCT 208 UCT 208-24 UCT 208-25	40 1-1/2 1-9/16	19 3/4	16 5/8	83 3-17/64	49 1-15/16	29 1-9/64	83 3-17/64	16 5/8	102 4-1/64	114 4-31/64	144 5-43/64	49 1-15/16	33 1-5/16	89 3-1/2	49.2 1.9370	19 0.748	UC 208 UC 208-24 UC 208-25	T208	2.40 2.44 2.41
UCT 209 UCT 209-26 UCT 209-27 UCT 209-28	45 1-5/8 1-11/16 1-3/4	19 3/4	16 5/8	83 3-17/64	49 1-15/16	29 1-9/64	83 3-17/64	16 5/8	102 4-1/64	117 4-39/64	144 5-43/64	49 1-15/16	35 1-3/8	87 3-27/64	49.2 1.9370	19 0.748	UC 209 UC 209-26 UC 209-27 UC 209-28	T209	2.36 2.46 2.42 2.38
UCT 210 UCT 210-29 UCT 210-30 UCT 210-31 UCT 210-32	50 1-13/16 1-7/8 1-15/16 2	19 3/4	16 5/8	83 3-17/64	49 1-15/16	29 1-9/64	86 3-17/64	16 5/8	102 4-1/64	117 4-39/64	149 5-55/64	49 1-15/16	37 1-15/32	90 3-35/64	51.6 2.0315	19 0.748	UC 210 UC 210-29 UC 210-30 UC 210-31 UC 210-32	T210	2.43 2.55 2.50 2.45 2.41
UCT 211 UCT 211-32 UCT 211-33 UCT 211-34 UCT 211-35	55 2 2-1/16 2-1/8 2-3/16	25 53/64	19 3/4	102 4-1/64	64 2-1/32	35 1-3/8	95 3-3/4	22 55/64	130 5-1/8	146 5-3/4	171 6-47/64	64 2-33/64	38 1-1/2	106 4-11/64	55.6 2.1890	22.2 0.874	UC 211 UC 211-32 UC 211-33 UC 211-34 UC 211-35	T211	4.11 4.26 4.20 4.15 4.09
UCT 212 UCT 212-36 UCT 212-37 UCT 212-38 UCT 212-39	60 2-1/4 2-5/16 2-3/8 2-7/16	32 1-17/64	19 3/4	102 4-1/64	64 2-1/32	35 1-3/8	102 4-1/64	22 55/64	130 5-1/8	146 5-3/4	194 7-41/64	64 2-33/64	42 1-21/32	119 4-11/16	65.1 2.5630	25.4 1.000	UC 212 UC 212-36 UC 212-37 UC 212-38 UC 212-39	T212	4.97 5.10 5.02 4.95 4.88
UCT 213 UCT 213-40 UCT 213-41	65 2-1/2 2-9/16	32 1-17/64	21 53/64	111 4-3/8	70 2-3/4	41 1-39/64	121 4-49/64	26 1-1/32	151 5-15/16	167 6-37/64	224 8-13/16	70 2-3/4	44 1-23/32	137 5-25/64	65.1 2.5630	25.4 1.000	UC 213 UC 213-40 UC 213-41	T213	6.65 6.74 6.65
UCT 214 UCT 214-42 UCT 214-43 UCT 214-44	70 2-5/8 2-11/16 2-3/4	32 1-17/64	21 53/64	111 4-3/8	70 2-3/4	41 1-39/64	121 4-49/64	26 1-1/32	151 5-15/16	167 6-37/64	224 8-13/16	70 2-3/4	46 1-13/16	137 5-25/64	74.6 2.9370	30.2 1.189	UC 214 UC 214-42 UC 214-43 UC 214-44	T214	7.05 7.26 7.16 7.06
UCT 215 UCT 215-45 UCT 215-46 UCT 215-47 UCT 215-48	75 2-13/16 2-7/8 2-15/16 3	32 1-17/64	21 53/64	111 4-3/8	70 2-3/4	41 1-39/64	121 4-49/64	26 1-1/32	151 5-15/16	167 6-37/64	232 9-9/64	70 2-3/4	48 1-57/64	140 5-33/64	77.8 3.0630	33.3 1.311	UC 215 UC 215-45 UC 215-46 UC 215-47 UC 215-48	T215	7.41 7.66 7.55 7.44 7.32
UCT 216 UCT 216-49 UCT 216-50 UCT 216-51	80 3-1/16 3-1/8 3-3/16	32 1-17/64	21 53/64	111 4-3/8	70 2-3/4	41 1-39/64	121 4-49/64	26 1-1/32	165 6-1/2	184 7-1/4	235 9-1/4	70 2-3/4	51 2	140 5-33/64	82.6 3.2520	33.3 1.311	UC 216 UC 216-49 UC 216-50 UC 216-51	T216	8.30 8.48 8.35 8.22
UCT 217 UCT 217-52 UCT 217-53 UCT 217-55	85 3-1/4 3-5/16 3-7/16	38 1-1/2	29 1-9/64	124 4-7/8	73 2-7/8	48 1-57/64	157 6-3/16	30 1-3/16	173 6-13/16	198 7-51/64	260 10-15/64	73 2-7/8	54 2-1/8	162 6-3/8	85.7 3.3740	34.1 1.343	UC 217 UC 217-52 UC 217-53 UC 217-55	T217	11.00 11.22 11.09 10.80