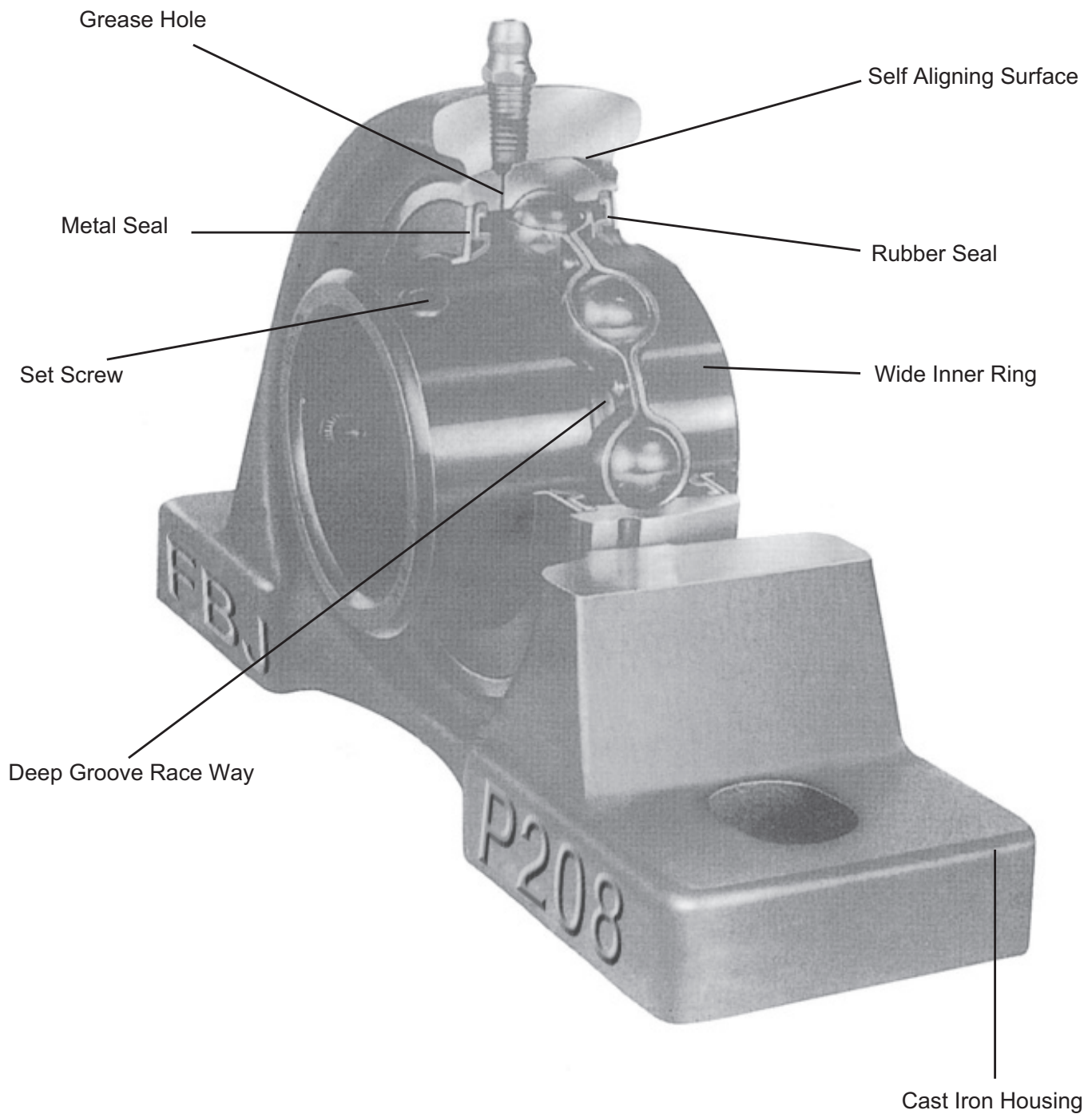
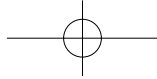


**FBJ<sup>®</sup>**

# Pillow Block Basic Structure

Bearing Unit / Insert





## 1. BASIC STRUCTURE OF FBJ PILLOW BLOCKS

### 1.1. FBJ Bearing units

The FBJ range of bearing units offer a wide choice of Cast Iron, Pressed Steel or Thermo – Plastic housings fitted with the full, range of bearing inserts, with spherical outer diameter and some with cylindrical outer diameter.

The general housing types are Pillow blocks, Flange units, Hanger Units, Cartridge units and Take-Up units. Choice is very much determined by the requirements of the application, although the aesthetic appearance of the machine design is often an important consideration. Self-Lube units have been designed to meet the needs of both criteria.

The castings are made from high-quality Gray cast iron (JIS, G5501) and finished on all un-machined surfaces with standard dimensions. Pressed steel housings are made from mild steel strips (JIS, 3141) and are zinc plated. In corrosive environment and Food industry, it is recommended to use Thermo – Plastic housings (VALOX 420) with Stainless Steel Bearing inserts.

### 1.2 FBJ Bearing inserts

The FBJ bearing insert, commonly known as a wide inner ring bearings, is designed to suit the wide range, of housings. FBJ bearing inserts also suitable for applications where the users own housing is preferred.

Bearing inserts are basically deep-groove ball bearings to the internationally popular 6, series configuration with integral design features making them more functional and versatile than the standard ball bearing. They are offered with either parallel or spherical outside diameter outer rings with the latter being the type fitted as standard in the bearing unit.

The integral design features of the bearing insert are such as shaft locking, seals and re-lubrication.

The inner rubber seals are firmly assembled on the outer ring and ensure perfect sealing of grease chamber. The steel shield or slingers rotate with inner ring and generate centrifugal force, by means of which dust is efficiently excluded.

FBJ offer two types of material for bearing insert, High Carbon Chromium Bearing Steel and Stainless Steel.

## 2. BEARING MATERIAL AND OPERATING TEMPERATURE

### 2.1 BEARING MATERIAL

The performance of a rolling bearing is highly influenced by the material used. For FBJ Pillow Block either vacuum degassed High Carbon Chromium Bearing Steel or Stainless Steel use as the material for bearing insert and Gray Cast Iron, Sheet Steel or Thermo Plastic for the housing.

Materials used for FBJ High Carbon Chromium Bearing Steel bearing insert and Cast Iron Housing Bearing Units

Table 2.1.1

Component	MATERIALS USED	JIS	
		SYMBOL	NUMBER
Ball, Inner Ring and Outer Ring	High Carbon Chromium Bearing Steel	SUJ 2	G 4805
Cage and shield	Cold rolled steel sheets or strips	SPCC	G 3141
Seal	Nitrile rubber	-	-
Set Screw	Nickel Chromium Molybdenum Steel	SCM 435	G 4105
Sleeve and Nut (For Adapter)	Mild Steel	S 25 C	G 4051
Washer (For Adapter)	Cold rolled steel sheets or strips	SPCC	G 3141
Grease Nipple	Free Cutting Brass Bar	C 3604	H 3250
Housing	Gray Cast Iron	FC 200	G 5501

Materials used for FBJ Stainless Steel Bearings bearing insert and Thermo Plastic Housing Bearing Units

Table 2.1.2

Component	MATERIALS USED	JIS SYMBOL
Ball, Inner Ring and Outer Ring	Stainless Steel	SUS440C
Cage and shield	Stainless Steel	SUS304
Seal	Nitrile rubber	-
Set Screw	Stainless Steel	SUS410
Grease Nipple	Stainless Steel	SUS304
Housing and Cover	Thermo Plastic	VALOX420

### 2.2 CHEMICAL COMPOSITION OF HIGH CARBON CHROMIUM BEARING STEEL BEARING INSERT MATERIALS

Table 2.2.1

SYMBOL	Component	CHEMICAL COMPOSITION %							Hardness HRC
		C	Si	Mn	P	S	Cr	Mo	
SUJ2	Ball, Inner Ring and Outer Ring	0.9~1.10	0.15~0.35	≤ 0.50	≤ 0.025	≤ 0.025	1.30~1.60	0.08	58~65
SPCC	Cage and Shield	≤ 0.12	-	≤ 0.50	≤ 0.040	≤ 0.045	-	-	-

## 2.3 CHEMICAL COMPOSITION OF STAINLESS STEEL BEARING INSERT MATERIALS

Table 2.3.1

JIS Symbol	Component	CHEMICAL COMPOSITION %							Hardness HRC
		C	Si	Mn	P	S	Cr	Mo	
SUS440C	Ball, Inner Ring and Outer Ring	0.9~1.20	≤ 1.00	≤ 1.00	≤ 0.040	≤ 0.030	16.0~18.0	0.75	58~65

Table 2.3.2

JIS Symbol	Component	CHEMICAL COMPOSITION %			Hardness HB
		C	Cr	Ni	
SUS410	Set Screw	0.16~0.17	11.5~13.5	0.70~0.80	380~400

Table 2.3.3

JIS Symbol	Component	CHEMICAL COMPOSITION %				Hardness HRC
		C	Cr	Ni	N	
SUS304	Cage	0.075~0.085	18.0~20.0	8.0~10.0	≤ 0.1	25~39

## 2.4 Operating temperature range for FBJ Pillow Block bearings.

FBJ Pillow Block Bearing Inserts with Cast Iron Housings, Pillow Block Bearing Inserts with Pressed Steel Housings and Stainless Steel Bearing Inserts can withstand the operating temperatures from  $-15^{\circ}\text{C}$  to  $120^{\circ}\text{C}$ .

FBJ Pillow Block bearings with Thermo Plastic Housing and Stainless Steel Bearing Inserts can withstand the operating temperatures from  $-15^{\circ}\text{C}$  to  $60^{\circ}\text{C}$

Operating environments of higher than  $120^{\circ}\text{C}$  or lower than  $-15^{\circ}\text{C}$  of operating temperatures, please contact FBJ sales or engineering department.

### 3. LUBRICATION, CLEARANCE AND SPEED LIMITS OF FBJ PILLOW BLOCKS

#### 3.1 BEARING LUBRICATION

Bearing lubrication reduces friction and wear, acts as a coolant, minimizes contamination, prevents corrosion, and generally extends bearing life. Selecting the best lubricant for your specific application becomes a very important decision; however, choosing from the hundreds available lubricants can be an overwhelming task. FBJ engineering staff is available to help make the right decision for your application.

FBJ bearing Inserts with pressed steel housings are for life lubrication and filled with high quality multipurpose grease, with the correct quantity. These bearings cannot be re-lubricate.

Bearing Inserts with Cast iron housings or Thermo Plastic housings are equipped with a grease nipple and also filled with high quality multipurpose grease and with the correct quantity. These bearings are to be re-lubricate after the recommended hours of initial operation, to ensure a long life and smooth running.

It is important to use the correct grease with correct amount in the correct replenishment period. Following tables will help you to decide the both factors, the replenishment period and re-fill quantity.

Table 3.1.1

Bore Dia Ref	Replenishment Grease Quantity (g)			Bore Dia Ref	Replenishment Grease Quantity (g)		
	UC2, UK2	UCX, UKX	UC3, UK3		UC2, UK2	UCX, UKX	UC3, UK3
01	1.8	–	–	11	10.3	13.2	25
02	1.8	–	–	12	13.2	14.9	31
03	1.8	–	–	13	14.9	18.2	39
04	1.8	–	–	14	18.2	21.0	47
05	1.8	3.3	4.2	15	21.0	25.0	56
06	3.3	4.5	5.9	16	25.0	31.0	65
07	4.5	5.6	8.1	17	31.0	38.0	78
08	5.6	6.5	10.1	18	38.0	48.0	90
09	6.5	7.7	12.6	19	–	–	108
10	7.7	10.3	18.1	20	–	–	141

Table 3.1.2 Grease Replenishment Period

Ambient Condition	Bearing Operating Temperature °C		Replenishment Period	
	Over	Below	d <sub>n</sub> : Under 50000	d <sub>n</sub> : Over 50000
Fairly Clean	–	50	No supply	18 ~ 30 Months
	50	70	12 ~ 18 Months	6 ~ 12 Months
	70	100	4 ~ 8 Months	1 ~ 3 Months
	100	–	2 ~ 4 Weeks	1 ~ 2 Weeks
Somewhat Dusty	–	50	1 ~ 2 Years	6 ~ 12 Months
	50	70	4 ~ 8 Months	2 ~ 4 Months
	70	100	3 ~ 6 Weeks	2 ~ 4 Weeks
	100	–	1 ~ 2 Weeks	Every Week
Considerable Dusty	–	70	1 ~ 2 Months	3 ~ 6 Weeks
	70	100	2 ~ 4 Weeks	1 ~ 2 Weeks
	100	–	1 ~ 7 Days	1 ~ 3 Days
Much Moisture and Water Splash	–	–	1 ~ 3 Days	Every Day

$$d_n = d \text{ (shaft diameter in mm)} \times n \text{ (speed in rpm)}$$

## 3.2 CLEARANCE OF FBJ BEARING INSERTS

All FBJ cylindrical bore insert bearings are of normal clearance and tapered bore insert bearings are of C3 clearance. If you need any special clearance other than this, please consult FBJ Engineering department.

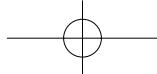
Table 3.2.1

Bore Dia Ref (d)		Clearance (µm)			
(mm)		Normal		C3	
Over	Incl	Min.	Max.	Min.	Max.
2.5	10	2	13	8	23
10	18	3	18	11	25
18	24	5	20	13	28
24	30	5	20	13	28
30	40	6	20	15	33
40	50	6	23	18	36
50	65	8	28	23	43
65	80	10	30	25	51
80	100	12	36	30	58
100	120	15	41	36	66

## 3.3 SPEED LIMITS FOR FBJ PILLOW BLOCK BEARING INSERTS

Table 3.3.1

BEARING NUMBER	MAX SPEED (rpm)	BEARING NUMBER	MAX SPEED (rpm)	BEARING NUMBER	MAX SPEED (rpm)	BEARING NUMBER	MAX SPEED (rpm)	BEARING NUMBER	MAX SPEED (rpm)
UC, UK 201	5800	-	-	-	-	-	-	SA, SB 201	6800
UC, UK 202	5800	-	-	-	-	-	-	SA, SB 202	6800
UC, UK 203	5800	-	-	-	-	-	-	SA, SB 203	6800
UC, UK 204	5800	-	-	-	-	SSUC 204	5000	SA, SB 204	5800
UC, UK 205	5100	UC, UK X 05	4300	UC, UK 305	4600	SSUC 205	4000	SA, SB 205	5100
UC, UK 206	4300	UC, UK X 06	3700	UC, UK 306	3900	SSUC 206	3300	SA, SB 206	4300
UC, UK 207	3700	UC, UK X 07	3300	UC, UK 307	3400	SSUC 207	3200	SA, SB 207	3700
UC, UK 208	3300	UC, UK X 08	3100	UC, UK 308	3100	SSUC 208	2800	SA, SB 208	3300
UC, UK 209	3100	UC, UK X 09	2800	UC, UK 309	2700	SSUC 209	2600	SA, SB 209	3100
UC, UK 210	2800	UC, UK X 10	2500	UC, UK 310	2400	SSUC 210	2300	SA, SB 210	2800
UC, UK 211	2500	UC, UK X 11	2300	UC, UK 311	2300	SSUC 211	2000	SA, SB 211	2500
UC, UK 212	2300	UC, UK X 12	2200	UC, UK 312	2100	SSUC 212	1800	SA, SB 212	2300
UC, UK 213	2200	UC, UK X 13	2100	UC, UK 313	1900	-	-	-	-
UC, UK 214	2100	UC, UK X 14	2000	UC, UK 314	1800	-	-	-	-
UC, UK 215	2000	UC, UK X 15	1800	UC, UK 315	1700	-	-	-	-
UC, UK 216	1800	UC, UK X 16	1700	UC, UK 316	1600	-	-	-	-
UC, UK 217	1700	UC, UK X 17	1600	UC, UK 317	1500	-	-	-	-
UC, UK 218	1600	-	-	UC, UK 318	1400	-	-	-	-
-	-	-	-	UC, UK 319	1400	-	-	-	-
-	-	-	-	UC, UK 320	1300	-	-	-	-



## 4. BEARING LIFE OF FBJ PILLOW BLOCK UNITS

Any bearing, even operating under normal conditions, the surfaces of the raceway and rolling elements are constantly being subjected to repeated compressive stresses which cause flaking of these surfaces to occur. This flaking is due to material fatigue and will eventually cause the bearings to fail.

When bearing is stationary, still the rolling elements are subjected to static loads. This leads to a plastic total deformation of rolling element and raceway of about 0.0001 of the rolling element diameter at the most heavily loaded contact area.

The life of bearing is regarded as expired when the revolution fatigue is produced on the rolling face of bearing. In reference with this life, the Load rating is defined where the load is applied under certain conditions.

The life of each bearing is defined as the total number of revolution until the first flaking mark due to fatigue appears. When the number of rotation is constant, it is shown by the total time until the first flaking mark appears. Even if same type of bearings of excellent materials with same design and finished by the same heat treatment and manufacturing processes are driven under the same conditions, the lives of bearings scatter to some extent due to uncontrollable differences in them. Therefore, it is not adequate to use the mean life as the standard life of bearings.

The rated Life is defined here as the total number of rotations or time of driving after which 90% of the bearings of a group under test remains without fatigue.

The basic load rating is the pure radial load of constant direction and magnitude which gives the rated life of 10<sup>6</sup> rotations when the outer ring is fixed and the inner ring is rotated. There exists the following relationship between the basic load rating and the life.

$$L_n = \left( \frac{C}{P} \right)^K$$

Where, **L<sub>n</sub>** : rated life in total number of rotations which unit is 10<sup>6</sup> rotations.

(When **L<sub>n</sub>** = 3, it means 3 million rotations.)

**C** : basic load rating [ **kgf** ]

**K** : coefficient (3 for ball bearing and  $\frac{10}{3}$  for roller bearing)

**P** : load (equivalent radial load) [ **kgf** ]

When the bearings are installed to an apparatus rotating at a constant number of rotation, the lives are mostly estimated by driving hours, and the following equation which is modified by the above equation is used.

$$L_h = \frac{10^6}{60} \frac{L_n}{n} = \frac{10^6}{60n} \left( \frac{C}{P} \right)^K = \frac{50000}{3n} \left( \frac{C}{P} \right)^K$$

where **L<sub>h</sub>** : rated life time in total rotating time, [ **hour** ]

**n** : speed of rotation, [ **r.p.m.** ]

The above equation can be modified to give an equation which is convenient to actual designing

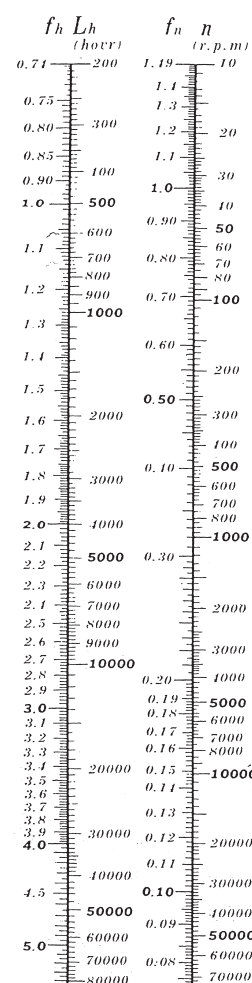
$$L_h = 500fh^K$$

$$fh = fn \cdot \frac{C}{P}$$

$$fn = \left( \frac{33.3}{n} \right)^{\frac{1}{K}}$$

where, **fh** : life factor  
**fn** : speed factor

Please refer to the nomogram at the right hand, which shows the values of **n:fn** and **L<sub>h</sub>:fh** for the ball bearing.



## 5. ALLOWABLE LOAD FOR FBJ HOUSINGS

It is important, not only the dynamic and static load capacity of a bearing insert, but also to consider destruction strength of the housing, before you select the correct bearing for your application.

FBJ has done extensive research on this and present below tables to ease your problems. Please note that, allowable load varies depending on load direction and type of the housing.

### 5.1 ALLOWABLE LOAD FOR P TYPE CAST IRON HOUSINGS

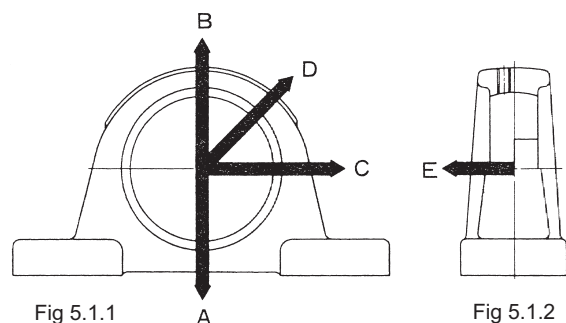


Table 5.1.1

Housing Number	Destruction Strength / (N) and Load Direction				
	A	B	C	D	E
P203	7100	3000	5000	2300	1100
P204	8100	3300	5600	2500	1700
P205	9400	3700	6100	2800	1800
P206	12000	5000	9000	3500	2200
P207	16000	6100	10000	4400	2400
P208	18000	6600	11000	4600	2500
P209	19000	7000	12000	4900	2600
P210	19000	7500	14000	5700	3200
P211	21000	8200	15000	6000	3400
P212	28000	11000	17000	7300	4400
P213	29000	12000	19000	8300	5100
P214	32000	12000	20000	8400	5600
P215	33000	13000	21000	9200	5800
P216	36000	15000	27000	11000	6600
P217	45000	17000	28000	12000	7500
P218	48000	19000	33000	13000	12000

Table 5.1.2

Housing Number	Destruction Strength / (N) and Load Direction				
	A	B	C	D	E
PX05	13000	5000	9000	3500	2300
PX06	17000	6200	10000	4500	3100
PX07	19000	6800	11000	4800	3400
PX08	20000	7500	13000	5300	3900
PX09	22000	8200	14000	5700	4200
PX10	25000	10000	16000	6900	5200
PX11	28000	11000	18000	7600	5600
PX12	30000	13000	20000	8800	6400
PX13	36000	13000	20000	9200	6700
PX14	37000	14000	23000	9800	7100
PX15	39000	18000	30000	13000	9200
PX16	43000	19000	31000	13000	9400
PX17	50000	21000	35000	15000	10000

Table 5.1.3

Housing Number	Destruction Strength / (N) and Load Direction				
	A	B	C	D	E
P305	15000	4500	7100	3400	2600
P306	18000	6100	8400	4200	3000
P307	20000	6300	11000	5400	3800
P308	22000	7500	12000	5700	4800
P309	27000	8500	15000	6800	6300
P310	34000	9800	16000	7100	7900
P311	36000	11000	23000	8000	8600
P312	32000	13000	24000	8900	9000
P313	37000	15000	25000	10000	9300
P314	40000	16000	27000	10000	9500
P315	43000	18000	30000	12000	11000
P316	47000	19000	35000	13000	12000
P317	49000	21000	36000	15000	13000
P318	55000	22000	38000	16000	13000
P319	60000	24000	42000	18000	14000
P320	68000	27000	56000	19000	17000



**5.2 ALLOWABLE LOAD FOR FLANGE TYPE CAST IRON HOUSINGS**

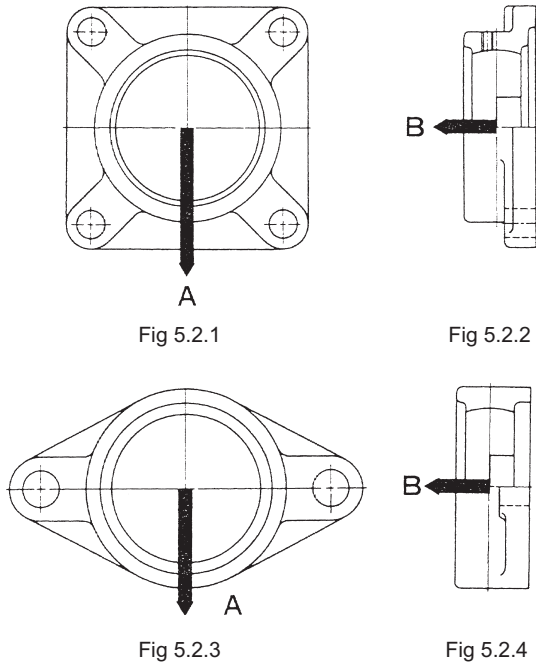


Table 5.2.1

Housing Number		Destruction Strength / (N) and Load Direction			
		F2		FL2	
		A	B	A	B
F204	FL204	4300	1800	2400	1200
F205	FL205	6700	2500	3800	1600
F206	FL206	6700	3000	3800	2000
F207	FL207	6500	3600	4100	2300
F208	FL208	7100	3900	4100	2700
F209	FL209	10000	4700	6200	3200
F210	FL210	10000	5000	6200	3900
F211	FL211	9200	5700	7400	4400
F212	FL212	9200	6200	8800	4800
F213	FL213	17000	6900	9800	6200
F214	FL214	19000	7600	10000	7000
F215	FL215	19000	8000	11000	7200
F216	FL216	17000	8600	13000	8600
F217	FL217	21000	9500	14000	9400
F218	FL218	25000	11000	14000	14000

Bearing Unit / Insert

Table 5.2.2

Housing Number		Destruction Strength / (N) and Load Direction			
		FX		FLX	
		A	B	A	B
FX05	FLX05	6700	3100	3100	2300
FX06	FLX06	5000	3800	2800	2900
FX07	FLX07	6600	4300	3000	3700
FX08	FLX08	7200	4800	3800	4100
FX09	FLX09	7200	5200	4100	5300
FX10	FLX10	10000	5800	5100	5700
FX11		10000	6600		
FX12		16000	7800		
FX13		16000	8000		
FX14		19000	8900		
FX15		21000	8500		
FX16		19000	10000		
FX17		19000	10000		

Table 5.2.3

Housing Number		Destruction Strength / (N) and Load Direction			
		F3		FL3	
		A	B	A	B
F305	FL305	7200	3500	3800	2100
F306	FL306	8300	4400	6800	2300
F307	FL307	10000	5100	6600	2800
F308	FL308	13000	6100	6400	3700
F309	FL309	11000	6600	9900	4000
F310	FL310	15000	7900	11000	5500
F311	FL311	17000	7800	11000	5900
F312	FL312	19000	9700	12000	6100
F313	FL313	17000	9000	12000	8300
F314	FL314	23000	9800	17000	8700
F315	FL315	27000	11000	15000	9500
F316	FL316	24000	12000	20000	11000
F317	FL317	27000	13000	20000	7500
F318	FL318	34000	14000	23000	14000
F319	FL319	32000	17000	27000	19000
F320	FL320	38000	18000	28000	20000

### 5.3 ALLOWABLE LOAD FOR TAKE UP UNIT CAST IRON HOUSINGS

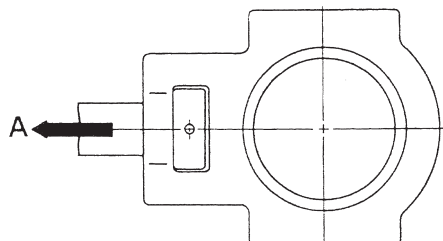


Fig 5.3.1

Table 5.3.1

Housing Number			Destruction Strength / (N) and Load Direction		
			T2	TX	T3
			A	A	A
T204			3400		
T205	TX05	T305	3800	4100	5300
T206	TX06	T306	4100	5700	6200
T207	TX07	T307	5800	7800	7100
T208	TX08	T308	8200	7800	8100
T209	TX09	T309	7800	8500	9300
T210	TX10	T310	8600	9400	11000
T211	TX11	T311	9700	11000	12000
T212	TX12	T312	10000	13000	13000
T213	TX13	T313	13000	13000	15000
T214	TX14	T314	13000	13000	17000
T215	TX15	T315	13000	13000	18000
T216	TX16	T316	14000	15000	20000
T217	TX17	T317	16000	16000	21000
		T318			25000
		T319			27000
		T320			32000

### 5.4 ALLOWABLE LOAD FOR PEDASTAL TYPE CAST IRON HOUSINGS

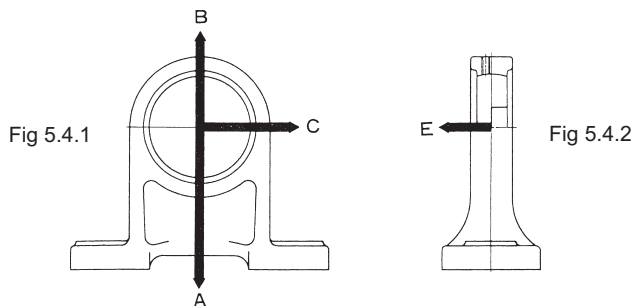


Fig 5.4.1

Fig 5.4.2

Table 5.4.1

Housing Number	Destruction Strength / (N) and Load Direction			
	A	B	C	E
PH204	8000	2700	1800	1700
PH205	9200	3000	2000	1800
PH206	11000	4100	2800	2200
PH207	15000	4900	3200	2400
PH208	17000	5300	3500	2500
PH209	18000	5700	3900	2600
PH210	19000	6100	4400	3200
PH211	20000	6500	5000	3600
PH212	21000	7000	5500	4000
PH213	22000	7700	6000	4600
PH214	24000	8300	6600	5200
PH215	26000	9000	7400	6000
PH216	28000	9800	8000	6600

### 5.5 ALLOWABLE LOAD FOR ALL PRESSED STEEL HOUSINGS

Load capacity of, every pressed steel type housing is to be as follows.

Load capacity of radial direction = Basic Dynamic Load / 6

Load capacity of thrust direction = Basic Dynamic Load / 18

### 5.6 ALLOWABLE LOAD FOR THERMO-PLASTIC HOUSINGS

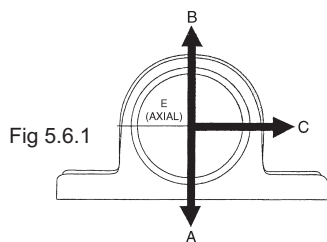


Fig 5.6.1

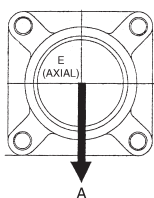


Fig 5.6.2

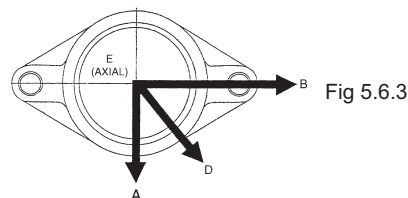


Fig 5.6.3

Table 5.6.1

Housing Number	DESTRUCTION STRENGTH / (N) and Load Direction									
	SPP				SPF		SPFL			
	A	B	C	E	A	E	A	B	D	E
204	16600	5600	7000	3000	14700	340	7400	5600	6600	3300
205	19600	5800	7400	3200	15700	340	7600	8000	8400	3300
206	28300	6000	8600	4000	17600	340	8500	10800	10300	3300
207	38300	6600	10300	5700	18100	350	10700	13800	12200	3400
208	44500	11100	12100	8500	18600	380	15100	17300	14000	3700
209	50000	11800	13800	9600	19600	420	18300	21000	16000	4100
210	54000	12400	15200	10900	21040	530	21000	24600	18500	4800
211	60000	13100	16300	11700	23500	670	25320	29200	21000	5300
212	68000	14000	17400	13400	27000	780	28400	33400	24000	6100

## 6. MOUNTING OF FBJ PILLOW BLOCK UNITS

### 6.1 Mounting on Shaft

Table 6.1

TIGHTENING TORQUE FOR SET SCREW

Bearing Number	Set Screw	Tightening Torque
SB201~SB203 SER201~SER203	M 5X0.8	30
SB204~SB207 SER204~SER206 UC201~UC206 (SSUC201~SSUC206) UCX05 UC305~UC306	M 6X1	40
SB208 SER207~SER209 UC207~UC209 (SSUC207~SSUC209) UCX06~UCX08 UC307	M 8X1	85
SER210~SER212 UC210~UC212 (SSUC210~SSUC212) UCX09~UCUCX11 UC308~UC309	M 10X1.25	175
UC213~UC218 UCX12~UCX17 UC310~UC314	N 12X1.5	280
UC315~UC316	M 14X1.5	350
UC317~UC319	M 16X1.5	560
UC320	M 18X1.5	620



Fig 6.1

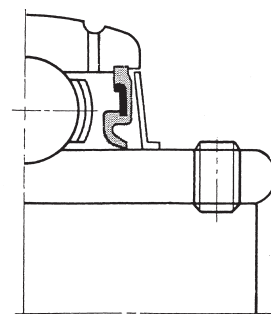


Fig 6.1.1

#### 6.1.1 Set Screw Method

Two knurled cup-point, self locking, socket-head set screws (Fig 6.1) fitted at 120° apart in the extended inner ring of the bearing insert.

For standard loads and moderate speeds simply mount the bearing unit into position and tighten down the set screw to the recommended torque value. Additional security can be achieved by spot drilling the shaft to accommodate the set screw point. Using the correct size of socket head wrench tightens the set screw to recommended torque.

A lock washer is provided which prevents the locknut backing off when one of the tabs is engaged with the corresponding notch in the locknut.

#### 6.1.2 Eccentric Lock Collar Method

Here, an eccentric diameter formed on the extended inner ring of the bearing which engages a similarly formed eccentric diameter in the bore of a separate collar.

Locking is achieved by turning the collar in the direction of shaft rotation until the eccentric diameters of both collar and inner ring are fully engaged. The collar is provided with a blind hole to facilitate tightening when locking the bearing to the shaft. The set screw when tightened to the recommended torque values prevents the collar backing off in service.

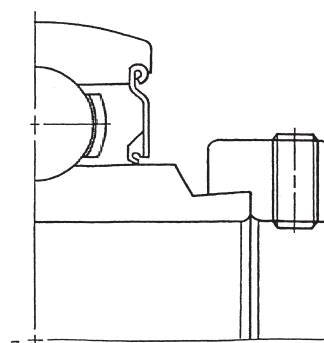


Fig 6.1.2

### 6.1.3 Adapter Sleeve Method

This consists of a standard adapter sleeve, locknut and lock washer.

When fitting the bearing to the shaft, care must be taken to ensure that the locknut is not over tightened as this can reduce or eliminate the required bearing internal clearance, resulting in premature failure.

The proper tightening condition can be obtained, firstly tightening the locknut by hand and then rotating 2/5 to 3/5 revolutions by a spanner.

A lock washer is provided which prevents the lock nut backing off when one of the tabs is engaged with the corresponding notch in the locknut.

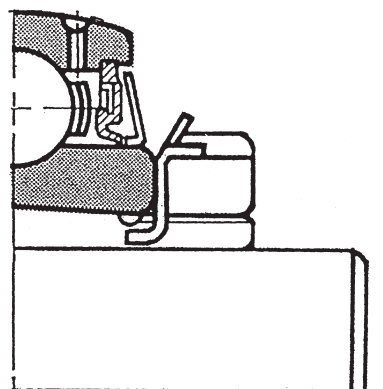


Fig 6.1.3

### 6.2 Shaft Selection

Standard mounting of cylindrical bore insert bearing to the shaft is loose fit. Still, selection of shaft has to consider the speed of the insert bearing. Below table provide you the dimensional accuracy of your shaft to be made for loose fit, in order to facilitate you smooth running.

Table 6.2.1

Shaft Dia (mm)		Shaft Tolerance ( m )							
		j6		h6		h7		h8	
Over	incl	Max	Min	Max	Min	Max	Min	Max	Min
10	18	+ 8	- 3	0	-11	0	-18	0	-27
18	30	+ 9	- 4	0	-13	0	-21	0	-33
30	50	+11	- 5	0	-16	0	-25	0	-39
50	80	+12	- 7	0	-19	0	-30	0	-46
80	120	+13	- 9	0	-22	0	-35	0	-54
120	180	+14	-11	0	-25	0	-40	0	-63
Limit of dn value		above 120000		above 100000 up to 120000		above 60000 up to 100000		60000 and below	

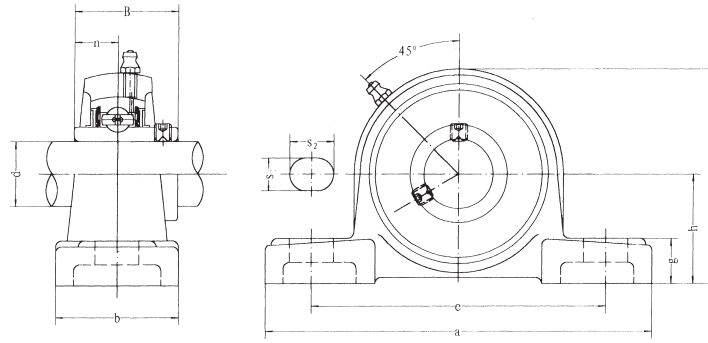
dn value = d (shaft diameter in mm) x n (speed in rpm)

### 6.3 Mounting of Housing

To prevent any damage to the insert bearing due to faulty installation, Housing unit should always be bolted to a base which is to be flat and rigid. The bearing center alignment angle of +3° is required for the mounting base. In case of bearing unit with cover, this angle is restricted to +1°.

## UCP 2 Series

## Pillow Blocks



Bearing Unit / Insert

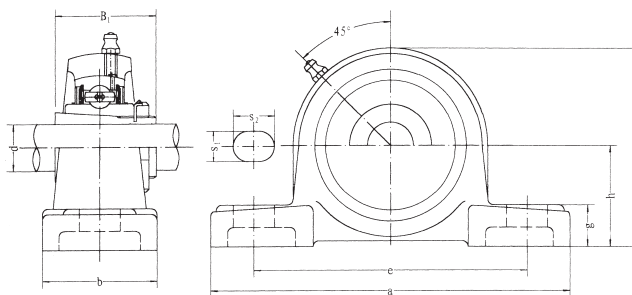
Unit No.	Dimensions mm inch											Bolt Size mm inch	Bearing No.	Housing No.	Weight (kg)
	d	h	a	e	b	S <sub>1</sub>	S <sub>2</sub>	g	w	B	n				
*UCP 201	12	30.2	127	95	38	13	19	14	62	31	12.7	M10	UC 201	P203	0.69
*UCP 201-8	3/4	1-3/16	5	3-3/4	1-1/2	1/2	3/4	9/16	2-7/16	1.2205	0.500	3/8	UC 201-8		0.69
*UCP 202	15	30.2	127	95	38	13	19	14	62	31	12.7	M10	UC 202	P203	0.69
*UCP 202-9	9/16	1-3/16	5	3-3/4	1-1/2	1/2	3/4	9/16	2-7/16	1.2205	0.500	3/8	UC 202-9		0.69
*UCP 202-10	5/8												UC 202-10		0.69
*UCP 203	17	30.2	127	95	38	13	19	14	62	31	12.7	M10	UC 203	P203	0.68
*UCP 203-11	11/16	1-3/16	5	3-3/4	1-1/2	1/2	3/4	9/16	2-7/16	1.2205	0.500	3/8	UC 203-11		0.67
*UCP 204	20	33.3	127	95	38	13	19	14	65	31	12.7	M10	UC 204	P204	0.66
*UCP 204-12	3/4	1-5/16	5	3-3/4	1-1/2	1/2	3/4	9/16	2-9/16	1.2205	0.500	3/8	UC 204-12		0.66
*UCP 205	25	36.5	140	105	38	13	19	15	71	34.1	14.3	M10	UC 205	P205	0.81
*UCP 205-13	13/16												UC 205-13		0.85
*UCP 205-14	7/8	1-7/16	5-1/2	4-1/8	1-1/2	1/2	3/4	19/32	2-25/32	1.3425	0.563	3/8	UC 205-14		0.83
*UCP 205-15	15/16												UC 205-15		0.82
*UCP 205-16	1												UC 205-16		0.81
*UCP 206	30	42.9	165	121	48	17	20	17	84	38.1	15.9	M14	UC 206	P206	1.24
*UCP 206-17	1-1/16												UC 206-17		1.27
*UCP 206-18	1-1/8	1-11/16	6-1/2	4-3/4	1-7/8	43/64	25/32	21/32	3-5/16	1.5000	0.626	1/2	UC 206-18		1.26
*UCP 206-19	1-3/16												UC 206-19		1.24
*UCP 206-20	1-1/4												UC 206-20		1.23
*UCP 207	35	47.6	167	127	48	17	20	18	93	42.9	17.5	M14	UC 207	P207	1.58
*UCP 207-20	1-1/4												UC 207-20		1.64
*UCP 207-21	1-5/16	1-7/8	6-9/16	5	1-7/8	43/64	25/32	45/64	3-21/32	1.6890	0.689	1/2	UC 207-21		1.61
*UCP 207-22	1-3/8												UC 207-22		1.58
*UCP 207-23	1-7/16												UC 207-23		1.55
*UCP 208	40	49.2	184	137	54	17	20	18	100	49.2	19	M14	UC 208	P208	1.89
*UCP 208-24	1-1/2	1-15/16	7-1/4	5-13/32	2-1/8	43/64	25/32	45/64	3-15/16	1.9370	0.748	1/2	UC 208-24		1.93
*UCP 208-25	1-9/16												UC 208-25		1.90
*UCP 209	45	54.0	190	146	54	17	20	20	106	49.2	19	M14	UC 209	P209	2.14
*UCP 209-26	1-5/8												UC 209-26		2.24
*UCP 209-27	1-11/16	2-1/8	7-15/32	5-3/4	2-1/8	43/64	25/32	4-11/64	1.9370	0.748	1/2	UC 209-27		2.20	
*UCP 209-28	1-3/4												UC 209-28		2.14
*UCP 210	50	57.2	206	159	60	20	23	21	113	51.6	19	M16	UC 210	P210	2.66
*UCP 210-29	1-13/16												UC 210-29		2.78
*UCP 210-30	1-7/8	2-1/4	8-1/8	6-1/4	2-3/8	25/32	29/32	53/64	4-29/64	2.0315	0.748	5/8	UC 210-30		2.73
*UCP 210-31	1-15/16												UC 210-31		2.68
*UCP 210-32	2												UC 210-32		2.64
*UCP 211	55	63.5	219	171	60	20	23	23	125	55.6	22.2	M16	UC 211	P211	3.31
*UCP 211-32	2												UC 211-32		3.46
*UCP 211-33	2-1/16	2-1/2	8-5/8	6-47/64	2-3/8	25/32	29/32	29/32	4-59/64	2.1890	0.874	5/8	UC 211-33		3.40
*UCP 211-34	2-1/8												UC 211-34		3.35
*UCP 211-35	2-3/16												UC 211-35		3.29
*UCP 212	60	69.8	241	184	70	20	23	25	138	65.1	25.4	M16	UC 212	P212	4.90
*UCP 212-36	2-1/4												UC 212-36		5.03
*UCP 212-37	2-5/16	2-3/4	9-1/2	7-1/4	2-3/4	25/32	29/32	63/64	5-7/16	2.5630	1.000	5/8	UC 212-37		4.95
*UCP 212-38	2-3/8												UC 212-38		4.88
*UCP 212-39	2-7/16												UC 212-39		1.81
UCP 213	65	76.2	265	203	70	25	28	27	150	65.1	25.4	M20	UC 213	P213	5.15
UCP 213-40	2-1/2	3	10-7/16	8	2-3/4	63/64	1-3/32	1-1/16	5-29/32	2.5630	1.000	3/4	UC 213-40		5.24
UCP 213-41	2-9/16												UC 213-41		5.15
UCP 214	70	79.4	266	210	72	25	28	27	156	74.6	30.2	M20	UC 214	P214	6.20
UCP 214-42	2-5/8												UC 214-42		6.41
UCP 214-43	2-1/16	3-1/8	10-15/32	8-17/64	2-27/32	63/64	1-3/32	1-1/16	6-9/64	2.9370	1.189	3/4	UC 214-43		6.31
UCP 214-44	2-3/4												UC 214-44		6.21
UCP 215	75	82.6	275	217	74	25	28	28	162	77.8	33.3	M20	UC 215	P215	7.16
UCP 215-45	2-13/16												UC 215-45		7.41
UCP 215-46	2-7/8	3-1/4	10-53/64	8-35/64	2-29/32	63/64	1-3/32	1-3/32	6-3/8	3.0630	1.311	3/4	UC 215-46		7.30
UCP 215-47	2-15/16												UC 215-47		7.19
UCP 215-48	3												UC 215-48		7.07
UCP 216	80	88.9	292	232	78	25	28	30	174	82.6	33.3	M20	UC 216	P216	8.10
UCP 216-49	3-1/16												UC 216-49		8.28
UCP 216-50	3-1/8	3-1/2	11-1/2	9-1/8	3-1/16	63/64	1-3/32	1-3/16	6-27/32	3.2520	1.311	3/4	UC 216-50		8.15
UCP 216-51	3-3/16												UC 216-51		8.02
UCP 217	85	95.2	310	247	83	25	28	32	185	85.7	34.1	M20	UC 217	P217	9.81
UCP 217-52	3-1/4												UC 217-52		10.03
UCP 217-53	3-5/16	3-3/4	12-13/64	9-23/32	3-17/64	63/64	1-3/32	1-1/4	7-9/32	3.3740	1.343	3/4	UC 217-53		9.89
UCP 217-55	3-7/16												UC 217-55		9.60
UCP 218	90	101.6	327	262	88	27	30	33	198	96	39.7	M22	UC 218	P218	11.96
UCP 218-56	3-1/2	4	12-7/8	10-5/16	3-15/32	1-1/16	1-3/16	1-19/64	7-51/64	3.7795	1.5630	7/8	UC 218-56		12.07

\* Add SS in front of the Unit No for Stainless Steel Bearing and Housing with plastic cover (Eg. SS UCP 205)  
 \* Add SP in front of the Unit No for Stainless Steel Bearing with Thermo-Plastic Housing (Eg. SP UCP 205)

Add C as suffix for both side Open cover (Eg. SP UCP 205 C)  
 or CD as suffix for one side Open & one side Closed cover (Eg. SP UCP 205 CD)

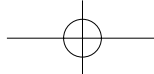
## Pillow Blocks (with Adapter mounted)

## UKP 2 Series



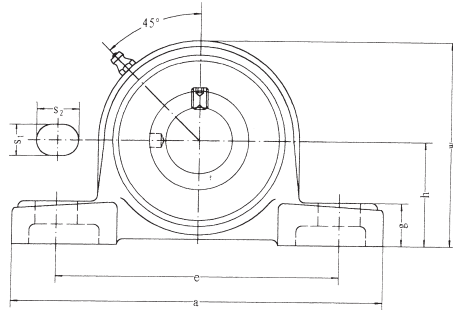
Bearing Unit / Insert

Unit No.	Dimensions <small>mm inch</small>										Bolt Size <small>mm inch</small>	Bearing No.	Housing No.	Weight (kg)	
	d	h	a	e	b	S <sub>1</sub>	S <sub>2</sub>	g	w	B					
UKP 205	20 3/4	36.5 1-7/16	140 5-1/2	105 4-1/8	38 1-1/2	13 1/2	19 3/4	15 19/32	71 2-25/32	35 1.378	M10 3/8	UK 205	H305 HE305	P 205	0.86
UKP 206	25 7/8 1	42.9 1-11/16	165 6-1/2	121 4-3/4	48 1-7/8	17 43/64	20 25/32	17 43/64	84 3-5/16	38 1.496	M14 1/2	UK 206	H306 HS306 HE306	P 206	1.28
UKP 207	30 1-1/8	47.6 1-7/8	167 6-9/16	127 5	48 1-7/8	17 43/64	20 25/32	18 45/64	93 3-21/32	43 1.693	M14 1/2	UK 207	H307 HS307	P 207	1.67
UKP 208	35 1-1/4 1-3/8	49.2 1-15/16	184 7-1/4	137 5-13/32	54 2-1/8	17 43/64	20 25/32	18 45/64	100 3-15/16	46 1.811	M14 1/2	UK 208	H308 HE308 HS308	P 208	1.99
UKP 209	40 1-7/16 1-1/2 1-5/8	54.0 2-1/8	190 7-15/32	146 5-3/4	54 2-1/8	17 43/64	20 25/32	20 25/32	106 4-11/64	50 1.969	M14 1/2	UK 209	H309 HA309 HE309 HS309	P 209	1.29
UKP 210	45 1-5/8 1-11/16 1-3/4	57.2 2-1/4	206 8-1/8	159 6-1/4	60 2-3/8	20 25/32	23 29/32	21 53/64	113 4-29/64	55 2.165	M16 5/8	UK 210	H310 HS310 HA310 HE310	P 210	2.83
UKP 211	50 1-7/8 1-15/16 2	63.5 2-1/2	219 8-5/8	171 6-47/64	60 2-3/8	20 25/32	23 29/32	23 29/32	125 4-59/64	59 2.323	M16 5/8	UK 211	H311 HS311 H3A11 HE311	P 211	3.46
UKP 212	55 2-1/8	69.8 2-3/4	241 9-1/2	184 7-1/4	70 2-3/4	20 25/32	23 29/32	25 63/64	138 5-7/16	62 2.441	M16 5/8	UK 212	H312 HS312	P 212	4.95
UKP 213	60 2-3/16 2-1/4 2-3/8	76.2 3	265 10-7/16	203 8	70 2-3/4	25 63/64	28 1-3/32	27 1-1/16	150 5-29/32	65 2.559	M20 3/4	UK 213	H313 HA313 HE313 HS313	P 213	5.06
UKP 215	65 2-7/16 2-1/2	82.6 3-1/4	275 10-53/64	217 8-35/64	74 2-29/32	25 63/64	28 1-3/32	28 1-3/32	162 6-3/8	73 2.874	M20 3/4	UK 215	H315 HA315 HE315	P 215	7.27
UKP 216	70 2-11/16 2-3/4	88.9 3-1/2	292 11-1/2	232 9-1/8	78 3-1/16	25 63/64	28 1-3/32	30 1-3/16	174 6-27/32	78 3.071	M20 3/4	UK 216	H316 HA316 HE316	P 216	8.36
UKP 217	75 2-15/16 3	95.2 3-3/4	310 12-13/64	247 9-23/32	83 3-17/64	25 63/64	28 1-3/32	32 1-1/4	185 7-9/32	82 3.228	M20 3/4	UK 217	H317 HA317 HE317	P 217	10.23
UKP 218	80 3-3/16	101.6 4	327 12-7/8	262 10-5/16	88 3-15/32	27 1-1/16	30 1-3/16	33 1-19/64	198 7-51/64	86 3.386	M22 7/8	UK 218	H318 HA318	P 218	12.34

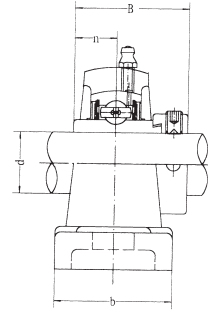


# FBJ®

## NAR 2 Series



## Pillow Blocks

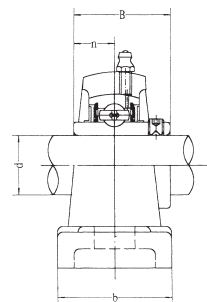
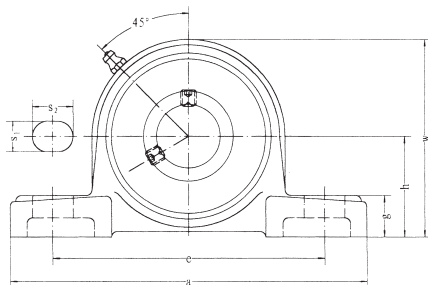


Bearing Unit / Insert

Unit No.	Dimensions <small>mm inch</small>											Bolt Size <small>mm inch</small>	Bearing No.	Housing No.	Weight (kg)
	d	h	a	e	b	S <sub>1</sub>	S <sub>2</sub>	g	w	B	n				
NAP 204	20	33.3	127	95	38	13	19	14	65	43.7	17.1	M10	NA 204	P204	0.73
NAP 204-12	3/4	1-5/16	5	3-3/4	1-1/2	1/2	3/4	9/16	2-9/16	1.720	0.673	3/8	NA 204-12		0.73
NAP 205	25	36.5	140	105	38	13	19	15	71	44.4	17.5	M10	NA 205	P205	0.88
NAP 205-13	13/16												NA 205-13		0.93
NAP 205-14	7/8	1-7/16	5-1/2	4-1/8	1-1/2	1/2	3/4	19/32	2-25/32	1.748	0.689	3/8	NA 205-14		0.92
NAP 205-15	15/16												NA 205-15		0.90
NAP 205-16	1												NA 205-16		0.88
NAP 206	30	42.9	165	121	48	17	20	17	84	48.4	18.3	M14	NA 206	P206	1.37
NAP 206-17	1-1/16												NA 206-17		1.42
NAP 206-18	1-1/8	1-11/16	6-1/2	4-3/4	1-7/8	43/64	25/32	21/32	3-5/16	1.906	0.720	1/2	NA 206-18		1.39
NAP 206-19	1-3/16												NA 206-19		1.37
NAP 206-20	1-4/1												NA 206-20		1.34
NAP 207	35	47.6	167	127	48	17	20	18	93	51.1	18.8	M14	NA 207	P207	1.70
NAP 207-20	1-4/1												NA 207-20		1.77
NAP 207-21	1-5/16	1-7/8	6-9/16	5	1-7/8	43/64	25/32	45/64	3-21/32	2.012	0.740	1/2	NA 207-21		1.73
NAP 207-22	1-3/8												NA 207-22		1.70
NAP 207-23	1-7/16												NA 208-23		1.67
NAP 208	40	49.2	184	137	54	17	20	18	100	56.3	21.4	M14	NA 208	P208	2.04
NAP 208-24	1-1/2	1-15/16	7-1/4	5-13/32	2-1/8	43/64	25/32	45/64	3-15/16	2.217	0.843	1/2	NA 208-24		2.09
NAP 208-25	1-9/16												NA 208-25		2.05
NAP 209	45	54.0	190	146	54	17	20	20	106	56.3	21.4	M14	NA 209	P209	2.31
NAP 209-26	1-5/8												NA 209-26		2.42
NAP 209-27	1-11/16	2-1/8	7-15/32	5-3/4	2-1/8	43/64	25/32	25/32	4-11/64	2.217	0.843	1/2	NA 209-27		2.37
NAP 209-28	1-3/4												NA 209-28		2.33
NAP 210	50	57.2	206	159	60	20	23	21	113	62.7	24.6	M16	NA 210		P210
NAP 210-29	1-13/16												NA 210-29	3.00	
NAP 210-30	1-7/8	2-1/4	8-1/8	6-1/4	2-3/8	25/32	29/32	53/64	4-29/64	2.469	0.969	5/8	NA 210-30	2.94	
NAP 210-31	1-15/16												NA 210-31	2.88	
NAP 210-32	2												NA 210-32	2.82	
NAP 211	55	63.5	219	171	60	20	23	23	125	71.4	27.8	M16	NA 211	P211	3.52
NAP 211-32	2												NA 211-32		3.72
NAP 211-33	2-1/16	2-1/2	8-5/8	6-47/64	2-3/8	25/32	29/32	29/32	4-59/64	2.811	1.094	5/8	NA 211-33		3.64
NAP 211-34	2-1/8												NA 211-34		3.57
NAP 211-35	2-3/16												NA 211-35		3.49
NAP 212	60	69.8	241	184	70	20	23	25	138	77.8	31	M16	NA 212	P212	5.24
NAP 212-36	2-1/4												NA 212-36		5.40
NAP 212-37	2-5/16	2-3/4	9-1/2	7-1/4	2-3/4	25/32	29/32	63/64	5-7/16	3.063	1.220	5/8	NA 212-37		5.31
NAP 212-38	2-3/8												NA 212-38		5.26
NAP 212-39	2-7/16												NA 212-39		5.13
NAP 213	65	76.2	265	203	70	25	28	27	150	85.7	34.1	M20	NA 213	P213	5.71
NAP 213-40	2-1/2	3	10-7/16	8	2-3/4	63/64	1-3/32	1-1/16	5-29/32	3.374	1.343	3/4	NA 213-40		5.81
NAP 213-41	2-9/16												NA 213-41		5.70
NAP 214	70	79.4	266	210	72	25	28	27	156	85.7	34.1	M20	NA 214	P214	6.70
NAP 214-42	2-3/8												NA 214-42		6.94
NAP 214-43	2-11/16	3-1/8	10-15/32	8-17/64	2-27/32	63/64	1-3/32	1-1/16	6-9/64	3.374	1.343	3/4	NA 214-43		6.83
NAP 214-44	2-3/4												NA 214-44		6.71
NAP 215	75	82.6	275	217	74	25	28	28	162	92.1	37.3	M20	NA 215	P215	7.79
NAP 215-45	2-13/16												NA 215-45		8.09
NAP 215-46	2-7/8	3-1/4	10-53/64	8-35/64	2-29/32	63/64	1-3/32	1-3/32	6-3/8	3.626	1.426	3/4	NA 215-46		7.96
NAP 215-47	2-15/16												NA 215-47		7.83
NAP 215-48	3												NA 215-48		7.69

## Pillow Blocks

## UCPX Series

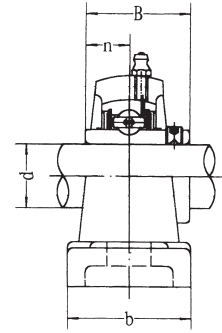
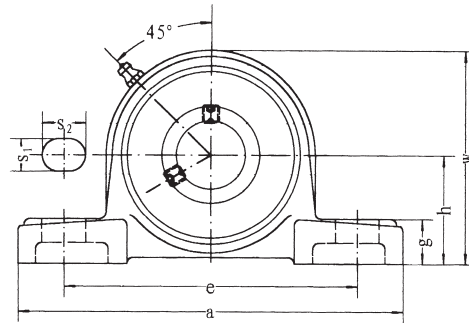


Unit No.	Dimensions <small>mm inch</small>											Bolt Size <small>mm inch</small>	Bearing No.	Housing No.	Weight (kg)
	d	h	a	e	b	S <sub>1</sub>	S <sub>2</sub>	g	w	B	n				
UCP X05	25	44.4	159	119	51	17	20	18	85	38.1	15.9	M14	UC X05	PX05	1.5
UCP X05-13	13/16												UC X05-13		
UCP X05-14	7/8	1-3/4	6-1/4	4-11/16	2	43/64	25/32	23/32	3-11/32	1.5000	0.626	1/2	UC X05-14		
UCP X05-15	15/16												UC X05-15		
UCP X05-16	1												UC X05-16		
UCP X06	30	47.6	175	127	57	17	20	20	93	42.9	17.5	M14	UC X06	PX06	2.0
UCP X06-17	1-1/16												UC X06-17		
UCP X06-18	1-1/8	1-7/8	6-7/8	5	2-1/4	43/64	25/32	25/32	3-21/32	1.6890	0.689	1/2	UC X06-18		
UCP X06-19	1-3/16												UC X06-19		
UCP X06-20	1-1/4												UC X06-20		
UCP X07	35	54.0	203	144	57	17	20	21	105	49.2	19	M14	UC X07	PX07	2.6
UCP X07-21	1-5/16												UC X07-21		
UCP X07-22	1-3/8	2-1/8	8	5-21/32	2-1/4	43/64	25/32	13/16	4-1/8	1.9370	0.748	1/2	UC X07-22		
UCP X07-23	1-7/16												UC X07-23		
UCP X08	40	58.7	222	156	67	20	23	26	111	49.2	19	M16	UC X08	PX08	3.3
UCP X08-24	1-1/2	2-5/16	8-3/4	6-5/32	2-5/8	25/32	29/32	1-1/32	4-3/8	1.9370	0.748	5/8	UC X08-24		
UCP X08-25	1-9/16												UC X08-25		
UCP X09	45	58.7	222	156	67	20	23	26	116	51.6	19	M16	UC X09	PX09	3.3
UCP X09-26	1-5/8												UC X09-26		
UCP X09-27	1-11/16	2-5/16	8-3/4	6-5/32	2-5/8	25/32	29/32	1-1/32	4-9/16	2.0315	0.748	5/8	UC X09-27		
UCP X09-28	1-3/4												UC X09-28		
UCP X09-29	1-13/16												UC X09-29		
UCP X10	50	63.5	241	171	73	20	23	27	126	55.6	22.2	M16	UC X10	PX10	4.3
UCP X10-30	1-7/8												UC X10-30		
UCP X10-31	1-15/16	2-1/2	9-1/2	6-47/64	2-7/8	25/32	29/32	1-1/16	4-31/32	2.1890	0.874	5/8	UC X10-31		
UCP X10-32	2												UC X10-32		
UCP X11	55	69.8	260	184	79	25	28	30	137	65.1	25.4	M20	UC X11	PX11	5.7
UCP X11-33	2-1/16												UC X11-33		
UCP X11-34	2-1/8												UC X11-34		
UCP X11-35	2-3/16	2-3/4	10-1/4	7-1/4	3-1/8	31/32	1-3/32	1-3/16	5-31/32	2.5630	1.000	3/4	UC X11-35		
UCP X11-36	2-1/4												UC X11-36		
UCP X11-37	2-5/16												UC X11-37		
UCP X12	60	76.2	286	203	8.3	25	28	33	151	65.1	25.4	M20	UC X12	PX12	7.3
UCP X12-38	2-3/8	3	11-1/4	8	3-9/32	31/32	1-3/32	1-5/16	5-15/16	2.5630	1.000	3/4	UC X12-38		
UCP X12-39	2-7/16												UC X12-39		
UCP X13	65	76.2	286	203	8.3	25	28	33	154	74.6	30.2	M20	UC X13	PX13	7.6
UCP X13-40	2-1/2	3	11-1/4	8	3-9/32	63/64	1-3/32	1-5/16	6-1/16	2.9370	1.189	3/4	UC X13-40		
UCP X13-41	2-9/16												UC X13-41		
UCP X14	70	88.9	33.0	229	89	27	30	35	170	77.8	33.3	M22	UC X14	PX14	9.9
UCP X14-42	2-5/8												UC X14-42		
UCP X14-43	2-11/16	3-1/2	13	9-1/32	3-1/2	1-1/16	1-3/16	1-3/8	6-11/16	3.0630	1.311	7/8	UC X14-43		
UCP X14-44	2-3/4												UC X14-44		
UCP X15	75	88.9	330	229	89	27	30	35	175	82.6	33.3	M22	UC X15	PX15	11
UCP X15-45	2-13/16												UC X15-45		
UCP X15-46	2-7/8	3-1/2	13	9-1/32	3-1/2	1-1/16	1-3/16	1-3/8	6-7/8	3.2520	1.311	7/8	UC X15-46		
UCP X15-47	2-15/16												UC X15-47		
UCP X15-48	3												UC X15-48		
UCP X16	80	101.6	381	283	102	27	30	40	194	85.7	34.1	M22	UC X16	PX16	15
UCP X16-49	3-1/16												UC X16-49		
UCP X16-50	3-1/8	4	15	11-5/32	4-1/32	1-1/16	1-3/16	1-9/16	7-5/8	3.3740	1.343	7/8	UC X16-50		
UCP X16-51	3-3/16												UC X16-51		
UCP X16-52	3-1/4												UC X16-52		
UCP X17	85	101.6	381	283	102	27	30	40	200	96	39.7	M22	UC X17	PX17	16
UCP X17-53	3-5/16	4	15	11-5/32	4-1/32	1-1/16	1-3/16	1-9/16	7-7/8	3.7795	1.563	7/8	UC X17-53		
UCP X17-55	3-7/16												UC X17-55		



## UCP 3 Series

## Pillow Blocks

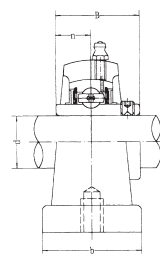
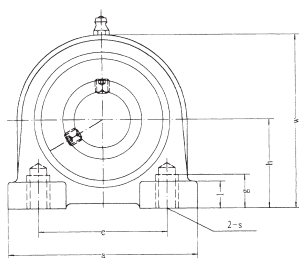


Bearing Unit / Insert

Unit No.	Dimensions <small>mm inch</small>											Bolt Size <small>mm inch</small>	Bearing No.	Housing No.	Weight (kg)
	d	h	a	e	b	S <sub>1</sub>	S <sub>2</sub>	g	w	B	n				
UCP 305	25	45	175	132	45	17	20	15	85	38	38	M14	UC 305	P305	1.4
UCP 305-13	13/16	1-49/64	6-7/8	5-3/16	1-25/32	43/64	25/32	19/32	3-11/32	1.4961	0.591	1/2	UC 305-13		
UCP 305-14	7/8												UC 305-14		
UCP 305-15	15/16												UC 305-15		
UCP 305-16	1												UC 305-16		
UCP 306	30	50	180	140	50	17	20	18	95	43	17	M14	UC 306	P306	1.8
UCP 306-17	1-1/16												UC 306-17		
UCP 306-18	1-1/8	1-31/32	7-3/32	5-1/2	1-31/32	43/64	25/32	23/32	3-3/4	1.6929	0.669	1/2	UC 306-18		
UCP 306-19	1-3/16												UC 306-19		
UCP 307	35	56	210	160	56	17	25	20	106	48	19	M14	UC 307	P307	2.8
UCP 307-20	1-1/4												UC 307-20		
UCP 307-21	1-5/16												UC 307-21		
UCP 307-22	1-3/8	1-13/64	8-9/32	6-5/16	2-13/64	43/64	31/32	25/32	4-3/16	1.8898	1.748	1/2	UC 307-22		
UCP 307-23	1-7/16												UC 307-23		
UCP 308	40	60	220	170	60	17	27	22	116	52	19	M14	UC 308	P308	3.0
UCP 308-24	1-1/2	2-23/64	8-21/32	6-11/16	2-3/8	43/64	1-11/16	7/8	4-9/16	2.0472	0.748	1/2	UC 308-24		
UCP 308-25	1-9/16												UC 308-25		
UCP 309	45	67	245	190	67	20	30	24	129	57	22	M16	UC 309	P309	4.1
UCP 309-26	1-5/8												UC 309-26		
UCP 309-27	1-11/16	2-41/64	9-21/32	7-15/32	2-5/8	25/32	1-3/16	15/16	5-3/32	2.2441	0.866	5/8	UC 309-27		
UCP 309-28	1-3/4												UC 309-28		
UCP 310	50	75	275	212	75	20	35	27	143	61	22	M16	UC 310	P310	5.8
UCP 310-29	1-13/16												UC 310-29		
UCP 310-30	1-7/8	2-61/64	10-13/16	8-11/32	2-15/16	25/32	1-3/8	1-1/16	5-5/8	2.4016	0.866	5/8	UC 310-30		
UCP 310-31	1-15/16												UC 310-31		
UCP 311	55	80	310	236	80	20	38	30	154	66	25	M16	UC 311	P311	7.4
UCP 311-32	2												UC 311-32		
UCP 311-33	2-1/16												UC 311-33		
UCP 311-34	2-1/8	3-5/32	12-7/32	9-9/32	3-5/32	25/32	1-1/2	1-3/16	6-1/16	2.5984	0.984	5/8	UC 311-34		
UCP 311-35	2-3/16												UC 311-35		
UCP 312	60	85	330	250	85	25	38	32	165	71	26	M20	UC 312	P312	9.4
UCP 312-36	2-1/4												UC 312-36		
UCP 312-37	2-5/16												UC 312-37		
UCP 312-38	2-3/8	3-11/32	13	9-17/32	3-11/32	31/32	1-1/2	1-1/4	6-1/2	2.7953	1.024	3/4	UC 312-38		
UCP 312-39	2-7/16												UC 312-39		
UCP 313	65	90	340	260	90	25	38	33	176	75	30	M20	UC 313	P313	10
UCP 313-40	2-1/2	3-35/64	13-3/8	10-1/4	3-17/32	31/32	1-1/2	1-5/16	6-15/16	2.9528	1.181	3/4	UC 313-40		
UCP 313-41	2-9/16												UC 313-41		
UCP 314	70	95	360	280	90	27	40	35	187	78	33	M22	UC 314	P314	12
UCP 314-42	2-5/8												UC 314-42		
UCP 314-43	2-11/16	3-47/64	14-3/16	11-1/32	3-17/32	1-1/16	1-9/16	1-3/8	7-3/8	3.0708	1.299	7/8	UC 314-43		
UCP 314-44	2-3/4												UC 314-44		
UCP 315	75	100	380	290	100	27	40	35	198	82	32	M22	UC 315	P315	14
UCP 315-45	2-13/16												UC 315-45		
UCP 315-46	2-7/8												UC 315-46		
UCP 315-47	2-15/16	3-15/16	14-31/32	11-13/32	3-15/16	1-1/16	1-9/16	1-3/8	7-25/32	3.2283	1.250	7/8	UC 315-47		
UCP 315-48	3												UC 315-48		
UCP 316	80	106	400	300	110	27	40	40	210	86	34	M22	UC 316	P316	18
UCP 316-49	3-1/16												UC 316-49		
UCP 316-50	3-1/8	4-11/64	15-3/4	11-13/16	4-11/32	1-1/16	1-9/16	1-9/16	8-9/32	3.3858	1.339	7/8	UC 316-50		
UCP 316-51	3-3/16												UC 316-51		
UCP 317	85	112	420	320	110	33	45	40	220	96	40	M27	UC 317	P317	20
UCP 317-52	3-1/4												UC 317-52		
UCP 317-53	3-5/16	4-13/32	16-17/32	12-19/32	4-11/32	1-5/16	1-25/32	1-9/16	8-21/32	3.7795	1.575	1	UC 317-53		
UCP 317-55	3-7/16												UC 317-55		
UCP 318	90	118	430	330	110	33	45	45	235	96	40	M27	UC 318	P318	24
UCP 318-55	3-7/16	4-41/64	16-15/16	13	4-11/32	1-5/16	1-25/32	1-25/32	9-1/4	3.7795	1.575	1	UC 318-55		
UCP 318-56	3-1/2												UC 318-56		
UCP 319	95	125	470	360	120	36	50	45	250	103	41	M30	UC 319	P319	29
UCP 319-58	3-5/8												UC 319-58		
UCP 319-59	3-11/16	4-59/64	18-1/2	14-3/16	4-23/32	1-13/32	1-31/32	1-25/32	9-27/32	4.0551	1.614	1-1/8	UC 319-59		
UCP 319-60	3-3/4												UC 319-60		
UCP 320	100	140	490	380	120	36	50	46	273	108	42	M30	UC 320	P320	35.1
UCP 320-64	4	5-29/32	19-9/32	14-31/32	4-23/32	1-13/32	1-31/32	1-13/16	10-3/4	4-1/4	1-21/32	1-1/8	UC 320-64		

## Pillow Blocks

## UCPA 2 Series

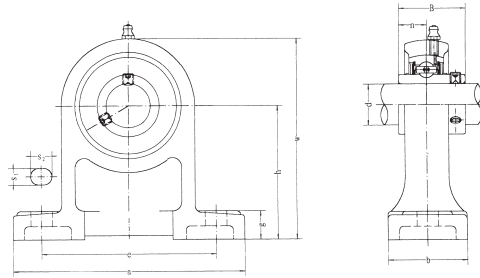


Bearing Unit / Insert

Unit No.	Dimensions <small>mm inch</small>											Bolt Size mm inch	Bearing No.	Housing No.	Weight (kg)
	d	h	a	e	b	S1	S2	g	w	B	n				
UCPA 201	12	30.2	76	52	40		15	11	62	31	12.7	M10	PA204	UC 201	0.6
UCPA 201-8	3/4													UC 201-8	0.59
UCPA 202	15													UC 202	0.59
UCPA 202-9	9/16													UC 202-9	0.59
UCPA 202-10	5/8	1-3/16	3	2-3/64	1-9/16	M10	19/32	7/16	2-7/16	1.2205	0.500			UC 202-10	0.59
UCPA 203	17													UC 203	0.58
UCPA 203-11	11/16													UC 203-11	0.57
UCPA 204	20													UC 204	0.56
UCPA 204-12	3/4											UC 204-12	0.56		
UCPA 205	25	36.5	84	56	38		15	12	72	34.1	14.3	M10	PA205	UC 205	0.83
UCPA 205-13	13/16													UC 205-13	0.87
UCPA 205-14	7/8	1-7/16	3-5/16	2-13/64	1-1/2	M10	19/32	15/32	2-53/64	1.3425	0.563			UC 205-14	0.86
UCPA 205-15	15/16													UC 205-15	0.84
UCPA 205-16	1													UC 206-16	0.83
UCPA 206	30	42.9	94	66	50		18	12	84	38.1	15.9	M14	PA206	UC 206	1.12
UCPA 206-17	1-1/16													UC 206-17	1.15
UCPA 206-18	1-1/8	1-11/16	3-45/64	2-19/32	1-31/32	M14	45/64	15/32	3-5/16	1.5000	0.626			UC 206-18	1.14
UCPA 206-19	1-3/16													UC 206-19	1.12
UCPA 206-20	1-1/4													UC 206-20	1.11
UCPA 207	35	47.6	110	80	55		20	13	95	42.9	17.5			M14	PA207
UCPA 207-20	1-1/4											UC 207-20	1.54		
UCPA 207-21	1-5/16	1-7/8	4-21/64	3-5/32	2-11/64	M14	25/32	33/64	3-47/64	1.6890	0.689	UC 207-21	1.51		
UCPA 207-22	1-3/8											UC 207-22	1.48		
UCPA 207-23	1-7/16											UC 207-23	1.45		
UCPA 208	40	49.2	116	84	58		20	13	100	49.2	19	M14	PA208	UC 208	1.89
UCPA 208-24	1-1/2	1-15/16	4-9/16	3-5/16	2-9/32	M14	25/32	33/64	3-15/16	1.9370	0.748			UC 208-24	1.93
UCPA 208-25	1-9/16													UC 208-25	1.90
UCPA 209	45	54.2	120	90	60		25	13	108	49.2	19	M14	PA209	UC 209	1.98
UCPA 209-26	1-5/8													UC 209-26	2.08
UCPA 209-27	1-11/16	2-9/64	4-23/32	3-35/64	2-23/64	M14	63/64	33/64	4-1/4	1.9370	0.748			UC 209-27	2.04
UCPA 209-28	1-3/4													UC 209-28	2.00
UCPA 210	50	57.2	130	94	64		25	14	116	51.6	19			M16	PA210
UCPA 210-29	1-13/16											UC 210-29	2.28		
UCPA 210-30	1-7/8	2-1/4	5-1/8	3-45/64	2-33/64	M16	63/64	35/64	4-9/16	2.0315	0.748	UC 210-30	2.23		
UCPA 210-31	1-15/16											UC 210-31	2.18		
UCPA 210-32	2											UC 210-32	2.14		
UCPA 211	55	63.5	140	104	66		25	14	125	55.6	22.2	M16	PA211	UC 211	3.26
UCPA 211-32	2													UC 211-32	3.41
UCPA 211-33	2-11/16	2-1/2	5-33/64	4-3/32	2-19/32	M16	63/64	35/64	4-59/64	2.1890	0.874			UC 211-33	3.35
UCPA 211-34	2-1/8													UC 211-34	3.30
UCPA 211-35	2-3/16													UC 211-35	3.24
UCPA 212	60	69.9	150	114	68		25	15	138	65.1	25.4	M16	PA212	UC 212	4.19
UCPA 212-36	2-1/4													UC 212-36	4.32
UCPA 212-37	2-5/16	2-3/4	5-29/32	4-31/64	2-43/64	M16	63/64	19/32	5-7/16	2.5630	1.000			UC 212-37	4.24
UCPA 212-38	2-3/8													UC 212-38	4.17
UCPA 212-39	2-7/16													UC 212-39	4.10
UCPA 213	65	76.2	160	124	70		25	15	150	65.1	25.4	M16	PA213	UC 213	6.23
UCPA 213-40	2-1/2	3	6-19/64	4-7/8	2-3/4	M16	63/64	19/32	5-29/32	2.5630	1.000			UC 213-40	6.31
UCPA 213-41	2-9/16													UC 213-41	6.17

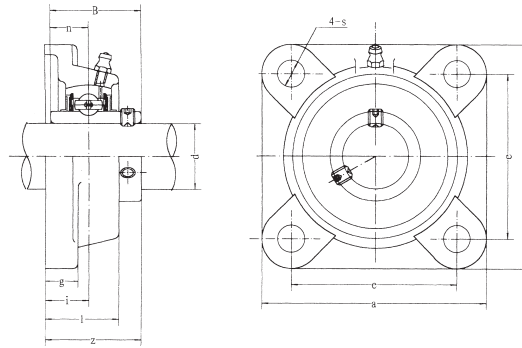
## UCPH 2 Series

## Pillow Blocks



Unit No.	Dimensions <small>mm inch</small>											Bolt Size <small>mm inch</small>	Bearing No.	Housing No.	Weight (kg)
	d	h	a	e	b	S <sub>1</sub>	S <sub>2</sub>	g	w	B	n				
UCPH 201	12	70	127	95	40	13	19	15	101	31	12.7	M10	UC 201	PH204	0.81
UCPH 201-8	3/4												UC 201-8		0.80
UCPH 202	15												UC 202		0.80
UCPH 202-9	9/16												UC 202-9		0.80
UCPH 202-10	5/8	2-3/4	5	3-3/4	1-9/16	1/2	3/4	19/32	3-63/64	1.2205	0.500	3/8	UC 202-10		0.80
UCPH 203	17												UC 203		0.79
UCPH 203-11	11-16												UC 203-11		0.78
UCPH 204	20												UC 204		0.77
UCPH 204-12	3/4												UC 204-12		0.77
UCPH 205	25	80	140	105	50	13	19	16	114	34.1	14.3	M10	UC 205		PH205
UCPH 205-13	13/16												UC 205-13	1.05	
UCPH 205-14	7/8	3-5/32	5-1/2	4-1/8	1-31/32	1/2	3/4	5/8	4-31/64	1.3425	0.563	3/8	UC 205-14	1.04	
UCPH 205-15	15/16												UC 205-15	1.02	
UCPH 205-16	1												UC 205-16	1.01	
UCPH 206	30	90	161	121	50	17	21	17	130	38.1	15.9	M14	UC 206	PH206	1.47
UCPH 206-17	1-1/16												UC 206-17		1.50
UCPH 206-18	1-1/8	3-35/64	6-11/32	4-3/4	1-31/32	43/64	53/64	43/64	5-1/8	1.5000	0.626	1/2	UC 206-18		1.49
UCPH 206-19	1-3/16												UC 206-19		1.47
UCPH 206-20	1-1/4												UC 206-20		1.46
UCPH 207	35	95	166	127	60	17	21	18	140	42.9	17.5	M14	UC 207	PH207	1.91
UCPH 207-20	1-1/4												UC 207-20		1.97
UCPH 207-21	1-5/16												UC 207-21		1.94
UCPH 207-22	1-3/8	3-47/64	6-17/32	5	2-23/64	43/64	53/64	45/64	5-33/64	1.6890	0.689	1/2	UC 207-22		1.91
UCPH 207-23	1-7/16												UC 207-23		1.88
UCPH 208	40	100	178	137	70	17	21	19	150	49.2	19	M14	UC 208	PH208	2.52
UCPH 208-24	1-1/2	3-15/16	7-1/64	5-13/23	2-3/4	43/64	53/64	3/4	5-29/32	1.9370	0.748	1/2	UC 208-24		2.56
UCPH 208-25	1-9/16												UC 208-25		2.53
UCPH 209	45	105	189	146	70	17	21	20	158	49.2	19	M14	UC 209	PH209	2.72
UCPH 209-26	1-5/8												UC 209-26		2.82
UCPH 209-27	1-11/16	4-9/64	7-7/16	5-3/4	2-3/4	43/64	53/64	25/32	6-7/32	1.9370	0.748	1/2	UC 209-27		2.78
UCPH 209-28	1-3/4												UC 209-28		2.74
UCPH 210	50	110	205	159	70	20	23	21	165	51.6	19	M16	UC 210		3.10
UCPH 210-29	1-13/16												UC 210-29	3.22	
UCPH 210-30	1-7/8	4-21/64	8-5/64	6-1/4	2-3/4	25/32	29/32	53/64	6-1/2	2.0315	0.748	5/8	UC 210-30	3.17	
UCPH 210-31	1-15/16												UC 210-31	3.12	
UCPH 210-32	2												UC 210-32	3.08	
UCPH 211	55	120	219	171	75	20	23	22	181	55.6	22.2	M16	UC 211	PH211	5.51
UCPH 211-32	2												UC 211-32		5.66
UCPH 211-33	2-1/16	4-23/32	8-5/8	6-47/64	2-61/64	25/32	29/32	55/64	7-1/8	2.1890	0.874	5/8	UC 211-33		5.60
UCPH 211-34	2-1/8												UC 211-34		5.55
UCPH 211-35	2-3/16												UC 211-35		5.49
UCPH 212	60	130	241	184	85	20	23	25	197	65.1	25.4	M16	UC 212	PH212	6.34
UCPH 212-36	2-1/4												UC 212-36		6.47
UCPH 212-37	2-5/16	5-1/8	9-1/2	7-1/4	3-11/32	25/32	29/32	63/64	7-3/4	2.5630	1.000	5/8	UC 212-37		6.40
UCPH 212-38	2-3/8												UC 212-38		6.32
UCPH 212-39	2-7/16												UC 212-39		6.25
UCPH 213	65	140	265	203	95	25	28	27	212	65.1	25.4	M20	UC 213	PH213	7.46
UCPH 213-40	2-1/2	5-33/64	10-7/16	8	3-3/4	63/64	1-3/32	1-1/16	8-11/32	2.5630	1.000	3/4	UC 213-40		7.54
UCPH 213-41	2-9/16												UC 213-41		7.40
UCPH 214	70	150	266	210	105	25	28	28	225	74.6	30.2	M20	UC 214	PH214	8.25
UCPH 214-42	2-5/8												UC 214-42		8.46
UCPH 214-43	2-11/16	5-29/32	10-15/32	8-17/64	5-9/64	63/64	1-3/32	1-7/64	8-55/64	2.9370	1.189	3/4	UC 214-43		8.36
UCPH 214-44	2-3/4												UC 214-44		8.26
UCPH 215	75	160	275	217	115	25	28	29	238	77.8	33.3	M20	UC 215	PH215	9.61
UCPH 215-45	2-13/16												UC 215-45		9.86
UCPH 215-46	2-7/8	5-19/64	10-53/64	8-35/64	4-17/32	63/64	1-3/32	1-9/64	9-3/8	3.0630	1.311	3/4	UC 215-46		9.75
UCPH 215-47	2-15/16												UC 215-47		9.64
UCPH 215-48	3												UC 215-48		9.52
UCPH 216	80	170	292	232	125	25	28	30	253	82.6	33.3	M20	UC 216	PH216	10.80
UCPH 216-49	3-1/16												UC 216-49		10.98
UCPH 216-50	3-1/8	6-11/16	11-1/2	9-1/8	4-59/64	63/64	1-3/32	1-3/16	9-61/64	3.2520	1.311	3/4	UC 216-50		10.58
UCPH 216-51	3-3/16												UC 216-51		10.72

Bearing Unit / Insert



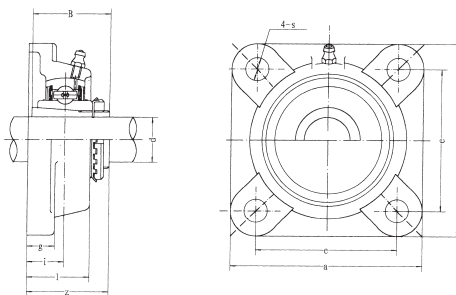
Unit No.	Dimensions <small>mm inch</small>										Bolt Size <small>mm inch</small>	Bearing No.	Housing No.	Weight (kg)
	d	a	e	i	g	l	S	z	B	n				
*UCF 201	12	86	64	15	12	25.5	12	33.3	31	12.7	M10	UC 201	F204	0.60
*UCF 201-8	3/4	3-3/8	2-33/64	19/32	15/32	1	15/32	1-5/16	1.2205	0.500	3/8	UC 201-8		0.59
*UCF 202	15	86	64	15	12	25.5	12	33.3	31	12.7	M10	UC 202	F204	0.59
*UCF 202-9	9/16	3-3/8	2-33/64	19/32	15/32	1	15/32	1-5/16	1.2205	0.500	3/8	UC 202-9		0.59
*UCF 202-10	5/8											UC 202-10		0.59
*UCF 203	17	86	64	15	12	25.5	12	33.3	31	12.7	M10	UC 203	F204	0.58
*UCF 203-11	11/16	3-3/8	2-33/64	19/32	15/32	1	15/32	1-5/16	1.2205	0.500	3/8	UC 203-11		0.57
*UCF 204	20	86	64	15	12	25.5	12	33.3	31	12.7	M10	UC 204	F204	0.56
*UCF 204-12	3/4	3-3/8	2-33/64	19/32	15/32	1	15/32	1-5/16	1.2205	0.500	3/8	UC 204-12		0.56
*UCF 205	25	95	70	16	14	27	12	35.8	34.1	14.3	M10	UC 205	F205	0.80
*UCF 205-13	13/16											UC 205-13		0.84
*UCF 205-14	7/8	3-3/4	2-3/4	5/8	35/64	1-1/16	15/32	1-13/32	1.3425	0.563	3/8	UC 205-14		0.83
*UCF 205-15	15/16											UC 205-15		0.81
*UCF 205-16	1											UC 205-16		0.80
*UCF 206	30	108	83	18	14	31	12	40.2	38.1	15.9	M10	UC 206	F206	1.12
*UCF 206-17	1-1/16											UC 206-17		1.15
*UCF 206-18	1-1/8											UC 206-18		1.14
*UCF 206-19	1-3/16	4-1/4	3-17/64	45/64	35/64	1-7/32	15/32	1-19/32	1.5000	0.626	3/8	UC 206-19		1.12
*UCF 206-20	1-1/4											UC 206-20		1.11
*UCF 207	35	117	92	19	16	34	14	44.4	42.9	17.5	M12	UC 207	F207	1.46
*UCF 207-20	1-1/4											UC 207-20		1.52
*UCF 207-21	1-5/16											UC 207-21		1.49
*UCF 207-22	1-3/8	4-39/64	3-5/8	3/4	5/8	1-11/32	35/64	1-3/4	1.6890	0.689	7/16	UC 207-22		1.46
*UCF 207-23	1-7/16											UC 207-23		1.43
*UCF 208	40	130	102	21	16	36	16	51.2	49.2	19	M14	UC 208	F208	1.84
*UCF 208-24	1-1/2	5-1/8	4-1/64	53/64	5/8	1-27/64	5/8	2-1/64	1.9370	0.748	1/2	UC 208-24		1.88
*UCF 208-25	1-9/16											UC 208-25		1.85
*UCF 209	45	137	105	22	18	38	16	52.2	49.2	19	M14	UC 209	F209	2.15
*UCF 209-26	1-5/8											UC 209-26		2.25
*UCF 209-27	1-11/16	5-13/32	4-9/64	55/64	23/32	1-1/2	5/8	2-1/16	1.9370	0.748	1/2	UC 209-27		2.21
*UCF 209-28	1-3/4											UC 209-28		2.17
*UCF 210	50	143	111	22	18	40	16	54.6	51.6	19	M14	UC 210	F210	2.42
*UCF 210-29	1-13/16											UC 210-29		2.54
*UCF 210-30	1-7/8											UC 210-30		2.49
*UCF 210-31	1-15/16	5-5/8	4-3/8	55/64	23/32	1-9/16	5/8	2-5/32	2.0315	0.748	1/2	UC 210-31		2.44
*UCF 210-32	2											UC 210-32		2.40
*UCF 211	55	162	130	25	20	43	19	58.4	55.6	22.2	M16	UC 211	F211	3.31
*UCF 211-32	2											UC 211-32		3.46
*UCF 211-33	2-1/16											UC 211-33		3.40
*UCF 211-34	2-1/8	6-3/8	5-1/8	63/64	25/32	1-11/16	3/4	1-5/16	2.1890	0.874	5/8	UC 211-34		3.35
*UCF 211-35	2-3/16											UC 211-35		3.29
UCF 212	60	175	143	29	20	48	19	68.7	65.1	25.4	M16	UC 212	F212	4.28
UCF 212-36	2-1/4											UC 212-36		4.41
UCF 212-37	2-5/16	6-57/64	5-5/8	1-9/64	25/32	1-57/64	3/4	2-45/64	2.5630	1.000	5/8	UC 212-37		4.33
UCF 212-38	2-3/8											UC 212-38		4.26
UCF 212-39	2-7/16											UC 212-39		4.19
UCF 213	65	187	149	30	22	50	19	69.7	65.1	25.4	M16	UC 213	F213	4.99
UCF 213-40	2-1/2	7-23/64	5-55/64	1-3/16	55/64	1-31/32	3/4	2-3/4	2.5630	1.000	5/8	UC 213-40		5.08
UCF 213-41	2-9/16											UC 213-41		4.99
UCF 214	70	193	152	31	22	54	19	75.4	74.6	30.2	M16	UC 214	F214	5.85
UCF 214-42	2-5/8											UC 214-42		6.06
UCF 214-43	2-11/16	7-19/32	5-63/64	1-7/32	55/64	2-1/8	3/4	2-31/32	2.9370	1.189	5/8	UC 214-43		5.96
UCF 214-44	2-3/4											UC 214-44		5.86
UCF 215	75	200	159	34	22	56	19	78.5	77.8	33.3	M16	UC 215	F215	6.91
UCF 215-45	2-13/16											UC 215-45		7.16
UCF 215-46	2-7/8	7-7/8	6-17/64	1-11/32	55/64	2-7/32	3/4	3-3/32	3.0630	1.311	5/8	UC 215-46		7.05
UCF 215-47	2-15/16											UC 215-47		6.94
UCF 215-48	3											UC 215-48		6.82
UCF 216	80	208	165	34	22	58	23	83.3	82.6	33.3	M20	UC 216	F216	7.50
UCF 216-49	3-1/8											UC 216-49		7.68
UCF 216-50	3-1/8	8-3/16	6-1/2	1-11/32	55/64	2-9/32	29/32	3-9/32	3.2520	1.311	3/4	UC 216-50		7.55
UCF 216-51	3-3/16											UC 216-51		7.42
UCF 217	85	220	175	36	24	63	23	87.6	85.7	34.1	M20	UC 217	F217	9.66
UCF 217-52	3-1/4											UC 217-52		9.88
UCF 217-53	3-5/16	8-21/32	6-57/64	1-27/64	15/16	2-15/32	29/32	3-7/16	3.3740	1.343	3/4	UC 217-53		9.74
UCF 217-55	3-7/16											UC 217-55		9.45
UCF 218	90	235	187	40	24	68	23	96.3	96	39.7	M20	UC 218	F218	12.06
UCF 218-56	3-1/2	9-1/4	7-23/64	1-37/64	15/16	2-11/16	29/32	3-25/32	3.7795	1.5630	3/4	UC 218-56		12.17

\* Add SS in front of the Unit No for Stainless Steel Bearing and Housing with plastic cover (Eg. SS UCP 205)  
 \* Add SP in front of the Unit No for Stainless Steel Bearing with Thermo-Plastic Housing (Eg. SP UCF 205)

Add C as suffix for both side Open cover (Eg. SP UCF 205 C)  
 or CD as suffix for one side Open & one side Closed cover (Eg. SP UCF 205 CD)

## UKF 2 Series

## Flange Units (Adapter mounted)

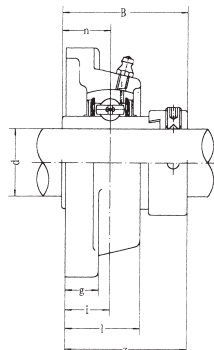
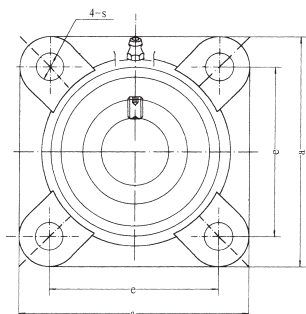


Bearing Unit / Insert

Unit No.	Dimensions <small>mm inch</small>									Bolt Size <small>mm inch</small>	Bearing No.	No.	Housing No.	Weight (kg)
	d	a	e	i	g	l	s	z	B <sub>1</sub>					
UKF 205	20 <small>3/4</small>	95 <small>3-3/4</small>	70 <small>2-3/4</small>	16 <small>5/8</small>	14 <small>35/64</small>	27 <small>1-1/8</small>	12 <small>15/32</small>	35.5 <small>1-25/64</small>	35 <small>1.378</small>	M10 <small>3/8</small>	UK 205	H305 HE305	F205	0.85
UKF 206	25 <small>7/8</small> 1	108 <small>4-1/4</small>	83 <small>3-17/64</small>	18 <small>45/64</small>	14 <small>35/64</small>	31 <small>1-7/32</small>	12 <small>15/32</small>	39 <small>1-17/32</small>	38 <small>1.496</small>	M10 <small>3/8</small>	UK 206	H306 HS306 HE306	F206	1.16
UKF 207	30 <small>1-1/8</small>	117 <small>4-39/64</small>	92 <small>3-5/8</small>	19 <small>3/4</small>	16 <small>5/8</small>	34 <small>1-11/32</small>	14 <small>35/64</small>	42.5 <small>1-43/65</small>	43 <small>1.693</small>	M12 <small>7/16</small>	UK 207	H307 HS307	F207	1.55
UKF 208	35 <small>1-1/4</small> <small>1-3/8</small>	130 <small>5-1/8</small>	102 <small>4-1/64</small>	21 <small>53/64</small>	16 <small>5/8</small>	36 <small>1-27/64</small>	16 <small>5/8</small>	46.5 <small>1-53/64</small>	46 <small>1.811</small>	M14 <small>1/2</small>	UK 208	H308 HE308 HS308	F208	1.94
UKF 209	40 <small>1-7/16</small> <small>1-1/2</small> <small>1-5/8</small>	137 <small>5-13/32</small>	105 <small>4-9/64</small>	22 <small>55/64</small>	18 <small>23/32</small>	38 <small>1-1/2</small>	16 <small>5/8</small>	48.5 <small>1-29/32</small>	50 <small>1.969</small>	M14 <small>1/2</small>	UK 209	H309 HA309 HE309 HS309	F209	2.30
UKF 210	45 <small>1-5/8</small> <small>1-11/16</small> <small>1-3/4</small>	143 <small>5-5/8</small>	111 <small>4-3/8</small>	22 <small>55/64</small>	18 <small>23/32</small>	40 <small>1-9/16</small>	16 <small>5/8</small>	50 <small>1-31/32</small>	55 <small>2.165</small>	M14 <small>1/2</small>	UK 210	H310 HA310 HE310 HS310	F210	2.59
UKF 211	50 <small>1-7/8</small> <small>1-15/16</small> 2	162 <small>6-3/8</small>	130 <small>5-1/8</small>	25 <small>63/64</small>	20 <small>25/32</small>	43 <small>1-11/16</small>	19 <small>3/4</small>	54.5 <small>2-9/64</small>	59 <small>2.323</small>	M16 <small>5/8</small>	UK 211	H311 HA311 HE311 HS311	F211	3.46
UKF 212	55 <small>2-1/8</small>	175 <small>6-57/64</small>	143 <small>5-5/8</small>	29 <small>1-9/64</small>	20 <small>25/32</small>	48 <small>1-57/64</small>	19 <small>3/4</small>	61 <small>2-13/32</small>	62 <small>2.441</small>	M16 <small>5/8</small>	UK 212	H312 HS312	F212	4.33
UKF 213	60 <small>2-3/16</small> <small>2-1/4</small> <small>2-3/8</small>	187 <small>7-23/64</small>	149 <small>5-55/64</small>	30 <small>1-3/16</small>	22 <small>55/64</small>	50 <small>1-31/32</small>	19 <small>3/4</small>	64 <small>2-33/64</small>	65 <small>2.559</small>	M16 <small>5/8</small>	UK 213	H313 HA313 HE313 HS313	F213	4.90
UKF 215	65 <small>2-7/16</small> <small>2-1/2</small>	200 <small>7-7/8</small>	159 <small>6-17/64</small>	32 <small>1-11/32</small>	22 <small>55/64</small>	56 <small>2-7/32</small>	19 <small>3/4</small>	71 <small>2-51/64</small>	73 <small>2.874</small>	M16 <small>5/8</small>	UK215	H315 HA315 HE315	F215	7.02
UKF 216	70 <small>2-11/16</small> <small>2-3/4</small>	208 <small>8-3/16</small>	165 <small>6-1/2</small>	34 <small>1-11/32</small>	22 <small>55/64</small>	58 <small>2-9/32</small>	23 <small>29/32</small>	73.5 <small>2-57/64</small>	78 <small>3.071</small>	M20 <small>3/4</small>	UK216	H316 HA316 HE316	F216	7.76
UKF 217	75 <small>2-15/16</small> 3	220 <small>8-21/32</small>	175 <small>6-57/64</small>	36 <small>1-27/64</small>	24 <small>15/16</small>	63 <small>2-15/32</small>	23 <small>29/32</small>	77 <small>3-1/32</small>	82 <small>3.228</small>	M20 <small>3/4</small>	UK217	H317 HA317 HE317	F217	10.08
UKF 218	80 <small>3-3/16</small>	235 <small>9-1/4</small>	187 <small>7-23/64</small>	40 <small>1-37/64</small>	24 <small>15/16</small>	68 <small>2-11/16</small>	23 <small>29/32</small>	81.5 <small>3-13/64</small>	86 <small>3.386</small>	M20 <small>3/4</small>	UK218	H318 H3A18	F218	12.44

## Flange Units (with Eccentric Locking Collar)

## NAF 2 Series

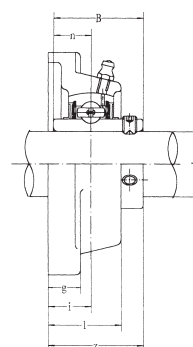
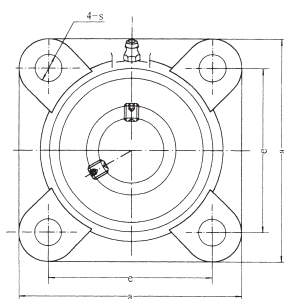


Bearing Unit / Insert

Unit No.	Dimensions <small>mm inch</small>										Bolt Size <small>mm inch</small>	Bearing No.	Housing No.	Weight (kg)
	d	a	e	i	g	l	S	z	B	n				
NAF 204	20	86	64	15	12	25.5	12	41.6	43.7	17.1	M10	NA 204	F204	0.63
NAF 204-12	3/4	3-3/8	2-33/64	19/32	15/32	1	15/32	1-41/64	1.720	0.673	3/8	NA 204-12		0.63
NAF 205	25	95	70	16	14	27	12	42.9	44.4	17.5	M10	NA 205	F205	0.87
NAF 205-13	13/16											NA 205-13		0.92
NAF 205-14	7/8	3-3/4	2-3/4	5/8	35/64	1-1/16	15/32	1-11/16	1.748	0.689	3/8	NA 205-14		0.91
NAF 205-15	15/16											NA 205-15		0.89
NAF 205-16	1											NA 205-16		0.87
NAF 206	30	108	83	18	14	31	12	48.1	48.4	18.3	M10	NA 206	F206	1.25
NAF 206-17	1-1/16											NA 206-17		1.30
NAF 206-18	1-1/8	4-1/4	3-17/64	45/64	35/64	1-7/32	15/32	1-57/64	1.906	0.720	3/8	NA 206-18		1.27
NAF 206-19	1-3/16											NA 206-19		1.25
NAF 206-20	1-1/4											NA 206-20		1.24
NAF 207	35	117	92	19	16	34	14	51.3	51.1	18.8	M12	NA 207	F207	1.58
NAF 207-20	1-1/4											NA 207-20		1.65
NAF 207-21	1-5/16	4-39/64	3-5/8	3/4	5/8	1-11/32	35/64	2-1/64	2.012	0.740	7/16	NA 207-21		1.61
NAF 207-22	1-3/8											NA 207-22		1.58
NAF 207-23	1-7/16											NA 208-23		1.55
NAF 208	40	130	102	21	16	36	16	55.9	56.3	21.4	M14	NA 208	F208	1.99
NAF 208-24	1-1/2	5-1/8	4-1/64	53/64	5/8	1-27/32	5/8	2-13/64	2.217	0.843	1/2	NA 208-24		2.04
NAF 208-25	1-9/16											NA 208-25		2.00
NAF 209	45	137	105	22	18	38	16	56.9	56.3	21.4	M14	NA 209	F209	2.32
NAF 209-26	1-5/8											NA 209-26		2.43
NAF 209-27	1-11/16	5-13/32	4-9/64	55/64	55/64	1-1/2	5/8	2-15/64	2.217	0.843	1/2	NA 209-27		2.38
NAF 209-28	1-3/4											NA 209-28		2.34
NAF 210	50	143	111	22	18	40	16	60.1	62.7	24.6	M14	NA 210	F210	2.61
NAF 210-29	1-13/16											NA 210-29		2.76
NAF 210-30	1-7/8	5-5/8	4-3/8	55/64	23/32	1-9/16	5/8	2-3/8	2.469	0.969	1/2	NA 210-30		2.70
NAF 210-31	1-15/16											NA 210-31		2.64
NAF 210-32	2											NA 210-32		2.58
NAF 211	55	162	130	25	20	43	19	68.6	71.4	27.8	M16	NA 211	F211	3.52
NAF 211-32	2											NA 211-32		3.72
NAF 211-33	2-1/16	6-3/8	5-1/8	63/64	25/32	1-11/16	3/4	2-45/64	2.811	1.094	5/8	NA 211-33		3.64
NAF 211-34	2-1/8											NA 211-34		3.57
NAF 211-35	2-3/16											NA 211-35		3.49
NAF 212	60	175	143	29	20	48	19	75.8	77.8	31	M16	NA 212	F212	4.62
NAF 212-36	2-1/4											NA 212-36		4.78
NAF 212-37	2-5/16	6-57/64	5-5/8	1-9/64	25/32	1-57/64	3/4	2-63/64	3.063	1.200	5/8	NA 212-37		4.69
NAF 212-38	2-3/8											NA 212-38		4.64
NAF 212-39	2-7/16											NA 212-39		4.51
NAF 213	65	187	149	30	22	50	19	81.6	85.7	34.1	M16	NA 213	F213	5.55
NAF 213-40	2-1/2	7-23/64	5-55/64	1-3/16	55/64	1-31/32	3/4	3-7/32	3.374	1.343	5/8	NA 213-40		5.65
NAF 213-41	2-9/16											NA 213-41		5.54
NAF 214	70	193	152	31	22	54	19	82.6	86.7	34.1	M16	NA 214	F214	6.35
NAF 214-42	2-3/8											NA 214-42		6.59
NAF 214-43	2-11/16	7-19/32	5-63/64	1-7/32	55/64	2-1/8	3/4	3-1/4	3.374	1.343	5/8	NA 214.43		6.48
NAF 214-44	2-3/4											NA 214-44		6.36
NAF 215	75	200	159	34	22	56	19	88.8	92.1	37.3	M16	NA 215	F215	7.54
NAF 215-45	2-13/16											NA 215-45		7.84
NAF 215-46	2-7/8	7-7/8	6-17/64	1-11/32	55/64	2-7/32	3/4	3-1/2	3.626	1.426	5/8	NA 215-46		7.71
NAF 215-47	2-15/16											NA 215-47		7.58
NAF 215-48	3											NA 215-48		7.44

## UCFX Series

## Flange Units

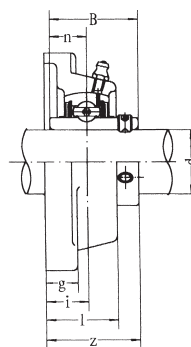
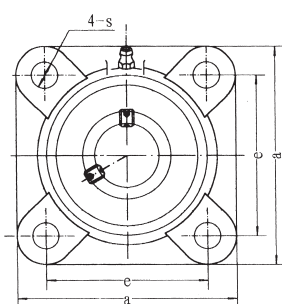


Bearing Unit / Insert

Unit No.	Dimensions <small>mm</small> <small>inch</small>										Bolt Size <small>mm</small> <small>inch</small>	Bearing No.	Housing No.	Weight (kg)
	d	a	e	i	g	l	s	z	B	n				
UCF X05	25	108	83	18	13	30	12	40.2	38.1	15.9	M10	UC X05	FX05	1.0
UCF X05-13	13/16											UC X05-13		
UCF X05-14	7/8											UC X05-14		
UCF X05-15	15/16	4-1/4	3-17/64	45/64	1/2	1-3/16	15/32	1-19/32	1.5000	0.626	3/8	UC X05-15		
UCF X05-16	1											UC X05-16		
UCF X06	30	117	92	19	14	34	16	44.4	42.9	17.5	M14	UC X06	FX06	1.7
UCF X06-17	1-1/16											UC X06-17		
UCF X06-18	1-1/8											UC X06-18		
UCF X06-19	1-3/16	4-39/64	3-5/8	3/4	9/16	1-11/32	5/8	1-3/4	1.6890	0.689	1/2	UC X06-19		
UCF X06-20	1-1/4											UC X06-20		
UCF X07	35	130	102	21	14	38	16	51.2	49.2	19	M14	UC X07	FX07	2.1
UCF X07-21	1-5/16											UC X07-21		
UCF X07-22	1-3/8	5-1/8	4-1/64	53/64	9/16	1-1/2	5/8	2-1/64	1.9370	0.748	1/2	UC X07-22		
UCF X07-23	1-7/16											UC X07-23		
UCF X08	40	137	105	22	14	40	19	52.2	49.2	19	M16	UC X08	FX08	2.4
UCF X08-24	1-1/2	5-13/32	4-9/64	55/64	9/16	1-9/16	3/4	2-1/64	1.9370	0.748	5/8	UC X08-24		
UCF X08-25	1-9/16											UC X08-25		
UCF X09	45	143	111	23	14	40	19	55.6	51.6	19	M16	UC X09	FX09	2.5
UCF X09-26	1-5/8											UC X09-26		
UCF X09-27	1-11/16	5-5/8	4-3/8	29/32	9/16	1-9/16	3/4	2-3/16	2.0315	0.748	5/8	UC X09-27		
UCF X09-28	1-3/4											UC X09-28		
UCF X09-29	1-13/16											UC X09-29		
UCF X10	50	162	130	26	20	44	19	59.4	55.6	22.2	M16	UC X10	FX10	3.9
UCF X10-30	1-7/8											UC X10-30		
UCF X10-31	1-15/16	6-3/8	5-1/8	1-1/32	25/32	1-23/32	3/4	2-11/32	2.1890	0.874	5/8	UC X10-31		
UCF X10-32	2											UC X10-32		
UCF X11	55	175	143	29	20	49	19	68.7	65.1	25.4	M16	UC X11	FX11	4.9
UCF X11-33	2-1/16											UC X11-33		
UCF X11-34	2-1/8											UC X11-34		
UCF X11-35	2-3/16	6-57/64	5-5/8	1-9/64	25/32	1-15/16	3/4	2-45/64	2.5630	1.000	5/8	UC X11-35		
UCF X11-36	2-1/4											UC X11-36		
UCF X11-37	2-5/16											UC X11-37		
UCF X12	60	187	149	34	21	59	19	73.7	65.1	25.4	M16	UC X12	FX12	5.2
UCF X12-38	2-3/8	7-23/64	5-55/64	1-11/32	13/16	2-5/16	3/4	2-29/32	2.5630	1.000	5/8	UC X12-38		
UCF X12-39	2-7/16											UC X12-39		
UCF X13	65	187	149	34	21	59	19	78.4	74.6	30.2	M16	UC X13	FX13	5.3
UCF X13-40	2-1/2	7-23/64	5-55/64	1-11/32	13/16	2-5/16	3/4	3-3/32	2.9370	1.189	5/8	UC X13-40		
UCF X13-41	2-9/16											UC X13-41		
UCF X14	70	197	152	37	24	60	23	81.5	77.8	33.3	M20	UC X14	FX14	7.3
UCF X14-42	2-5/8											UC X14-42		
UCF X14-43	2-11/16	7-3/4	5-63/64	1-29/64	15/16	2-3/8	29/32	3-13/64	3.0630	1.311	3/4	UC X14-43		
UCF X14-44	2-3/4											UC X14-44		
UCF X15	75	197	152	40	24	68	23	89.3	82.6	33.3	M20	UC X15	PX15	8.1
UCF X15-45	2-13/16											UC X15-45		
UCF X15-46	2-7/8	7-3/4	5-63/64	1-37/64	15/16	2-11/16	29/32	3-33/64	3.2520	1.311	3/4	UC X15-46		
UCF X15-47	2-15/16											UC X15-47		
UCF X15-48	3											UC X15-48		
UCF X16	80	214	171	40	24	70	23	91.6	85.7	34.1	M20	UC X16	PX16	9.9
UCF X16-49	3-1/16											UC X16-49		
UCF X16-50	3-1/8	8-7/16	6-47/64	1-37/64	15/16	2-3/4	29/32	3-39/64	3.3740	1.343	3/4	UC X16-50		
UCF X16-51	3-3/16											UC X16-51		
UCF X16-52	3-1/4											UC X16-52		
UCF X17	85	214	171	40	24	70	23	96.3	96	39.7	M20	UC X17	PX17	11
UCF X17-53	3-5/16	8-7/16	6-47/64	1-37/64	15/16	2-3/4	29/32	3-25/32	3.7795	1.563	3/4	UC X17-53		
UCF X17-55	3-7/16											UC X17-55		

## Flange Units

## UCF 3 Series



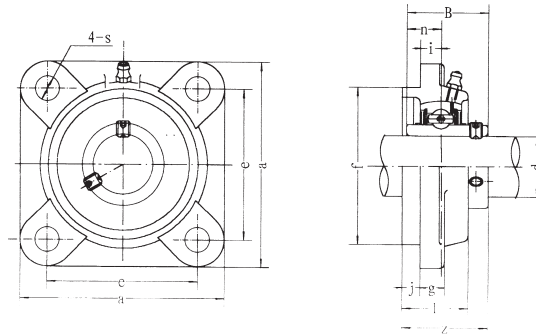
Bearing Unit / Insert

Unit No.	Dimensions <sup>mm</sup> inch										Bolt Size mm inch	Bearing No.	Housing No.	Weight (kg)
	d	a	e	i	g	l	s	z	B	n				
UCF 305	25	110	80	16	13	29	16	39	38	15	M14	UC 305	F305	1.1
UCF 305-13	13/16											UC 305-13		
UCF 305-14	7/8											UC 305-14		
UCF 305-15	15/16	4-11/32	3-5/32	5/8	1/2	1-5/32	5/8	1-17/32	1.4961	0.591	1/2	UC 305-15		
UCF 305-16	1											UC 305-16		
UCF 306	30	125	95	18	15	32	16	44	43	17	M14	UC 306	F306	1.6
UCF 306-17	1-1/16	4-29/32	3-37/64	45/64	19/32	1-1/4	5/8	1-47/64	1.6929	0.669	1/2	UC 306-17		
UCF 306-18	1-1/8											UC 306-18		
UCF 306-19	1-3/16											UC 306-19		
UCF 307	35	135	100	20	16	36	19	49	48	19	M16	UC 307	F307	2
UCF 307-20	1-1/4											UC 307-20		
UCF 307-21	1-5/16	5-5/16	3-15/16	25/32	5/8	1-13/32	3/4	1-59/64	1.8898	0.748	5/8	UC 307-21		
UCF 307-22	1-3/8											UC 307-22		
UCF 307-23	1-7/16											UC 307-23		
UCF 308	40	150	112	23	17	40	19	56	52	19	M16	UC 308	F308	2.7
UCF 308-24	1-1/2	5-29/32	4-13/32	29/32	21/32	1-9/16	3/4	2-13/64	2.0472	0.748	5/8	UC 308-24		
UCF 308-25	1-9/16											UC 308-25		
UCF 309	45	160	125	25	18	44	19	60	57	22	M16	UC 309	F209	3.4
UCF 309-26	1-5/8											UC 309-26		
UCF 309-27	1-11/16	6-5/16	4-59/64	63/64	23/32	1-23/32	3/4	2-23/64	2.2441	0.866	5/8	UC 309-27		
UCF 309-28	1-3/4											UC 309-28		
UCF 310	50	175	132	28	19	48	23	67	61	22	M20	UC 310	F310	4.5
UCF 310-29	1-13/16											UC 310-29		
UCF 310-30	1-7/8	6-7/8	5-13/64	1-7/64	3/4	1-7/8	29/32	2-41/64	2.4016	0.866	3/4	UC 310-30		
UCF 310-31	1-15/16											UC 310-31		
UCF 311	55	185	140	30	20	52	23	71	66	25	M20	UC 311	F311	5.5
UCF 311-32	2											UC 311-32		
UCF 311-33	2-1/16	7-9/32	5-33/64	1-3/16	29/32	2-1/16	29/32	2-51/64	2.5984	0.948	3/4	UC 311-33		
UCF 311-34	2-1/8											UC 311-34		
UCF 311-35	2-3/16											UC 311-35		
UCF 312	60	195	150	33	22	56	23	78	71	26	M20	UC 312	F312	6.5
UCF 312-36	2-1/4											UC 312-36		
UCF 312-37	2-5/16	7-11/16	5-29/32	1-19/64	7/8	2-7/32	29/32	3-5/64	1.024	1.024	3/4	UC 312-37		
UCF 312-38	2-3/8											UC 312-38		
UCF 312-39	2-7/16											UC 312-39		
UCF 313	65	208	166	33	22	58	23	78	75	30	M20	UC 313	F313	7.9
UCF 313-40	2-1/2	8-3/16	6-17/32	1-19/64	59/64	2-9/32	29/32	3-5/64	2.9528	1.818	3/4	UC 313-40		
UCF 313-41	2-9/16											UC 313-41		
UCF 314	70	226	178	36	25	61	25	81	78	33	M22	UC 314	F314	9.5
UCF 314-42	2-5/8											UC 314-42		
UCF 314-43	2-11/16	8-29/32	6-1/64	1-27/64	31/32	2-13/32	63/64	3-3/16	3.0708	1.299	7/8	UC 314-43		
UCP 314-44	2-3/4											UC 314-44		
UCF 315	75	236	184	39	25	66	25	89	82	32	M22	UC 315	F315	1.2
UCF 315-45	2-13/16											UC 315-45		
UCF 315-46	2-7/8											UC 315-46		
UCF 315-47	2-15/16	9-19/32	7-1/4	1-17/32	31/32	2-19/32	63/64	3-1/2	3.2283	1.260	7/8	UC 315-47		
UCF 315-48	3											UC 315-48		
UCF 316	80	250	196	38	27	68	31	90	86	34	M27	UC 316	F316	14
UCF 316-49	3-1/16											UC 316-49		
UCF 316-50	3-1/8	9-27/32	7-23/32	1-1/2	1-1/16	2-11/16	1-7/32	3-35/64	3.3858	1.339	1	UC 316-50		
UCF 316-51	3-3/16											UC 316-51		
UCF 317	85	260	204	44	27	74	31	100	96	40	M27	UC 317	F317	16
UCF 317-52	3-1/4											UC 317-52		
UCF 317-53	3-5/16	10-1/4	8-1/32	1-47/64	1-1/16	2-29/32	1-7/32	3-15/16	3.7795	1.575	1	UC 317-53		
UCF 317-55	3-7/16											UC 317-55		
UCF 318	90	280	216	44	30	76	35	100	96	40	M30	UC 318	F318	19
UCF 318-55	3-7/16											UC 318-55		
UCF 318-56	3-1/2	11-1/32	8-1/2	1-47/64	1-3/16	3	1-3/8	3-15/16	3.7795	1.575	1-1/8	UC 318-56		
UCF 319	95	290	228	59	30	94	35	121	103	41	M30	UC 319	F319	22
UCF 319-58	3-5/8											UC 319-58		
UCF 319-59	3-11/16	11-13/32	8-31/32	2-21/64	1-3/16	3-11/16	1-3/8	4-49/64	4.0551	1.614	1-1/8	UC 319-59		
UCF 319-60	3-3/4											UC 319-60		
UCF 320	100	310	242	59	32	94	38	125	108	42	M33	UC 320	F320	25.8
UCF 320-64	4	12-7/32	9-17/32	2-21/64	1-1/4	3-11/16	1-1/2	4-9/32	4.2519	1.6535	1-1/4	UC 320-64		



## UCFS 3 Series

## Flange Units

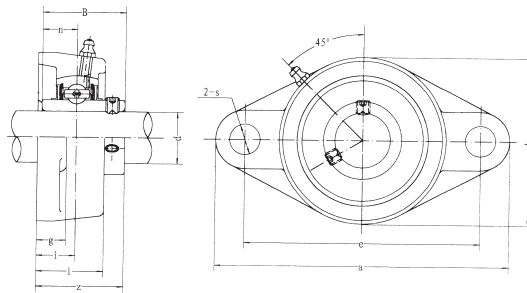


Bearing Unit / Insert

Unit No.	Dimensions <small>mm inch</small>												Bolt Size <small>mm inch</small>	Bearing No.	Housing No.	Weight (kg)
	d	a	e	i	S	j	k	g	f	z	B	n				
UCFS 305	25	110	80	9	16	7	13	29	80	39	38	15	M14	UC 305	FS305	1.3
UCFS 305-13	13/16													UC 305-13		
UCFS 305-14	7/8	4-11/32	3-5/32	23/64	5/8	9/32	1/2	1-9/64	3.1496	1-17/32	1.4961	0.591	1/2	UC 305-14		
UCFS 305-15	15/16													UC 305-15		
UCFS 305-16	1													UC 305-16		
UCFS 306	30	125	95	10	16	8	15	32	90	44	43	17	M14	UC 306	FS306	1.9
UCFS 306-17	1-1/16													UC 306-17		
UCFS 306-18	1-1/8	4-29/32	3-47/64	25/64	5/8	5/16	19/32	1-17/64	3.5433	4-47/64	1.6929	0.669	1/2	UC 306-18		
UCFS 306-19	1-3/16													UC 306-19		
UCFS 307	35	135	100	11	19	9	16	36	100	49	48	19	M16	UC 307	FS307	2.4
UCFS 307-20	1-1/4													UC 307-20		
UCFS 307-21	1-5/16	5-5/16	3-15/16	7/16	3/4	23/64	5/8	1-13/32	3.9730	1-59/64	1.8898	0.748	5/8	UC 307-21		
UCFS 307-22	1-3/8													UC 307-22		
UCFS 307-23	1-7/16													UC 307-23		
UCFS 308	40	150	112	13	19	10	17	40	115	56	52	19	M16	UC 308	FS308	3.3
UCFS 308-24	1-1/2	5-29/32	4-13/32	33/64	3/4	25/64	21/32	1-9/16	4.5276	2-13/64	2.0472	0.748	5/8	UC 308-24		
UCFS 308-25	1-9/16													UC 308-25		
UCFS 309	45	160	125	14	19	11	18	44	125	60	57	22	M16	UC 309	FS309	4.0
UCFS 309-26	1-5/8													UC 309-26		
UCFS 309-27	1-11/16	6-5/16	4-59/64	35/64	3/4	7/16	23/32	1-47/64	4.9213	2-23/64	2.2441	0.866	5/8	UC 309-27		
UCFS 309-28	1-3/4													UC 309-28		
UCFS 310	50	175	132	16	23	12	19	48	140	67	61	22	M20	UC 310	FS310	5.3
UCFS 310-29	1-13/16													UC 310-29		
UCFS 310-30	1-7/8	6-7/8	5-13/64	5/8	29/32	15/32	3/4	1-57/64	5.5118	2-41/64	2.4016	0.866	3/4	UC 310-30		
UCFS 310-31	1-15/16													UC 310-31		
UCFS 311	55	185	140	17	23	13	20	52	150	71	66	25	M20	UC 311	FS311	6.2
UCFS 311-32	2													UC 311-32		
UCFS 311-33	2-1/16	7-9/32	5-33/64	43/64	29/32	33/64	25/32	2-3/64	5.9055	2-51/64	2.5984	0.984	3/4	UC 311-33		
UCFS 311-34	2-1/8													UC 311-34		
UCFS 311-35	2-3/16													UC 311-35		
UCFS 312	60	195	150	19	23	14	22	56	160	78	71	26	M20	UC 312	FX312	7.2
UCFS 312-36	2-1/4													UC 312-36		
UCFS 312-37	2-5/16	7-11/16	5-29/32	3/4	29/32	35/64	7/8	2-7/32	6.2922	3-5/64	2.7953	1.024	3/4	UC 312-37		
UCFS 312-38	2-3/8													UC 312-38		
UCFS 312-39	2-7/16													UC 312-39		
UCFS 313	65	208	166	15	23	18	22	58	175	78	75	30	M20	UC 313	FX313	8.9
UCFS 313-40	2-1/2	8-3/16	6-17/32	19/32	29/32	45/64	55/64	2-9/32	6.8898	3-5/64	2.9528	1.181	3/4	UC 313-40		
UCFS 313-41	2-9/16													UC 313-41		
UCFS 314	70	226	178	18	25	18	25	61	185	81	78	33	M22	UC 314	FS314	11
UCFS 314-42	2-5/8													UC 314-42		
UCFS 314-43	2-11/16	8-29/32	6-1/64	45/64	63/64	45/64	31/32	2-13/32	7.2835	3-3/16	3.0708	1.299	7/8	UC 314-43		
UCFS 314-44	2-3/4													UC 314-44		

## Flange Units

## UCFL 2 Series



Bearing Unit / Insert

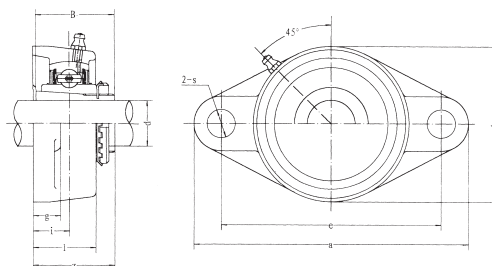
Unit No.	Dimensions mm inch											Bolt Size mm inch	Bearing No.	Housing No.	Weight (kg)
	d	a	e	i	g	l	S	b	z	B	n				
* UCFL 201	12	113	90	15	11	25.5	12	60	33.3	31	12.7	M10	UC 201	FL204	0.45
* UCFL 201-8	3/4	4-7/16	3-35/64	19/32	7/16	1	15/32	2-3/8	1-5/16	1.2205	0.500	3/8	UC 201-8		0.44
* UCFL 202	15	113	90	15	11	25.5	12	60	33.3	31	12.7	M10	UC 202	FL204	0.44
* UCFL 202-9	9/16	4-7/16	3-35/64	19/32	7/16	1	15/32	2-3/8	1-5/16	1.2205	0.500	3/8	UC 202-9		0.44
* UCFL 202-10	5/8												UC 202-10		0.44
* UCFL 203	17	113	90	15	11	25.5	12	60	33.3	31	12.7	M10	UC 203	FL204	0.43
* UCFL 203-11	1 1/16	4-7/16	3-35/64	19/32	7/16	1	15/32	2-3/8	1-5/16	1.2205	0.500	3/8	UC 203-11		0.42
* UCFL 204	20	113	90	15	11	25.5	12	60	33.3	31	12.7	M10	UC 204	FL204	0.41
* UCFL 204-12	3/4	4-7/16	3-35/64	19/32	7/16	1	15/32	2-3/8	1-5/16	1.2205	0.500	3/8	UC 204-12		0.41
* UCFL 205	25	130	99	16	13	27	16	68	35.8	34.1	14.3	M14	UC 205	FL205	0.58
* UCFL 205-13	1 3/16												UC 205-13		0.62
* UCFL 205-14	7/8	5-1/8	3-57/64	5/8	1/2	1-1/16	5/8	2-11/16	1-13/32	1.3425	0.563	1/2	UC 205-14		0.61
* UCFL 205-15	1 5/16												UC 205-15		0.59
* UCFL 205-16	1												UC 205-16		0.58
* UCFL 206	30	148	117	18	13	31	16	80	40.2	38.1	15.9	M14	UC 206	FL206	0.86
* UCFL 206-17	1-1/16												UC 206-17		0.89
* UCFL 206-18	1-1/8	5-13/16	4-39/64	45/64	1/2	1-7/32	5/8	3-5/32	1-19/32	1.5000	0.626	1/2	UC 206-18		0.88
* UCFL 206-19	1-3/16												UC 206-19		0.86
* UCFL 206-20	1-1/4												UC 206-20		0.85
* UCFL 207	35	161	130	19	14	34	16	90	44.4	42.9	17.5	M14	UC 207	FL207	1.08
* UCFL 207-20	1-1/4												UC 207-20		1.14
* UCFL 207-21	1-5/16	6-11/32	5-1/8	3/4	35/64	1-13/32	5/8	3-35/64	1-3/4	1.6890	0.689	1/2	UC 207-21		1.11
* UCFL 207-22	1-3/8												UC 207-22		1.08
* UCFL 207-23	1-7/16												UC 207-23		1.05
* UCFL 208	40	175	144	21	14	36	16	100	51.2	49.2	19	M14	UC 208	FL208	1.44
* UCFL 208-24	1-1/2	6-7/8	5-43/64	53/64	35/64	1-13/32	5/8	3-15/16	2-1/64	1.9370	0.748	1/2	UC 208-24		1.48
* UCFL 208-25	1-9/16												UC 208-25		1.45
* UCFL 209	45	188	148	22	15	38	19	108	52.2	49.2	19	M16	UC 209	FL209	1.74
* UCFL 209-26	1-5/8												UC 209-26		1.84
* UCFL 209-27	1-11/16	7-13/32	5-53/64	55/64	19/32	1-1/2	3/4	4-1/4	2-1/16	1.9370	0.748	5/8	UC 209-27		1.80
* UCFL 209-28	1-3/4												UC 209-28		1.76
* UCFL 210	50	197	157	22	15	40	19	115	54.6	51.6	19	M16	UC 210	FL210	2.10
* UCFL 210-29	1-13/16												UC 210-29		2.22
* UCFL 210-30	1-7/8	7-3/4	6-3/16	55/64	19/32	1-37/64	3/4	4-17/32	2-5/32	2.0315	0.748	5/8	UC 210-30		2.17
* UCFL 210-31	1-15/16												UC 210-31		2.12
* UCFL 210-32	2												UC 210-32		2.08
* UCFL 211	55	224	184	25	18	43	19	130	58.4	55.6	22.2	M16	UC 211	FL211	2.91
* UCFL 211-32	2												UC 211-32		3.06
* UCFL 211-33	2-1/16	8-13/16	7-1/4	63/64	23/32	1-11/16	3/4	5-1/8	2-5/16	2.1890	0.874	5/8	UC 211-33		3.00
* UCFL 211-34	2-1/8												UC 211-34		2.95
* UCFL 211-35	2-3/16												UC 211-35		2.89
* UCFL 212	60	250	202	29	18	48	23	140	68.7	65.1	25.4	M20	UC 212	FL212	3.74
* UCFL 212-36	2-1/4												UC 212-36		3.87
* UCFL 212-37	2-5/16	9-27/32	7-61/64	1-9/64	23/32	1-7/8	29/32	5-1/2	2-23/32	2.5630	1.000	3/4	UC 212-37		3.79
* UCFL 212-38	2-3/8												UC 212-38		3.72
* UCFL 212-39	2-7/16												UC 212-39		3.65
UCFL 213	65	258	210	30	22	50	23	155	69.7	65.1	25.4	M20	UC 213	FL213	4.57
UCFL 213-40	2-1/2	10-5/32	8-17/64	1-3/16	7/8	1-31/32	29/32	6-3/32	2-3/4	2.5630	1.000	3/4	UC 213-40		4.66
UCFL 213-41	2-9/16												UC 213-41		4.57
UCFL 214	70	265	216	31	22	54	23	160	75.4	74.6	30.2	M20	UC 214	FL214	5.11
UCFL 214-42	2-5/8												UC 214-42		5.32
UCFL 214-43	2-11/16	10-7/16	8-1/2	1-7/32	7/8	2-1/8	29/32	6-5/16	2-31/32	2.9370	1.189	3/4	UC 214-43		5.22
UCFL 214-44	2-3/4												UC 214-44		5.12
UCFL 215	75	275	225	34	22	56	23	165	78.5	77.8	33.3	M20	UC 215	FL215	5.37
UCFL 215-45	2-13/16												UC 215-45		5.62
UCFL 215-46	2-7/8	10-13/16	8-55/64	1-11/32	7/8	2-7/32	29/32	6-1/2	3-3/32	3.0630	1.311	3/4	UC 215-46		5.51
UCFL 215-47	2-15/16												UC 215-47		5.40
UCFL 215-48	3												UC 215-48		5.28
UCFL 216	80	290	233	34	22	58	25	180	83.3	82.6	33.3	M22	UC 216	FL216	7.20
UCFL 216-49	3-1/16												UC 216-49		7.38
UCFL 216-50	3-1/8	11-13/32	9-11/64	1-11/32	7/8	2-9/32	63/64	7-3/32	3-9/32	3.2520	1.311	7/8	UC 216-50		7.25
UCFL 216-51	3-1/16												UC 216-51		7.12
UCFL 217	85	305	248	36	24	63	25	190	87.6	85.7	34.1	M22	UC 217	FL217	8.61
UCFL 217-52	3-1/4												UC 217-52		8.83
UCFL 217-53	3-5/16	12	9-49/64	1-27/64	15/16	2-15/32	63/64	7-15/32	3-7/16	3.3740	1.343	7/8	UC 217-53		8.69
UCFL 217-55	3-7/16												UC 217-55		8.40
UCFL 218	90	320	265	40	24	68	25	205	96.3	96	39.7	M22	UC 218	FL218	10.51
UCFL 218-56	3-1/2	12-19/32	10-7/16	1-37/64	15/16	2-11/16	63/64	8-1/16	3-25/32	3.7795	1.5630	7/8	UC 218-56		10.62

\* Add SS in front of the Unit No for Stainless Steel Bearing and Housing with plastic cover (Eg. SS UCFL 205)  
 \* Add SP in front of the Unit No for Stainless Steel Bearing with Thermo-Plastic Housing (Eg. SP UCFL 205)

Add C as suffix for both side Open cover (Eg. SP UCFL 205 C)  
 or CD as suffix for one side Open & one side Closed cover (Eg. SP UCFL 205 CD)

## UKFL 2 Series

## Flange Units (Adapter mounted)



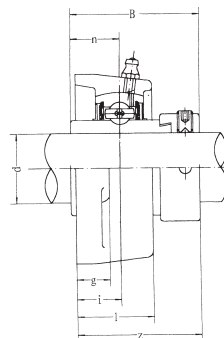
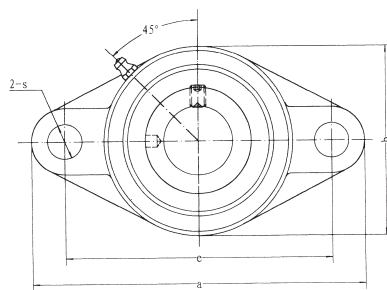
Bearing Unit / Insert

Unit No.	Dimensions <small>mm inch</small>										Bolt Size <small>mm inch</small>	Bearing No.	No.	Housing No.	Weight (kg)
	d	a	e	i	g	l	S	b	z	B					
UKFL 205	20 3/4	130 5-1/8	99 3-57/64	16 5/8	13 1/2	27 1-1/16	16 5/8	68 2-11/16	35.5 1-25/64	35 1.378	M14 1/2	UK 205	H305 HE305	FL205	0.63
UKFL 206	25 7/8 1	148 5-13/16	117 4-39/64	18 45/64	13 1/2	31 1-7/32	16 5/8	80 3-5/32	39 1-17/32	38 1.496	M14 1/2	UK 206	H306 HS306 HE306	FL206	0.90
UKFL 207	30 1-1/8	161 6-11/32	130 5-1/8	19 3/4	14 35/64	34 1-11/32	16 5/8	90 3-35/64	42.5 1-43/64	43 1.693	M14 1/2	UK 207	H307 HS307	FL207	1.17
UKFL 208	35 1-1/4 1-3/8	175 6-7/8	144 5-43/64	21 53/64	14 35/64	36 1-13/32	16 5/8	100 3-15/16	46.5 1-53/64	46 1.811	M14 1/2	UK 208	H308 HE308 H309	FL208	1.54
UKFL 209	40 1-7/16 1-1/2 1-5/8	188 7-13/32	148 5-53/64	22 55/64	15 19/32	38 1-1/2	19 3/4	108 4-1/4	48.5 1-29/32	50 1.969	M16 5/8	UK 209	HA309 HE309 HS309 H310	FL209	1.89
UKFL 210	45 1-5/8 1-11/16 1-3/4	197 7-3/4	157 6-3/16	22 55/64	15 19/32	40 1-37/64	19 3/4	115 4-17/32	50 1-31/32	55 2.165	M16 5/8	UK 210	H310 HS310 HA310 HE310	FL210	2.27
UKFL 211	50 1-7/8 1-15/16 2	224 8-13/16	184 7-1/4	25 63/64	18 23/32	43 1-11/16	19 3/4	130 5-1/8	54.5 2-9/64	59 2.323	M16 5/8	UK 211	H311 HS311 HA311 HE311	FL211	3.06
UKFL 212	55 2-1/8	250 9-17/32	202 7-61/64	29 1-9/64	18 23/32	48 1-7/8	23 29/32	140 5-1/2	61 2-13/32	62 2.441	M20 3/4	UK 212	H312 HS312	FL212	3.79
UKFL 213	60 2-3/16 2-1/4 2-3/8	258 10-5/32	210 8-17/64	30 1-3/16	22 7/8	50 1-31/32	23 29/32	155 6-3/32	64 2-33/64	65 2.559	M20 3/4	UK 213	H313 HA313 HE313 HS313	FL213	4.48
UKFL 215	65 2-7/16 2-1/2	275 10-13/16	225 8-55/64	34 1-11/32	22 7/8	56 2-7/32	23 29/32	165 6-1/2	71 2-51/64	73 2.874	M20 3/4	UK 215	H315 HA315 HE315	FL215	5.48
UKFL 216	70 2-11/16 2-3/4	290 11-13/32	233 9-11/64	34 1-11/32	22 7/8	58 2-9/32	25 63/64	180 7-3/32	73.5 2-57/64	78 3.071	M22 7/8	UK 216	H316 HA316 HE316	FL216	7.46
UKFL 217	75 2-15/16 3	305 12	248 9-46/64	36 1-27/64	24 15/16	63 2-15/32	25 63/64	190 7-15/32	77 3-1/32	82 3.228	M22 7/8	UK 217	H317 HA317 HE317	FL217	9.03
UKFL 218	80 3-3/16	320 12-19/32	265 10-7/16	40 1-37/64	24 15/16	68 2-11/16	25 63/64	205 8-1/16	81.5 3-13/64	86 3.386	M22 7/8	UK 218	H318 HA318	FL218	10.89

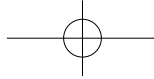
## Flange Units (with Eccentric Locking Collar)

## NAFL 2 Series

Bearing Unit / Insert

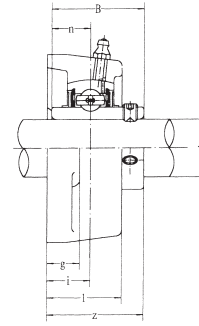
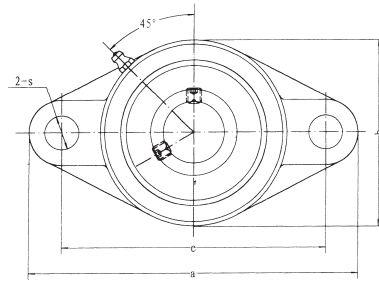


Unit No.	Dimensions <small>mm inch</small>											Bolt Size <small>mm inch</small>	Bearing No.	Housing No.	Weight (kg)
	d	a	e	i	g	l	s	b	z	B	n				
NAFL 204	20	113	90	15	11	25.5	12	60	41.6	43.7	17.1	M10	NA 204	FL204	0.48
NAFL 204-12	3/4	4-7/16	3-35/64	19/32	7/16	1	15/32	2-3/8	1-41/64	1.720	0.673	3/8	NA 204-12		0.48
NAFL 205	25	130	99	16	13	27	16	68	42.9	44.4	17.5	M14	NA 205	FL205	0.65
NAFL 205-13	13/16												NA 205-13		0.70
NAFL 205-14	7/8	5-1/8	3-57/64	5/8	1/2	1-1/16	5/8	2-11/16	1-11/16	1.748	0.689	1/2	NA 205-14		0.69
NAFL 205-15	15/16												NA 205-15		0.67
NAFL 205-16	1												NA 205-16		0.65
NAFL 206	30	148	117	18	13	31	16	80	48.1	48.4	18.3	M14	NA 206	FL206	0.99
NAFL 206-17	1-1/16												NA 206-17		1.04
NAFL 206-18	1-3/8	5-13/16	4-39/64	45/64	1/2	1-7/32	5/8	3-5/32	1-57/64	1.906	0.720	1/2	NA 206-18		1.01
NAFL 206-19	1-3/16												NA 206-19		0.99
NAFL 206-20	1-1/4												NA 206-20		0.96
NAFL 207	35	161	130	19	14	34	16	90	51.3	51.1	18.8	M14	NA 207	FL207	1.20
NAFL 207-20	1-1/4												NA 207-20		1.27
NAFL 207-21	1-5/16	6-11/32	5-1/8	3/4	35/64	1-11/32	5/8	3-35/64	2-1/64	2.012	0.740	1/2	NA 207-21		1.23
NAFL 207-22	1-3/8												NA 207-22		1.20
NAFL 207-23	1-7/16												NA 207-23		1.17
NAFL 208	40	175	144	21	14	36	16	100	55.9	56.3	21.4	M14	NA 208	FL208	1.59
NAFL 208-24	1-1/2	6-7/8	5-43/64	53/64	35/64	1-18/32	5/8	3-15/16	2-13/64	2.217	0.843	1/2	NA 208-24		1.64
NAFL 208-25	1-9/16												NA 208-25		1.60
NAFL 209	45	188	148	22	15	38	19	108	56.9	56.3	21.4	M16	NA 209	FL209	1.91
NAFL 209-26	1-5/8												NA 209-26		2.02
NAFL 209-27	1-11/16	7-13/32	5-53/64	55/64	19/32	1-1/2	3/4	4-1/4	2-15/64	2.217	0.843	5/8	NA 209-27		1.97
NAFL 209-28	1-3/4												NA 209-28		1.93
NAFL 210	50	197	157	22	15	40	19	115	60.1	62.7	24.6	M16	NA 210	FL210	2.29
NAFL 210-29	1-13/16												NA 210-29		2.44
NAFL 210-30	1-7/8	7-3/4	6-3/16	55/64	19/32	1-37/64	3/4	4-17/32	2-23/64	2.469	0.969	5/8	NA 210-30		2.38
NAFL 210-31	1-15/16												NA 210-31		2.32
NAFL 210-32	2												NA 210-32		2.26
NAFL 211	55	224	184	25	18	43	19	130	68.6	71.4	27.8	M16	NA 211	FL211	3.12
NAFL 211-32	2												NA 211-32		3.32
NAFL 211-33	2-1/16	8-13/16	7-1/4	63/64	23/32	1-11/16	3/4	5-1/8	2-45/64	2.811	1.094	5/8	NA 211-33		3.24
NAFL 211-34	2-1/8												NA 211-34		3.17
NAFL 211-35	2-3/16												NA 211-35		3.09
NAFL 212	60	250	202	29	18	48	23	140	75.8	77.8	31	M20	NA 212	FL212	4.08
NAFL 212-36	2-4/1												NA 212-36		4.24
NAFL 212-37	2-5/16	9-27/32	7-61/64	1-9/64	23/32	1-7/8	29/32	5-1/2	2-63/64	3.063	1.220	3/4	NA 212-37		4.15
NAFL 212-38	2-3/8												NA 212-38		4.10
NAFL 212-39	2-7/16												NA 212-39		3.97
NAFL 213	65	258	210	30	22	50	23	155	81.6	85.7	34.1	M20	NA 213	FL213	5.13
NAFL 213-40	2-1/2												NA 213-40		5.23
NAFL 213-41	2-9/16	10-5/32	8-17/64	1-3/16	7/8	1-31/32	29/32	6-3/32	3-7/32	3.374	1.343	3/4	NA 213-41		5.12
NAFL 214	70	265	216	31	22	54	23	160	82.6	85.7	34.1	M20	NA 214	FL214	5.61
NAFL 214-42	2-3/8												NA 214-42		5.85
NAFL 214-43	2-3/4	10-7/16	8-1/2	1-7/32	7/8	2-1/8	29/32	6-5/16	3-1/4	3.374	1.343	3/4	NA 214-43		5.12
NAFL 214-44	2-3/4												NA 214-44		5.62
NAFL 215	75	275	225	34	22	56	23	165	88.8	92.1	37.3	M20	NA 215	FL215	6.00
NAFL 215-45	2-13/16												NA 215-45		6.30
NAFL 214-46	2-7/8	10-13/16	8-55/64	1-11/32	7/8	2-7/32	29/32	6-1/2	3-1/2	3.626	1.426	3/4	NA 215-46		6.17
NAFL 214-47	2-15/16												NA 215-47		6.04
NAFL 214-48	3												NA 215-48		5.90



## UCFLX Series

## Flange Units

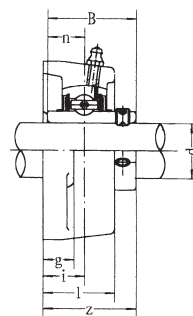
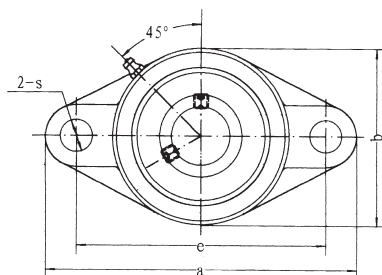


Bearing Unit / Insert

Unit No.	Dimensions <small>mm inch</small>											Bolt Size mm inch	Bearing No.	Housing No.	Weight (kg)
	d	a	e	i	g	l	s	b	z	B	n				
UCFL X05	25	141	117	18	13	30	12	83	40.2	38.1	15.9	M10	UC X05	FLX05	1.0
UCFL X05-13	13/16												UC X05-13		
UCFL X05-14	7/8	5-9/16	4-39/64	45/64	1/2	1-3/16	15/32	3-9/32	1-37/64	1.5000	0.626	3/8	UC X05-14		
UCFL X05-15	15/16												UC X05-15		
UCFL X05-16	1												UC X05-16		
UCFL X06	30	156	130	19	15	34	16	95	44.4	42.9	17.5	M14	UC X06	FLX06	1.5
UCFL X06-17	1-1/16												UC X06-17		
UCFL X06-18	1-1/8	6-5/32	5-1/8	3/4	19/32	1-11/32	5/8	3-3/4	1-3/4	1.6890	0.689	1/2	UC X06-18		
UCFL X06-19	1-3/16												UC X06-19		
UCFL X06-20	1-1/4												UC X06-20		
UCFL X07	35	171	144	21	16	38	16	105	51.2	49.2	19	M14	UC X07	FLX07	2.0
UCFL X07-21	1-5/16												UC X07-21		
UCFL X07-22	1-3/8	6-23/32	5-43/64	53/64	5/8	1-1/2	5/8	4-1/8	2-1/64	1.9370	0.748	1/2	UC X07-22		
UCFL X07-23	1-7/16												UC X07-23		
UCFL X08	40	179	148	22	16	40	16	111	52.2	49.2	19	M14	UC X08	FLX08	2.2
UCFL X08-24	1-1/2	7-1/16	5-53/64	53/64	5/8	1-9/16	5/8	4-3/8	2-1/16	1.9370	0.748	1/2	UC X08-24		
UCFL X08-25	1-9/16												UC X08-25		
UCFL X09	45	189	157	23	16	40	16	116	55.6	51.6	19	M14	UC X09	FLX09	2.4
UCFL X09-26	1-5/8												UC X09-26		
UCFL X09-27	1-11/16	7-7/16	6-3/16	29/32	5/8	1-37/64	5/8	4-9/16	2-3/16	2.0315	0.748	1/2	UC X09-27		
UCFL X09-28	1-3/4												UC X09-28		
UCFL X09-29	1-13/16												UC X09-29		
UCFL X10	50	216	184	26	18	44	19	133	59.4	55.6	22.2	M16	UC X10	FLX10	3.4
UCFL X10-30	1-7/8												UC X10-30		
UCFL X10-31	1-15/16	8-1/2	7-1/4	1-1/32	23/32	1-23/32	3/4	5-1/4	2-11/32	2.1890	0.874	5/8	UC X10-31		
UCFL X10-32	2												UC X11-32		

## Flange Units

## UCFL 3 Series

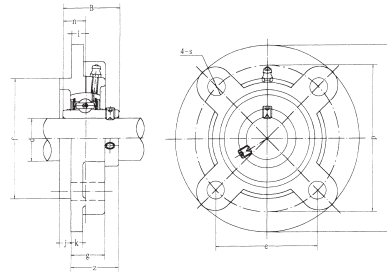


Bearing Unit / Insert

Unit No.	Dimensions <small>mm inch</small>											Bolt Size <small>mm inch</small>	Bearing No.	Housing No.	Weight (kg)
	d	a	e	i	g	l	s	b	z	B	n				
UCFL 305	25	150	113	16	13	29	19	80	39	38	15	M16	UC 305	FL305	1.1
UCFL 305-13	13/16												UC 305-13		
UCFL 305-14	7/8	5-29/32	4-7/16	5/8	1/2	1-5/32	3/4	3-5/32	1-17/32	1.4961	0.591	5/8	UC 305-14		
UCFL 305-15	15/16												UC 305-15		
UCFL 305-16	1												UC 305-16		
UCFL 306	30	180	134	18	15	32	23	90	44	43	17	M20	UC 306	FL306	1.5
UCFL 306-17	1-1/16												UC 306-17		
UCFL 306-18	1-1/8	7-3/32	5-9/32	45/64	19/32	1-1/4	29/32	3-17/32	1-47/64	1.6929	0.669	3/4	UC 306-18		
UCFL 306-19	1-3/16												UC 306-19		
UCFL 307	35	185	141	20	16	36	23	100	49	48	19	M20	UC 307	FL307	1.9
UCFL 307-20	1-1/4												UC 307-20		
UCFL 307-21	1-5/16	7-9/32	5-35/64	25/32	5/8	1-13/32	29/32	3-15/16	1-59/64	1.8898	0.748	3/4	UC 307-21		
UCFL 307-22	1-3/8												UC 307-22		
UCFL 307-23	1-7/16												UC 307-23		
UCFL 308	40	200	158	23	17	40	23	112	56	52	19	M20	UC 308	FL308	2.5
UCFL 308-24	1-1/2	7-7/8	5-7/32	29/32	21/32	1-9/16	29/32	4-13/32	1-13/64	2.0472	0.748	3/4	UC 308-24		
UCFL 308-25	1-9/16												UC 308-25		
UCFL 309	45	230	177	25	18	44	25	125	60	57	22	M22	UC 309	FL309	3.4
UCFL 309-26	1-5/8												UC 309-26		
UCFL 309-27	1-11/16	9-1/16	6-31/32	63/64	23/32	1-23/32	63/64	4-29/32	2-23/64	2.2441	0.866	7/8	UC 309-27		
UCFL 309-28	1-3/4												UC 309-28		
UCFL 310	50	240	187	28	19	48	25	140	67	61	22	M22	UC 310	FL310	4.4
UCFL 310-29	1-13/16												UC 310-29		
UCFL 310-30	1-7/8	9-7/16	7-23/64	1-7/64	3/4	1-7/8	63/64	5-1/2	2-41/64	2.4016	0.866	7/8	UC 310-30		
UCFL 310-31	1-15/16												UC 310-31		
UCFL 311	55	250	198	30	20	52	25	150	71	66	25	M22	UC 311	FL311	5.1
UCFL 311-32	2												UC 311-32		
UCFL 311-33	2-1/16												UC 311-33		
UCFL 311-34	2-1/8	9-27/32	7-51/64	1-3/16	25/32	2-1/16	63/64	5-29/32	2-51/64	2.5984	0.948	7/8	UC 311-34		
UCFL 311-35	2-3/16												UC 311-35		
UCFL 312	60	270	212	33	22	56	31	160	78	71	26	M27	UC 312	FL312	6.1
UCFL 312-36	2-1/4												UC 312-36		
UCFL 312-37	2-5/16	10-5/8	8-11/32	1-19/64	7/8	2-7/32	1-7/32	6-5/64	3-5/64	2.9753	1.024	1	UC 312-37		
UCFL 312-38	2-3/8												UC 312-38		
UCFL 312-39	2-7/16												UC 312-39		
UCFL 313	65	295	240	33	25	58	31	175	78	75	30	M27	UC 313	FL313	7.8
UCFL 313-40	2-1/2	11-5/8	9-29/64	1-19/64	31/32	2-9/32	1-7/32	6-7/8	3-5/64	2.9528	1.181	1	UC 313-40		
UCFL 313-41	2-9/16												UC 313-41		
UCFL 314	70	315	250	36	28	61	35	185	81	78	33	M20	UC 314	FL314	9.0
UCFL 314-42	2-5/8												UC 314-42		
UCFL 314-43	2-11/16	12-13/32	9-27/32	1-27/64	1-3/32	2-13/32	1-3/8	7-9/32	3-3/16	3.0708	1.299	1-1/8	UC 314-43		
UCFL 314-44	2-3/4												UC 314-44		
UCFL 315	75	320	260	39	30	66	35	195	89	82	32	M30	UC 315	FL315	10
UCFL 315-45	2-13/16												UC 315-45		
UCFL 315-46	2-7/8	12-19/32	10-15/64	1-17/32	1-3/16	2-19/32	1-3/8	7-11/16	3-1/2	3.2283	1.260	1-1/8	UC 315-46		
UCFL 315-47	2-15/16												UC 315-47		
UCFL 315-48	3												UC 315-48		
UCFL 316	80	355	285	38	32	68	38	210	90	86	34	M33	UC 316	FL316	13
UCFL 316-49	3-1/16												UC 316-49		
UCFL 316-50	3-1/8	13-31/32	11-7/32	1-1/2	1-1/4	2-11/16	1-1/2	8-9/32	3-35/64	3.3858	1.339	1-1/4	UC 316-50		
UCFL 316-51	3-3/16												UC 316-51		
UCFL 317	85	370	300	44	32	74	38	220	100	96	40	M33	UC 317	FL317	15
UCFL 317-52	3-1/4												UC 317-52		
UCFL 317-53	3-5/16	14-9/16	11-13/14	1-47/64	1-1/4	2-29/32	1-1/2	8-21/32	3-15/16	3.7795	1.575	1-1/4	UC 317-53		
UCFL 317-55	3-7/16												UC 317-55		
UCFL 318	90	385	315	44	36	76	38	235	100	96	40	M33	UC 318	FL318	18
UCFL 318-55	3-7/16	15-5/32	12-13/32	1-47/64	1-13/32	3	1-1/2	9-1/4	3-15/16	3.7795	1.575	1-1/4	UC 318-55		
UCFL 318-56	3-1/2												UC 318-56		
UCFL 319	95	405	330	59	40	94	41	250	121	103	41	M36	UC 319	FL319	22
UCFL 319-58	3-5/8												UC 319-58		
UCFL 319-59	3-11/16	15-15/16	12-63/64	2-21/64	1-9/16	3-11/16	1-39/64	9-27/32	4-49/64	4.0551	1.614	1-3/8	UC 319-59		
UCFL 319-60	3-3/4												UC 319-60		

## UCFC 2 Series

## Flange Units

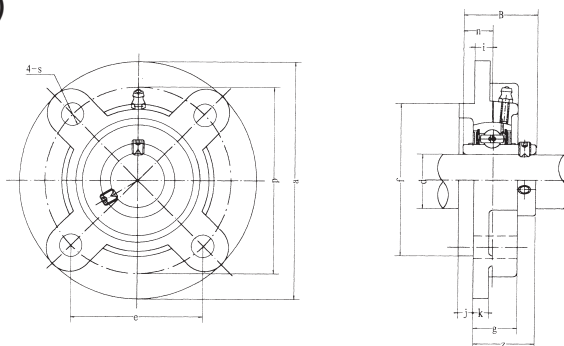


Unit No.	Dimensions <small>mm inch</small>													Bolt Size <small>mm inch</small>	Bearing No.	Housing No.	Weight (kg)
	d	a	p	e	i	S	j	k	g	f	z	B	n				
UCFC 201 UCFC 201-8	12 3/4	100 3-15/16	78 3-5/64	55.1 2-11/64	10 25/64	12 15/32	5 13/64	7 9/32	20.5 13/16	62 2.4409	28.3 1-1/8	31 1.2205	12.7 0.500	M10 3/8	UC 201 UC 201-8	FC204	0.73 0.72
UCFC 202 UCFC 202-9 UCFC 202-10	15 9/16 5/8	100 3-15/16	78 3-5/64	55.1 2-11/64	10 25/64	12 15/32	5 13/64	7 9/32	20.5 13/16	62 2.4409	28.3 1-1/8	31 1.2205	12.7 0.500	M10 3/8	UC 202 UC 202-9 UC 202-10	FC204	0.72 0.72 0.72
UCFC 203 UCFC 203-11	17 11/16	100 3-15/16	78 3-5/64	55.1 2-11/64	10 25/64	12 15/32	5 13/64	7 9/32	20.5 13/16	62 2.4409	28.3 1-1/8	31 1.2205	12.7 0.500	M10 3/8	UC 203 UC 203-11	FC204	0.71 0.70
UCFC 204 UCFC 204-12	20 3/4	100 3-15/16	78 3-5/64	55.1 2-11/64	10 25/64	12 15/32	5 13/64	7 9/32	20.5 13/16	62 2.4409	28.3 1-1/8	31 1.2205	12.7 0.500	M10 3/8	UC 204 UC 204-12	FC204	0.69 0.69
UCFC 205 UCFC 205-13 UCFC 205-14 UCFC 205-15 UCFC 205-16	25 13/16 7/8 15/16 1	115 4-17/32	90 3-35/64	63.6 2-1/12	10 25/64	12 15/32	6 15/64	7 9/32	21 53/64	70 2.7559	29.8 1-11/64	34.1 1.3425	14.3 0.563	M10 3/8	UC 205 UC 205-13 UC 205-14 UC 205-15 UC 205-16	FC205	1.00 1.04 1.03 1.01 1.00
UCFC 206 UCFC 206-17 UCFC 206-18 UCFC 206-19 UCFC 206-20	30 1-1/16 1-1/8 1-3/16 1-1/4	125 4-59/64	100 3-15/16	70.7 2-25/32	10 25/64	12 15/32	8 5/16	8 5/16	23 29/32	80 3.1496	32.2 1-17/64	38.1 1.5000	15.9 0.626	M10 3/8	UC 206 UC 206-17 UC 206-18 UC 206-19 UC 206-20	FC206	1.30 1.31 1.32 1.30 1.29
UCFC 207 UCFC 207-20 UCFC 207-21 UCFC 207-22 UCFC 207-23	35 1-1/4 1-5/16 1-3/8 1-7/16	135 5-5/16	110 4-21/64	77.8 3-1/16	11 7/16	14 35/64	8 5/16	9 23/64	26 1-1/32	90 3.5433	36.4 1-7/16	42.9 1.6890	17.5 0.689	M12 7/16	UC 207 UC 207-20 UC 207-21 UC 207-22 UC 207-23	FC207	1.81 1.87 1.84 1.81 1.78
UCFC 208 UCFC 208-24 UCFC 208-25	40 1-1/2 1-9/16	145 5-45/64	120 4-23/32	84.8 3-11/32	11 7/16	14 35/64	10 25/64	9 23/64	26 1-1/32	100 3.9370	41.2 1-5/8	49.2 1.9370	19 0.748	M12 7/16	UC 208 UC 208-24 UC 208-25	FC208	2.14 2.18 2.15
UCFC 209 UCFC 209-26 UCFC 209-27 UCFC 209-28	45 1-5/8 1-11/16 1-3/4	160 6-19/64	132 5-13/64	93.3 3-43/64	10 25/64	16 5/8	12 15/32	14 35/64	26 1-1/32	105 4.1339	40.2 1-37/64	49.2 1.9370	19 0.748	M14 1/2	UC 209 UC 209-26 UC 209-27 UC 209-28	FC209	2.68 2.78 2.74 2.70
UCFC 210 UCFC 210-29 UCFC 210-30 UCFC 210-31 UCFC 210-32	50 1-13/16 1-7/8 1-15/16 2	165 6-1/2	138 5-7/16	97.6 3-27/32	10 25/64	16 5/8	12 15/32	14 35/64	28 1-7/64	110 4.3307	42.6 1-11/16	51.6 2.0315	19 0.748	M14 1/2	UC 210 UC 210-29 UC 210-30 UC 210-31 UC 210-32	FC210	2.90 3.02 2.97 2.92 2.88
UCFC 211 UCFC 211-32 UCFC 211-33 UCFC 211-34 UCFC 211-35	55 2 2-1/16 2-1/8 2-3/16	185 7-9/32	150 5-29/32	106.1 4-3/16	13 33/64	19 3/4	12 15/32	15 19/32	31 1-7/32	125 4.9213	46.4 1-53/64	55.6 2.1890	22.2 0.874	M16 5/8	UC 211 UC 211-32 UC 211-33 UC 211-34 UC 211-35	FC211	4.01 4.16 4.10 4.05 3.99
UCFC 212 UCFC 212-36 UCFC 212-37 UCFC 212-38 UCFC 212-39	60 2-1/4 2-5/16 2-3/8 2-7/16	195 7-11/16	160 6-19/64	113.1 4-29/64	17 43/64	19 3/4	12 15/32	15 19/32	36 1-27/64	135 5.3150	56.7 2-15/64	65.1 2.5630	25.4 1.000	M16 5/8	UC 212 UC 212-36 UC 212-37 UC 212-38 UC 212-39	FC212	4.94 5.07 4.99 4.92 4.85
UCFC 213 UCFC 213-40 UCFC 213-41	65 2-1/2 2-9/16	205 8-5/64	170 6-11/16	120.2 4-47/64	16 5/8	19 3/4	14 35/64	15 19/32	36 1-27/64	145 5.5118	55.7 1-3/16	65.1 2.5630	25.4 1.000	M16 5/8	UC 213 UC 213-40 UC 213-41	FC213	5.65 5.74 5.65
UCFC 214 UCFC 214-42 UCFC 214-43 UCFC 214-44	70 2-5/8 2-11/16 2-3/4	215 8-15/32	177 6-31/32	125.1 4-59/64	17 43/64	19 3/4	14 35/64	18 23/32	40 1-37/64	150 5.9055	61.4 1-13/32	74.6 2.9370	30.2 1.189	M16 5/8	UC 214 UC 214-42 UC 214-43 UC 214-44	FC214	6.95 7.16 7.06 6.96
UCFC 215 UCFC 215-45 UCFC 215-46 UCFC 215-47 UCFC 215-48	75 2-13/16 2-7/8 2-15/16 3	220 8-21/32	184 7-1/4	130.1 5-1/8	18 23/32	19 3/4	16 5/8	18 23/32	40 1-37/64	160 6.2992	62.5 2-15/32	77.8 3.0630	33.3 1.311	M16 5/8	UC 215 UC 215-45 UC 215-46 UC 215-47 UC 215-48	FC215	7.56 7.81 7.70 7.59 7.47
UCFC 216 UCFC 216-49 UCFC 216-50 UCFC 216-51	80 3-1/16 3-1/8 3-3/16	240 9-29/64	200 7-7/8	141.4 5-9/16	18 23/32	23 29/32	16 5/8	18 23/32	42 1-21/32	170 6.6929	67.3 2-21/32	82.6 3.2520	33.3 1.311	M20 3/4	UC 216 UC 216-49 UC 216-50 UC 216-51	FC216	9.15 9.28 9.20 9.07
UCFC 217 UCFC 217-52 UCFC 217-53 UCFC 217-55	85 3-1/4 3-5/16 3-7/16	250 9-27/32	208 8-3/16	147.1 5-51/64	18 23/32	23 29/32	18 23/32	20 25/32	45 1-25/32	180 7.0866	69.6 2-3/4	85.7 3.3740	34.1 1.343	M20 3/4	UC 217 UC 217-52 UC 217-53 UC 217-55	FC217	10.81 11.03 10.89 10.60
UCFC 218 UCFC 218-56	90 3-1/2	265 10-7/16	220 8-21/32	155.5 6-1/8	22 55/64	23 29/32	18 23/32	20 25/32	50 1-31/32	190 7.4803	78.3 3-3/32	96 3.7795	39.7 1.5630	M20 3/4	UC 218 UC 218-56	FC218	12.96 13.07

## Flange Units (Adapter mounted)

## UKFC 2 Series

Bearing Unit / Insert

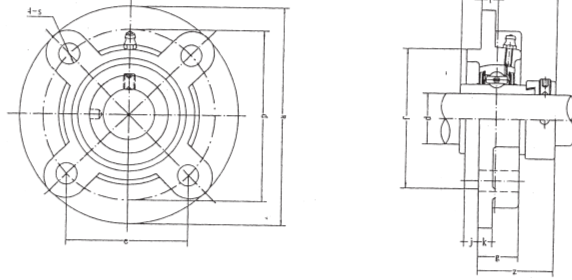


Unit No.	Dimensions <small>mm inch</small>												Bolt Size <small>mm inch</small>	Bearing No.	No.	Housing No.	Weight (kg)
	d	a	p	e	i	s	j	k	g	f	z	B <sub>1</sub>					
UKFC 205	20 3/4	115 4-17/32	90 3-35/64	63.6 2-1/2	10 15/64	12 15/32	6 15/64	7 9/32	21 53/64	70 2.7559	29.5 1-5/32	35 1.378	M10 3/8	UK 205	H305 HE305	FC205	1.05
UKFC 206	25 7/8 1	125 4-59/64	100 3-15/16	70.7 2-25/32	10 25/64	12 15/32	8 5/16	8 5/16	23 29/32	80 3.1496	31 1-7/32	38 1.496	M10 3/8	UK 206	H306 HS306 HE306	FC206	1.34
UKFC 207	30 1-1/8	135 5-5/16	110 4-21/64	77.8 3-1/16	11 7/16	14 35/64	8 5/16	9 23/64	26 1-1/32	90 3.5433	33.5 1-5/16	43 1.693	M12 7/16	UK 207	H307 HS307	FC207	1.90
UKFC 208	35 1-1/4 1-3/8	145 5-45/64	120 4-23/32	84.8 3-11/32	11 7/16	14 35/64	10 25/64	9 23/64	26 1-1/32	100 3.9370	35.5 1-25/64	46 1.811	M12 7/16	UK 208	H308 HE308 HS308	FC208	2.24
UKFC 209	40 1-7/16 1-1/2 1-5/8	160 6-19/64	132 5-13/64	93.3 3-43/64	10 25/64	16 5/8	12 15/32	14 35/64	26 1-1/32	105 4.1339	36 1-27/64	50 1.969	M14 1-1/2	UK 209	H309 HA309 HE309 HS309	FC209	2.83
UKFC 210	45 1-5/8 1-11/16 1-3/4	165 6-1/2	138 5-7/16	97.6 3-27/32	10 25/64	16 5/8	12 15/32	14 35/64	28 1-7/64	110 4.3307	37.5 1-15/32	55 2.165	M14 1/2	UK 210	H310 HS310 HA310 HE310	FC210	3.07
UKFC 211	50 1-7/8 1-15/16 2	185 7-9/32	150 5-29/32	106.1 4-3/16	13 33/64	19 3/4	12 15/32	15 19/32	31 1-7/32	125 4.9213	41.5 1-41/64	59 2.323	M16 5/8	UK 211	H311 HS311 HA311 HE311	FC211	4.16
UKFC 212	55 2-1/8	195 7-11/16	160 6-19/64	113.1 4-29/64	17 43/64	19 3/4	12 15/32	15 19/32	36 1-27/64	135 5.3150	48 1-57/64	62 2.441	M16 5/8	UK 212	H312 HS312	FC212	4.99
UKFC 213	60 2-3/16 2-1/4 2-3/8	205 8-5/64	170 6-11/16	120.2 4-47/64	16 5/8	19 3/4	14 35/64	15 19/32	36 1-27/64	145 5.5118	49 1-15/16	65 2.559	M16 5/8	UK 213	H313 HA313 HE313 HS313	FC213	5.56
UKFC 215	65 2-7/16 2-1/2	220 8-21/32	184 7-1/4	130.1 5-1/8	18 23/32	19 3/4	16 5/8	18 23/32	40 1-37/64	160 6.2992	53.5 2-7/64	73 2.874	M16 5/8	UK 215	H315 HA315 HE315	FC215	7.67
UKFC 216	70 2-11/16 2-3/4	240 9-29/64	200 7-7/8	141.4 5-9/16	18 23/32	23 29/32	16 5/8	18 23/32	42 1-21/32	170 6.6929	57 2-1/4	78 3.071	M20 3/4	UK 216	H316 HA316 HE316	FC216	9.41
UKFC 217	75 2-15/16 3	250 9-27/32	208 8-3/16	147.1 5-51/64	18 23/32	23 29/32	18 23/32	20 25/32	45 1-25/32	180 7.0866	59 2-21/64	82 3.228	M20 3/4	UK 217	H317 HA317 HE317	FC217	11.23
UKFC 218	80 3-3/16	265 10-7/16	220 8-21/32	155.5 6-1/8	22 55/64	23 29/32	18 23/32	20 25/32	50 1-31/32	190 7.4803	64.5 3-35/64	86 3.386	M20 3/4	UK 218	H318 HA318	FC218	13.34



## NAFC 2 Series

## Flange Units

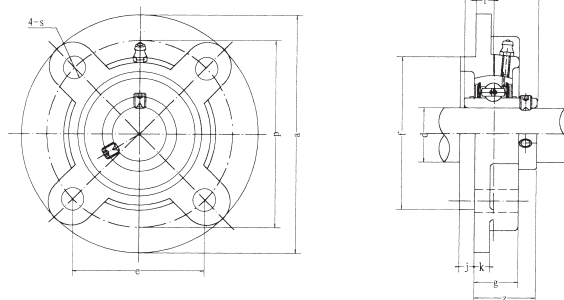


Bearing Unit / Insert

Unit No.	Dimensions <sup>mm</sup> / <sub>inch</sub>													Bolt Size mm inch	Bearing No.	Housing No.	Weight (kg)
	d	a	p	e	i	S	j	k	g	f	z	B	n				
NAFC 204	20	100	78	55.1	10	12	5	7	20.5	62	36.6	43.7	17.1	M10	NA 204	FC204	0.76
NAFC 204-12	3/4	3-15/16	3-5/64	2-11/64	25/64	15/32	13/64	9/32	13/16	2.4409	1-7/16	0.720	0.673	3/8	NA 204-12		0.76
NAFC 205	25	115	90	63.6	10	12	6	7	21	70	36.9	44.4	17.5	M10	NA 205	FC205	1.07
NAFC 205-13	13/16														NA 205-13		1.12
NAFC 205-14	7/8	4-17/32	3-35/64	2-1/2	25/64	15/32	15/64	9/32	53/64	2.7559	1-29/64	1.748	0.689	3/8	NA 205-14		1.11
NAFC 205-15	15/16														NA 205-15		1.09
NAFC 205-16	1														NA 205-16		1.07
NAFC 206	30	125	100	70.7	10	12	8	8	23	80	40.1	48.4	18.3	M10	NA 206	FC206	1.43
NAFC 206-17	1-1/16														NA 206-17		1.48
NAFC 206-18	1-3/8	4-59/64	3-15/16	2-25/32	25/64	15/32	5/16	5/16	29/32	3.1496	1-37/64	1.906	0.720	3/8	NA 206-18		1.45
NAFC 206-19	1-3/16														NA 206-19		1.43
NAFC 206-20	1-1/4														NA 206-20		1.40
NAFC 207	35	135	110	77.8	11	14	8	9	26	90	43.3	51.1	18.8	M12	NA 207	FC207	1.93
NAFC 207-20	1-1/4														NA 207-20		2.00
NAFC 207-21	1-5/16	1-5/16	4-21/64	3-1/16	7/16	35/64	5/16	23/64	1-1/32	3.5433	1-45/64	2.012	0.740	7/16	NA 207-21		1.96
NAFC 207-22	1-3/8														NA 207-22		1.93
NAFC 207-23	1-7/16														NA 208-23		1.87
NAFC 208	40	145	120	84.8	11	14	10	9	26	100	45.9	56.3	21.4	M12	NA 208	FC208	2.29
NAFC 208-24	1-1/2														NA 208-24		2.34
NAFC 208-25	1-9/16	5-45/64	4-23/32	3-11/32	7/16	35/64	25/64	23/64	1-1/32	3.9370	1-13/16	2.217	0.843	7/16	NA 208-25		2.30
NAFC 209	45	160	132	93.3	10	16	12	14	26	105	44.9	56.3	21.4	M14	NA 209	FC209	2.85
NAFC 209-26	1-5/8														NA 209-26		2.96
NAFC 209-27	1-11/16	6-19/64	5-13/64	3-43/64	25/64	5/8	15/32	35/64	1-1/32	4.1339	1-49/64	2.217	0.843	1/2	NA 209-27		2.91
NAFC 209-28	1-3/4														NA 209-28		2.87
NAFC 210	50	165	138	97.6	10	16	12	14	28	110	48.1	62.7	24.6	M14	NA 210	FC210	3.09
NAFC 210-29	1-13/16														NA 210-29		3.24
NAFC 210-30	1-7/8	6-1/2	5-7/16	3-27/32	25/64	5/8	15/32	35/64	1-7/64	4.3307	1-57/64	2.469	0.969	1/2	NA 210-30		3.18
NAFC 210-31	1-15/16														NA 210-31		
NAFC 210-32	2														NA 210-32		3.06
NAFC 211	55	185	150	106.1	13	19	12	15	31	125	56.6	71.4	27.8	M16	NA 211	FC211	4.22
NAFC 211-32	2														NA 211-32		4.42
NAFC 211-33	2-1/16	7-9/32	5-29/32	4-3/16	33/64	3/4	15/32	19/32	1-7/32	4.9213	2-15/64	2.811	1.094	5/8	NA 211-33		4.34
NAFC 211-34	2-1/8														NA 211-34		4.27
NAFC 211-35	2-3/16														NA 211-35		4.19
NAFC 212	60	195	160	113.1	17	19	12	15	36	135	63.8	77.8	31	M16	NA 212	FC212	5.28
NAFC 212-36	2-1/4														NA 212-36		5.44
NAFC 212-37	2-5/8	7-11/16	6-19/64	4-29/64	43/64	3/4	15/32	19/32	1-27/64	5.3150	2-33/64	3.063	1.220	5/8	NA 212-37		5.35
NAFC 212-38	2-3/8														NA 212-38		5.30
NAFC 212-39	2-7/16														NA 212-39		5.17
NAFC 213	65	205	170	120.2	16	19	14	15	36	145	67.6	85.7	34.1	M16	NA 213	FC213	6.21
NAFC 213-40	2-1/2	8-5/64	6-11/16	4-47/64	5/8	3/4	35/64	19/32	1-27/64	5.5118	2-21/32	3.374	1.343	5/8	NA 214-40		6.31
NAFC 213-41	2-9/16														NA 213-41		6.20
NAFC 214	70	215	177	125.1	17	19	14	18	40	150	68.6	85.7	34.1	M16	NA 214	FC214	7.45
NAFC 214-42	2-3/8														NA 214-42		7.69
NAFC 214-43	2-11/16	8-15/32	6-31/32	4-59/64	43/64	3/4	35/64	23/32	1-37/64	5.9055	2-45/64	3.374	1.343	5/8	NA 214-43		7.58
NAFC 214-44	2-3/4														NA 214-44		7.46
NAFC 215	75	220	184	130.1	18	19	16	18	40	160	72.8	92.1	37.3	M16	NA 215	FC215	8.19
NAFC 215-45	2-13/16														NA 215-45		8.49
NAFC 215-46	2-7/8	8-21/32	7-1/4	5-1/8	23/32	3/4	5/8	23/32	1-37/64	6.2992	2-7/8	3.626	1.469	5/8	NA 215-46		8.36
NAFC 215-47	2-15/16														NA 215-47		8.23
NAFC 215-48	3														NA 215-48		8.09

## Flange Units

## UCFCX Series

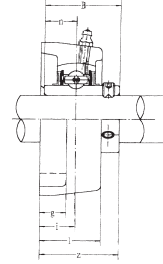
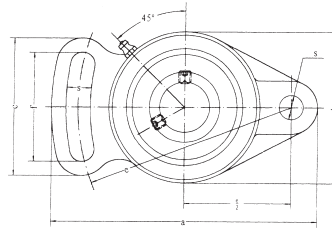


Bearing Unit / Insert

Unit No.	Dimensions <sup>mm</sup> / <sub>inch</sub>													Bolt Size mm inch	Bearing No.	Housing No.	Weight (kg)
	d	a	p	e	i	s	j	k	g	f	z	B	n				
UCFC X05	25	111	92	65	10	9.5	6	9.5	24	76	32.2	38.1	15.9	M8	UC X05	FCX05	1.2
UCFC X05-13	13/16														UC X05-13		
UCFC X05-14	7/8	4-3/8	3-5/8	2-9/16	25/64	3/8	15/64	3/8	15/16	2.9921	1-9/32	1.5000	0.626	5/16	UC X05-14		
UCFC X05-15	15/16														UC X05-15		
UCFC X05-16	1														UC X05-16		
UCFC X06	30	127	105	74.2	8	12	9.5	9.5	22.5	85	33.4	42.9	17.5	M10	UC X06	FCX06	1.5
UCFC X06-17	1-1/16														UC X06-17		
UCFC X06-18	1-1/8	5	4-9/64	2-59/64	5/16	15/32	3/8	3/8	7/8	3.3465	1-5/16	1.6890	0.689	3/8	UC X06-18		
UCFC X06-19	1-3/16														UC X06-19		
UCFC X06-20	1-1/4														UC X06-20		
UCFC X07	35	133	111	78.5	9	12	11	11	26	92	39.2	49.2	19	M10	UC X07	FCX07	1.9
UCFC X07-21	1-5/16														UC X07-21		
UCFC X07-22	1-3/8	5-1/4	4-3/8	3-3/32	23/64	15/32	7/16	7/16	1-1/32	3.6220	1-17/32	1.9370	0.748	3/8	UC X07-22		
UCFC X07-23	1-7/16														UC X07-23		
UCFC X08	40	133	111	78.5	9	12	11	11	26	92	39.2	49.2	19	M10	UC X08		
UCFC X08-24	1-1/2	5-1/4	4-3/8	3-3/32	23/64	15/32	7/16	7/16	1-1/32	3.6220	1-17/32	1.9370	0.748	3/8	UC X08-24		
UCFC X08-25	1-9/16														UC X08-25		
UCFC X09	45	155	130	91.9	8	14	12	11	25	108	40.6	51.6	19	M12	UC X09	FCX09	2.6
UCFC X09-26	1-5/8														UC X09-26		
UCFC X09-27	1-11/16	6-3/32	5-1/8	3-5/8	5/16	35/64	15/32	7/16	63/64	4.2520	1-19/32	2.0315	0.748	7/16	UC X09-27		
UCFC X09-28	1-3/4														UC X09-28		
UCFC X09-29	1-13/16														UC X09-29		
UCFC X10	50	162	136	96.2	7	14	16	11	25	118	40.4	55.6	22.2	M12	UC X10	FCX10	3.2
UCFC X10-30	1-7/8														UC X10-30		
UCFC X10-31	1-15/16	6-3/8	5-23/64	3-25/32	9/32	35/64	5/8	7/16	63/64	4.6457	1-19/32	2.1890	0.874	7/16	UC X10-31		
UCFC X10-32	2														UC X10-32		
UCFC X11	55	180	152	107.5	4	16	22	13	26	127	43.7	65.1	25.4	M14	UC X11		
UCFC X11-33	2-1/16														UC X11-33		
UCFC X11-34	2-1/8														UC X11-34		
UCFC X11-35	2-3/16	7-3/32	5-63/64	4-15/64	5/32	5/8	55/64	1/2	1-1/32	5.0000	1-23/32	2.5630	1.000	1/2	UC X11-35		
UCFC X11-36	2-5/16														UC X11-36		
UCFC X11-37															UC X11-37		
UCFC X12	60	194	165	116.7	11	16	20	14	33	140	50.7	65.1	25.4	M14	UC X12	FCX12	5.3
UCFC X12-38	2-3/8	7-5/8	6-1/2	4-19/32	7/16	5/8	25/32	9/16	1-5/16	5.5118	2	2.5630	1.000	1/2	UC X12-38		
UCFC X12-39	2-7/16														UC X12-39		
UCFC X13	65	194	165	116.7	11	16	20	14	33	140	55.4	74.6	30.2	M14	UC X13	FCX13	5.7
UCFC X13-40	2-1/2	7-5/8	6-1/2	4-19/32	7/16	5/8	25/32	9/16	1-5/16	5.5118	2-3/16	2.9370	1.189	1/2	UC X13-40		
UCFC X13-41	2-9/16														UC X13-41		
UCFC X14	70	222	190	134.3	14	19	20	14	36	164	58.5	77.8	33.3	M16	UC X14	FCX14	7.3
UCFC X14-42	2-5/8														UC X14-42		
UCFC X14-43	2-1/16	8-3/4	7-31/64	5-9/32	35/64	3/4	25/32	9/16	1-13/32	6.4567	2-5/16	3.0630	1.311	5/8	UC X14-43		
UCFC X14-44	2-3/4														UC X14-44		
UCFC X15	75	222	190	134.3	12	19	22	16	35	164	61.3	82.6	33.3	M16	UC X15	FCX15	8
UCFC X15-45	2-13/16														UC X15-45		
UCFC X15-46	2-7/8	8-3/4	7-31/64	5-9/32	15/32	3/4	55/64	5/8	1-3/8	6.4567	2-13/32	3.2520	1.311	5/8	UC X15-46		
UCFC X15-47	2-15/16														UC X15-47		
UCFC X15-48	3														UC X15-48		
UCFC X16	80	260	219	154.8	10	23	25	19	36	186	61.6	85.7	34.1	M20	UC X16	FCX16	11.3
UCFC X16-49	3-1/16														UC X16-49		
UCFC X16-50	3-1/8	10-1/4	8-5/8	6-3/32	25/64	29/32	63/64	3/4	1-13/32	7.3228	2-7/16	3.3740	1.343	3/4	UC X16-50		
UCFC X16-51	3-3/16														UC X16-51		
UCFC X16-52	3-1/4														UC X16-52		
UCFC X17	85	260	219	154.8	10	23	25	19	36	186	66.3	96	39.7	M20	UC X17	FCX17	12.9
UCFC X17-53	3-5/16	10-1/4	8-5/8	6-3/32	25/64	29/32	63/64	3/4	1-13/32	7.3228	2-5/8	3.7795	1.5630	3/4	UC X17-53		
UCFC X17-55	3-7/16														UC X17-55		

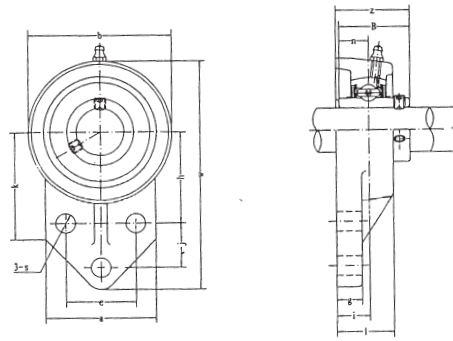
## UCFA 2 Series

## Flange Units



Bearing Unit / Insert

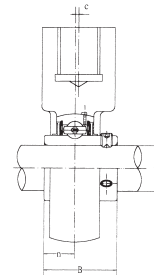
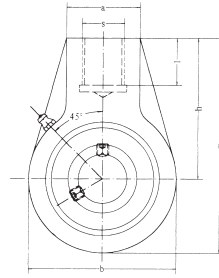
Unit No.	Dimensions <small>mm inch</small>													Bolt Size <small>mm inch</small>	Bearing No.	Housing No.	Weight (kg)
	d	a	e	i	g	l	S	b	z	f	c	B	n				
UCFA 201	12	98	78	15	12	25.5	10	60	33.3	40	50	31	12.7	M8	UC 201	FA204	0.50
UCFA 201-8	3/4														UC 201-8		0.49
UCFA 202	15														UC 202		0.49
UCFA 202-9	9/16														UC 202-9		0.49
UCFA 202-10	5/8	3-55/64	3-5/64	19/32	15/32	1	25/64	2-3/8	1-5/16	1-37/64	1-31/32	1.2205	0.500	5/16	UC 202-10		0.49
UCFA 203	17														UC 203		0.48
UCFA 203-11	11/16														UC 203-11		0.47
UCFA 204	20														UC 204		0.46
UCFA 204-12	3/4														UC 204-12	0.46	
UCFA 205	25	124	98	16	14	27	13	70	35.8	51	65	34.1	14.3	M10	UC 205	FA205	0.66
UCFA 205-13	13/16														UC 205-13		0.70
UCFA 205-14	7/8	4-7/8	3-55/64	5/8	35/64	1-1/16	33/64	2-3/4	1-13/32	2-1/64	2-9/16	1.3425	0.563	3/8	UC 205-14		0.69
UCFA 205-15	15/16														UC 205-15		0.67
UCFA 205-16	1														UC 205-16		0.66
UCFA 206	30	141	115	18	14	31	13	83	40.2	58	72	38.1	15.9	M10	UC 206	FA206	0.93
UCFA 206-17	1-1/16														UC 206-17		0.96
UCFA 206-18	1-1/8	5-35/64	4-17/32	45/64	35/64	1-7/32	33/64	3-17/64	1-19/32	2-9/32	2-27/32	1.5000	0.626	3/8	UC 206-18		0.95
UCFA 206-19	1-3/16														UC 206-19		0.93
UCFA 206-20	1-1/4														UC 206-20		0.92
UCFA 207	35	155	128	19	16	34	15	96	44.4	66	82	42.9	17.5	M12	UC 207	FA207	1.46
UCFA 207-20	1-1/4														UC 207-20		1.52
UCFA 207-21	1-5/16	6-7/64	5-3/64	3/4	5/8	1-11/32	19/32	3-25/32	1-3/4	2-19/32	3-15/64	1.6890	0.689	7/16	UC 207-21		1.49
UCFA 207-22	1-3/8														UC 207-22		1.46
UCFA 207-23	1-7/16														UC 207-23		1.43
UCFA 208	40	171	142	21	16	38	15	105	51.2	71	87	49.2	19	M12	UC 208	FA208	1.78
UCFA 208-24	1-1/2	47/64	5-19/32	53/64	5/8	1-1/2	19/32	4-9/64	2-1/64	2-51/64	3-27/64	1.9370	0.748	7/16	UC 208-24		1.82
UCFA 208-25	1-9/16														UC 208-25		1.79
UCFA 209	45	179	146	22	18	40	17	111	52.2	72	90	49.2	19	M14	UC 209	FA209	2.03
UCFA 209-26	1-5/8														UC 209-26		2.13
UCFA 209-27	1-11/16	7-3/64	5-3/4	55/64	45/64	1-37/64	43/64	4-3/8	2-1/16	2-53/64	3-35/64	1.9370	0.748	1/2	UC 209-27		2.09
UCFA 209-28	1-3/4														UC 209-28		2.05
UCFA 210	50	189	155	22	18	40	17	116	54.6	76	94	51.6	19	M14	UC 210	FA210	2.23
UCFA 210-29	1-13/16														UC 210-29		2.35
UCFA 210-30	1-7/8	7-7/16	6-7/64	55/64	45/64	1-37/64	43/64	4-9/16	2-5/32	3	3-45/64	2.0315	0.748	1/2	UC 210-30		2.30
UCFA 210-31	1-15/16														UC 210-31		2.25
UCFA 210-32	2														UC 210-32		2.21
UCFA 211	55	216	182	25	20	44	17	133	58.4	86	104	55.6	22.2	M14	UC 211	FA211	3.41
UCFA 211-32	2														UC 211-32		3.56
UCFA 211-33	2-1/16	8-1/2	7-11/64	63/64	25/32	1-47/64	43/64	5-51/64	2-5/16	3-25/64	4-3/32	2.1890	0.874	1/2	UC 211-33		3.50
UCFA 211-34	2-1/8														UC 211-34		3.45
UCFA 211-35	2-3/16														UC 211-35		3.39
UCFA 212	60	240	202	29	20	48	19	140	68.7	100	118	65.1	25.4	M16	UC 212	FA212	4.29
UCFA 212-36	2-1/4														UC 212-36		4.42
UCFA 212-37	2-5/16	9-29/64	7-61/64	1-9/64	25/32	1-7/8	3/4	5-1/2	2-23/32	3-15/16	4-41/64	2.5630	1.000	5/8	UC 212-37		4.35
UCFA 212-38	2-3/8														UC 212-38		4.27
UCFA 212-39	2-7/16														UC 212-39		4.20
UCFA 213	65	250	210	30	20	50	19	155	69.7	102	122	65.1	25.4	M14	UC 213	FA213	5.21
UCFA 213-40	2-1/2	9-27/32	8-17/64	1-3/16	25/32	1-31/32	3/4	6-3/32	2-3/4	4-1/64	4-51/64	2.5630	1.000	5/8	UC 213-40		5.29
UCFA 213-41	2-9/16														UC 213-41		5.15



Unit No.	Dimensions <sup>mm</sup> <sub>inch</sub>															Bolt Size mm inch	Bearing No.	Housing No.	Weight (kg)
	d	w	b	k	a	l	S	g	h	j	e	i	z	B	n				
UCFB 201	12	110	62	52	52	25.5	10	13	42	27	32	15	33.3	31	12.7	M8	UC 201		0.58
UCFB 201-8	3/4																UC 201-8		0.57
UCFB 202	15																UC 202		0.57
UCFB 202-9	9/16																UC 202-9		0.57
UCFB 202-10	5/8	4-11/32	2-7/16	2-1/16	2-1/16	1	25/64	1/2	1-21/32	1-1/16	1-17/64	19/32	1-5/16	1.2205	0.500	5/16	UC 202-10	FB204	0.57
UCFB 203	17																UC 203		0.56
UCFB 203-11	11/16																UC 203-11		0.55
UCFB 204	20																UC 204		0.54
UCFB 204-12	3/4																UC 204-12		0.54
UCFB 205	25	116	68	52	56	27	10	13	45	27	34	16	35.8	34.1	14.3	M8	UC 205		0.79
UCFB 205-13	13/16																UC 205-13		0.83
UCFB 205-14	7/8	4-9/16	2-11/16	2-1/16	2-7/32	1-1/16	25/64	1/2	1-49/64	1-1/16	1-11/32	5/8	1-13/32	1.3425	0.563	5/16	UC 205-14	FB205	0.82
UCFB 205-15	15/16																UC 205-15		0.80
UCFB 205-16	1																UC 205-16		0.79
UCFB 206	30	130	78	55	65	31	10	13	50	29	40	18	40.2	38.1	15.9	M8	UC 206		0.95
UCFB 206-17	1-1/16																UC 206-17		0.98
UCFB 206-18	1-1/8	5-1/8	3-1/16	2-5/32	2-9/16	1-7/32	25/64	1/2	1-31/32	1-9/64	1-37/64	45/64	1-19/32	1.5000	0.626	5/16	UC 206-18	FB206	0.97
UCFB 206-19	1-3/16																UC 206-19		0.95
UCFB 206-20	1-1/4																UC 206-20		0.94
UCFB 207	35	144	90	62	70	34	10	15	55	32	46	19	44.4	42.9	17.5	M8	UC 207		1.29
UCFB 207-20	1-1/4																UC 207-20		1.35
UCFB 207-21	1-5/16	5-21/32	3-35/64	2-7/16	2-3/4	1-11/32	25/64	19/32	2-11/64	1-17/64	1-13/16	3/4	1-3/4	1.6890	0.689	5/16	UC 207-21	FB207	1.32
UCFB 207-22	1-3/8																UC 207-22		0.29
UCFB 207-23	1-7/16																UC 207-23		1.26
UCFB 208	40	164	100	72	78	36	12	16	60	41	50	21	51.2	49.2	19	M10	UC 208		1.78
UCFB 208-24	1-1/2	6-15/32	3-15/16	2-27/32	3-1/16	1-13/32	15/32	5/8	2-23/64	1-39/64	1-31/32	53/64	2-1/64	1.9370	0.748	3/8	UC 208-24	FB208	1.82
UCFB 208-25	1-9/16																UC 208-25		1.79
UCFB 209	45	174	106	76	80	38	12	18	65	43	54	22	52.2	49.2	19	M10	UC 209		1.91
UCFB 209-26	1-5/8																UC 209-26	FB209	2.01
UCFB 209-27	1-11/16	6-27/32	4-3/16	3	3-5/32	1-1/2	15/32	23/32	2-9/16	1-11/16	2-1/8	55/64	2-1/16	1.9370	0.748	3/8	UC 209-27		1.97
UCFB 209-28	1-3/4																UC 209-28		1.93
UCFB 210	50	184	112	82	86	40	12	18	68	46	58	22	54.6	51.6	19	M10	UC 210		2.36
UCFB 210-29	1-13/16																UC 210-29	FB210	2.48
UCFB 210-30	1-7/8	7-1/4	4-13/32	3-7/32	3-3/8	1-37/64	15/32	23/32	2-43/64	1-13/16	2-9/32	55/64	2-5/32	2.0315	0.748	3/8	UC 210-30		2.43
UCFB 210-31	1-15/16																UC 210-31		2.38
UCFB 210-32	2																UC 210-32		2.34
UCFB 211	55	207	130	86	90	43	14	18	78	50	62	25	58.4	55.6	22.2	M12	UC 211		3.15
UCFB 211-32	2																UC 211-32	FB211	3.31
UCFB 211-33	2-1/16																UC 211-33		3.25
UCFB 211-34	2-1/8	8-5/32	5-1/8	3-25/64	3-25/64	1-11/16	35/64	45/64	3-5/64	1-31/32	2-7/16	63/64	2-5/16	2.1890	0.874	7/16	UC 211-34		3.20
UCFB 211-35	2-3/16																UC 211-35		3.14
UCFB 212	60	223	140	90	94	48	14	18	84	55	66	29	68.7	65.1	25.4	M12	UC 212		3.99
UCFB 212-36	2-1/4																UC 212-36	FB212	4.12
UCFB 212-37	2-5/16	8-25/32	5-1/2	3-35/64	3-45/64	1-7/8	35/64	45/64	3-5/16	2-11/64	2-19/32	1-9/64	2-23/32	2.5630	1.000	7/16	UC 212-37		4.04
UCFB 212-38	2-3/8																UC 212-38		3.97
UCFB 212-39	2-7/16																UC 212-39		3.90
UCFB 213	65	244	155	94	100	50	14	20	92	60	70	30	69.7	65.1	25.4	M12	UC 213		5.15
UCFB 213-40	2-1/2	9-39/64	6-7/64	3-45/64	3-15/16	1-31/32	35/64	25/32	3-5/8	2-23/64	2-3/4	1-3/16	2-3/4	2.5630	1.000	7/16	UC 213-40	FB213	5.32
UCFB 214-41	2-9/16																UC 213-41		5.02

**UCHA 2 Series**

**Screw Conveyor Hanger Units**

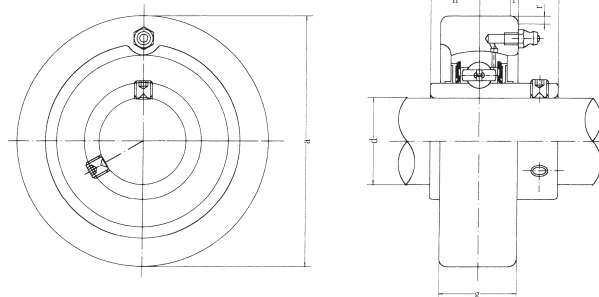


Bearing Unit / Insert

Unit No.	Dimensions <small>mm</small> <small>inch</small>										Bearing No.	Housing No.	Weight (kg)
	d	h	w	b	c	a	S	l	B	n			
UCHA 201	12	64	96	64	0	40		19	31	12.7	UC 201	HA204	0.73
UCHA 201-8	3/4										UC 201-8		0.72
UCHA 202	15										UC 202		0.72
UCHA 202-9	9/16										UC 202-9		0.72
UCHA 202-10	5/8	2-33/64	3-25/32	2-33/64	0	1-37/64	G-3/4	3/4	1.2205	0.500	UC 202-10		0.72
UCHA 203	17										UC 203		0.71
UCHA 203-11	11/16										UC 203-11		0.70
UCHA 204	20										UC 204		0.69
UCHA 204-12	3/4										UC 204-12	0.69	
UCHA 205	25	64	103	78	0	40		19	34.1	14.3	UC 205	HA205	0.83
UCHA 205-13	13/16										UC 205-13		0.87
UCHA 205-14	7/8	2-33/64	4-1/16	3-5/64	0	1-37/64	G-3/4	3/4	1.3425	0.563	UC 205-14		0.86
UCHA 205-15	15/16										UC 205-15		0.84
UCHA 205-16	1										UC 205-16		0.83
UCHA 206	30	64	103	78	0	40		19	38.1	15.9	UC 206	HA206	0.83
UCHA 206-17	1-1/16										UC 206-17		0.86
UCHA 206-18	1-1/8	2-33/64	4-1/16	3-5/64	0	1-37/64	G-3/4	3/4	1.5000	0.626	UC 206-18		0.85
UCHA 206-19	1-3/16										UC 206-19		0.83
UCHA 206-20	1-1/4										UC 206-20		0.82
UCHA 207	35	70	116	92	0	40		19	42.9	17.5	UC 207	HA207	1.16
UCHA 206-20	1-1/4										UC 207-20		1.22
UCHA 207-21	1-5/16	2-3/4	4-9/16	3-5/8	0	1-37/64	G-3/4	3/4	1.6890	0.689	UC 207-21		1.19
UCHA 207-22	1-3/8										UC 207-22		1.16
UCHA 207-23	1-7/16										UC 207-23		1.13
UCHA 208	40	73	121	96	2	40		19	49.2	19	UC 208	HA208	1.32
UCHA 208-24	1-1/2	2-7/8	4-49/64	3-25/32	5/64	1-37/64	G-3/4	3/4	1.9370	0.748	UC 208-24		1.36
UCHA 208-25	1-9/16										UC 208-25		1.33
UCHA 209	45	82	136	108	5	48		21	49.2	19	UC 209	HA209	1.92
UCHA 209-26	1-5/8										UC 209-26		2.02
UCHA 209-27	1-11/64	3-15/64	5-23/64	4-1/4	13/64	1-57/64	G-1	53/64	1.9370	0.748	UC 209-27		1.98
UCHA 209-28	1-3/4										UC 209-28		1.94
UCHA 210	50	83	142	118	5	48		21	51.6	19	UC 210	HA210	1.90
UCHA 210-29	1-13/16										UC 210-29		2.02
UCHA 210-30	1-7/8	3-17/64	5-19/32	4-41/64	13/64	1-57/64	G1	53/64	2.0315	0.748	UC 210-30		1.97
UCHA 210-31	1-15/16										UC 210-31		1.92
UCHA 210-32	2										UC 210-32		1.88
UCHA 211	55	87	150	126	7	60		25	55.6	22.2	UC 211	HA211	2.61
UCHA 211-32	2										UC 211-32		2.76
UCHA 211-33	2-1/16	3-27/64	5-29/32	4-61/64	9/32	2-23/64	G1-1/4	63/64	2.1890	0.874	UC 211-33		2.70
UCHA 211-34	2-1/18										UC 211-34		2.65
UCHA 211-35	2-3/16										UC 211-35		2.59
UCHA 212	60	102	173	142	9	60		28	65.1	25.4	UC 212	HA212	3.54
UCHA 212-36	2-1/4										UC 212-36		3.67
UCHA 212-37	2-5/16										UC 212-37		3.59
UCHA 212-38	2-3/8	4-1/64	6-13/16	5-19/32	23/64	2-23/64	G1-1/4	1-7/64	2.5630	1.000	UC 212-38		3.52
UCHA 212-39	2-7/16										UC 212-39		3.45
UCHA 213	65	117	200	166	9.5	70		32	65.1	25.4	UC 213	HA213	5.80
UCHA 213-40	2-1/2	4-39/64	7-7/8	6-17/32	3/8	2-3/4	G1-1/2	1-17/64	2.5630	1.000	UC 213-40		5.89
UCHA 213-41	2-9/16										UC 213-41		5.80

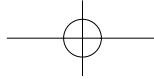
## Cartridge Units

## UCC 2 Series



Bearing Unit / Insert

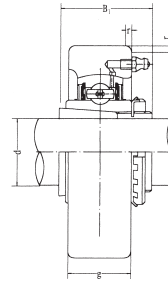
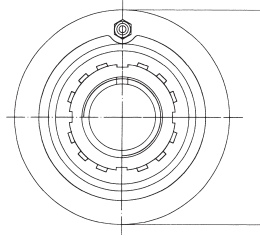
Unit No.	Dimensions <sup>mm</sup> / <sub>inch</sub>						Bearing No.	Housing No.	Weight (kg)
	d	a	g	r	B	n			
UCC 201	12	72	20	2	31	12.7	UC 201	C204	0.52
UCC 201-8	3/4	2.8346	25/32	0.079	1.2205	0.500	UC 201-8		0.51
UCC 202	15	72	20	2	31	12.7	UC 202	C204	0.51
UCC 202-9	9/16	2.8346	25/32	0.079	1.2205	0.500	UC 202-9		0.51
UCC 202-10	5/8						UC 202-10		0.51
UCC 203	17	72	20	2	31	12.7	UC 203	C204	0.50
UCC 203-11	11/16	2.8346	25/32	0.079	1.2205	0.500	UC 203-11		0.49
UCC 204	20	72	20	2	31	12.7	UC 204	C204	0.48
UCC 204-12	3/4	2.8346	25/32	0.079	1.2205	0.500	UC 204-12		0.48
UCC 205	25	80	22	2	34.1	14.3	UC 205	C205	0.63
UCC 205-13	13/16						UC 205-13		0.67
UCC 205-14	7/8	3.1496	55/64	0.079	1.3425	0.563	UC 205-14		0.66
UCC 205-15	15/16						UC 205-15		0.64
UCC 205-16	1						UC 205-16		0.63
UCC 206	30	85	27	2	38.1	15.9	UC 206	C206	0.80
UCC 206-17	1-1/16						UC 206-17		0.83
UCC 206-18	1-1/8	3.3465	1-1/16	0.079	1.5000	0.626	UC 206-18		0.82
UCC 206-19	1-3/16						UC 206-19		0.80
UCC 206-20	1-1/4						UC 206-20		0.79
UCC 207	35	90	28	2	42.9	17.5	UC 207		C207
UCC 207-20	1-1/4						UC 207-20	0.99	
UCC 207-21	1-5/16	3.5433	1-7/64	0.079	1.6890	0.689	UC 207-21	0.96	
UCC 207-22	1-3/8						UC 207-22	0.93	
UCC 207-23	1-7/16						UC 207-23	0.90	
UCC 208	40	100	30	2.5	49.2	19	UC 208	C208	1.22
UCC 208-24	1-1/2	3.9370	1-3/16	0.098	1.9370	0.748	UC 208-24		1.26
UCC 208-25	1-9/16						UC 208-25		1.23
UCC 209	45	110	31	2.5	49.2	19	UC 209	C209	1.49
UCC 209-26	1-5/8						UC 209-26		1.59
UCC 209-27	1-11/16	4.3307	1-7/32	0.098	1.9370	0.748	UC 209-27		1.55
UCC 209-28	1-3/4						UC 209-28		1.51
UCC 210	50	120	33	2.5	51.6	19	UC 210		C210
UCC 210-29	1-13/16						UC 210-29	2.02	
UCC 210-30	1-7/8	4.7244	1-19/64	0.098	2.0315	0.748	UC 210-30	1.97	
UCC 210-31	1-15/16						UC 210-31	1.92	
UCC 210-32	2						UC 210-32	1.88	
UCC 211	55	125	35	2.5	55.6	22.2	UC 211	C211	2.18
UCC 211-32	2						UC 211-32		2.33
UCC 211-33	2-1/16	4.9213	1-3/8	0.098	2.1890	0.874	UC 211-33		2.27
UCC 211-34	2-1/8						UC 211-34		2.22
UCC 211-35	2-3/16						UC 211-35		2.16
UCC 212	60	130	38	2.5	65.1	25.4	UC 212	C212	2.52
UCC 212-36	2						UC 212-36		2.65
UCC 212-37	2-1/16	5.1181	1-1/2	0.098	2.5630	1.000	UC 212-37		2.57
UCC 212-38	2-1/8						UC 212-38		2.50
UCC 212-39	2-3/16						UC 212-39		2.43
UCC 213	65	140	40	3	65.1	25.4	UC 213	C213	2.98
UCC 213-40	2-1/2	5.5118	1-37/64	0.118	2.5630	1.000	UC 213-40		3.07
UCC 213-41	2-9/16						UC 213-41		2.98



# FBJ®

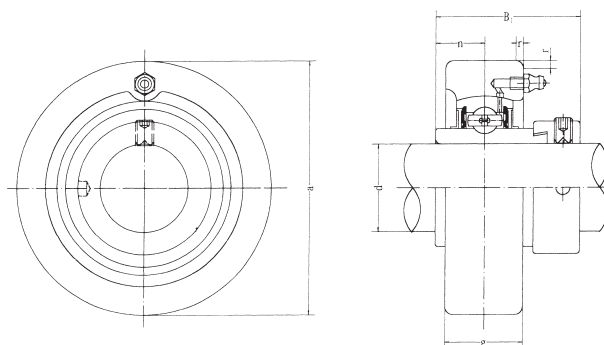
## UKC 2 Series

## Cartridge Units (Adapter mounted)



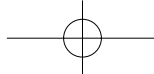
Bearing Unit / Insert

Unit No.	Dimensions <sup>mm</sup> / <sub>inch</sub>					Bearing No.	Housing No.	No.	Weight (kg)
	d	a	g	r	B1				
UKC 205	20	80	22	2	35	UK 205	C205	H305 HE305	0.68
	3/4	3.1496	55/64	0.079	1.378				
UKC 206	25	85	27	2	38	UK 206	C206	H306 HS306 HE306	0.84
	7/8	3.3465	1-1/16	0.079	1.496				
	1								
UKC 207	30	90	28	2	43	UK 207	C207	H307 HS307	1.02
	1-1/8	3.5433	1-7/64	0.079	1.693				
UKC 208	35	100	30	2.5	46	UK 208	C208	H308 HE308 HS308	1.32
	1-1/4	3.9370	1-3/16	0.098	1.811				
	1-3/8								
UKC 209	40	110	31	2.5	50	UK 209	C209	H309 HA309 HE309 HS309	1.64
	1-7/16								
	1-1/2	4.3307	1-7/32	0.098	1.969				
	1-5/8								
UKC 210	45	120	33	2.5	55	UK 210	C210	H310 HS310 HA310 HE310	2.07
	1-5/8								
	1-11/16	4.7244	1-19/64	0.098	2.165				
	1-3/4								
UKC 211	50	125	35	2.5	59	UK 211	C211	H311 HS311 HA311 HE311	2.33
	1-7/8								
	1-15/16	4.9213	1-3/8	0.098	2.323				
	2								
UKC 212	55	130	38	2.5	62	UK 212	C212	H312 HS312	2.57
	2-1/8	5.1181	1-1/2	0.098	2.441				
UKC 213	60	140	40	3	65	UK 213	C213	H313 HA313 HE313 HS313	2.89
	2-3/16								
	2-1/4	5.5118	1-37/64	0.118	2.559				
	2-3/8								



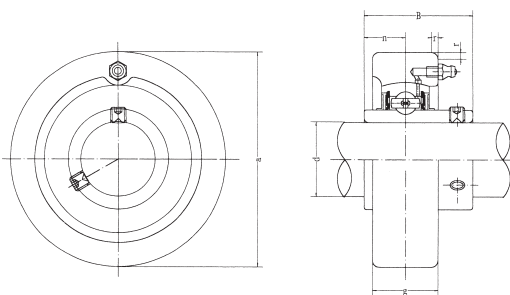
Unit No.	Dimensions <sup>mm</sup> / <sub>inch</sub>						Bearing No.	Housing No.	Weight (kg)					
	d	a	g	r	B	n								
NAC 204	20	72	20	2	43.7	17.1	NA 204	C204	0.55					
NAC 204-12	3/4	2.8346	25/32	0.079	1.720	0.673	NA 204-12		0.55					
NAC 205	25	80	22	2	44.4	17.5	NA 205	C205	0.70					
NAC 205-13	13/16	3.1496	55/64	0.079	1.748	0.689	NA 205-13		0.75					
NAC 205-14	7/8						NA 205-14		0.74					
NAC 205-15	15/16						NA 205-15		0.72					
NAC 205-16	1						NA 205-16		0.70					
NAC 206	30						85	27	2	48.4	18.3	NA 206	C206	0.93
NAC 206-17	1-1/16	3.3465	1-1/16	0.079	1.906	0.720	NA 206-17	0.98						
NAC 205-18	1-1/8						NA 206-18	0.95						
NAC 206-19	1-3/16						NA 206-19	0.93						
NAC 206-20	1-1/4						NA 206-20	0.90						
NAC 207	35						90	28	2	51.1	18.8	NA 207		C207
NAC 207-20	1-1/4						3.5433	1-7/64	0.079	2.012	0.740	NA 207-20	1.12	
NAC 207-21	1-5/16	NA 207-21	1.08											
NAC 207-22	1-3/8	NA 207-22	1.05											
NAC 207-23	1-7/16	NA 207-23	1.02											
NAC 208	40	100	30	2.5	56.3	21.4						NA 208	C208	1.37
NAC 208-24	1-1/2	3.9370	1-3/16	0.098	2.217	0.843	NA 208-24	1.42						
NAC 208-25	1-9/16	NA 208-25	1.38											
NAC 209	45	110	31	2.5	56.3	21.4	NA 209	C209	1.66					
NAC 209-26	1-5/8	4.3307	1-7/32	0.098	2.217	0.843	NA 209-26		1.77					
NAC 209-27	1-11/16						NA 209-27		1.72					
NAC 209-28	1-3/4						NA 209-28		1.68					
NAC 210	50						120	33	2.5	62.7	24.6	NA 210	C210	2.09
NAC 210-29	1-13/16	4.7244	1-19/64	0.098	2.469	0.969	NA 210-29	2.24						
NAC 210-30	1-7/8						NA 210-30	2.18						
NAC 210-31	1-15/16						NA 210-31	2.12						
NAC 210-32	2						NA 210-32	2.06						
NAC 211	55						125	35	2.5	71.4	27.8	NA 211	C211	2.39
NAC 211-32	2	4.9213	1-3/8	0.098	2.811	1.094	NA 211-32	2.59						
NAC 211-33	2-1/16						NA 211-33	2.51						
NAC 211-34	2-1/8						NA 211-34	2.44						
NAC 211-35	2-3/16						NA 211-35	2.36						
NAC 212	60						130	38	2.5	77.8	31	NA 212	C212	2.86
NAC 212-36	2-1/4	5.1181	1-1/2	0.098	3.063	1.220	NA 212-36	3.02						
NAC 212-37	2-5/16						NA 212-37	2.93						
NAC 212-38	2-3/8						NA 212-38	2.88						
NAC 212-39	2-7/16						NA 212-39	2.75						





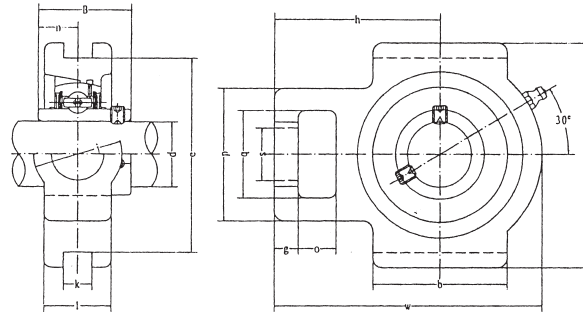
## UCCX Series

## Cartridge Units



Bearing Unit / Insert

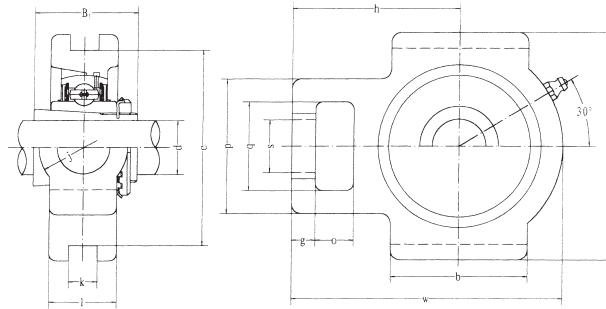
Unit No.	Dimensions <sup>mm</sup> / <sub>inch</sub>						Bearing No.	Housing No.	Weight (kg)
	d	a	g	r	B	n			
UCC X05	25	90	27	2	38.1	15.9	UC X05	CX05	1.1
UCC X05-13	<sup>13</sup> / <sub>16</sub>	3.5433	1- <sup>1</sup> / <sub>16</sub>	0.079	1.5000	0.626	UC X05-13		
UCC X05-14	<sup>7</sup> / <sub>8</sub>						UC X05-14		
UCC X05-15	<sup>15</sup> / <sub>16</sub>						UC X05-15		
UCC X05-16	1						UC X05-16		
UCC X06	30	100	30	2.5	42.9	17.5	UC X06	CX06	1.6
UCC X06-17	1- <sup>1</sup> / <sub>16</sub>	3.9370	1- <sup>3</sup> / <sub>16</sub>	0.098	1.6890	0.689	UC X06-17		
UCC X06-18	1- <sup>1</sup> / <sub>8</sub>						UC X06-18		
UCC X06-19	1- <sup>3</sup> / <sub>16</sub>						UC X06-19		
UCC X06-20	1- <sup>1</sup> / <sub>4</sub>						UC X06-20		
UCC X07	35	110	34	2.5	49.2	19	UC X07	CX07	2.0
UCC X07-21	1- <sup>5</sup> / <sub>16</sub>	4.3307	1- <sup>11</sup> / <sub>32</sub>	0.098	1.9370	0.748	UC X07-21		
UCC X07-22	1- <sup>3</sup> / <sub>8</sub>						UC X07-22		
UCC X07-23	1- <sup>7</sup> / <sub>16</sub>						UC X07-23		
UCC X08	40						120	38	2.5
UCC X08-24	1- <sup>1</sup> / <sub>2</sub>	4.7244	1- <sup>1</sup> / <sub>2</sub>	0.098	1.9370	0.748	UC X08-24		
UCC X08-25	1- <sup>9</sup> / <sub>16</sub>						UC X08-25		
UCC X09	45	120	38	2.5	51.6	19	UC X09	CX09	2.4
UCC X09-26	1- <sup>5</sup> / <sub>8</sub>	4.7244	1- <sup>1</sup> / <sub>2</sub>	0.098	2.0315	0.748	UC X09-26		
UCC X09-27	1- <sup>11</sup> / <sub>16</sub>						UC X09-27		
UCC X09-28	1- <sup>3</sup> / <sub>4</sub>						UC X09-28		
UCC X09-29	1- <sup>13</sup> / <sub>16</sub>						UC X09-29		
UCC X10	50						130	40	2.5
UCC X10-30	1- <sup>7</sup> / <sub>8</sub>	5.1181	1- <sup>37</sup> / <sub>64</sub>	0.098	2.1890	0.874	UC X10-30		
UCC X10-31	1- <sup>15</sup> / <sub>16</sub>						UC X10-31		
UCC X10-32	2						UC X10-32		
UCC X11	55						150	42	3
UCC X11-33	2- <sup>1</sup> / <sub>16</sub>	5.9055	1- <sup>21</sup> / <sub>32</sub>	0.118	2.5630	1.000	UC X11-33		
UCC X11-34	2- <sup>1</sup> / <sub>8</sub>						UC X11-34		
UCC X11-35	2- <sup>3</sup> / <sub>16</sub>						UC X11-35		
UCC X11-36	2- <sup>1</sup> / <sub>4</sub>						UC X11-36		
UCC X11-37	2- <sup>5</sup> / <sub>16</sub>						UC X11-37		
UCC X12	60	160	44	3	65.1	25.4	UC X12	CX12	5.0
UCC X12-38	2- <sup>3</sup> / <sub>8</sub>	6.2992	1- <sup>47</sup> / <sub>64</sub>	0.118	2.5630	1.000	UC X12-38		
UCC X12-39	2- <sup>7</sup> / <sub>16</sub>						UC X12-39		



Unit No.	Dimensions <sup>mm</sup> / <sub>inch</sub>																Bearing No.	Housing No.	Weight (kg)
	d	O	g	p	q	S	b	k	e	a	w	j	l	h	B	n			
UCT 201	12	16	10	51	32	19	51	12	76	89	94	32	21	61	31	12.7	UC 201	T204	0.80
UCT 201-8	3/4	5/8	25/64	1-1/64	1-1/4	3/4	2-1/64	15/32	2-63/64	3-1/2	3-11/16	1-1/4	13/16	2-13/32	1.2205	0.500	UC 201-8		0.79
UCT 202	15	16	10	51	32	19	51	12	76	89	94	32	21	61	31	12.7	UC 202	T204	0.79
UCT 202-9	9/16	5/8	25/64	1-1/64	1-1/4	3/4	2-1/64	15/32	2-63/64	3-1/2	3-11/16	1-1/4	13/16	2-13/32	1.2205	0.500	UC 202-9		0.79
UCT 202-10	5/8																UC 202-10		0.79
UCT 203	17	16	10	51	32	19	51	12	76	89	94	32	21	61	31	12.7	UC 203	T204	0.78
UCT 203-11	11/16	5/8	25/64	1-1/64	1-1/4	3/4	2-1/64	15/32	2-63/64	3-1/2	3-11/16	1-1/4	13/16	2-13/32	1.2205	0.500	UC 203-11		0.77
UCT 204	20	16	10	51	32	19	51	12	76	89	94	32	21	61	31	12.7	UC 204	T204	0.76
UCT 204-12	3/4	5/8	25/64	1-1/64	1-1/4	3/4	2-1/64	15/32	2-63/64	3-1/2	3-11/16	1-1/4	13/16	2-13/32	1.2205	0.500	UC 204-12		0.76
UCT 205	25	16	10	51	32	19	51	12	76	89	97	32	24	62	34.1	14.3	UC 205	T205	0.81
UCT 205-13	13/16																UC 205-13		0.85
UCT 205-14	7/8	5/8	25/64	1-1/64	1-1/4	3/4	2-1/64	15/32	2-63/64	3-1/2	3-13/16	1-1/4	15/16	2-7/16	1.3425	0.563	UC 205-14		0.84
UCT 205-15	15/16																UC 205-15		0.82
UCT 205-16	1																UC 205-16		0.81
UCT 206	30	16	10	56	37	22	57	12	89	102	113	37	28	70	38.1	15.9	UC 206	T206	1.22
UCT 206-17	1-1/16																UC 206-17		1.23
UCT 206-18	1-1/8																UC 206-18		1.24
UCT 206-19	1-3/16	5/8	25/64	2-7/32	1-29/64	55/64	2-1/4	15/32	3-1/2	4-1/64	4-29/64	1-29/64	1-3/32	2-3/4	1.5000	0.626	UC 206-19		1.22
UCT 206-20	1-1/4																UC 206-20		1.21
UCT 207	35	16	13	64	37	22	64	12	89	102	129	37	30	78	42.9	17.5	UC 207	T207	1.44
UCT 207-20	1-1/4																UC 207-20		1.50
UCT 207-21	1-5/16	5/8	33/64	2-33/64	1-29/64	55/64	2-33/64	15/32	3-1/2	4-1/64	5-5/64	1-29/64	1-3/16	3-5/64	1.6890	0.689	UC 207-21		1.46
UCT 207-22	1-3/8																UC 207-22		1.44
UCT 207-23	1-7/16																UC 207-23		1.41
UCT 208	40	19	16	83	49	29	83	16	102	114	144	49	33	89	49.2	19	UC 208	T208	2.40
UCT 208-24	1-1/2	3/4	5/8	3-17/64	1-15/16	1-9/64	3-17/64	5/8	4-1/64	4-31/64	5-43/64	1-15/16	1-5/16	3-1/2	1.9370	0.748	UC 208-24		2.44
UCT 208-25	1-9/16																UC 208-25		2.41
UCT 209	45	19	16	83	49	29	83	16	102	117	144	49	35	87	49.2	19	UC 209	T209	2.36
UCT 209-26	1-5/8																UC 209-26		2.46
UCT 209-27	1-11/16	3/4	5/8	3-17/64	1-15/16	1-9/64	3-17/64	5/8	4-1/64	4-39/64	5-43/64	1-15/16	1-3/8	3-27/64	1.9370	0.748	UC 209-27		2.42
UCT 209-28	1-3/4																UC 209-28		2.38
UCT 210	50	19	16	83	49	29	86	16	102	117	149	49	37	90	51.6	19	UC 210	T210	2.43
UCT 210-29	1-13/16																UC 210-29		2.55
UCT 210-30	1-7/8	3/4	5/8	3-17/64	1-15/16	1-9/64	3-17/64	5/8	4-1/64	4-39/64	5-55/64	1-15/16	1-15/32	3-35/64	2.0315	0.748	UC 210-30		2.50
UCT 210-31	1-15/16																UC 210-31		2.45
UCT 210-32	2																UC 210-32		2.41
UCT 211	55	25	19	102	64	35	95	22	130	146	171	64	38	106	55.6	22.2	UC 211	T211	4.11
UCT 211-32	2																UC 211-32		4.26
UCT 211-33	2-1/16																UC 211-33		4.20
UCT 211-34	2-1/8	63/64	3/4	4-1/64	2-1/32	1-3/8	3-3/4	55/64	5-1/8	5-3/4	6-47/64	2-33/64	1-1/2	4-11/64	2.1890	0.874	UC 211-34		4.15
UCT 211-35	2-3/16																UC 211-35		4.09
UCT 212	60	32	19	102	64	35	102	22	130	146	194	64	42	119	65.1	25.4	UC 212	T212	4.97
UCT 212-36	2-1/4																UC 212-36		5.10
UCT 212-37	2-5/16	1-17/64	3/4	4-1/64	2-1/32	1-3/8	4-1/64	55/64	5-1/8	5-3/4	7-41/64	2-33/64	1-21/32	4-11/16	2.5630	1.000	UC 212-37		5.02
UCT 212-38	2-3/8																UC 212-38		4.95
UCT 212-39	2-7/16																UC 212-39		4.88
UCT 213	65	32	21	111	70	41	121	26	151	167	224	70	44	137	65.1	25.4	UC 213	T213	6.65
UCT 213-40	2-1/2																UC 213-40		6.74
UCT 213-41	2-9/16	1-17/64	53/64	4-3/8	2-3/4	1-39/64	4-49/64	1-1/32	5-15/16	6-37/64	8-13/16	2-3/4	1-23/32	5-25/64	2.5630	1.000	UC 213-41		6.65
UCT 214	70	32	21	111	70	41	121	26	151	167	224	70	46	137	74.6	30.2	UC 214	T214	7.05
UCT 214-42	2-5/8																UC 214-42		7.26
UCT 214-43	2-11/16	1-17/64	53/64	4-3/8	2-3/4	1-39/64	4-49/64	1-1/32	5-15/16	6-37/64	8-13/16	2-3/4	1-13/16	5-25/64	2.9370	1.189	UC 214-43		7.16
UCT 214-44	2-3/4																UC 214-44		7.06
UCT 215	75	32	21	111	70	41	121	26	151	167	232	70	48	140	77.8	33.3	UC 215	T215	7.41
UCT 215-45	2-13/16																UC 215-45		7.66
UCT 215-46	2-7/8																UC 215-46		7.55
UCT 215-47	2-15/16	1-17/64	53/64	4-3/8	2-3/4	1-36/64	4-49/64	1-1/32	5-15/16	6-37/64	9-9/64	2-3/4	1-57/64	5-33/64	3.0630	1.311	UC 215-47		7.44
UCT 215-48	3																UC 215-48		7.32
UCT 216	80	32	21	111	70	41	121	26	165	184	235	70	51	140	82.6	33.3	UC 216	T216	8.30
UCT 216-49	3-1/16	1-17/64	53/64	4-3/8	2-3/4	1-39/64	4-49/64	1-1/32	6-1/2	7-1/4	9-1/4	2-3/4	2	5-33/64	3.2520	1.311	UC 216-49		8.48
UCT 216-50	3-1/8																UC 216-50		8.35
UCT 216-51	3-3/16																UC 216-51		8.22
UCT 217	85	38	29	124	73	48	157	30	173	198	260	73	54	162	85.7	34.1	UC 217	T217	11.00
UCT 217-52	3-1/4																UC 217-52		11.22
UCT 217-53	3-5/16	1-1/2	1-9/64	4-7/8	2-7/8	1-57/64	6-3/16	1-3/16	6-13/16	7-51/64	10-15/64	2-7/8	2-1/8	6-3/8	3.3740	1.343	UC 217-53		11.09
UCT 217-55	3-7/16																UC 217-55		10.80

## UKT 2 Series

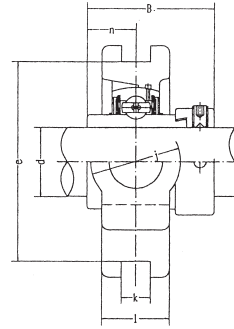
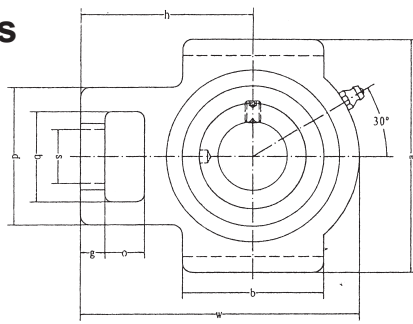
## Take-up Units (Adapter mounted)



Bearing Unit / Insert

Unit No.	Dimensions <sup>mm</sup> / <sub>inch</sub>															Bearing No.	Housing No.	No.	Weight (kg)
	d	o	g	p	q	s	b	k	e	a	w	j	l	h	B				
UKT 205	20 3/4	16 5/8	10 25/64	51 1-1/64	32 1-1/4	19 3/4	51 2-1/64	12 15/32	76 2-63/64	89 3-1/2	97 3-13/16	32 1-1/4	24 15/16	62 2-7/16	35 1.378	UK 205	T 205	H305 HE305	0.86
UKT 206	25 7/8 1	16 5/8	10 25/64	56 2-7/32	37 1-15/32	22 5/8	57 2-1/4	12 15/32	89 3-1/2	102 4-1/64	113 4-29/64	37 1-29/64	28 1-3/32	70 2-3/4	38 1.496	UK 206	T206	H306 HS306 HE306	1.26
UKT 207	30 1-1/8	16 5/8	13 33/64	64 2-33/64	37 1-15/32	22 5/8	64 2-33/64	12 15/32	89 3-1/2	102 4-1/64	129 5-5/64	37 1-29/64	30 1-3/16	78 3-5/64	43 1.693	UK 207	T207	H307 HS307	2.50
UKT 208	35 1-1/4 1-3/8	19 3/4	16 5/8	83 3-17/64	49 1-15/16	29 1-9/64	83 3-17/64	16 5/8	102 4-1/64	114 4-31/64	144 5-43/64	49 1-15/16	33 1-5/16	89 3-1/2	46 1.811	UK 208	T208	H308 HS308 HE308	2.50
UKT 209	40 1-7/16 1-1/2 1-5/8	19 3/4	16 5/8	83 3-17/64	49 1-15/16	29 1-9/64	83 3-17/64	16 5/8	102 4-1/64	117 4-39/64	144 5-43/64	49 1-15/16	35 1-3/8	87 3-27/64	50 1.969	UK 209	T209	H309 HA309 HE309 HS309	2.51
UKT 210	45 1-5/8 1-11/16 1-3/4	19 3/4	16 5/8	83 3-17/64	49 1-15/16	29 1-9/64	86 3-25/64	16 5/8	102 4-1/64	117 4-39/64	149 5-55/64	49 1-15/16	37 1-15/32	90 3-35/64	55 2.165	UK 210	T210	H310 HS310 HA310 HE310	2.60
UKT 211	50 1-7/8 1-15/16 2	25 63/64	19 3/4	102 4-1/64	64 2-1/32	35 1-3/8	95 3-3/4	22 5/8	130 5-1/8	146 5-3/4	171 6-47/64	64 2-33/64	38 1-1/2	106 4-11/64	59 2.323	UK 211	T211	H311 HS311 HA311 HE311	4.26
UKT 212	55 2-1/8	32 1-17/64	19 3/4	102 4-1/64	64 2-1/32	35 1-3/8	102 4-1/64	22 5/8	130 5-1/8	146 5-3/4	194 7-41/64	64 2-33/64	42 1-21/32	119 4-11/16	62 2.441	UK 212	T212	H312 HS312	5.02
UKT 213	60 2-3/16 2-1/4 2-3/8	32 1-17/64	21 53/64	111 4-3/8	70 2-3/4	41 1-39/64	121 4-49/64	26 1-1/32	151 5-15/16	167 6-37/64	224 8-13/16	70 2-3/4	44 1-23/32	137 5-25/64	65 2.559	UK 213	T213	H313 HA313 HE313 HS313	6.56
UKT 215	65 2-7/16 2-1/2	32 1-17/64	21 53/64	111 4-3/8	70 2-3/4	41 1-39/64	121 4-49/64	26 1-1/32	151 5-15/16	167 6-37/64	232 9-9/64	70 2-3/4	48 1-57/64	140 5-33/64	73 2.874	UK 215	T215	H315 HA315 HE315	7.52
UKT 216	70 2-11/16 2-3/4	32 1-17/64	21 53/64	11 4-3/8	70 2-3/4	41 1-39/64	121 4-49/64	26 1-1/32	165 6-1/2	184 7-1/4	235 9-1/4	70 2-3/4	51 2	140 5-33/64	78 3.071	UK 216	T216	H316 HA316 HE316	8.56
UKT 217	75 2-15/16 3	38 1-1/2	29 1-9/64	124 4-7/8	73 2-7/8	48 1-57/64	157 6-3/16	30 1-3/16	173 6-13/16	198 7-51/64	260 10-15/64	73 2-7/8	54 2-1/8	162 6-3/8	82 3.228	UK 217	T217	H317 HA317 HE317	11.38

## Take-up Units

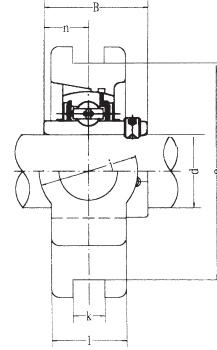
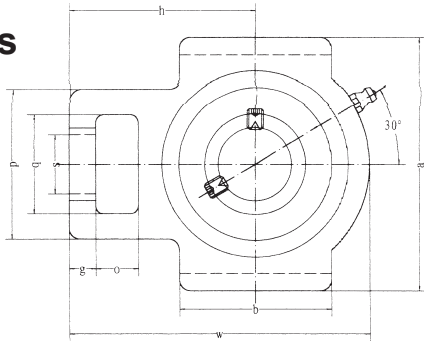


## NAT 2 Series

Bearing Unit / Insert

Unit No.	Dimensions <sup>mm</sup> / <sub>inch</sub>																Bearing No.	Housing No.	Weight (kg)
	d	O	g	p	q	s	b	k	e	a	w	j	l	h	B	n			
NAT 204	20	16	10	51	32	19	51	12	76	89	94	32	21	61	43.7	17.1	NA 204	T204	0.83
NAT 204-12	3/4	5/8	25/64	1-1/16	1-1/4	3/4	2-1/64	15/32	2-63/64	3-1/2	3-11/16	1-1/4	13/16	2-13/32	1.720	0.673	NA 204-12		0.83
NAT 205	25	16	10	51	32	19	51	12	76	89	97	32	24	62	44.4	17.5	NA 205	T205	0.88
NAT 205-13	13/16																NA 205-13		0.93
NAT 205-14	7/8	5/8	25/64	1-1/16	1-1/4	3/4	2-1/64	15/32	2-63/64	3-1/2	3-13/16	1-1/4	15/16	2-7/16	1.748	0.689	NA 205-14		0.92
NAT 205-15	15/16																NA 205-15		0.90
NAT 205-16	1																NA 205-16		0.88
NAT 206	30	16	10	56	37	22	57	12	89	102	113	37	28	70	48.4	18.3	NA 206	T206	1.35
NAT 206-17	1-1/16																NA 206-17		1.40
NAT 206-18	1-1/8	5/8	25/64	2-7/32	1-29/64	55/64	2-1/4	15/32	3-1/2	4-1/64	4-29/64	4-29/64	1-3/32	2-3/4	1.906	0.720	NA 206-18		1.37
NAT 206-19	1-3/16																NA 206-19		1.35
NAT 206-20	1-1/4																NA 206-20		1.32
NAT 207	35	16	13	64	37	22	64	12	89	102	129	37	30	78	51.1	18.8	NA 207	T207	1.56
NAT 207-20	1-1/4																NA 207-20		1.63
NAT 207-21	1-5/16	5/8	33/64	2-33/64	1-29/64	55/64	2-33/64	15/32	3-1/2	4-1/64	5-5/64	1-29/64	1-3/16	3-5/64	2.012	0.740	NA 207-21		1.59
NAT 207-22	1-3/8																NA 207-22		1.56
NAT 207-23	1-7/16																NA 207-23		1.53
NAT 208	40	19	16	83	49	29	83	16	102	114	144	49	33	89	56.3	21.4	NA 208	T208	2.55
NAT 208-24	1-1/2	3/4	5/8	3-17/64	1-15/16	1-9/64	3-17/64	5/8	4-1/64	4-31/64	4-43/64	1-15/16	1-5/16	3-1/2	2.217	0.843	NA 208-24		2.60
NAT 208-25	1-9/16																NA 208-25		2.56
NAT 209	45	19	16	83	49	29	83	16	102	117	144	49	35	87	56.3	21.4	NA 209	T209	2.53
NAT 209-26	1-5/8																NA 209-26		2.64
NAT 209-27	1-11/16	3/4	5/8	3-17/64	1-15/16	1-9/64	3-17/64	5/8	4-1/64	4-39/64	5-43/64	1-15/16	1-3/8	3-27/64	2.217	0.843	NA 209-27		2.59
NAT 209-28	1-3/4																NA 209-28		2.55
NAT 210	50	19	16	83	49	29	86	16	102	117	149	49	37	90	62.7	24.6	NA 210		T210
NAT 210-29	1-13/16																NA 210-29	2.77	
NAT 210-30	1-7/8	3/4	5/8	3-17/64	1-15/16	1-9/64	3-25/64	5/8	4-1/64	4-39/64	5-55/64	1-15/16	1-15/32	3-35/64	2.469	0.969	NA 210-30	2.71	
NAT 210-31	1-15/16																NA 210-31	2.65	
NAT 210-32	2																NA 210-32	2.59	
NAT 211	55	25	19	102	64	35	95	22	130	146	171	64	38	106	71.4	27.8	NA 211	T211	4.32
NAT 211-32	2																NA 211-32		4.52
NAT 211-33	2-1/16	63/64	3/4	4-1/64	2-1/32	1-3/8	3-3/4	55/64	5-1/8	5-3/4	6-47/64	2-33/64	1-1/2	4-11/64	2.811	1.094	NA 211-33		4.44
NAT 211-34	2-1/8																NA 211-34		4.37
NAT 211-35	2-3/16																NA 211-35		4.29
NAT 212	60	32	19	102	64	35	102	22	130	146	194	64	42	119	77.8	31	NA 212	T212	5.31
NAT 212-36	2-1/4																NA 212-36		5.47
NAT 212-37	2-5/16	1-17/64	3/4	4-1/64	2-1/32	1-3/8	4-1/64	55/64	5-1/8	5-3/4	7-41/64	2-33/64	1-21/32	4-11/16	3.063	1.220	NA 212-37		5.38
NAT 212-38	2-3/8																NA 212-38		5.33
NAT 212-39	2-7/16																NA 212-39		5.20
NAT 213	65	32	21	111	70	41	121	26	151	167	224	70	44	137	85.7	34.1	NA 213	T213	7.21
NAT 213-40	2-1/2	1-17/64	53/64	4-3/8	2-3/4	1-39/64	4-49/64	1-1/32	5-15/16	6-37/64	8-13/16	2-3/4	1-23/32	5-25/64	3.374	1.343	NA 213-40		7.31
NAT 213-41	2-9/16																NA 213-41		7.20
NAT 214	70	32	21	111	70	41	121	26	151	167	224	70	46	137	85.7	34.1	NA 214	T214	7.55
NAT 214-42	2-3/8																NA 214-42		7.79
NAT 214-43	2-11/16	1-17/64	53/64	4-3/8	2-3/4	1-39/64	4-49/64	1-1/32	5-15/16	6-37/64	8-13/16	2-3/4	1-13/16	5-25/64	3.374	1.343	NA 214-43		7.68
NAT 214-44	2-3/4																NA 214-44		7.56
NAT 215	75	32	21	111	70	41	121	26	151	167	232	70	48	140	92.1	37.3	NA 215	T215	8.04
NAT 215-45	2-13/16																NA 215-45		8.34
NAT 215-46	2-7/8	1-17/64	53/64	4-3/8	2-3/4	1-39/64	4-49/64	1-1/32	5-15/16	6-37/64	9-9/64	2-3/4	1-57/64	5-33/64	3.626	1.426	NA 215-46		8.21
NAT 215-47	2-15/16																NA 215-47		8.08
NAT 215-48	3																NA 215-48		7.94

## UCTX Series

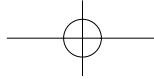


## Take-up Units

Bearing Unit / Insert

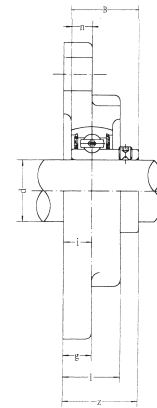
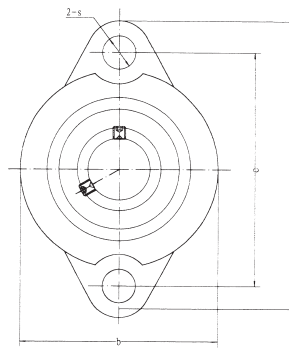
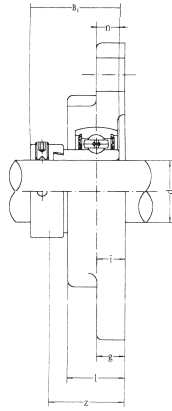
Unit No.	Dimensions <sup>mm</sup> / <sub>inch</sub>																Bearing No.	Housing No.	Weight (kg)
	d	O	g	p	q	s	b	k	e	a	w	l	j	h	B <sub>1</sub>	n			
UCT X05	25	16	12	56	37	22	57	12	89	102	113	28	37	70	38.1	15.9	UC X05	TX05	1.4
UCT X05-13	1 <sup>3</sup> / <sub>16</sub>																UC X05-13		
UCT X05-14	7/8	5/8	15/32	2-7/32	1-15/32	55/64	2-1/4	0.472	3-1/2	4-1/64	4-29/64	1-3/32	1-29/64	2-3/4	1.5000	0.626	UC X05-14		
UCT X05-15	15/16																UC X05-15		
UCT X05-16	1																UC X05-16		
UCT X06	30	16	15	64	37	22	64	12	89	102	129	30	37	78	42.9	17.5	UC X06	TX06	1.8
UCT X06-17	1-1/16																UC X06-17		
UCT X06-18	1-1/8	5/8	19/32	2-33/64	1-29/64	55/64	2-33/64	0.472	3-1/2	4-1/64	5-5/64	1-3/16	1-29/64	3-5/64	1.6890	0.689	UC X06-18		
UCT X06-19	1-3/16																UC X06-19		
UCT X06-20	1-1/4																UC X06-20		
UCT X07	35	19	17	83	49	29	83	16	102	114	144	36	49	88	49.2	19	UC X07	TX07	2.6
UCT X07-21	1-5/16																UC X07-21		
UCT X07-22	1-3/8	3/4	21/32	3-17/64	1-15/16	1-9/64	3-17/64	0.630	4-1/64	4-31/64	5-43/64	1-13/32	1-15/16	3-15/32	1.9370	0.748	UC X07-22		
UCT X07-23	1-7/16																UC X07-23		
UCT X08	40	19	17	83	49	29	83	16	102	117	144	36	49	87	49.2	19	UC X08		
UCT X08-24	1-1/2	3/4	21/32	3-17/64	1-15/16	1-9/64	3-17/64	0.630	4-1/64	4-39/64	5-43/64	1-13/32	1-15/16	3-27/64	1.9370	0.748	UC X08-24		
UCT X08-25	1-9/16																UC X08-25		
UCT X09	45	19	18	83	49	29	86	16	102	117	151	38	49	92	51.6	19	UC X09	TX09	2.8
UCT X09-26	1-5/8																UC X09-26		
UCT X09-27	1-11/16	3/4	23/32	3-17/64	1-15/16	1-9/64	3-25/64	0.630	4-1/64	4-39/64	5-15/16	1-1/2	1-15/16	3-5/8	2.0315	0.748	UC X09-27		
UCT X09-28	1-3/4																UC X09-28		
UCT X09-29	1-13/16																UC X09-29		
UCT X10	50	25	21	102	64	35	95	22	130	146	171	42	64	106	55.6	22.2	UC X10	TX10	4.3
UCT X10-30	1-7/8																UC X10-30		
UCT X10-31	1-15/16	63/64	13/16	4-1/64	2-1/32	1-3/8	3-3/4	0.866	5-1/8	5-3/4	6-47/64	1-21/32	2-33/64	4-11/64	2.1890	0.874	UC X10-31		
UCT X10-32	2																UC X10-32		
UCT X11	55	32	21	102	64	35	102	22	130	146	194	44	64	119	65.1	25.4	UC X11	TX11	5.2
UCT X11-33	2-1/16																UC X11-33		
UCT X11-34	2-1/8																UC X11-34		
UCT X11-35	2-3/16	1-17/64	13/16	4-1/64	2-1/32	1-3/8	4-1/64	0.866	5-1/8	5-3/4	7-41/64	1-23/32	2-33/64	4-11/16	2.5630	1.000	UC X11-35		
UCT X11-36	2-1/4																UC X11-36		
UCT X11-37	2-5/16																UC X11-37		
UCT X12	60	32	23	111	70	41	121	26	151	167	224	48	70	137	65.1	25.4	UC X12	TX12	7.6
UCT X12-38	2-3/8	1-17/64	29/32	4-3/8	2-3/4	1-39/64	4-49/64	1.024	5-15/16	6-37/64	8-13/16	1-57/64	2-3/4	5-25/64	2.5630	1.000	UC X12-38		
UCT X12-39	2-7/16																UC X12-39		
UCT X13	65	32	23	111	70	41	121	26	151	167	224	48	70	137	74.6	30.2	UC X13	TX13	7.6
UCT X13-40	2-1/2	1-17/64	29/32	4-3/8	2-3/4	1-39/64	4-49/64	1.024	5-15/16	6-37/64	8-13/16	1-57/64	2-3/4	5-25/64	2.9370	1.189	UC X13-40		
UCT X13-41	2-9/16																UC X13-41		
UCT X14	70	32	23	111	70	41	121	26	151	167	232	48	70	140	77.8	33.3	UC X14	TX14	7.7
UCT X14-42	2-5/8																UC X14-42		
UCT X14-43	2-11/16	1-17/64	29/32	4-3/8	2-3/4	1-39/64	4-49/64	1.024	5-15/16	6-37/64	9-9/64	1-57/64	2-3/4	5-39/64	3.0630	1.311	UC X14-43		
UCT X14-44	2-3/4																UC X14-44		
UCT X15	75	32	23	111	70	41	121	28	165	184	235	48	70	140	82.6	33.3	UC X15	TX15	7.55
UCT X15-45	2-13/16																UC X15-45		
UCT X15-46	2-7/8	1-17/64	29/32	4-3/8	2-3/4	1-39/64	4-49/64	1.102	6-1/2	7-1/4	9-1/4	1-57/64	2-3/4	5-33/64	3.2520	1.311	UC X15-46		
UCT X15-47	2-15/16																UC X15-47		
UCT X15-48	3																UC X15-48		
UCT X16	80	38	30	124	73	48	157	28	173	198	260	54	73	162	85.7	34.1	UC X16	TX16	11
UCT X16-49	3-1/16																UC X16-49		
UCT X16-50	3-1/8	1-1/2	1-3/16	4-7/8	2-7/8	1-57/64	6-3/16	1.102	6-13/16	7-51/64	10-15/64	2-1/8	2-7/8	6-3/8	3.3740	1.343	UC X16-50		
UCT X16-51	3-1/16																UC X16-51		
UCT X16-52	3-1/4																UC X16-52		
UCT X17	85	38	30	124	73	48	157	28	173	198	560	54	73	162	96	39.7	UC X17	TX17	12
UCT X17-53	3-5/16	1-1/2	1-3/16	4-7/8	2-7/8	1-57/64	6-3/16	1.102	6-13/16	7-51/64	10-15/64	2-1/8	2-7/8	6-3/8	3.7795	1.5630	UC X17-53		
UCT X17-55	3-7/16																UC X17-55		





## SALF 2, SBLF 2 Series

## Flange Units



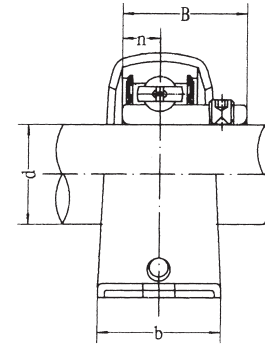
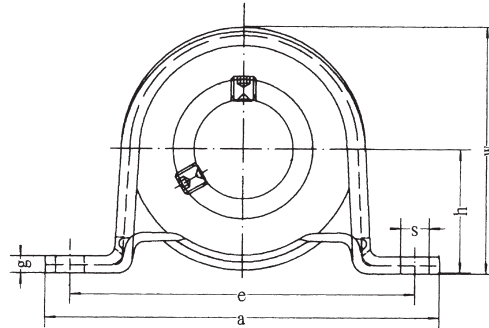
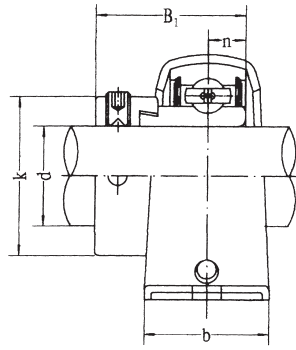
Bearing Unit / Insert

Unit No.	Dimensions mm inch								Bearing Size mm inch	SALF				SALF				Housing No.		
	d	a	e	b	i	s	g	l		z	B <sub>1</sub>	n	Bearing No.	Weight (kg)	z	B	n		Bearing no.	Weight (kg)
<b>SALF 201</b> <b>SBLF</b>	12	81	63.5	56	9.5	8	9.5	18	M6	31.6	28.6	6.5	<b>SA 201</b>		25.5	22	6	<b>SB 201</b>	0.3	
201-8	3/4												<b>SA 201-8</b>					<b>SB 201-8</b>		
202	15												<b>SA 202</b>					<b>SB 202</b>		
202-9	9/16	3-3/16	2-1/2	2-13/64	3/8	5/16	3/8	45/64	1/4	1-1/4	1.1260	0.2559	<b>SA 202-9</b>	0.3	1	0.8661	0.2362	<b>SB 202-9</b>		
202-10	5/8												<b>SA 202-10</b>					<b>SB 202-10</b>		
203	17												<b>SA 203</b>					<b>SB 203</b>		
203-11	11/16												<b>SA 203-11</b>					<b>SB 203-11</b>		
<b>SALF 204</b> <b>SBLF</b>	20	90	71.5	61	11	10	11	20	M8	34.5	31	7.5	<b>SA 204</b>		29	25	7	<b>SB 204</b>	0.3	
204-12	3/4	3-35/64	2-13/16	2-13/32	7/16	25/64	7/16	25/32	5/16	1-23/64	1.2204	0.2953	<b>SA 204-12</b>	0.4	1-9/64	0.9843	0.2756	<b>SB 204-12</b>		
<b>SALF 205</b> <b>SBLF</b>	25	95	76	64	11	10	11	20	M8	34.5	31	7.5	<b>SA 205</b>		30.5	27	7.5	<b>SB 205</b>	0.4	
205-13	13/16												<b>SA 205-13</b>					<b>SB 205-13</b>		
205-14	7/8	3-3/4	2-63/64	2-33/64	7/16	25/64	7/16	25/32	5/16	1-23/64	1.2204	0.2953	<b>SA 205-14</b>	0.5	1-13/64	1.0630	0.2953	<b>SB 205-14</b>		
205-15	15/16												<b>SA 205-15</b>					<b>SB 205-15</b>		
205-16	1												<b>SA 205-16</b>					<b>SB 205-16</b>		
<b>SALF 206</b> <b>SBLF</b>	30	113	90.5	76	12	12	12	22.5	M10	38.7	35.7	9	<b>SA 206</b>		34	30	8	<b>SB 206</b>	0.6	
206-17	1-1/16												<b>SA 206-17</b>					<b>SB 206-17</b>		
206-18	1-1/8	4-7/16	3-9/16	3	15/32	15/32	15/32	57/64	3/8	1-33/64	1.4055	0.3543	<b>SA 206-18</b>	0.7	1-11/32	1.1811	0.3150	<b>SB 206-18</b>		
206-19	1-3/16												<b>SA 206-19</b>					<b>SB 206-19</b>		
206-20	1-1/4												<b>SA 206-20</b>					<b>SB 206-20</b>		
<b>SALF 207</b> <b>SBLF</b>	35	122	100	89	13	12	13	24	M10	42.4	38.9	9.5	<b>SA 207</b>		36.5	32	8.5	<b>SB 207</b>	0.8	
207-20	1-1/4												<b>SA 207-20</b>					<b>SB 207-20</b>		
207-21	1-5/16	4-13/16	3-15/16	3-1/2	33/64	15/32	33/64	61/64	3/8	1-43/64	1.5315	0.3740	<b>SA 207-21</b>	0.9	1-7/16	1.2598	0.3346	<b>SB 207-21</b>		
207-22	1-3/8												<b>SA 207-22</b>					<b>SB 207-22</b>		
207-23	1-7/16												<b>SA 207-23</b>					<b>SB 207-23</b>		

## Pressed Housing Flange Units

## SAPP 2, SBPP 2 Series

Bearing Unit / Insert

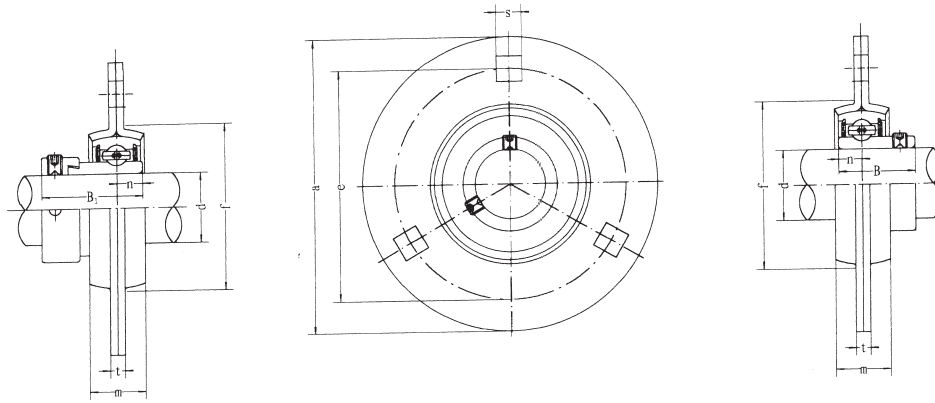


Unit No.	Dimensions mm inch								Bolt Used mm inch	SAPP			SBPP				Housing No.
	d	h	a	e	b	s	g	w		B <sub>1</sub>	n	Bearing No.	Weight (kg)	B	n	Bearing no.	
SAPP 201 SBPP	12	22.2	86	68	25	9.5	3.2	43.8	M8	28.6	6.5	SA 201		22	6	SB 201	
201-8	3/4											SA 201-8				SB 201-8	
202	15											SA 202				SB 202	
202-9	9/16	7/8	3-3/8	2-43/64	63/64	3/8	0.126	1-23/32	5/16	1.1260	0.2559	SA 202-9	0.19	0.8661	0.2362	SB 202-9	0.16
202-10	5/8											SA 202-10				SB 202-10	
203	17											SA 203				SB 203	
203-11	11/16											SA 203-11				SB 203-11	
SAPP 204 SBPP	20	25.4	98	76	32	9.5	3.2	50.5	M8	31	7.5	SA 204		25	7	SB 204	
204-12	3/4	1	3-27/32	2-63/64	1-1/4	3/8	0.126	1-63/64	5/16	1.2204	0.2953	SA 204-12	0.23	0.9843	0.2756	SB 204-12	0.23
SBPP 205 SBPP	25	28.6	108	86	32	11.5	4	56.6	M10	31	7.5	SA 205		27	7.5	SB 205	
205-13	13/16											SA 205-13				SB 205-13	
205-14	7/8	1-1/8	4-1/4	3-25/64	1-1/4	29/64	0.157	2-15/64	3/8	1.2204	0.2953	SA 205-14	0.32	1.0630	0.2953	SB 205-14	0.28
205-15	15/16											SA 205-15				SB 205-15	
205-16	1											SA 205-16				SB 205-16	
SAPP 206 SBPP	30	33.3	117	95	38	11.5	4	66.3	M10	35.7	9	SA 206		30	8	SB 206	
206-17	1-1/16											SA 206-17				SB 206-17	
206-18	1-1/8	1-5/16	4-39/64	3-47/64	1-1/2	29/64	0.157	2-39/64	3/8	1.4055	0.3543	SA 206-18	0.50	1.1811	0.3150	SB 206-18	0.47
206-19	1-3/16											SA 206-19				SB 206-19	
206-20	1-1/4											SA 206-20				SB 206-20	
SAPP 207 SBPP	35	39.7	129	106	42	11.5	4.6	78	M10	38.9	9.5	SA 207		32	8.5	SB 207	
207-20	1-1/4											SA 207-20				SB 207-20	
207-21	1-5/16	1-9/16	5-5/64	4-5/32	1-21/32	29/64	0.181	3-1/8	3/8	1.5315	0.3740	SA 207-21	0.71	1.2598	0.3346	SB 207-21	0.57
207-22	1-3/8											SA 207-22				SB 207-22	
207-23	1-7/16											SA 207-23				SB 207-23	



## SAPF 2, SBPF 2 Series

## Pressed Housing Flange Units



Bearing Unit / Insert

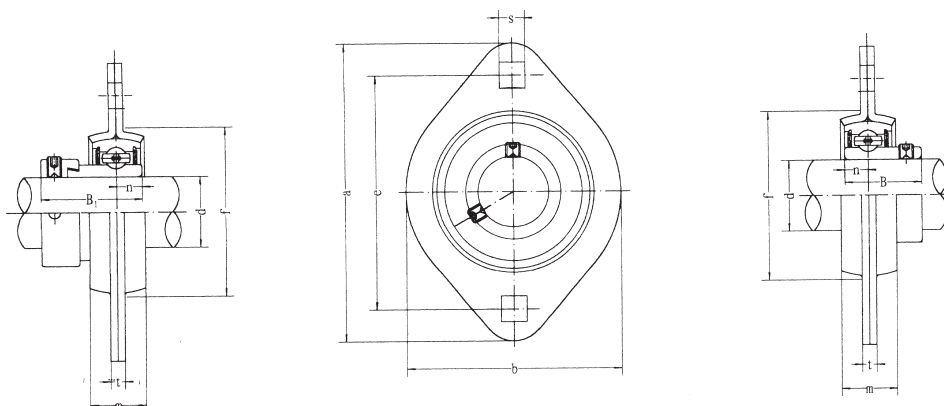
Unit No.	Dimensions <small>mm inch</small>								Bolt Used <small>mm inch</small>	SAPP			SBPP				Housing No.
	d	a	e	m	s	t	f	B <sub>1</sub>		n	Bearing No.	Weight (kg)	B	n	Bearing no.	Weight (kg)	
SAPF SBPF 201-8 202 202-9 202-10 203 203-11	12 3/4 15 9/16 5/8 17 11/16	81	63.5	14	7.1	4	49	M6 1/4	28.6 1.1260	6.5 0.2559	SA 201 SA 201-8 SA 202 SA 202-9 SA 202-10 SA 203 SA 203-11	0.3	22 0.8661	6 0.2362	SB 201 SB 201-8 SB 202 SB 202-9 SB 202-10 SB 203 SB 203-11	0.27	PFL203
SAPF SBPF 204 204-12	20 3/4	90	71.5	16	9	4	56	M8 5/16	31 1.2204	7.5 0.2953	SA 204 SA 204-12	0.33	25 0.9843	7 0.2756	SB 204 SB 204-12	0.33	PF204
SAPF SBPF 205-13 205-14 205-15 205-16	25 13/16 7/8 15/16 1	95	76	18	9	4	60	M8 5/16	31 1.2204	7.5 0.2953	SA 205 SA 205-13 SA 205-14 SA 205-15 SA 205-16	0.42	27 1.0630	7.5 0.2953	SB 205 SB 205-13 SB 205-14 SB 205-15 SB 205-16	0.38	PF205
SAPF SBPF 206-17 206-18 206-19 206-20	30 1-1/16 1-1/8 1-3/16 1-1/4	113	90.5	18	11	5.2	71	M10 3/8	35.7 1.4055	9 0.3543	SA 206 SA 206-17 SA 206-18 SA 206-19 SA 206-20	0.65	30 1.1811	8 0.3150	SB 206 SB 206-17 SB 206-18 SB 206-19 SB 206-20	0.62	PF206
SAPF SBPF 207-20 207-21 207-22 207-23	35 1-1/4 1-5/16 1-3/8 1-7/16	122	100	20	11	5.2	81	M10 3/8	38.9 1.5315	9.5 0.3740	SA 207 SA 207-20 SA 207-21 SA 207-22 SA 207-23	0.9	32 1.2598	8.5 0.3346	SB 207 SB 207-20 SB 207-21 SB 207-22 SB 207-23	0.82	PF207
SAPF SBPF 208-24 208-25	40 1-1/2 1-9/16	148	119	21	13.5	6.8	91	M12 1/2	43.7 1.7205	11 0.4331	SA 208 SA 208-24 SA 208-25	1.15	34 1.3386	9 0.3543	SB 208 SB 208-24 SB 208-25	1.1	PF208 <sup>1</sup>

<sup>1)</sup> PF208, with 4 Bolts

## Pressed Housing Flange Units

## SAPFL 2, SBPFL 2 Series

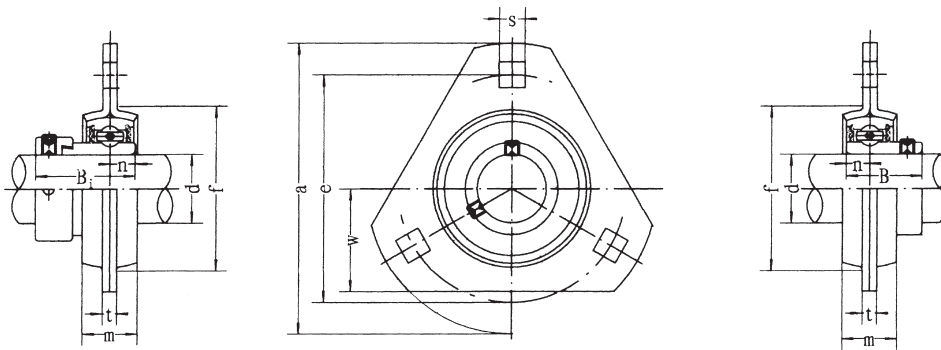
Bearing Unit / Insert



Unit No.	Dimensions mm inch								Bolt Used mm inch	SAPP			SBPP				Housing No.	
	d	a	e	b	m	s	t	f (mm)		B <sub>1</sub>	n	Bearing No.	Weight (kg)	B	n	Bearing no.		Weight (kg)
SAPFL SBPFL 201	12	81	63.5	59	14	7.1	4	49	M6	28.6	6.5	SA 201		22	6	SB 201		
201-8	3/4											SA 201-8				SB 201-8		
202	15											SA 202				SB 202		
202-9	9/16	3-3/16	2-1/12	2-21/64	9/16	1-59/64	0.157	1-59/64	1/4	1.1260	0.2559	SA 202-9	0.22	0.8661	0.2362	SB 202-9	0.19	PFL203
202-10	5/8											SA 202-10				SB 202-10		
203	17											SA 203				SB 203		
203-11	11/16											SA 203-11				SB 203-11		
SAPFL SAPFL 204	20	90	71.5	67	16	9	4	56	M8	31	7.5	SA 204		25	7	SB 204		
204-12	3/4	3-35/64	2-13/16	2-41/64	5/8	23/64	0.157	2-13/64	5/16	1.2204	0.2953	SA 204-12	0.24	0.9843	0.2756	SB 204-12	0.24	PFL204
SBPFL SBPFL 205	25	95	76	71	18	9	4	60	M8	31	7.5	SA 205		27	7.5	SB 205		
205-13	13/16											SA 205-13				SB 205-13		
205-14	7/8	3-3/4	2-63/64	2-51/64	23/32	23/64	0.157	2-23/64	5/16	1.2204	0.2953	SA 205-14	0.32	1.0630	0.2953	SB 205-14	0.28	PFL205
205-15	15/16											SA 205-15				SB 205-15		
205-16	1											SA 205-16				SB 205-16		
SAPFL SBPFL 206	30	113	90.5	84	18	11	5.2	71	M10	35.7	9	SA 206		30	8	SB 206		
206-17	1-1/16											SA 206-17				SB 206-17		
206-18	1-1/8	4-7/16	3-9/16	3-5/16	23/32	7/16	0.205	2-51/64	3/8	1.4055	0.3543	SA 206-18	0.41	1.1811	0.3150	SB 206-18	0.38	PFL206
206-19	1-3/16											SA 206-19				SB 206-19		
206-20	1-1/4											SA 206-20				SB 206-20		
SAPFL SBPFL 207	35	122	100	94	20	11	5.2	81	M10	38.9	9.5	SA 207		32	8.5	SB 207		
207-20	1-1/4											SA 207-20				SB 207-20		
207-21	1-5/16	4-13/16	3-15/16	3-45/64	25/32	7/16	0.205	3-3/16	3/8	1.5315	0.3740	SA 207-21	0.52	1.2598	0.3346	SB 207-21	0.50	PFL207
207-22	1-3/8											SA 207-22				SB 207-22		
207-23	1-7/16											SA 207-23				SB 207-23		
SAPFL SBPFL 208	40	148	119	100	21	13.5	6.8	91	M12	43.7	11	SA 208		34	9	SB 208		
208-24	1-1/2											SA 208-24	0.83			SB 208-24	0.80	PFL208
208-25	1-9/16	5-13/16	4-11/16	3-15/16	13/16	17/32	0.268	3-37/64	1/2	1.7205	0.4331	SA 208-25		1.3386	0.3543	SB 208-25		

## SAPFT 2, SBPFT 2 Series

## Pressed Housing Flange Units



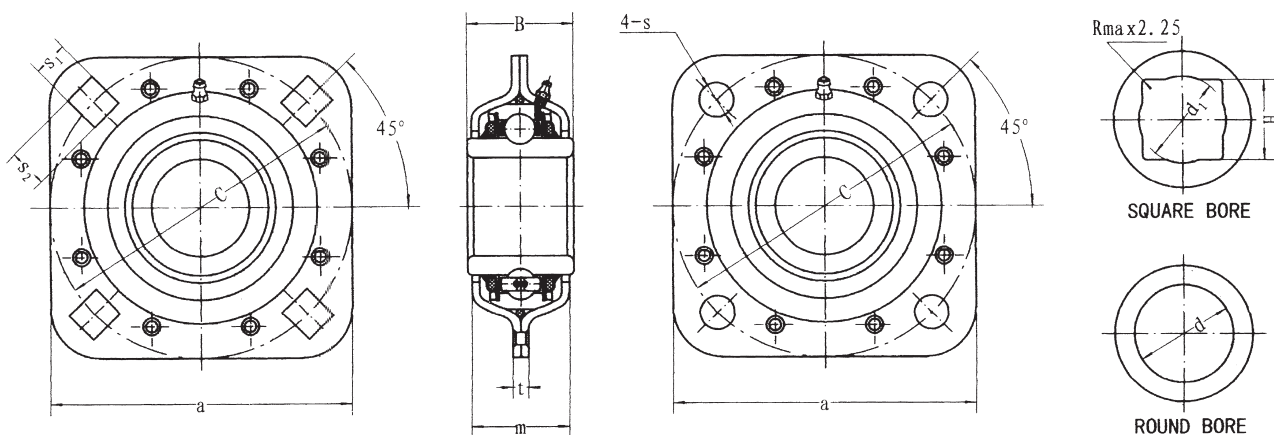
Bearing Unit / Insert

Unit No.	Dimensions <small>mm inch</small>								Bolt Used <small>mm inch</small>	SAPFT			SBPFT				Housing No.
	d	a	e	w	m	s	t	f (mm)		B <sub>1</sub>	n	Bearing No.	Weight (kg)	B	n	Bearing no.	
SAPFT 201 SBPFT	12	81	63.5	28.5	14	7.1	4	49	M6	28.6	6.5	SA 201		22	6	SB 201	
201-8	3/4											SA 201-8				SB 201-8	
202	15											SA 202				SB 202	
202-9	9/16	3-3/16	2-1/2	1-1/8	9/16	9/32	0.157	1-59/64	1/4	1.1260	0.2559	SA 202-9	0.26	0.8661	0.2362	SB 202-9	0.23
202-10	5/8											SA 202-10				SB 202-10	
203	17											SA 203				SB 203	
203-11	11/16											SA 203-11				SB 203-11	
SAPFT 204 SBPFT	20	90	71.5	33	16	9	4	56	M8	31	7.5	SA 204		25	7	SB 204	
204-12	3/4	3-35/64	2-13/16	1-19/64	5/8	23/64	0.157	2-13/64	5/16	1.2204	0.2953	SA 204-12	0.28	0.9843	0.2756	SB 204-12	0.28
SBPFL 205 SBPFL	25	95	76	35	18	9	4	60	M8	31	7.5	SA 205		27	7.5	SB 205	
205-13	13/16											SA 205-13				SB 205-13	
205-14	7/8	3-3/4	2-63/64	1-3/8	23/32	23/64	0.157	2-23/64	5/16	1.2204	0.2953	SA 205-14	0.36	1.0630	0.2953	SB 205-14	0.36
205-15	15/16											SA 205-15				SB 205-15	
205-16	1											SA 205-16				SB 205-16	
SAPFT 206 SBPFT	30	113	90.5	40	18	11	5.2	71	M10	35.7	9	SA 206		30	8	SB 206	
206-17	1-1/16											SA 206-17				SB 206-17	
206-18	1-1/8	4-7/16	3-9/16	1-37/64	23/32	7/16	0.205	2-51/64	3/8	1.4055	0.3543	SA 206-18	0.58	1.1811	0.3150	SB 206-18	0.55
206-19	1-3/16											SA 206-19				SB 206-19	
206-20	1-1/4											SA 206-20				SB 206-20	
SAPFT 207 SBPFT	35	122	100	44.5	20	11	5.2	81	M10	38.9	9.5	SA 207		32	8.5	SB 207	
207-20	1-1/4											SA 207-20				SB 207-20	
207-21	1-5/16	4-13/16	3-15/16	1-3/4	25/32	7/16	0.205	3-3/16	3/8	1.5315	0.3740	SA 207-21	0.82	1.2598	0.3346	SB 207-21	0.74
207-22	1-3/8											SA 207-22				SB 207-22	
207-23	1-7/16											SA 207-23				SB 207-23	

## Disk Harrow Units

## SF Series

Bearing Unit / Insert

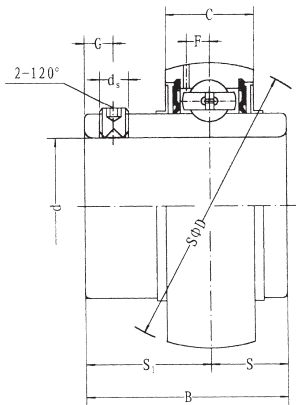


Unit No.	Dimensions <small>mm inch</small>											C (KN) Dynamic	Co (KN) Static
	H	d	a	B	m	t	C	s	S <sub>1</sub>	S <sub>2</sub>	d <sub>1</sub>		
ST 209-1-1/8	29.972	-	127	42.8	42	6	127	13.5	13.5	17.45	32.0	24.36	17.71
ST 209-30S	31.353	-	127	42.8	42	6	127	13.5	13.5	17.45	34.5	24.36	17.71
ST 209-1-1/4	32.766	-	127	42.8	42	6	127	13.5	13.5	17.45	34.5	24.36	17.71
ST 491B	-	38.860	127	42.8	42	6	127	13.5	13.5	17.45	-	24.36	17.71
ST 209-40R	-	40.878	127	42.8	42	6	127	13.5	13.5	17.45	-	24.36	17.71
ST 491A	-	45.000	127	42.8	42	6	127	13.5	13.5	17.45	-	24.36	17.71
ST 209-45R	-	45.340	127	42.8	42	6	127	13.5	13.5	17.45	-	24.36	17.71
ST 491A <sup>1)</sup>	-	45.000	121	46	42	6	121	13.5	13.5	17.45	-	24.36	17.71
ST 211-1-1/2	38.890	-	139.7	50.8	46	8	139.7	13.5	13.5	17.45	42.0	33.37	25.11
ST 211-40S	40.878	-	139.7	50.8	46	8	139.7	13.5	13.5	17.45	43.1	33.37	25.11
ST 211-50R	-	50.400	139.7	50.8	46	8	139.7	13.5	13.5	17.45	-	33.37	25.11
ST 211-55R	-	55.575	139.7	50.8	46	8	139.7	13.5	13.5	17.45	-	33.37	25.11
ST 211-1-3/4	-	45.212	139.7	55.6	46	8	139.7	13.5	13.5	17.45	-	33.37	25.11
ST 211-2-3/16	-	55.575	139.7	55.6	46	8	139.7	13.5	13.5	17.45	-	33.37	25.11
ST 211-1-15/16	-	49.238	139.7	69.9	46	8	139.7	13.5	13.5	17.45	-	33.37	25.11
ST 211	-	55.000	139.7	55.6	46	8	139.7	13.5	13.5	17.45	-	33.37	25.11
ST 740	-	55.562	139.7	55.6	45	7	139.7	13.5	13.5	17.45	-	33.37	25.11

<sup>1)</sup> Special Dimensions

## UC 2 Series

## Bearing Inserts



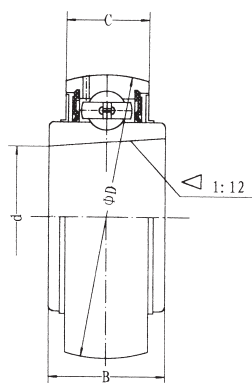
Bearing Unit / Insert

Bearing No.	Dimensions <sup>mm</sup> / <sub>inch</sub>									Basic Load Rating (N)		Weight (kg)
	d	D	B	C	S	S <sub>1</sub>	G	d <sub>s</sub>	F	Dynamic	Static	
*UC 201	12	47	31	17	12.7	18.3	4.8	M6 x 1	3.7	9880	6200	0.20
*UC 201-8	3/4	1.8504	1.2205	0.6693	0.500	0.720	0.189	1/4-28UNF	0.146			0.19
*UC 202	15	47	31	17	12.7	18.3	4.8	M6 x 1	3.7	9880	6200	0.19
*UC 202-9	9/16	1.8504	1.2205	0.6693	0.500	0.720	0.189	1/4-28UNF	0.146			0.19
*UC 202-10	5/8											0.19
*UC 203	17	47	31	17	12.7	18.3	4.8	M6 x 1	3.7	9800	6200	0.18
*UC 203-11	11/16	1.8504	1.2205	0.6693	0.500	0.720	0.189	1/4-28UNF	0.146			0.17
*UC 204	20	47	31	17	12.7	18.3	4.8	M6 x 1	3.7	9800	6200	0.16
*UC 204-12	3/4	1.8504	1.2205	0.6693	0.500	0.720	0.189	1/4-28UNF	0.146			0.16
*UC 205	25	52	34.1	17	14.3	19.8	5	M6 x 1	3.9	10780	6980	0.20
*UC 205-13	13/16											0.24
*UC 205-14	7/8	2.00472	1.3425	0.6693	0.563	0.780	0.197	1/4-28UNF	0.154			0.23
*UC 205-15	15/16											0.21
*UC 205-16	1											0.20
*UC 206	30	62	38.1	19	15.9	22.2	5	M6 x 1	5.0	14970	10040	0.32
*UC 206-17	1-1/16											0.33
*UC 206-18	1-1/8	2.4409	1.5000	0.7480	0.626	0.874	0.197	1/4-28UNF	0.197			0.34
*UC 206-19	1-3/16											0.32
*UC 206-20	1-1/4											0.31
*UC 207	35	72	42.9	20	17.5	25.4	7	M8 x 1	5.7	19750	13670	0.48
*UC 207-20	1-1/4											0.54
*UC 207-21	1-5/16	2.8346	1.6890	0.7874	0.689	1.000	0.276	5/16-24UNF	0.224			0.51
*UC 207-22	1-3/8											0.48
*UC 207-23	1-7/16											0.45
*UC 208	40	80	49.2	21	19	30.2	8	M8 x 1	6.2	22710	15940	0.64
*UC 208-24	1-1/2	3.1496	1.9370	0.8268	0.748	1.189	0.315	5/16-24UNF	0.244			0.68
*UC 208-25	1-9/16											0.65
*UC 209	45	85	49.2	22	19	30.2	8	M8 x 1	6.4	24360	17710	0.68
*UC 209-26	1-5/8											0.78
*UC 209-27	1-11/16	3.3465	1.9370	0.8661	0.748	1.189	0.315	5/16-24UNF	0.252			0.74
*UC 209-28	1-3/4											0.70
*UC 210	50	90	51.6	24	19	32.6	10	M10 x 1	6.5	26980	19840	0.80
*UC 210-29	1-13/16											0.92
*UC 210-30	1-7/8	3.5433	2.0315	0.9449	0.748	1.283	0.394	3/8-24UNF	0.256			0.87
*UC 210-31	1-15/16											0.82
*UC 210-32	2											0.78
*UC 211	55	100	55.6	25	22.2	33.4	10	M10 x 1	7.0	33370	25110	1.11
*UC 211-32	2											1.26
*UC 211-33	2-1/16											1.20
*UC 211-34	2-1/8	3.9370	2.1890	0.9843	0.874	1.315	0.394	3/8-24UNF	0.276			1.15
*UC 211-35	2-3/16											1.09
*UC 212	60	110	65.1	27	25.4	39.7	10	M10 x 1	7.6	36740	27970	1.54
*UC 212-36	2-1/4											1.67
*UC 212-37	2-5/16	4.3307	2.5630	1.0630	1.000	1.563	0.394	3/8-24UNF	0.299			1.59
*UC 212-38	2-3/8											1.52
*UC 212-39	2-7/16											1.45
UC 213	65	120	65.1	28	25.4	39.7	10	M10 x 1	8.5	44010	34180	1.85
UC 213-40	2-1/2	4.3307	2.5630	1.1024	1.000	1.563	0.394	3/8-24UNF	0.335			1.94
UC 213-41	2-9/16											1.85
UC 214	70	125	74.6	29	30.2	44.4	12	M12 x 1.5	8.9	46790	37590	2.05
UC 214-42	2-5/8											2.26
UC 214-43	2-11/16	4.9213	2.9370	1.1417	1.189	1.748	0.472	7/16-20UNF	0.350			2.16
UC 214-44	2-3/4											2.06
UC 215	75	130	77.8	30	33.3	44.5	12	M12 x 1.5	9.2	50850	41260	2.21
UC 215-45	2-13/16											2.46
UC 215-46	2-7/8	5.1181	3.0630	1.1811	1.311	1.752	0.472	7/16-20UNF	0.362			2.35
UC 215-47	2-15/16											2.24
UC 215-48	3											2.12
UC 216	80	140	82.6	32	33.3	49.3	12	M12 x 1.5	9.5	55040	45090	2.80
UC 216-49	3-1/16											2.98
UC 216-50	3-1/8	5.5118	3.2520	1.2598	1.311	1.9409	0.472	7/16-20UNF	0.374			2.85
UC 216-51	3-3/16											2.72
UC 217	85	150	85.7	34	34.1	51.6	12	M12 x 1.5	10.2	64010	53280	3.46
UC 217-52	3-1/4											3.68
UC 217-53	3-5/16	5.9055	3.3740	1.3386	1.343	2.031	0.472	7/16-20UNF	0.402			3.54
UC 217-55	3-7/16											3.25
UC 218	90	160	96	36	39.7	56.3	12	M12 x 1.5	11.2	73830	60760	4.36
UC 218-56	3-1/2	6.2992	3.7795	1.4173	1.5630	2.217	0.472	1/2-20UNF	0.441			4.47

\* Add SS in front of the bearing no. for stainless steel bearing. (Eg. SSUC 205)

## Bearing Inserts (with Adapter mounted)

## UK 2 Series

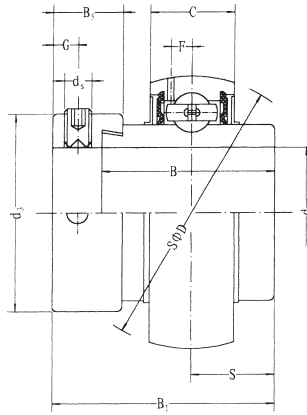


Bearing Unit / Insert

Bearing No.	Dimensions <sup>mm</sup> / <sub>inch</sub>				Basic Load Rating (N)		Weight (kg)
	d	D	B	C	Dynamic	Static	
UK 205	25	52	23	17	10780	6980	0.25
	0.9843	2.0472	0.9055	0.6693			
UK 206	30	62	26	19	14970	10040	0.36
	1.1811	2.4409	1.0236	0.7480			
UK 207	35	72	29	20	19750	13670	0.57
	1.3780	2.8346	1.1417	0.7874			
UK 208	40	80	31	21	22710	15940	0.74
	1.5748	3.1496	1.2205	0.8268			
UK 209	45	85	31	22	24360	17710	0.83
	1.7717	3.3465	1.2205	0.8661			
UK 210	50	90	32	24	26980	19840	0.97
	1.96685	3.5433	1.2598	1.2598			
UK 211	55	100	35	25	33370	25110	1.26
	2.1654	3.9370	1.3780	0.9843			
UK 212	60	110	38	27	36740	27970	1.59
	2.3622	4.3307	1.4961	1.0630			
UK 213	65	120	40	25	36740	27970	1.59
	2.3622	4.3307	1.4961	1.0630			
UK 213	65	120	40	28	44010	34180	1.76
	2.5591	4.7244	1.5748	1.1024			
UK 215	75	130	44	30	50850	41260	2.32
	2.9528	5.1181	1.7323	1.1811			
UK 216	80	140	45	32	55040	45090	3.06
	3.1496	5.5118	1.7717	1.2598			
UK 217	85	150	46	34	64010	53280	3.88
	3.3465	5.9055	1.18110	1.3386			
UK 218	90	160	47	36	73830	60760	4.74
	3.5433	6.2992	1.8504	1.4173			

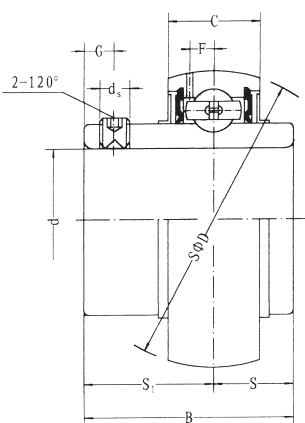
## NA 2 Series

## Bearing Inserts (with Eccentric Locking Collar)



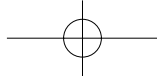
Bearing Unit / Insert

Bearing No.	Dimensions <small>mm</small> <small>inch</small>											Basic Load Rating (N)		Weight (kg)
	d	D	B <sub>1</sub>	B	C	S	d <sub>3</sub>	G	B <sub>5</sub>	d <sub>3</sub>	F	Dynamic	Static	
NA 204	20	47	43.7	34.2	17	17.1	M6 X 1	4.8	13.5	33.3	3.7	9880	6200	0.23
NA 204-12	3/4	1.8504	1.720	1.3465	0.6693	0.673	1/4-28UNF	0.189	0.531	1.311	0.146			0.23
NA 205	25	52	44.4	34.9	17	17.5	M6 X 1	4.8	13.5	38.1	3.9			0.27
NA 205-13	13/16													0.32
NA 205-14	7/8													0.31
NA 205-15	15/16	2.0472	1.748	1.3740	0.6693	0.689	1/4-28UNF	0.189	0.531	1.500	0.154	10780	6980	0.29
NA 205-16	1													0.27
NA 206	30	62	48.4	36.5	19	18.3	M8 X 1	6	15.9	44.5	5.0			0.45
NA 206-17	1-1/16													0.50
NA 206-18	1-1/8	2.4409	1.906	1.4370	0.7480	0.720	5/16-24UNF	0.236	0.626	1.752	0.197	14970	10040	0.47
NA 206-19	1-3/16													0.45
NA 206-20	1-1/4													0.42
NA 207	35	72	51.1	37.6	20	18.8	M8 X 1	6.8	17.5	55.6	5.7			0.60
NA 207-20	1-1/4													0.67
NA 207-21	1-5/16	2.8346	2.012	1.4803	0.7874	0.740	5/16-24UNF	0.268	0.689	2.189	0.224	19750	13670	0.63
NA 207-22	1-3/8													0.60
NA 207-23	1-7/16													0.57
NA 208	40	80	56.3	42.8	21	21.4	M8 X 1	6.8	18.3	60.3	6.2			0.79
NA 208-24	1-1/2	3.1496	2.217	1.6850	0.8268	0.843	5/16-24UNF	0.268	0.720	2.374	0.244	22710	15940	0.84
NA 208-25	1-9/16													0.80
NA 209	45	85	56.3	42.8	22	21.4	M8 X 1	6.8	18.3	63.5	6.4			0.85
NA 209-26	1-5/8													0.96
NA 209-27	1-11/16	3.3465	2.217	1.6850	0.8661	0.843	5/16-24UNF	0.268	0.720	2.5000	0.252	24360	17710	0.91
NA 209-28	1-3/4													0.87
NA 210	50	90	62.7	49.2	24	24.6	M8 X 1	6.8	18.3	69.9	6.5			0.99
NA 210-29	1-13/16													1.14
NA 210-30	1-7/8	3.5433	2.469	1.9370	0.9449	0.969	5/16-24UNF	0.268	0.720	2.752	0.256	26980	19840	1.08
NA 210-31	1-15/16													1.02
NA 210-32	2													0.96
NA 211	55	100	71.4	55.5	25	27.8	M10 X 1	8	20.7	76.2	7.0			1.32
NA 211-32	2													1.52
NA 211-33	2-1/16	3.9370	2.811	2.1850	0.9843	1.094	3/8-24UNF	0.315	0.815	3.000	0.276	33370	25110	1.44
NA 211-34	2-1/8													1.37
NA 211-35	2-3/16													1.29
NA 212	60	110	77.8	61.9	27	31	M10 X 1	8	22.3	84.2	7.6			1.88
NA 212-36	2-1/4													2.04
NA 212-37	2-5/16	4.3307	3.063	2.4370	1.0630	1.220	3/8-24UNF	0.315	0.878	3.315	0.299	36740	27970	1.95
NA 212-38	2-3/8													1.90
NA 212-39	2-7/16													1.77
NA 213	65	120	85.7	68.6	28	34.1	M10 X 1	8.5	23.5	86	8.5			2.41
NA 213-40	2-1/2	4.7244	3.374	2.7008	1.1024	1.343	3/8-24UNF	0.335	0.925	3.386	0.335	44010	34180	2.51
NA 213-41	2-9/16													2.40
NA 214	70	125	85.7	68.6	29	34.1	M10 X 1	8.5	23.5	90	8.9			2.55
NA 214-42	2-3/8													2.79
NA 214-43	2-11/16	4.9213	3.374	2.7008	1.1417	1.343	3/8-24UNF	0.335	0.925	3.543	0.350	46790	37590	2.68
NA 214-44	2-3/4													2.56
NA 215	75	130	92.1	75	30	37.3	M10 X 1	8.5	23.5	102	9.2			2.84
NA 215-45	2-13/16													3.14
NA 215-46	2-7/8	5.1181	3.626	2.9528	1.1811	1.469	3/8-24UNF	0.335	0.925	4.016	0.362	50850	41260	3.01
NA 215-47	2-15/16													2.88
NA 215-48	3													2.74



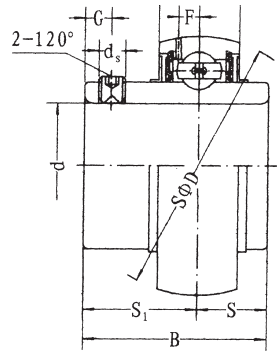
Bearing No.	Dimensions <sup>mm</sup> / <sub>inch</sub>									Basic Load Rating (N)		Weight (kg)
	d	D	B	C	S	S <sub>1</sub>	G	d <sub>s</sub>	F	Dynamic	Static	
UC X05	25	62	38.1	19	15.9	22.2	5	M6X1	5.0			
UC X05-13	<sup>13</sup> / <sub>16</sub>											
UC X05-14	<sup>7</sup> / <sub>8</sub>	2.4409	1.5000	0.7480	0.626	0.874	0.197	<sup>1</sup> / <sub>4</sub> -28UNF	0.197	14970	10040	0.39
UC X05-15	<sup>15</sup> / <sub>16</sub>											
UC X05-16	1											
UC X06	30	72	42.9	20	17.5	25.4	7	M8X1	5.7			
UC X06-17	1- <sup>1</sup> / <sub>16</sub>	2.8346	1.6890	0.7874	0.689	1.000	0.276	<sup>5</sup> / <sub>16</sub> -24UNF	0.224	19750	13670	0.68
UC X06-18	1- <sup>1</sup> / <sub>8</sub>											
UC X06-19	1- <sup>3</sup> / <sub>16</sub>											
UC X07	35	80	49.2	21	19	30.2	8	M8X1	6.2			
UC X07-21	1- <sup>5</sup> / <sub>16</sub>	3.1496	1.9370	0.8268	0.748	1.189	0.315	<sup>5</sup> / <sub>16</sub> -24UNF	0.244	22710	15940	0.82
UC X07-22	1- <sup>3</sup> / <sub>8</sub>											
UC X07-23	1- <sup>7</sup> / <sub>16</sub>											
UC X08	40	85	49.2	22	19	30.2	8	M8X1	6.4			
UC X08-24	1- <sup>1</sup> / <sub>2</sub>	3.3465	1.9370	0.8661	0.748	1.189	0.315	<sup>5</sup> / <sub>16</sub> -24UNF	0.252	24360	17710	0.93
UC X08-25	1- <sup>9</sup> / <sub>16</sub>											
UC X09	45	90	51.6	24	19	32.6	10	M10X1	6.5			
UC X09-26	1- <sup>5</sup> / <sub>8</sub>	3.5433	2.0315	0.9449	0.748	1.283	0.394	<sup>3</sup> / <sub>8</sub> -24UNF	0.256	26980	19840	1.00
UC X09-27	1- <sup>11</sup> / <sub>16</sub>											
UC X09-28	1- <sup>3</sup> / <sub>4</sub>											
UC X10	50	100	55.6	25	22.2	33.4	10	M10X1	7.0			
UC X10-30	1- <sup>7</sup> / <sub>8</sub>	3.9370	2.1890	0.9843	0.874	1.315	0.394	<sup>3</sup> / <sub>8</sub> -24UNF	0.276	33370	25110	1.35
UC X10-31	1- <sup>15</sup> / <sub>16</sub>											
UC X11	55	110	65.1	27	25.4	39.7	10	M10X1	7.6			
UC X11-33	2- <sup>1</sup> / <sub>16</sub>											
UC X11-34	2- <sup>1</sup> / <sub>8</sub>	4.3307	2.5630	1.0630	1.000	1.563	0.394	<sup>3</sup> / <sub>8</sub> -24UNF	0.299	36740	27970	1.90
UC X11-35	2- <sup>3</sup> / <sub>16</sub>											
UC X12	60	120	65.1	28	25.4	39.7	10	M10X1	8.5			
UC X12-38	2- <sup>3</sup> / <sub>8</sub>	4.3307	2.5630	1.1024	1.000	1.563	0.394	<sup>3</sup> / <sub>8</sub> -24UNF	0.335	44010	34180	2.27
UC X12-39	2- <sup>7</sup> / <sub>16</sub>											
UC X13	65	125	74.6	29	30.2	44.4	12	M12X1.5	8.9			
UC X13-40	2- <sup>1</sup> / <sub>2</sub>	4.9213	2.9370	1.1417	1.189	1.748	0.472	<sup>1</sup> / <sub>2</sub> -20UNF	0.350	46790	37590	2.45
UC X13-41	2- <sup>9</sup> / <sub>16</sub>											
UC X14	70	130	77.8	30	33.3	44.5	12	M12X1.5	9.2			
UC X14-42	2- <sup>3</sup> / <sub>8</sub>											
UC X14-43	2- <sup>11</sup> / <sub>16</sub>	5.1181	3.0630	1.1811	1.311	1.752	0.472	<sup>1</sup> / <sub>2</sub> -20UNF	0.362	50850	41260	2.47
UC X14-44	2- <sup>3</sup> / <sub>4</sub>											
UC X15	75	140	82.6	32	33.3	49.3	12	M12X1.5	9.5			
UC X15-45	2- <sup>13</sup> / <sub>16</sub>											
UC X15-46	2- <sup>7</sup> / <sub>8</sub>	5.5118	3.2520	1.2598	1.311	1.9409	0.472	<sup>1</sup> / <sub>2</sub> -20UNF	0.374	55040	45090	3.11
UC X15-47	2- <sup>15</sup> / <sub>16</sub>											
UC X15-48	3											
UC X16	80	150	85.7	34	34.1	51.6	12	M12X1.5	10.2			
UC X16-49	3- <sup>1</sup> / <sub>16</sub>	5.9055	3.3740	1.3386	1.343	2.031	0.472	<sup>1</sup> / <sub>2</sub> -20UNF	0.402	64010	53280	3.79
UC X16-50	3- <sup>1</sup> / <sub>8</sub>											
UC X16-51	3- <sup>3</sup> / <sub>16</sub>											
UC X17	85	160	96	36	39.7	56.3	12	M12X1.5	11.2			
UC X17-53	3- <sup>5</sup> / <sub>16</sub>	6.2992	3.7795	1.4173	1.5630	2.217	0.472	<sup>1</sup> / <sub>2</sub> -20UNF	0.441	73830	60760	4.82
UC X17-55	3- <sup>7</sup> / <sub>16</sub>											





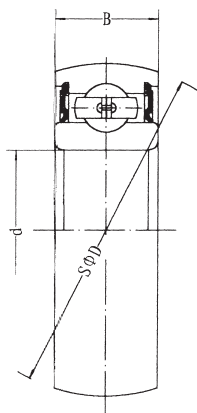
## UC 3 Series

## Bearing Inserts

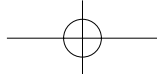


Bearing Unit / Insert

Unit No.	Dimensions <small>mm inch</small>									Basic Load Rating (N)		Weight (kg)
	d	D	B	C	S	S <sub>1</sub>	G	d <sub>s</sub>	F	Dynamic	Static	
UC 305	25	62	38	20	15	23	6	M6 x 1	5.4			0.35
UC 305-13	13/16											0.40
UC 305-14	7/8	2.4409	1.4961	0.7874	0.591	0.906	0.236	1/4-28 UNF	0.213	17220	11930	0.38
UC 305-15	1											0.36
UC 305-16												0.35
UC 306	30	72	43	23	17	26	6	M6 x 1	5.7			0.56
UC 306-17	1-1/16											0.61
UC 306-18	1-1/8	2.8346	1.6929	0.9055	0.669	1.024	0.236	1/4-28 UNF	0.225	20770	14170	0.58
UC 306-19	1-3/16											0.56
UC 307	35	80	48	25	19	29	8	M8 x 1	6.2			0.71
UC 307-20	1-1/4											0.77
UC 307-21	1-5/16	3.1496	1.8898	0.9843	0.748	1.142	0.315	5/16-24 UNF	0.224	25660	17920	0.74
UC 307-22	1-1/8											0.71
UC 307-23	1-7/16											0.68
UC 308	40	90	52	27	19	33	10	M10 x 1	7.0			0.96
UC 308-24	1-1/2	3.5433	2.0472	1.0630	0.748	1.299	0.394	3/8-24 UNF	0.276	31350	22380	1.01
UC 308-25	1-9/16											0.97
UC 309	45	100	57	30	22	35	10	M10 x 1	7.8			1.28
UC 309-26	1-5/8											1.39
UC 309-27	1-11/16	3.9370	2.2441	1.1811	0.866	1.378	0.394	3/8-24UNF	0.307	40660	30000	1.35
UC 309-28	1-3/4											1.30
UC 310	50	110	61	32	22	39	12	M12 x 1.5	8.5			1.65
UC 310-29	1-13/16											1.97
UC 310-30	1-7/8	4.3307	2.4016	1.2598	0.866	1.535	0.472	1/2-20UNF	0.335	47580	35710	1.74
UC 310-31	1-15/16											1.68
UC 311	55	120	66	34	25	41	12	M12 x 1.5	9.2			2.07
UC 311-32	2											2.25
UC 311-33	2-1/16	4.7244	2.5984	1.3386	0.984	1.614	0.472	1/2-20UNF	0.362	55050	41910	2.18
UC 311-34	2-1/8											2.12
UC 311-35	2-3/16											2.04
UC 312	60	130	71	36	26	45	12	M12 x 1.5	9.8			2.60
UC 312-36	2-1/4											2.75
UC 312-37	2-5/16	5.1181	2.7953	1.4173	1.0236	1.772	0.472	1/2-20UNF	0.386	62880	48600	2.67
UC 312-38	2-3/8											2.58
UC 312-39	2-7/16											2.50
UC 316	80	170	86	44	34	52	14	M14 x 1.5	12.5			5.55
UC 316-49	3-1/16											5.72
UC 316-50	3-1/8	6.6929	3.3858	1.7323	1.339	2.047	0.551	9/16-18UNF	0.492	94570	80350	5.58
UC 316-51	3-3/16											5.49
UC 317	85	180	96	46	40	56	16	M16 x 1.5	13.1			6.67
UC 317-52	3-1/4											6.89
UC 317-53	3-5/16	7.0866	3.7795	1.8110	1.575	2.205	0.630	5/8-18UNF	0.516	102050	89520	3.67
UC 317-55	3-7/16											6.44
UC 318	90	190	96	48	40	56	16	M16 x 1.5	13.8			7.56
UC 318-55	3-7/16	7.4803	3.7795	1.8898	1.575	2.205	0.630	5/8-18UNF	0.543	110810	100760	7.85
UC 318-56	3-1/2											7.67
UC 319	95	200	103	50	41	62	16	M16 x 1.5	14.7			8.70
UC 319-58	3-5/8											9.03
UC 319-59	3-11/16	7.8740	4.0551	1.9585	1.614	2.441	0.630	5/8-18UNF	0.579	120510	103750	8.85
UC 319-60	3-3/4											8.66
UC 320	100	215	108	54	42	66	20	M18 x 1.5	15.7			11.18
UC 320-64	4	8.4646	4.2519	2.2160	1.6535	2.5984	0.7874		0.618	170630	137260	11.09

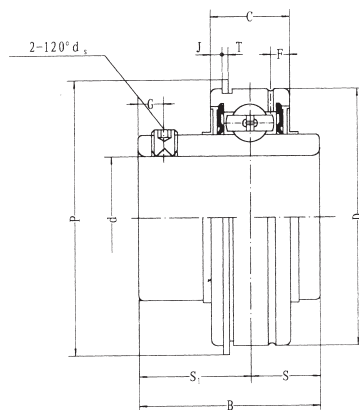


Bearing No.	Dimensions <sup>mm</sup> / <sub>inch</sub>			Basic Load Rating (N)		Weight (kg)
	d	D	B	Dynamic	Static	
CS 200-2RS	10	30	9	520	245	0.030
	0.3937	0.3543	1.1811			
CS 201-2RS	12	32	10	690	310	0.035
	0.4724	0.3937	1.2598			
CS 202-2RS	15	35	11	780	380	0.040
	0.5906	0.4331	1.3780			
CS 203-2RS	17	40	12	7360	4480	0.06
	0.6693	1.5748	0.4724			
CS 204-2RS	20	47	14	9880	6200	0.10
	0.7874	1.8504	0.5512			
CS 205-2RS	25	52	15	10780	6980	0.13
	0.9843	2.0472	0.5906			
CS 206-2RS	30	62	16	14970	10040	0.20
	1.1811	2.4409	0.6299			
CS 207-2RS	35	72	17	19750	13670	0.29
	1.3780	2.8346	0.6693			
CS 208-2RS	40	80	18	22710	15940	0.37
	1.5748	3.1496	0.7087			
CS 209-2RS	45	85	19	24360	17710	0.46
	1.7717	3.3465	0.7480			
CS 210-2RS	50	90	20	26980	19840	0.57
	1.9685	3.5433	0.7874			



## SER 2 Series

## Bearing Inserts (with Snap Ring)



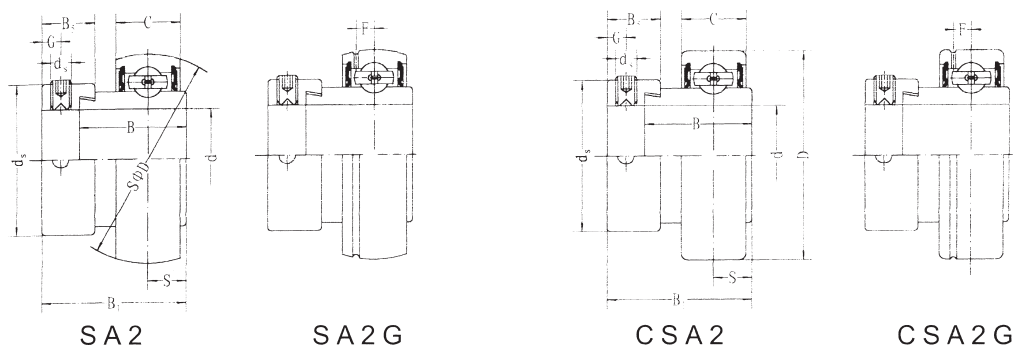
Bearing Unit / Insert

Bearing No.	Dimensions <small>mm inch</small>												Basic Load Rating (N)		Weight (kg)
	d	D	B	C	S	S <sub>1</sub>	T	F	J	P	G	d <sub>2</sub>	Dynamic	Static	
SER 204	20	47	31	15.9	10.3	20.7	1.12	3.8	2.46	52.7	4.8	M6 x 1	9880	6200	0.21
SER 204-12	3/4	1.8504	1.2205	0.6260	0.406	0.815	0.044	0.150	0.097	2.075	0.189	1/4-28UNF			
SER 205	25	52	34.9	19	13.1	21.8	1.12	5.2	2.46	57.9	5	M6 x 1			
SER 205-13	13/16														
SER 205-14	7/8	2.0472	1.3740	0.7480	0.516	0.858	0.044	0.205	0.097	2.280	0.197	1/4-28UNF	10780	6980	0.27
SER 205-15	15/16														
SER 205-16	1														
SER 206	30	62	38.1	22.2	15.9	22.2	1.7	5.6	3.28	67.7	5	M6 x 1			
SER 206-17	1-1/16														
SER 206-18	1-1/8	2.4409	1.5000	0.8740	0.626	0.874	0.067	0.220	0.129	2.665	0.197	1/4-28UNF	14970	10040	0.39
SER 206-19	1-3/16														
SER 206-20	1-1/4														
SER 207	35	72	42.9	23.8	17.5	25.4	1.7	5.6	3.28	78.6	6.7	M8 x 1			
SER 207-20	1-1/4														
SER 207-21	1-5/16	2.8346	1.6890	0.9370	0.689	1.000	0.067	0.220	0.129	3.094	0.264	5/16-24UNF	19750	13760	0.45
SER 207-22	1-3/8														
SER 207-23	1-7/16														
SER 208	40	80	49.2	27.8	19	30.2	1.7	6.4	3.28	86.9	8	M8 x 1			
SER 208-24	1-1/2	3.1496	1.9370	1.0945	0.748	1.189	0.067	0.252	0.129	3.409	0.315	5/16-24UNF	22710	15940	0.81
SER 208-25	1-9/16														
SER 209	45	85	49.2	27.8	19	30.2	1.7	6.4	3.28	91.6	8	M8 x 1			
SER 209-26	1-5/8														
SER 209-27	1-11/16	3.3465	1.9370	1.0945	0.748	1.189	0.067	0.252	0.129	3.606	0.315	5/16-24UNF	24360	17710	0.90
SER 209-28	1-3/4														
SER 210	50	90	51.6	28.6	19	32.6	2.46	7.5	3.28	96.5	10	M10 x 1			
SER 210-29	1-13/16														
SER 210-30	1-7/8	3.5433	2.0315	1.1260	0.748	1.283	0.097	0.295	0.129	3.799	0.394	3/8-24UNF	26980	19840	0.98
SER 210-31	1-15/16														
SER 210-32	2														
SER 211	55	100	55.6	30.2	22.2	33.4	2.46	7.5	3.28	106.5	10	M10 x 1			
SER 211-2	2														
SER 211-33	2-1/16	3.9370	2.1890	1.1890	0.874	1.315	0.097	0.295	0.129	4.193	0.394	3/8-24UNF	33370	25110	1.40
SER 211-34	2-1/8														
SER 211-35	2-3/16														
SER 212	60	110	65.1	31.8	25.4	39.7	2.46	7.5	3.28	1116.6	10	M10 x 1			
SER 212-32	2														
SER 212-36	2-1/4														
SER 212-37	2-5/16	4.3307	2.5630	1.2520	1.000	1.563	0.097	0.295	0.129	4.591	0.394	3/8-24UNF	36740	27970	1.89
SER 212-38	2-3/8														
SER 212-39	2-7/16														

## Bearing Inserts (with Eccentric Locking Collar)

## SA 2 Series

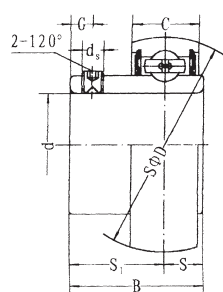
Bearing Unit / Insert



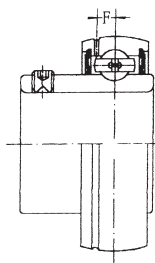
Bearing No.	Dimensions <small>mm inch</small>										Basic Load Rating (N)		Weight (kg)
	d	D	B <sub>1</sub>	B	C	S	d <sub>s</sub>	G	B <sub>5</sub>	d <sub>s</sub>	Dynamic	Static	
SA 201	12	40	28.6	19.1	12	6.5	M6 x 1	4.8	13.5	28.6	7360	4480	0.12
SA 201-8	3/4	1.5748	1.126	0.7520	0.4724	0.256	1/4-28UNF	0.189	0.531	1.126	7360	4480	0.12
SA 202	15	40	28.6	19.1	12	6.5	M6 x 1	4.8	13.5	28.6	7360	4480	0.10
SA 202-9	9/16										7360	4480	0.10
SA 202-10	5/8	1.5748	1.126	0.7520	0.4724	0.256	1/4-28UNF	0.189	0.531	0.126	7360	4480	0.10
SA 203	17	40	28.6	19.1	12	6.5	M6 x 1	7.8	13.5	28.6	7360	4480	0.09
SA 203-11	11/16	1.5748	1.126	0.7520	0.4724	0.256	1/4-28UNF	0.189	0.531	1.126	7360	4480	0.09
SA 204	20	47	31	21.5	14	7.5	M6 x 1	4.8	13.5	33.3	9880	6200	0.16
SA 204-12	3/4	1.8504	1.220	0.8465	0.5512	0.295	1/4-28UNF	0.189	0.531	1.311	9880	6200	0.16
SA 205	25	52	31	21.5	15	7.5	M6 x 1	4.8	13.5	38.1			0.20
SA 205-13	13/16										10780	6980	0.22
SA 205-14	7/8										10780	6980	0.21
SA 205-15	15/16	2.0472	1.220	0.8465	0.5906	0.295	1/4-28UNF	0.189	0.531	1.500	10780	6980	0.21
SA 205-16	1										10780	6980	0.20
SA 206	30	62	35.7	23.8	16	9	M8 x 1	6	15.9	44.5			0.30
SA 206-17	1-1/16										14970	10040	0.32
SA 206-18	1-1/8	2.4409	1.406	0.9370	0.6299	0.354	5/16-28UNF	0.236	0.626	1.752	14970	10040	0.31
SA 206-19	1-3/16										14970	10040	0.30
SA 206-20	1-1/4										14970	10040	0.29
SA 207	35	72	38.9	25.4	17	9.5	M8 x 1	6.8	17.5	55.6			0.42
SA 207-20	1-1/4										19750	13670	0.46
SA 207-21	1-5/16										19750	13670	0.43
SA 207-22	1-3/8	2.8346	1.531	1.000	0.6693	0.374	5/16-24UNF	0.268	0.689	2.189	19750	13670	0.42
SA 207-23	1-7/16										19750	13670	0.41
SA 208	40	80	43.7	30.2	18	11	M8 x 1	6.8	18.3	60.3			0.60
SA 208-24	1-1/2	3.1496	1.721	1.1890	0.7087	0.433	5/16-24UNF	0.268	0.720	2.374	22710	15940	0.58
SA 208-25	1-9/16										22710	15940	0.60
SA 209	45	85	43.7	30.2	19	11	M8 x 1	6.8	18.3	63.5			
SA 209-26	1-5/8										24360	17710	0.90
SA 209-27	1-11/16	3.3465	1.721	1.1890	0.7480	0.433	5/16-24UNF	0.268	0.720	2.500	24360	17710	0.90
SA 209-28	1-3/4										24360	17710	0.90
SA 210	50	90	43.7	30.2	20	11	M8 x 1	6.8	18.3	69.9			
SA 210-29	1-13/16										26980	19840	0.98
SA 210-30	1-7/8	3.5433	1.721	1.1890	0.7874	0.433	5/16-24UNF	0.268	0.720	2.752	26980	19840	0.98
SA 210-32	2										26980	19840	0.98
SA 211	55	100	48.4	32.5	21	12	M10 x 1	8	20.7	76.2			
SA 211-32	2										33370	25110	1.26
SA 211-33	2-1/16										33370	25110	1.26
SA 211-34	2-1/8	3.9370	1.906	1.2795	0.8268	0.472	3/8-24UNF	0.315	0.815	3.000	33370	25110	1.26
SA 211-35	2-3/16										33370	25110	1.26
SA 212	60	110	53.1	37.2	22	13.5	M10 x 1	8	22.3	84.2			
SA 212-36	2-1/4										36740	27970	1.70
SA 212-37	2-5/16										36740	27970	1.70
SA 212-38	2-3/8	4.3307	2.091	1.4646	0.8661	0.532	3/8-24UNF	0.315	0.878	3.315	36740	27970	1.70
SA 212-39	2-7/16										36740	27970	1.70

## SB 2 Series

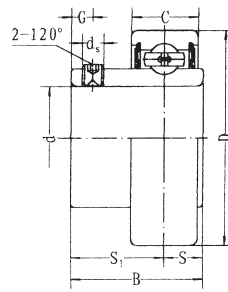
## Bearing Inserts



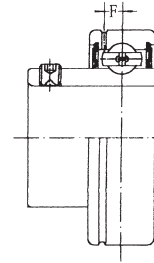
SB 2



SB 2 G



CSB 2



CSB 2 G

Bearing Unit / Insert

Bearing No.	Dimensions <sup>mm</sup> / <sub>inch</sub>								Bearing No.	Housing No.	Weight (kg)
	d	D	B	C	S	S <sub>1</sub>	d <sub>s</sub>	G			
SB 201	12	40	22	12	6	16	M5 x 0.8	4.5	7360	4480	0.10
SB 201-8	3/4	1.5748	0.8661	0.4724	0.236	0.630	# 10-32	0.177			0.10
SB 202	15	40	22	12	6	16	M5 x 0.8	4.5	7360	4480	0.10
SB 202-9	9/16	1.5748	0.8661	0.4724	0.236	0.630	# 10-32	0.177			0.10
SB 202-10	5/8										0.10
SB 203	17	40	22	12	6	16	M5 x 0.8	4.5	7360	4480	0.10
SB 203-11	11/16	1.5748	0.8661	0.4724	0.236	0.630	# 10-32	0.177			0.10
SB 204	20	47	25	14	7	16	M6 x 1	4.5	9880	6200	0.13
SB 204-12	3/4	1.8504	0.9843	0.5512	0.276	0.709	1/4-28 UNF	0.177			0.14
SB 205	25	52	27	15	7.5	19.5	M6 x 1	5.5	10780	6980	0.16
SB 205-13	13/16										0.19
SB 205-14	7/8	2.0472	1.0630	0.5906	0.295	0.768	1/4-28 UNF	0.217			0.18
SB 205-15	15/16										0.17
SB 205-16	1									0.16	
SB 206	30	62	30	16	8	22	M6 x 1	6	14970	10040	0.25
SB 206-17	1-1/16										0.28
SB 206-18	1-1/8	2.4409	1.1811	0.6299	0.315	0.866	1/4-24 UNF	0.236			0.26
SB 206-19	1-3/16										0.25
SB 206-20	1-1/4										0.24
SB 207	35	72	32	17	8.5	23.5	M8 x 1	6.5	19750	13670	0.36
SB 207-20	1-1/4										0.43
SB 207-21	1-5/16	2.8346	1.2598	0.6693	0.335	0.925	5/16-24 UNF	0.256			0.41
SB 207-22	1-3/8										0.38
SB 207-23	1-7/16										0.37
SB 208	40	80	34	18	9	25	M8 x 1	7	22710	15940	0.60
SB 208-24	1-1/2	3.1496	1.3386	0.7087	0.354	0.984	5/16-24 UNF	0.276			0.58
SB 208-25	1-9/16										0.60
SB 209	45	85	41.2	19	10.2	31	M8 x 1	8.2	24360	17710	0.80
SB 209-26	1-5/8										
SB 209-27	1-11/16	3.3465	1.6220	0.7480	0.402	1.220	5/16-24 UNF	0.323			
SB 209-28	1-3/4										
SB 210	50	90	43.5	20	10.9	32.6	M10 x 1	9.2	26980	19840	0.80
SB 210-29	1-13/16										
SB 210-30	1-7/8	3.5433	1.7125	0.7874	0.429	1.283	3/8-24 UNF	0.362			
SB 210-31	1-15/16										
SB 210-32	2										
SB 211	55	100	45.3	21	11.8	33.5	M10 x 1	9.8	33370	25110	1.1
SB 211-32	2										
SB 211-33	2-1/16	3.9370	1.7835	0.8268	0.465	1.319	3/8-24 UNF	0.386			
SB 211-34	2-1/8										
SB 211-35	2-3/16										
SB 212	60	110	53.7	22	14.9	38.8	M10 x 1	9.8	36740	27970	1.30
SB 212-36	2-1/4										
SB 212-37	2-5/16	4.3307	2.1142	0.8661	0.587	1.528	3/8-24 UNF	0.386			
SB 212-38	2-3/8										
SB 212-39	2-7/16										

## Bearings And Housings Matching Table

Bearing Unit / Insert

Bearing Housing		UC		UK		NA		SA		SB	
		UC	UK	NA	SA	SB					
	P	UCP	UKP	NAP	SAP	SBP					
	F	UCF	UKF	NAF	SAF	SBF					
	FL	UCFL	UKFL	NAFL	SAFL	SBFL					
	T	UCT	UKT	NAT	SAT	SBT					
	FC	UCFC	UKFC	NAFC	SAFC	SBFC					
	PH	UCPH	UKPH	NAPH	SAPH	SBPH					
	PA	UCPA	UKPA	NAPA	SAPA	SBPA					
	HA	UCHA	UKHA	NAHA							
	FB	UCFB	UKFB	NAFB							
	FA	UCFA	UKFA	NAFA							
	C	UCC	UKC	NAC	SAC	SBC					
	LP				SALP	SBLP					
	FL				SALF	SBLF					
	PP				SAPP	SBPP					
	PF				SAPF	SBPF					
	PFL				SAPFL	SBPFL					