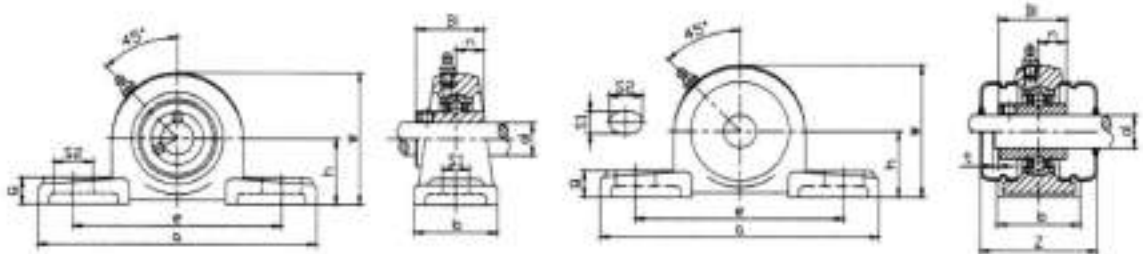


PILLOW BLOCKS 帶立式座外球面軸承



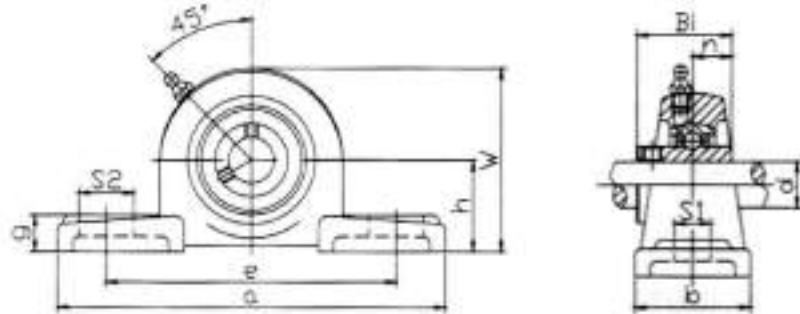
UCP200 SERIES
UCP200 系列

S-UCP200 SERIES S-UCP200 系列
SM-UCP200 SERIES SM-UCP200 系列

滾珠軸承型號 Bearing Unit NO.	軸徑 Shaft Diam.		基本尺寸 Dimension (mm)											螺絲 Screw Used		軸承型號 Bearing NO.	軸承座型號 Housing NO.	座質量 Housing Wt (kg)	
	(in)	(mm)	a	b	e	f	S2	S1	g	w	i	z	B	n	(mm)				(in)
UCP201-8 202-9 202-10 202-11 UCP201 202 203	1/2 9/16 5/8 11/16	12 15 17	30.2	127	95	38	19	13	14	62	2	51	31	12.7	M10	3/8	UC201-8 202-9 202-10 202-11 UC201 202 203	P203	0.33
UCP204-12 UCP204	3/4	20	33.3	127	85	38	19	13	14	65	2	51	31	12.7	M10	3/8	UC204-12 UC204	P204	0.46
UCP205-13 205-14 205-15 205-16 UCP206	13/16 7/8 15/16 1	25	36.5	140	105	38	19	13	14	65	2	57	34.1	14.3	M10	3/8	UC205-13 205-14 205-15 205-16 UC206	P205	0.60
UCP206-17 206-18 206-19 206-20 UCP206	1-1/16 1-1/8 1-3/16 1-1/4	30	42.9	165	121	48	21	17	17	83	2	62	38.1	15.9	M14	1/2	UC206-17 206-18 206-19 206-20 UC207	P206	0.97
UCP207-20 207-21 207-22 207-23 UCP207	1-1/4 1-5/16 1-3/8 1-7/16	35	47.6	167	127	48	21	17	18	93	3	72	42.9	17.5	M14	1/2	UC207-20 207-21 207-22 207-23 UC207	P207	1.00
UCP208-24 208-25 UCP208	1-1/2 1-9/16	40	49.2	184	137	54	21	17	18	98	3	82	49.2	19.0	M14	1/2	UC208-24 208-25 UC208	P208	1.30
UCP209-26 209-27 209-28 UCP209	1-5/8 1-11/16 1-3/4	45	54	190	148	54	21	17	20	106	3	82	49.2	19.0	M14	1/2	UC209-26 209-27 209-28 UC209	P209	1.40
UCP210-29 210-30 210-31 210-32 UCP210	1-13/16 1-7/8 1-15/16 2	50	57.2	208	159	60	25	20	21	114	3	87	51.8	19.0	M16	5/8	UC210-29 210-30 210-31 210-32 UC210	P210	1.83
UCP211-32 211-33 211-34 211-35 UCP211	2 2-1/16 2-1/8 2-3/16	55	63.5	219	171	60	25	20	23	125	4	92	55.8	22.2	M16	5/8	UC211-32 211-33 211-34 211-35 UC211	P211	2.4
UCP212-36 212-37 212-38 212-39 UCP212	2-1/4 2-5/16 2-3/8 2-7/16	60	69.8	241	184	70	25	20	25	138	4	102	65.1	25.4	M16	5/8	UC212-36 212-37 212-38 212-39 UC212	P212	2.8
UCP213-40 213-41 UCP213	2-1/2 2-9/16	65	76.2	265	203	70	29	25	27	151	4	107	65.1	25.4	M20	3/4	UC213-40 213-41 UC213	P213	3.5
UCP214-42 214-43 214-44 UCP214	2-5/8 2-11/16 2-3/4	70	79.4	288	210	72	31	25	27	157			74.0	30.2	M20	3/4	UC214-42 214-43 214-44 UC214	P214	4.45
UCP215-45 215-46 215-47 215-48 UCP215	2-13/16 2-7/8 2-15/16 3	75	82.6	275	217	74	31	25	28	163			77.8	33.3	M20	3/4	UC215-45 215-46 215-47 215-48 UC215	P215	4.9
UCP216-50 UCP216	3-1/8	80	89.9	292	232	78	31	25	30	175			82.6	33.3	M20	3/4	UC216-50 UC216	P216	5.6
UCP217-52 UCP217	3-1/4	85	95.2	310	247	83	31	25	32	187			85.7	34.1	M20	3/4	UC217-52 UC217	P217	6.9
UCP218-56 UCP218	3-1/2	90	101.6	327	262	88	33	27	33	200			96.0	38.7	M22	7/8	UC218-56 UC218	P218	8.10

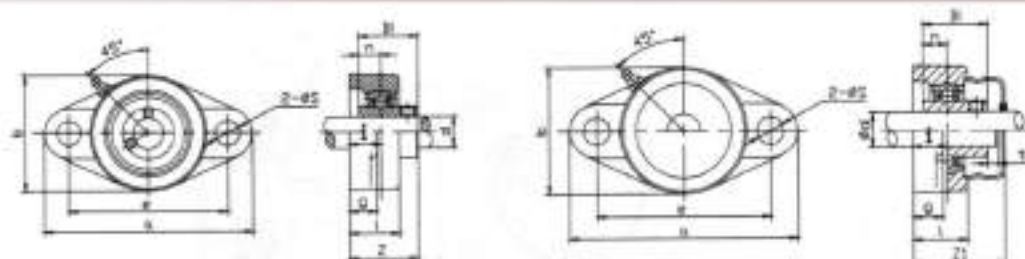
PILLOW BLOCKS 带立式座外球面轴承

UCP300 SERIES UCP300 系列



带座轴承型号 Bearing Unit NO.	轴径 Shaft Dia.		基本尺寸 Dimension (mm.)										螺栓 Bolt Used		轴承型号 Bearing NO.	轴承座型号 Housing NO.	总重量 Housing Wt (kg)
	(in)	(mm)	h	a	e	b	S2	S1	g	w	B	h	(mm)	(in)			
UCP305-14 305-15 305-16 UCP305	7/8 15/16 1	25	45	175	132	45	20	17	15	85	38	15	1/2	M14	UCP305-14 305-15 305-16 UCP305	P305	0.90
UCP306-18 306-19 UCP306	1-1/8 1-3/16	30	50	180	140	50	20	17	18	95	43	17	1/2	M14	UCP305-14 305-15 UCP305	P306	1.10
UCP307-20 307-21 307-22 307-23 UCP307	1-1/4 1-5/16 1-3/8 1-7/16	35	56	210	160	56	25	17	20	106	49	19	1/2	M14	UCP307-20 307-21 307-22 307-23 UCP307	P307	1.85
UCP308-24 308-25 UCP308	1-1/2 1-9/16	40	60	220	170	60	27	17	22	116	52	19	1/2	M14	UCP308-24 308-25 UCP308	P308	2.20
UCP309-26 309-27 309-28 UCP309	1-5/8 1-11/16 1-3/4	45	67	245	190	67	30	20	24	129	57	22	5/8	M14	UCP309-26 309-27 309-28 UCP309	P309	3.30
UCP310-30 310-31 UCP310	1-7/8 1-15/16	60	75	275	21	275	35	20	27	143	61	22	5/8	M16	UCP310-30 310-31 UCP310	P310	4.80
UCP311-32 311-34 311-35 UCP311	2 2-3/8 2-3/16	35	80	310	238	80	38	20	30	154	66	25	5/8	M16	UCP311-32 311-34 311-35 UCP311	P311	6.30
UCP312-36 312-38 312-39 UCP312	2-1/4 2-3/8 2-7/16	60	85	330	260	85	36	25	32	165	71	26	3/4	M20	UCP312-36 312-38 312-39 UC312	P312	6.30
UCP313-40 UCP313	2-1/2	85	90	340	280	90	36	25	33	176	75	30	3/4	M20	UC313-40 UC313	P313	8.00
UCP314-44 UCP314	2-3/4	70	95	360	300	90	40	27	35	187	78	33	7/8	M22	UC314-44 UC314	P314	8.30
UCP315-48 UCP315	3	75	100	380	290	100	40	27	35	198	82	32	7/8	M22	UC315-48 UC315	P315	9.50
UCP316-50 UCP316	3-1/8	80	106	400	300	110	40	27	40	210	86	34	7/8	M22	UC316-50 UC316	P316	12.50
UCP317-52 UCP317	3-1/4	85	112	420	320	110	45	33	40	220	90	40	1	M27	UC317-52 UC317	P317	14.50
UCP318-56 UCP318	3-1/2	90	118	430	330	110	45	33	45	228	95	40	1	M27	UC318-56 UC318	P318	20.40
UCP319-60 UCP319	3-3/4	95	125	470	380	120	50	36	45	250	103	41	1-1/8	M30	UC319-60 UC319	P319	22.30
UCP320-64 UCP320	4	100	140	490	380	130	50	36	50	275	108	42	1-1/8	M30	UC320-64 UC320	P320	25.00
UCP321		105	140	490	380	130	50	36	50	280	112	44		M30	UC321	P321	24.00
UCP322		110	150	520	400	140	55	40	55	300	117	46		M30	UC322	P322	27.50
UCP324		120	160	570	450	140	55	40	65	320	126	51		M30	UC324	P324	32.30
UCP326		130	190	600	480	140	55	40	75	355	135	54		M30	UC326	P326	41.00
UCP328		140	200	620	500	140	55	40	75	380	145	59		M30	UC328	P328	50.00

TWO-BOLT FLANGE UNITS 帶菱形座外球面軸承

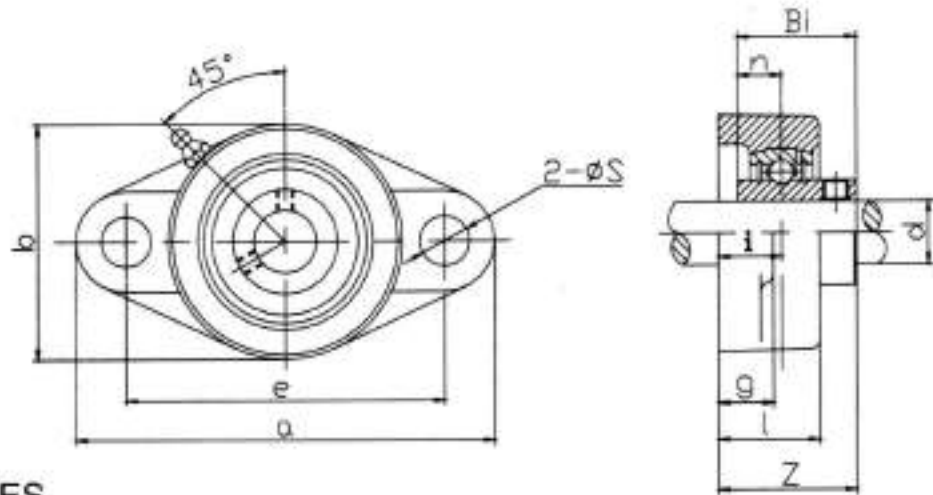


UCFL200 SERIES
UCFL200 系列

S-UCFL200 SERIES S-UCFL200 系列
SM-UCFL200 SERIES SM-UCFL200 系列

球面軸承型號 Spherical Unit NO.	軸 徑 Shaft Dia.		基本尺寸 Dimension (mm)													螺 絲 Bolt Used		軸承型號 Spherical NO.	軸承座型號 Housing NO.	重量 Housing Wt. (kg)	
	(in)	(mm)	a	b	c	d	e	f	g	h	i	j	k	l	m	n	(in)				(mm)
UCFL201-8 202-9 202-10 203-11 UCFL201 202 203	1/2 9/16 5/8 11/16	12 15 17	99	78.5	15	13	25.5	11.5	57					31	26	10	M10	3/8	UC201-8 202-9 202-10 203-11 UC201 202 203	FL203	0.25
UCFL201-8 202-9 202-10 203-11 204-12 UCFL201 202 203 204	1/2 9/16 5/8 11/16 3/4	12 15 17 20	113	90	15	12	25.5	12	60	2	40.5	33.3	31	12.7			M10	3/8	UC201-8 202-9 202-10 203-11 204-12 UC201 202 203 204	FL204	0.28
UCFL205-13 205-14 205-15 205-16 UCFL205	13/16 7/8 15/16 1	25	130	98	18	14	27	16	68	2	44.5	35.7	34.1	14.3			M14	1/2	UC205-13 205-14 205-15 205-16 UC205	FL205	0.4
UCFL206-17 206-18 206-19 206-20 UCFL206	1-1/16 1-1/8 1-3/16 1-1/4	30	148	117	18	14	31	18	80	2	48	40.2	38.1	15.9			M14	1/2	UC206-17 206-18 206-19 206-20 UC206	FL206	0.54
UCFL207-20 207-21 207-22 207-23 UCFL207	1-1/4 1-5/16 1-3/8 1-7/16	35	161	130	19	16	34	16	90	3	55	44.4	42.9	17.5			M14	1/2	UC207-20 207-21 207-22 207-23 UC207	FL207	0.65
UCFL208-24 208-25 UCFL208	1-1/2 1-9/16	40	175	144	21	16	36	16	100	3	62	51.2	49.2	19			M14	1/2	UC208-24 208-25 UC208	FL208	0.9
UCFL209-26 209-27 209-28 UCFL209	1-5/8 1-11/16 1-3/4	45	188	148	22	18	38	18	105	3	63	52.2	49.2	19			M16	5/8	UC209-26 209-27 209-28 UC209	FL209	1.15
UCFL210-28 210-27 210-28 210-28 UCFL210	1-13/16 1-7/8 1-15/16 2	50	197	157	22	18	40	19	115	3	65.5	54.6	51.6	19			M16	5/8	UC210-28 210-27 210-28 210-28 UC210	FL210	1.25
UCFL211-29 211-30 211-31 211-32 UCFL211	2 2-1/16 2-1/8 2-3/16	55	224	184	25	20	43	19	130	4	71	58.4	55.6	22.2			M16	5/8	UC211-29 211-30 211-31 211-32 UC211	FL211	1.85
UCFL212-36 212-37 212-38 212-39 UCFL212	2-1/8 2-5/16 2-3/8 2-7/16	60	250	202	29	20	48	23	140	4	80	68.7	65.1	25.4			M20	3/4	UC212-36 212-37 212-38 212-39 UC212	FL212	2.10
UCFL213-40 213-41 UCFL213	2-1/2 2-9/16	65	258	210	30	24	50	23	155	4	83.5	69.7	65.1	25.4			M20	3/4	UC213-40 213-41 UC213	FL213	2.8
UCFL214-42 214-43 214-44 UCFL214	2-5/8 2-11/16 2-3/4	70	285	216	31	24	54	23	160			75.4	74.6	30.2			M20	3/4	UC214-42 214-43 214-44 UC214	FL214	3.2
UCFL215-45 215-46 215-47 215-48 UCFL215	2-13/16 2-7/8 2-15/16 3	75	275	225	34	24	56	23	165			78.5	77.8	30.3			M20	3/4	UC215-45 215-46 215-47 215-48 UC215	FL215	2.8
UCFL216-45 UCFL216	3-1/8	80	290	230	34	24	58	25	180			83.0	82.6	30.3			M22	7/8	UC216-45 UC216	FL216	3.53
UCFL217-48 UCFL217	3-1/4	85	305	248	36	26	63	25	190			87.6	86.7	34.1			M22	7/8	UC217-48 UC217	FL217	5.5
UCFL218-48 UCFL218	3-1/2	90	320	265	40	26	68	25	205			98.0	96	38.7			M22	7/8	UC218-48 UC218	FL218	6.0

TWO-BOLT FLANGE UNITS 帶菱形座外球面軸承

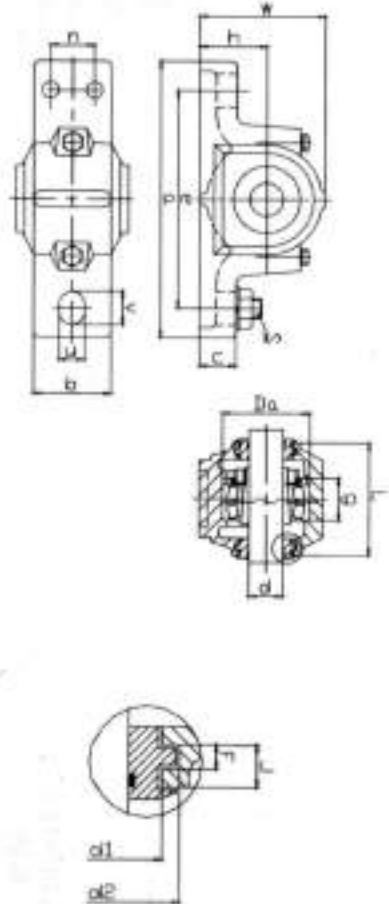


UCFL300 SERIES UCFL300 系列

滾珠軸承型號 Bearing Unit NO.	軸 徑 Shaft Dia.		基本尺寸 Dimension (mm)										螺 絲 Bolt Used		軸承型號 Bearing NO.	軸承殼型號 Housing NO.	座重量 Housing Wt. (kg)
	(in.)	(mm)	a	e	i	g	l	s	b	z	Bi	h	(in.)	(mm)			
UCFL305-14 305-15 305-16 UCFL305	7/8 15-16 1	25	150	113	16	12	29	19	90	39	38	15	M16	5/8	UC305-14 305-15 305-16 UC305	FL305	0.7
UCFL306-18 306-19 UCFL306	1-1/8 1-3/16	30	180	134	18	15	32	23	90	44	43	17	M20	3/4	UC306-16 306-19 UC306	FL306	1.1
UCFL307-20 307-21 307-22 307-23 UCFL307	1-1/4 1-5/16 1-3/8 1-7/16	35	165	141	20	16	36	23	100	49	48	19	M20	3/4	UC307-20 307-21 307-22 307-23 UC307	FL307	1.2
UCFL308-24 308-25 UCFL308	1-1/2 1-9/16	40	200	156	23	17	40	23	112	56	52	19	M20	3/4	UC308-24 308-25 UC308	FL308	1.5
UCFL309-28 309-27 309-28 UCFL309	1-5/8 1-11/16 1-3/4	45	230	177	25	18	44	25	125	60	57	22	M22	7/8	UC309-26 309-27 309-28 UC309	FL309	2.2
UCFL310-30 310-31 UCFL310	1-7/8 1-15/16	50	240	187	28	19	48	25	140	67	61	22	M22	7/8	310-30 310-31 UC310	FL310	2.7
UCFL311-32 311-34 311-35 UCFL311	2 2-1/8 2-3/16	55	260	198	30	20	52	25	150	71	66	25	M22	7/8	UC311-32 311-34 311-35 UC311	FL311	3.15
UCFL312-36 312-38 312-39 UCFL312	2-1/4 2-3/8 2-7/16	60	270	212	33	22	56	31	160	78	71	26	M27	1	UC312-36 312-38 312-39 UC312	FL312	3.30
UCFL313-40 UCFL313	2-1/2	65	295	240	33	25	58	31	175	78	75	30	M27	1	UC313-40 UC313	FL313	5.00
UCFL314-44 UCFL314	2-3/4	70	315	250	36	28	61	35	185	81	78	33	M30	1-1/8	UC314-44 UC314	FL314	6.10
UCFL315-48 UCFL315	3	75	320	260	39	30	66	35	195	89	82	32	M30	1-1/8	UC315-48 UC315	FL315	6.50
UCFL316-50 UCFL316	3-1/8	80	355	285	38	32	68	38	210	90	86	34	M33	1-1/4	UC316-50 UC316	FL316	8.90
UCFL317-52 UCFL317	3-1/4	85	370	300	44	32	74	38	220	100	95	40	M33	1-1/4	UC317-52 UC317	FL317	10.50
UCFL318-56 UCFL318	3-1/2	90	385	315	44	36	75	38	235	100	96	40	M36	1-1/4	UC318-56 UC318	FL318	12.50
UCFL319-60 UCFL319	3-3/4	95	405	330	52	40	84	41	250	121	100	41	M36	1-1/4	UC319-60 UC319	FL319	16.00
UCFL320-64 UCFL320	4	100	440	360	59	40	84	44	270	125	108	42	M38	1-1/2	UC320-64 UC320	FL320	17.30
UCFL321	105	440	360	59	40	84	44	270	127	112	44	M39	1-1/2	UC321	FL321	15.00	
UCFL322	110	470	390	60	42	86	44	300	131	117	46	M39	1-1/2	UC322	FL322	20.20	
UCFL324	120	520	430	65	48	110	47	330	140	126	51	M42	1-3/4	UC324	FL324	29.50	
UCFL326	130	550	460	65	50	115	47	360	148	136	54	M42	1-3/4	UC326	FL326	38.00	
UCFL328	140	600	500	75	60	125	51	400	161	145	59	M45	1-3/4	UC328	FL328	54.00	

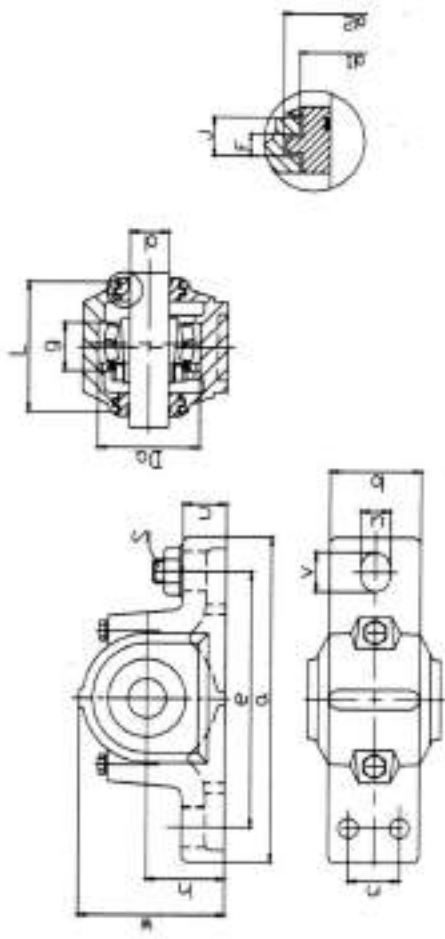
PLUMMER BLOCKS 帶剖分座軸承

SNU500 SERIES SNU500 系列



產品編號 Drawing NO.	第一排 Start Chul										第二排 Dimension (mm)										產品圖 Drawing NO.	產品圖 Drawing NO.	安裝 Mounting		產品圖 Drawing NO.																																																																																														
	d (mm)	H	h	a	b	c	d	e	f	g	H	L	h	H	h	J	F	D	Da	D			D1	D2		D3	D4	D5	D6	D7	D8	D9	D10	D11	D12	D13	D14	D15	D16	D17	D18	D19	D20	D21	D22	D23	D24	D25	D26	D27	D28	D29	D30	D31	D32	D33	D34	D35	D36	D37	D38	D39	D40	D41	D42	D43	D44	D45	D46	D47	D48	D49	D50	D51	D52	D53	D54	D55	D56	D57	D58	D59	D60	D61	D62	D63	D64	D65	D66	D67	D68	D69	D70	D71	D72	D73	D74	D75	D76	D77	D78	D79	D80	D81	D82	D83	D84	D85	D86	D87	D88	D89	D90	D91	D92	D93	D94	D95	D96
SNU500C	20	40	100	130	46	13	20	19	71	67	31.5	28.5	7.5	5	20	52	M12	1.0	1209K	H206	S702 x 0.5	2	SNU500C																																																																																																
SNU500K-020	28	50	100	100	52	15	20	22	87	77	28.5	44.5	7.5	5	20	82	M10	2.2	1209K	H206	S702 x 0.5	2	SNU500K-020																																																																																																
SNU500T-020	28	50	100	100	52	15	20	22	87	77	28.5	44.5	7.5	5	20	82	M10	2.2	1209K	H206	S702 x 0.5	2	SNU500T-020																																																																																																
SNU500B-020	28	50	100	100	52	15	20	22	87	77	28.5	44.5	7.5	5	20	82	M10	2.2	1209K	H206	S702 x 0.5	2	SNU500B-020																																																																																																
SNU500E	40	80	200	170	60	18	30	30	108	80	64.8	64.8	8.8	5	30	80	M12	3.8	1209K	H206	S702 x 0.5	2	SNU500E																																																																																																
SNU501B-020	40	80	200	170	60	18	30	30	110	90	62	70.5	8.8	5	47	80	M12	3.8	1209K	H206	S702 x 0.5	2	SNU501B-020																																																																																																
SNU501A-020	40	80	200	170	60	18	30	30	120	100	67	75.5	8.8	5	44	100	M18	5.0	1271K	H211	S710 x 1.5	2	SNU501A-020																																																																																																
SNU501D-010	50	70	220	210	75	15	20	20	130	100	72	60.5	20	8.8	5	40	110	M18	6.7	1209K	H210	S710 x 1.5	2	SNU501D-010																																																																																															
SNU501A-011	60	80	270	230	60	18	24	30	148	110	77	65.5	20	8.8	5	51	120	M18	M12	1.0	1271K	H210	S710 x 1.5	2	SNU501A-011																																																																																														
SNU501B-012	60	80	280	230	60	18	26	30	154	115	67	70.5	40	8.8	5	90	130	M18	M12	1.7	1271K	H210	S710 x 1.5	2	SNU501B-012																																																																																														
SNU501B-013	70	80	315	300	50	20	20	20	135	120	82.5	91	40	10.0	5	50	140	M20	M12	11.8	1271K	H210	S710 x 1.5	2	SNU501B-013																																																																																														
SNU501F	75	80	265	260	60	20	20	20	161	125	87.5	96	60	10.0	5	81	150	M20	M12	12.7	1271K	H210	S710 x 1.5	2	SNU501F																																																																																														
SNU501B-015	80	100	345	300	50	20	20	20	180	140	102.5	111	50	10.0	5	60	160	M20	M18	14.8	1271K	H210	S710 x 1.5	2	SNU501B-015																																																																																														
SNU501B-016	88	110	345	300	50	20	20	20	185	145	104	111	50	11.8	5	60	170	M20	M18	15.5	1271K	H210	S710 x 1.5	2	SNU501B-016																																																																																														
SNU500S-017	90	110	300	300	110	25	30	30	180	130	107.5	117.5	60	11.5	5	70	180	M24	M18	18.4	1209K	H210	S720 x 1.5	2	SNU500S-017																																																																																														
SNU500S-018	90	125	410	300	50	25	30	30	208	175	117.5	127.5	70	11.5	5	80	200	M24	M18	24.8	1209K	H210	S720 x 1.5	2	SNU500S-018																																																																																														
SNU500A-020	110	140	410	320	100	25	30	40	271	180	120.5	127.5	70	11.5	5	80	215	M24	M18	20.2	1209K	H210	S720 x 1.5	2	SNU500A-020																																																																																														
SNU500K	118	150	445	320	130	28	30	40	286	190	123.5	131.5	70	12	8	90	220	M24	M20	26.8	1209K	H210	S720 x 1.5	2	SNU500K																																																																																														
SNU500E	120	150	300	420	150	25	40	50	300	200	177.5	187.5	80	12	8	90	220	M20	M20	44.8	1209K	H210	S720 x 1.5	2	SNU500E																																																																																														
SNU500C	140	160	420	420	160	26	40	40	305	200	182.5	192.5	80	13.0	8	100	230	M20	M20	48.8	1209K	H210	S720 x 1.5	2	SNU500C																																																																																														
SNU500C	140	170	500	470	160	26	40	40	344	220	202.5	212.5	80	13.0	8	114	250	M20	M20	63.8	1209K	H210	S720 x 1.5	2	SNU500C																																																																																														

PLUMMER BLOCKS 带剖分座轴承

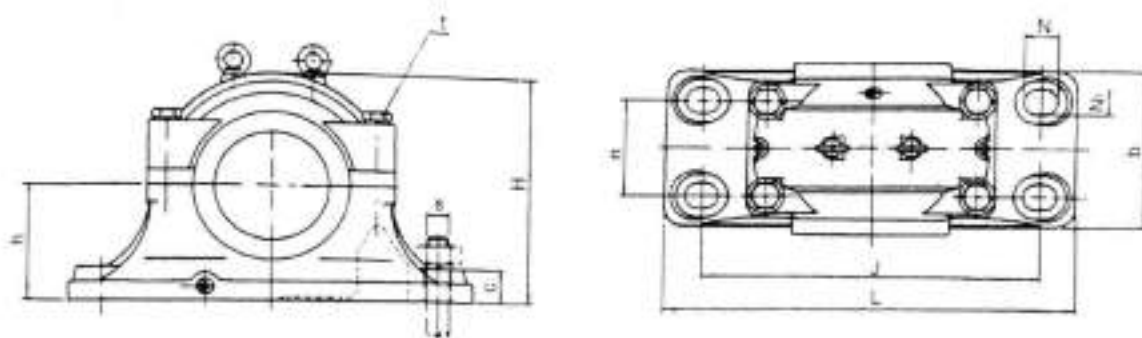


SNG500 SERIES SNG500 系列

产品编号 Model No.	轴径 Shaft Dia. (mm)	基本尺寸 Dimension (mm)																			重量 Weight (kg)	轴承型号 Bearing No.	数量 QTY	定位环 Locating Ring 数量 Number	轴承型号 Bearing No.	重量 Weight (kg)				
		H	h	h ₁	h ₂	h ₃	h ₄	h ₅	h ₆	h ₇	h ₈	h ₉	h ₁₀	h ₁₁	h ₁₂	h ₁₃	h ₁₄	h ₁₅	h ₁₆	h ₁₇							h ₁₈	h ₁₉	h ₂₀	
SNG500-000	30	50	165	150	65	15	20	25	35	52	62	44.5	54.5	7.5	5	34	72	M10	2	2.4	H010	2012 x 8.5	2	H010	2012 x 8.5	2	SNG500-000	2	SNG500-000	2
SNG500-001	35	60	205	170	65	15	20	25	35	52	62	50.5	58.5	7.5	5	38	80	M12	2	3.2	H010	2012 x 10.5	2	H010	2012 x 10.5	2	SNG500-001	2	SNG500-001	2
SNG500-002	40	60	205	170	65	15	20	25	35	52	62	56.5	64.5	8.5	5	30	84	M13	2	3.5	H010	2012 x 11.5	2	H010	2012 x 11.5	2	SNG500-002	2	SNG500-002	2
SNG500-003	45	60	205	170	65	15	20	25	35	52	62	62	70.5	8.5	5	41	90	M12	2	3.8	H010	2012 x 12.5	2	H010	2012 x 12.5	2	SNG500-003	2	SNG500-003	2
SNG500-004	50	70	255	210	75	16	23	30	42	67	84	67	83.5	9.5	5	44	100	M14	2	5.2	H011	2011 x 11.5	2	H011	2011 x 11.5	2	SNG500-004	2	SNG500-004	2
SNG500-005	55	70	255	210	75	16	23	30	42	67	84	72	89.5	9.5	5	40	110	M14	2	6.1	H012	2011 x 12.5	2	H012	2011 x 12.5	2	SNG500-005	2	SNG500-005	2
SNG500-006	60	80	315	230	65	16	24	30	44	110	77	85.5	95	8.5	5	51	120	M14	2	7.9	H013	2011 x 14	2	H013	2011 x 14	2	SNG500-006	2	SNG500-006	2
SNG500-007	65	80	315	230	65	16	24	30	44	110	77	87	96.5	9.5	5	56	130	M12	2	7.7	H015	2011 x 15.5	2	H015	2011 x 15.5	2	SNG500-007	2	SNG500-007	2
SNG500-008	70	85	315	230	65	16	24	30	44	110	77	89.5	101	10.5	5	58	140	M12	2	11.0	H017	2011 x 16	2	H017	2011 x 16	2	SNG500-008	2	SNG500-008	2
SNG500-009	75	85	315	230	65	16	24	30	44	110	77	87.5	106	10.5	5	61	150	M12	2	12.7	H017	2011 x 16.5	2	H017	2011 x 16.5	2	SNG500-009	2	SNG500-009	2
SNG500-010	80	100	365	260	65	16	24	30	44	110	77	85.5	111	10.5	5	65	160	M16	2	14.4	H018	2011 x 17.5	2	H018	2011 x 17.5	2	SNG500-010	2	SNG500-010	2
SNG500-011	85	110	365	260	65	16	24	30	44	110	77	87	121	11.5	5	60	170	M16	2	15.5	H019	2011 x 18	2	H019	2011 x 18	2	SNG500-011	2	SNG500-011	2
SNG500-012	90	110	365	260	65	16	24	30	44	110	77	87.5	127.5	11.5	5	70	180	M16	2	18.4	H020	2011 x 19	2	H020	2011 x 19	2	SNG500-012	2	SNG500-012	2
SNG500-013	95	125	415	300	65	16	24	30	45	129	145	121	141	11.5	5	60	170	M16	2	19.8	H021	2011 x 20	2	H021	2011 x 20	2	SNG500-013	2	SNG500-013	2
SNG500-014	100	140	415	300	65	16	24	30	45	129	145	127.5	157.5	11.5	5	60	210	M16	2	24.8	H022	2011 x 21	2	H022	2011 x 21	2	SNG500-014	2	SNG500-014	2
SNG500-015	110	150	465	340	65	16	24	30	45	129	145	127.5	177.5	11.5	5	60	210	M16	2	32.2	H023	2011 x 22	2	H023	2011 x 22	2	SNG500-015	2	SNG500-015	2
SNG500-016	115	150	465	340	65	16	24	30	45	129	145	127.5	177.5	11.5	5	60	250	M24	2	34.8	H024	2011 x 23	2	H024	2011 x 23	2	SNG500-016	2	SNG500-016	2
SNG500-017	125	150	465	340	65	16	24	30	45	129	145	127.5	197.5	11.5	5	60	250	M24	2	43.8	H025	2011 x 24	2	H025	2011 x 24	2	SNG500-017	2	SNG500-017	2
SNG500-018	135	160	515	400	65	16	24	30	45	129	145	127.5	207.5	11.5	5	108	270	M24	2	58.5	H026	2011 x 25	2	H026	2011 x 25	2	SNG500-018	2	SNG500-018	2
SNG500-019	140	170	565	470	65	16	24	30	45	129	145	127.5	217.5	11.5	5	114	290	M24	2	63.5	H027	2011 x 26	2	H027	2011 x 26	2	SNG500-019	2	SNG500-019	2

PLUMMER BLOCKS 带剖分座轴承

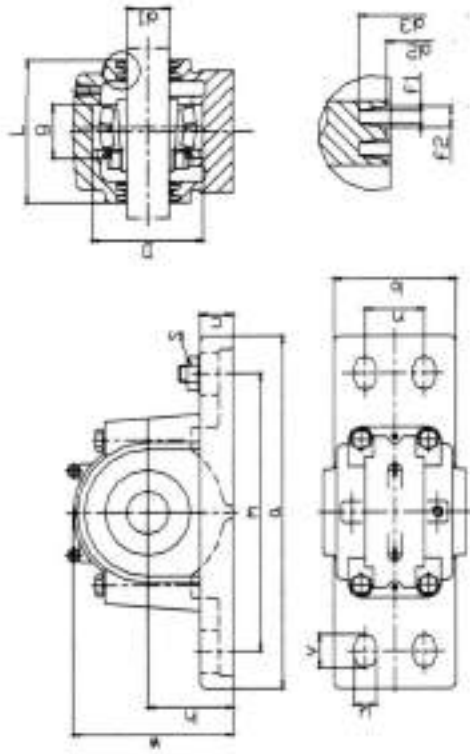
SD200、SD300 系列大孔径



型 号		轴 径		D H8	L	b	c	h H13	D H13	d1 H13	W	H
固定块	剖分块	d	d ₁									
SD234G	SD234Z	170	190	510	620	250	60	180	98	86	270	360
SD236G	SD236Z	180	200	520	650	280	60	190	98	86	280	380
SD238G	SD238Z	190	210	540	700	280	65	200	102	92	290	400
SD240G	SD240Z	200	220	560	740	280	65	210	108	98	300	420
SD244G	SD244Z	220	240	600	820	320	70	240	118	108	330	475
SD248G	SD248Z	240	260	640	880	330	85	260	130	120	340	515
SD252G	SD252Z	260	280	680	940	360	85	280	140	130	370	560
SD256G	SD256Z	280	300	720	990	380	100	300	140	130	390	580
SD260G	SD260Z	300	320	760	1060	400	100	325	150	140	410	640
SD264G	SD264Z	320	340	800	1110	430	110	325	160	150	440	690

SD334G	SD334Z	170	190	360	740	290	65	210	130	120	300	400
SD336G	SD336Z	180	200	380	780	310	70	225	136	126	320	450
SD338G	SD338Z	190	210	400	820	320	70	240	142	132	330	475
SD340G	SD340Z	200	220	440	880	330	85	260	148	138	350	500
SD344G	SD344Z	220	240	480	940	360	85	280	158	145	380	550
SD348G	SD348Z	240	260	520	990	380	100	300	165	155	380	590
SD352G	SD352Z	260	280	560	1060	400	100	325	175	165	410	640
SD356G	SD356Z	280	300	600	1110	430	110	325	185A	175	440	690

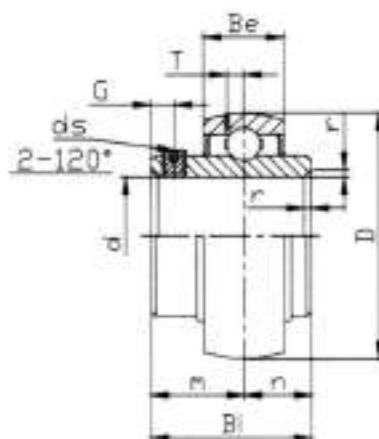
PLUMMER BLOCKS 帶剖分座軸承



SD500 SERIES
SD600 SERIES
SD500 系列
SD500 系列

帶剖分座軸承 Bearing No. (mm)	基本尺寸 Dimensional (mm)																	抽油器 Sleeper Shoe	定位環 Locating Ring		帶剖分座 Housing No.			
	D	d	b	c	E	e	H12	h12	L	W	m	n	v	w	8	φ8	φ12		φ12	φ		重量 wt. kg	數量 Number	數量 QTY
SD534	150	310	620	230	60	108	160	270	360	516	140	36	52	M50	153	163	10	13.8	02	22234K	H3134	SR310×10	2	SD534
SD638	160	320	650	240	60	100	190	280	380	540	150	36	52	M50	163	193	10	13.8	05	22238K	H3136	SR320×10	2	SD538
SD538	170	340	700	260	65	112	200	290	400	570	160	36	55	M50	173	203	10	13.8	05	22238K	H3138	SR340×10	2	SD538
SD540	180	360	740	270	65	118	210	300	420	610	170	36	55	M50	183	213	10	13.8	140	22240K	H3140	SR360×10	2	SD540
SD544	200	400	820	300	70	128	240	330	470	680	190	43	62	M56	203	240	11	15.7	200	22244K	H3144	SR400×10	2	SD544
SD548	200	440	880	310	85	140	260	340	510	740	200	43	62	M56	220	260	11	15.7	200	22248K	H3148	SR440×10	2	SD548
SD552	240	480	940	340	85	150	280	370	560	790	210	43	62	M46	240	286	12	17.4	300	22252K	H3152	SR480×10	2	SD552
SD556	260	500	990	370	100	160	300	390	590	830	230	50	70	M42	260	306	12	17.4	350	22256K	H3156	SR500×10	2	SD556
SD560	260	540	1060	380	100	160	320	410	640	890	250	50	70	M42	280	332	13	18.1	450	22260K	H3160	SR540×10	2	SD560
SD564	300	600	1110	420	110	170	360	460	690	940	270	58	77	M48	300	362	13	18.1	550	22264K	H3164	SR580×10	2	SD564
SD634	150	360	740	270	65	130	210	300	420	610	170	36	55	M50	153	183	10	13.8	140	22234K	H3304	SR620×10	2	SD634
SD638	160	380	780	280	70	136	220	320	450	640	180	43	62	M56	163	193	10	13.8	170	22238K	H3306	SR640×10	2	SD638
SD638	170	400	820	300	70	142	240	330	470	680	190	43	62	M56	173	203	10	13.8	200	22238K	H3308	SR660×10	2	SD638
SD640	180	420	860	320	85	148	250	350	500	710	200	43	62	M56	183	213	10	13.8	230	22240K	H3340	SR680×10	2	SD640
SD644	200	460	920	330	85	156	280	360	550	770	210	43	62	M56	203	240	11	15.7	260	22244K	H3344	SR700×10	2	SD644
SD648	200	500	990	370	100	166	300	390	590	830	230	50	70	M42	220	260	11	15.7	350	22248K	H3348	SR720×10	2	SD648
SD652	240	540	1060	380	100	176	320	410	640	890	250	50	70	M42	240	286	12	17.4	450	22252K	H3352	SR740×10	2	SD652
SD656	260	580	1110	420	110	186	350	440	690	930	270	58	77	M48	260	306	12	17.4	550	22256K	H3356	SR760×10	2	SD656

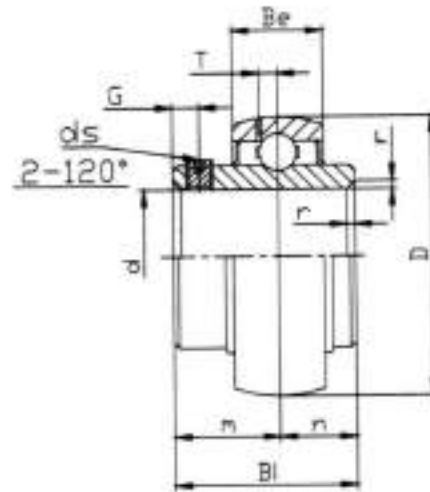
BALL BEARING INSERTS 外球面球轴承



UC200 SERIES UC200 系列

游隙代号 Housing NO.	轴径 Shaft Dia(1)		基本尺寸 Dimension(mm)									额定动载荷 Basic Load Rating kgf	额定静载荷 Basic Static Load Rating kgf	重量 Housing wt (kg)
	(in)	(mm)	D	ds	Be	i	n	m	D	ds	T			
UC201-8 202-10 203-11 UC201 202 203	1/2 5/8 11/16	12 15 17	40	26	15	1	30	16	4	10-320HF M5 x 0.8	4	800	580	0.19 0.18 0.17 0.15 0.20 0.18
UC201-8 202-10 203-11 204-12 UC201 202 203 204	1/2 5/8 11/16 3/4	12 15 17 20	47	31	17	1	12.7	18.3	4.5	1/4-28 M6 x 0.75	3.7	1000	650	0.20 0.19 0.18 0.18 0.21 0.19 0.18 0.18
UC205-14 205-15 205-16 UC205	7/8 15/16 1	25	52	34.1	17	1.5	14.3	19.8	5	1/4-28 M6 x 0.75	3.9	1100	710	0.22 0.20 0.19 0.19
UC206-17 206-18 206-19 206-20 UC206	1-1/16 1-1/8 1-3/16 1-1/4	30	62	38.1	19	1.5	15.9	22.2	5	5/16-24 M8 x 1	5	1540	1020	0.36 0.34 0.32 0.31 0.31
UC207-20 207-21 207-22 207-23 UC207	1-1/4 1-5/16 1-3/8 1-7/16	35	72	42.9	20	2	17.5	25.4	6	5/16-24 M8 x 1	5.7	2030	1400	0.53 0.50 0.48 0.48 0.46
UC208-24 208-25 UC208	1-1/2 1-9/16	40	80	49.2	21	2	19.0	30.2	5	5/16-24 M8 x 1	6.2	2300	1600	0.68 0.64 0.63
UC209-26 209-27 209-28 UC209	1-5/8 1-11/16 1-3/4	45	86	49.2	22	2	19.0	30.2	8	5/16-24 M8 x 1	6.4	2590	1810	0.78 0.74 0.70 0.68
UC210-30 210-31 UC210	1-7/8 1-15/16	50	90	51.8	24	2	19.0	32.6	10	3/8-24 M10 x 1.25	6.5	2750	2020	0.85 0.80 0.78
UC211-32 211-34 211-35 UC211	2 2-1/8 2-3/16	55	100	55.8	25	2.5	22.2	33.4	10	3/8-24 M10 x 1.25	7	3400	2550	1.22 1.10 1.05 1.07
UC212-36 212-38 212-39 UC212	2-1/4 2-3/8 2-7/16	60	110	65.1	27	2.5	25.4	39.7	10	3/8-24 M10 x 1.25	7.6	4100	3150	1.66 1.49 1.42 1.52
UC213-40 UC213	2-1/2	65	120	65.1	28	2.5	25.4	39.7	10	3/8-24 M10 x 1.25	8.9	4480	3670	1.88 1.80
UC214-44 UC214	2-3/4	70	125	74.0	30	2.5	30.2	44.4	12	7/16-20 M12 x 1.5	8.9	4870	3810	2.07 2.06
UC215-47 215-48 UC215	2-15/16 3	75	130	77.8	32	2.5	33.3	44.5	12	7/16-20 M12 x 1.5	8.9	5200	4200	2.21 2.11 2.19
UC216-50 UC216	3-1/8	80	140	82.6	33	3	33.3	49.3	14	7/16-20 M12 x 1.5	9.6	5700	4690	2.90 2.82
UC217-52 UC217	3-1/4	85	150	85.7	35	3	34.1	51.8	14	7/16-20 M12 x 1.5	10	6900	5320	3.66 3.46
UC218-56 UC218	3-1/2	90	160	96.0	37	3	39.7	56.3	15	7/16-20 M12 x 1.5	11	7550	6170	4.82 4.53

BALL BEARING INSERTS 外球面球轴承



UC300 SERIES UC300 系列

滾珠軸承型號 Housing NO	軸 徑 Shaft Dia()		基本尺寸 Dimension(mm)								額定動負荷 Basic Load Rating (kg)	額定靜負荷 Basic Static Load Rating (kg)	注重量 Housing wt (kg)	
	(in)	(mm)	D	B	B ₀	r	r ₁	r ₂	G	ds				T
UC305-14 305-15 305-16 UC305	1/8 15/64 1	25	62	36	21	2	15	23	8	ds M6 x 0.75	6.1	1760	1160	0.38 0.37 0.35 0.35
UC306-18 306-19 UC306	1-1/8 1-3/16	30	72	43	23	2	17	26	8	ds M6 x 0.75	6.7	2119	1445	0.60 0.54 0.56
UC307-20 307-21 307-22 UC307	1-1/4 1-5/16 1-3/8	35	80	48	25	2.5	19	29	8	ds M8 x 1	7.4	2620	1830	0.81 0.79 0.75 0.75
UC309-24 309-25 UC309	1-1/2 1-9/16	40	90	52	27	2.5	19	33	10	ds M10 x 1.25	8.2	3200	2280	1.07 1 1
UC309-26 309-27 309-28 UC309	1-5/8 1-11/16 1-3/4	45	100	57	30	2.5	22	35	10	ds M10 x 1.25	9	4150	3060	1.38 1.33 1.28 1.26
UC310-30 310-31 UC310	1-7/8 1-15/16	50	110	61	32	3	22	39	12	ds M12 x 1.5	10	4850	3640	1.75 1.67 1.65
UC311-32 311-34 311-35 UC311	2 2-1/2 2-3/16	55	120	66	34	3	25	41	12	ds M12 x 1.5	10.7	5620	4260	2.3 2.2 2 2.1
UC312-36 312-38 312-39 UC312	2-1/4 2-3/8 2-7/16	60	130	71	36	3.5	26	45	12	ds M12 x 1.5	11.5	6420	4860	2.8 2.8 2.6 2.5
UC313-40 UC313	2-1/2	65	140	75	38	3.5	30	45	12	ds M12 x 1.5	12.2	7370	5760	3.46 3.32
UC314-44 UC314	2-3/4	70	150	78	40	3.5	33	45	12	ds M12 x 1.5	13	8170	6180	3.9 3.9
UC315-48 UC315	3	75	160	82	42	3.5	32	50	14	ds M14 x 1.5	13.8	8900	7310	4.33 4.18
UC316-50 UC316	3-1/8	80	170	86	44	3.5	34	52	14	ds M14 x 1.5	14.5	9650	8330	5.25
UC317-52 UC317	3-1/4	85	180	90	46	4	40	55	16	ds M16 x 1.5	15	10410	9130	7 6.7
UC318-56 UC318	3-1/2	90	190	96	48	4	40	55	16	ds M16 x 1.5	15.9	11300	10300	7.65 7.60
UC319-60 UC319	3-3/4	95	200	103	50	4	41	62	18	ds M16 x 1.5	16.7	12300	11690	8.75 8.75
UC320-64 UC320	4	100	215	108	54	4	42	68	18	ds M18 x 1.5	18	14300	12890	10.03 10.28
UC321		105	225	112	56	4	44	68	18	ds M18 x 1.5	19	16700	16300	12.3
UC322		110	240	117	60	4	46	71	18	ds M18 x 1.5	21	20900	18300	14.5
UC324		120	260	126	64	4	51	75	18	ds M18 x 1.5	22	21100	18400	18.7
UC326		130	280	135	68	5	54	81	20	ds M20 x 1.5	23	23400	20400	23.3
UC328		140	300	145	73	5	59	86	20	ds M20 x 1.5	25	28000	22700	28.0