

Introduction

FK ball bearing units provide simple and effective bearing arrangements capable of accommodating moderate initial misalignment from mounting errors. They are easily mounted onto commercial shafting and are particularly useful where fabricated machine frames are employed.

The units are available in a variety of pillow block, flange, cartridge and take-up mounted configurations with one piece cast iron, ductile iron, stainless steel, thermoplastic or two pressed steel housings.

FK inserts are wide inner ring ball bearings that are effectively and efficiently sealed, including the J type rubber seal, H type shield seal, SL type dual seal, L3 type triple seal, F type combine seal, Dust cap and end-cover. Simple fitting onto standard shafting is provided for by means of eccentric locking collar, set screws, adapter sleeve or squeeze Lock.

The reliability, simplicity and ease of assembly of items in the FK ball bearing units range has resulted in their popularity for agricultural, extraction machinery, textile machinery, parking equipment, fan equipment and construction machinery as well as process and automation equipment.

Product Selection

The purpose of this catalogue is to introduce the FK Ball bearing units range and provide the necessary technical information for assisting in selecting the most appropriate bearing units product for most applications. FK can provide many other items which are covered in further publications and can provide additional advice. FK supply one-stop type services and product solutions of ball bearing units.

Examples of calculation methods used when making a selection are included within this catalogue together with advice and information about mounting.

In line with our policy of continuous improvement, we reserve the right to amend the details in this catalogue without prior notice. If you have any doubts when making an application selection, or if you require additional information, please contact FK.

Every care has been taken to ensure that the information in this publication is accurate but no liability can be accepted for any errors or omissions.

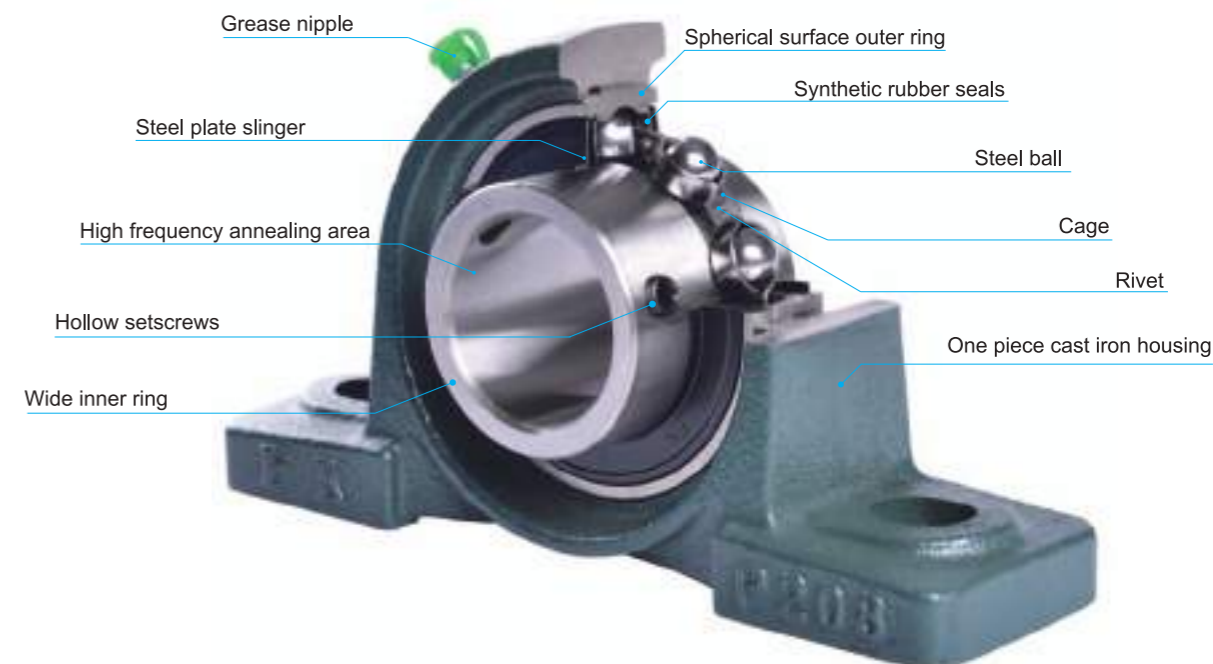
CONTENTS

FK Product Range

- I. Introduction
- II. Product Selection
- III. FK Technical Data Index
 - 1. Structure of FK Pillow Blocks.....1
 - 2. Combination tables.....2
 - 3. Materials.....4
 - 3.1. Material of Insert Bearing.....4
 - 3.2. Material of Housing.....5
 - 3.3. Material of Other Components.....5
 - 4. Accuracy.....5
 - 4.1. Radial Internal Clearance of Insert Bearings.....5
 - 4.2. Dimensional Accuracies of Insert Bearings.....6
 - 4.3. Dimensional Accuracies of Housings.....8
 - 5. Loads.....12
 - 5.1. Destruction Strength of Cast Iron Housings.....12
 - 5.2. Destruction Strength of Pressed Housings.....14
 - 6. Lubrication.....14
 - 6.1. Permissible Speed.....14
 - 6.2. Type of Grease Nipple.....15
 - 6.3. Locating of Grease Nipple.....15
 - 6.4. Lubricant Grease.....16
 - 6.5. Replenishment of Grease.....16
 - 6.6. Range of Operating Temperature.....17
 - 7. Sealing Devices.....18
 - 7.1. Sealing Devices of Insert Bearings.....18
 - 7.2. End-cover of Housing.....19
 - 8. Handling of Ball Bearing Units.....20
 - 8.1. Bearing Life.....20
 - 8.2. Selection of Ball Bearing Units.....23
 - 8.3. Selection of Shafts.....24
 - 8.4. Limiting Speed.....25
 - 9. Mounting of Ball Bearing Units.....26
 - 9.1. Set Screw Method.....26
 - 9.2. Adapter assembly Method.....27
 - 9.3. Eccentric Locking Collar Method.....27
 - 9.4. Concentric Locking Collar Method.....28
 - 9.5. Axial Movement Due to Expansion and Shrinkage.....28
 - 9.6. Mounting of the Housing.....29
 - 9.7. Maintenance of Bearing Unit.....30
 - 10. FK Ball Bearing Units Numbering System.....31
- IV. FK Ball Bearing Units Types32
- V. Thermoplastic Housing Technical Data.....148
- VI. FK Agricultural Bearings.....155
- VII. FK Plumber Block Housings.....162
- VIII. Bearing Unit Interchange170

FK PILLOW BLOCKS

1 STRUCTURE OF FK PILLOW BLOCKS

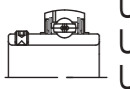
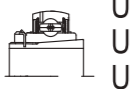
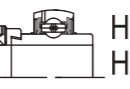

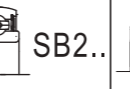
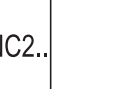
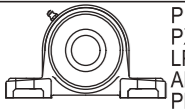
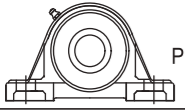
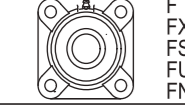


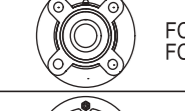
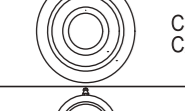
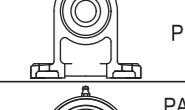
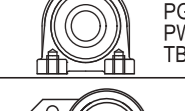





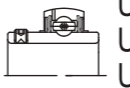
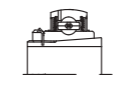
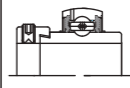
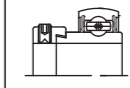
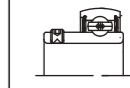




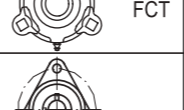



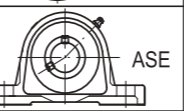
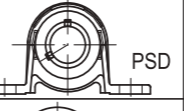





- (A). Grease nipple for supplying lubricating grease.**
- (B). Grease hole.....**Grease groove on outside of the outer race together with two grease holes provides efficient flow of grease to ball and raceways.
- (C). Hollow set screw**Two hollow set screws ensure easy and firm mounting on a shaft.
- (D). One piece cast iron housing**of rigid structure and fault-free.
- (E). Steel plate slinger.....**Perfect sealing with steel slingers and synthetic rubber seals excludes dust efficiently. Centrifugal force generated by shaft rotation also prevents the grease from leaking out of bearing.
- (F). Synthetic rubber seals.....**Synthetic rubber seals placed between the inner ring and the outer ring prevent lubricating grease from leaking as well as preventing moisture and dust from entry.
- (G). Self-aligning surface.....**Self-aligning in any direction enable misaligned shaft to be centered and aligned without distorting seals.

2 COMBINATION TABLES OF INSERT BEARING AND BEARING HOUSINGS

A ball bearing unit consists of a insert bearing and a bearing housing. There are many different ball bearing units available. Following table shows some of the combinations of insert bearings and housings. Also, there are many kinds of insert bearings which are classified according to the method of mounting on the shaft, the bore diameter series, and the outer ring outside profiles, as well as the diameter series and the width series.

Table 1

Housing Type	Insert Bearing Type						
	 UC2.. UC3.. UCX..	 UK2.. UK3.. UKX..	 HC2.. HC3..	 SA2..	 SB2..	 NC2..	
 P PX LP AK PK	UCP2.. UCP3.. UCLP2.. UCPX.. UCAK2.. UCPK2..	UKP2.. UKP3.. UKLP2.. UKPX..	HCP2.. HCP3.. HCLP2..	SAP2.. SALP2..	SBP2.. SBLP2..	NCP2..	
 PE	UCPE2..	UKPE2..	HCPE2..			NCPE2..	
 F FX FS FU FN	UCF2.. UCF3.. UCFS2.. UCFS3.. UCFX.. UCFU2..	UKF2.. UKF3.. UKFX.. UKFU2..	HCF2.. HCF3.. HCFS2.. HCFS3.. HCFU2..	SAF2.. SAFN2..	SBF2.. SBFN2..	NCF2..	
 FL FLX FT FTN	UCFL2.. UCFL3.. UCFLX.. UCFT2..	UKFL2.. UKFL3.. UKFLX.. UKFT2..	HCFL2.. HCFL3.. HCFT2..	SAFL2.. SAFTN2..	SBFL2.. SBFTN2..	NCFL2..	
 T TX ST	UCT2.. UCT3.. UCTX.. UCST2..	UKT2.. UKT3.. UKTX..	HCT2.. HCT3.. HCST2..	SAT2..	SBT2..	NCT2..	
 FC FCX	UCFC2.. UCFCX..	UKFC2.. UKFCX..	HCFC2..	SAFC2..	SBFC2..	NCFC2..	
 C CX	UCC2.. UCC3.. UCCX..	UKC2.. UKC3.. UKCX..	HCC2.. HCC3.. HCCX..	SAC2..	SBC2..		
 PH	UCPH2..	UKPH2..	HCPH2..	SAPH2..	SBPH2..		
 PA PG PW TB	UCPA2.. UCPG2.. UCPW2.. UCTB2..	UKPA2.. UKPW2..	HCPA2.. HCPW2..	SAPA2.. SAPW2..	SBPA2.. SBPW2..	NCPA2..	
 FB	UCFB2..	UKFB2..	HCFB2..	SAFB2..	SBFB2..		
 FA	UCFA2..	UKFA2..	HCFA2..	SAFA2..	SBFA2..		
 HA	UCHA2..	UKHA2..	HCHA2..	SAHA2..	SBHA2..		

Housing Type	Insert Bearing Type				
	 UC2.. UC3.. UCX..	 UK2.. UK3.. UKX..	 HC2.. HC3..	 SA2..	 SB2..
 HE	UCHE2..				
 FD FW				SAFD2.. SAFW2..	SBFD2.. SBFW2..
 LF				SALF2..	SBLF2..
 PFTD FX				SAPFTD2.. SAFX2..	SBPFTD2.. SBFX2..
 FCT				SAFCT2..	SBFCT2..
 CFTR				SACFTR2..	SBCFTR2..
 SHE	UCSHE2..			SASHE2..	SBSHE2..
 CJT CJTZ	UCCJT2..		HCCJTZ2..		
 FE			HCFE2..		
 ASE	UCASE2..		HCASE2..		
 PSD				SAPSD2..	SBPSD2..
 ME	UCME2..		HCME2..		
 PP PR				SAPP2.. SAPR2..	SBPP2.. SBPR2..
 PF				SAPF2..	SBPF2..
 PFL				SAPFL2..	SBPFL2..
PFT				SAPFT2..	SBPFT2..

3 MATERIALS OF BALL BEARING UNITS

3.1 Materials of Insert Bearings

The materials of the race and ball of bearing require enough hardness and the following qualities:

- (1). Large fatigue strength against repeated stress due to fatigue fracture of the race surface which governs the life of the bearing.
- (2). High limit of elasticity and high yield strength to prevent deformation when a large load is applied per unit area.
- (3). Large abrasion resistance against sliding friction between the retainer and the ball.
- (4). High strength against crack due to impact load and failure caused by improper fitting etc.
- (5). Small secular change in dimension and shape due to change of structure or internal stress.

GCr15 Steel <GB/T 18254>(High carbon chromium bearing steel) satisfies the above comparatively well, and its chemical composition is shown in the following table.

Chemical composition of high carbon chromium bearing steel

Table 2

Standard	Symbol	Chemical Composition (%)					
		C	Si	Mn	P	S	Cr
GB	GCr15	0.98~1.10	0.15~0.35	< 0.50	< 0.025	< 0.025	1.30~1.60
DIN	100Cr6						
ASTM	E5200						
JIS	SUJ2						

Chemical composition of stainless steel

Table 3

Standard	Symbol	Chemical Composition (%)					
		C	Si	Mn	P	S	Cr
GB	9Cr18	0.98~1.10	< 1.00	< 1.00	< 0.025	< 0.025	16.00~18.00
DIN	X105CrMO17						
ASTM	440C						
JIS	SUC440C						

In order to maintain uniform quality of materials, FK keeps fully equipped installations and performs strict acceptance tests and inspections based on the strict acceptance standards in addition to GB- standards.

Kinds of test done at the FK are mainly chemical analysis, magnetic exploration, ultrasonic exploration, corrosion by strong acid, inspection of structure by naked eyes, inspection of structure by microscope, crusher test and hardness etc.

Materials of Insert Bearing Components

Table 4

Components	Materials used	Symbol	GB number
Cage*	Cold rolled carbon steel sheet and strip	08	GB/T 13237
Rivet	Heat-rolled round steel	ML15	GB/T 715
Seal	Nitrile Butadiene Rubber<NBR>	-	-
Slinger	Cold rolled carbon steel sheet and strip	08	GB/T 13237
Hexagon set screw	Nickel chromium molybdenum steel	35CrMo	GB/T 3077

* Nylon cage is available

3.2 Materials of Housings

The material of the housings is HT200 GB/T 9439(Cast iron) and the mechanical properties are shown in the following table.

Mechanical properties of cast iron HT200

Table 5

symbol	Thickness (mm)	Dia. Of testing bar (mm)	Tensile strength	Bend strength	Deflecti on	Pressure strength	Hardness
			(kgf/mm ²)	(kgf/mm)	(mm)	kgf/mm ²	(HB)
HT200	6~8	13	Over 23	53	1.8	75	187~255
	8~15	20	Over 22	45	2.5	75	170~241
	15~30	30	Over 20	40	2.5	75	170~241
	30~50	45	Over 17	34	3.0	75	170~241
	>50	60	Over 16	31	4.5	75	163~299

Other Materials of Housings

Table 6

Materials used	Symbol	GB number
Ductile iron	QT400	GB/T 1348
Press steel	08	GB/T 13237
Stainless steel	0Cr18Ni9	GB/T 1220
Thermoplastic	PBT	-
Rubber	NBR	-

3.3 Materials of Other Accessories

Table 7

Accessories	Materials used	symbol	GB number
Sleeve for adapter	Carbon steel for machine structural use	45	GB/T 699
Nut for adapter	Carbon steel for machine structural use	45	GB/T 699
Washer for adapter	Cold rolled carbon steel sheet and strip	08	GB/T 13237
Hexagon wrench key	Nickel chromium molybdenum steel	45	GB/T 699
Grease nipple	Cold heading steel wires	08L	GB/T 6478

4 ACCURACY OF BALL BEARING UNITS

4.1. Radial Internal Clearance of Insert Bearings

The radial internal clearance of the insert bearing is same with the reference value of GB/T 4604-2006 deep groove ball bearings. Generally, the N clearance is adopted for cylindrical bore bearings and tapered bore bearings. When the environmental temperature is very high or when the temperature difference between the outer and inner rings is large, a larger clearance must be adopted because the clearance decreases due to thermal expansion of the bearings materials and temperature gradient in the bearing.

4.1.1. Cylindrical bore insert bearings

Table 8
Unit = 0.001mm

Bore diameter d (mm)		C ₂		N		C ₄		C ₅	
over	incl.	min.	max.	min.	max.	min.	max.	min.	max.
10	18	3	18	11	25	18	33	25	45
18	24	5	20	13	28	20	36	28	48
24	30	5	20	13	28	23	41	30	53
30	40	6	20	15	33	28	46	40	64
40	50	6	23	18	36	30	51	45	73
50	65	8	28	23	43	38	61	55	90
65	80	10	30	25	51	46	71	65	105
80	100	12	36	30	58	53	84	75	120
100	120	15	41	36	66	61	97	90	140
120	140	18	48	41	81	71	114	105	160

4.1.2. Tapered bore insert bearings

Table 9
Unit = 0.001mm

Bore diameter d (mm)		C ₂		N		C ₄	
over	incl.	min.	max.	min.	max.	min.	max.
10	18	10	25	18	33	25	45
18	24	12	28	20	36	28	48
24	30	12	28	23	41	30	53
30	40	13	33	28	46	40	64
40	50	14	36	30	51	45	73
50	65	18	43	38	61	55	90
65	80	20	51	46	71	65	105
80	100	24	58	53	84	75	120
100	120	28	66	61	97	90	140
120	140	33	81	71	114	105	160

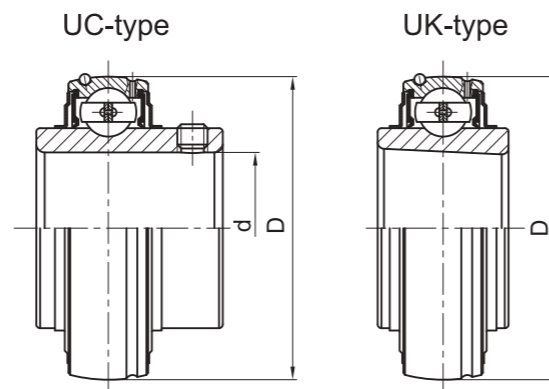
4.2. Dimensional Accuracies of Insert Bearings

The dimensional accuracy of FK insert bearings follows the dimensional accuracy prescribed in ISO/TC4/SC6 insert bearings for ball bearing units.

4.2.1. Accuracies of outer ring

Table 10
Unit = 0.001mm

D (mm)		ΔDmp		Kea
over	incl.	max.	min.	max.
30	50	0	-11	20
50	80	0	-13	25
80	120	0	-15	35
120	150	0	-18	40
150	180	0	-25	45
180	250	0	-30	50
250	315	0	-35	60



D-----outside diameter of bearing.

ΔDmp---deviation of mean outside diameter

Kea----radial runout of outer ring.

4.2.2. Accuracies of inner ring

Table 11
Unit = 0.001mm

d (mm)		Cylindrical bore insert bearing								Kia
		Bore diameter						ΔBs, ΔCs		
		UC, HC, SA, SB, SER			CS					
		over	incl.	max.	min.	max.	min.	max.	min.	
10	18	+15	0	10	0	-8	6	0	-120	15
18	30	+18	0	12	0	-10	8	0	-120	18
30	50	+21	0	14	0	-12	9	0	-120	20
50	80	+24	0	16	0	-15	11	0	-150	25
80	120	+28	0	19	-	-	-	0	-200	30
120	180	+33	0	22	-	-	-	0	-250	35

d---bore diameter.

Δdmp-deviation of mean bearing bore diameter in a single plane.

Vdp----variation of bearing bore diameter in a single radial plane.

ΔBs----deviation of a single inner ring width.

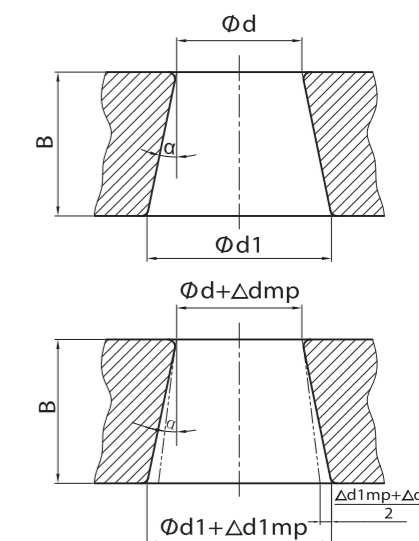
ΔCs----deviation of a single outer ring width.

Kia----radial runout of inner ring.

4.2.3. Accuracies of tapered bore

Table 12
Unit = 0.001mm

mm		Δdmp		Δd1mp- Δdmp		Vdp ¹⁾
over	incl.	max.	min.	max.	min.	max.
18	30	+33	0	+21	0	13
30	50	+39	0	+25	0	15
50	80	+46	0	+30	0	19
80	120	+54	0	+35	0	25
120	180	+63	0	+40	0	31



1). Applies in any single radial plane of the bore.

d--- bore diameter

d1---diameter at the theoretical large end of a basically tapered bore $d1 = d + 1/12B$.

Δdmp-deviation of mean bore diameter in a single plane (for a basically bore, dmp refers to the theoretical small end of the bore).

Δd1mp-deviation of mean bore diameter in a single plane at the theoretical large end of a basically tapered bore.

Vdp----variation on bore diameter in a single radial plane.

B-----inner ring width.

a-----the taper angle (half the cone angle) is

$$a = 2^\circ 23' 9.4'' = 2.38594^\circ = 0.041643 \text{ rad.}$$

Tolerance in distance n from center line of spherical outer ring to side of inner ring

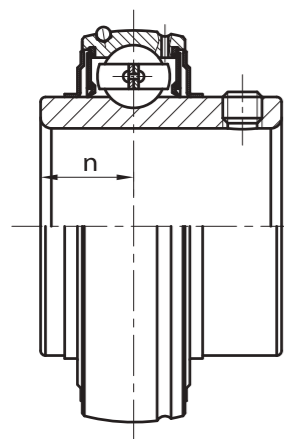


Table13
Unit = 0.001mm

Nominal dimensions of bore diameter d (mm)		Tolerance of n
over	incl.	
-	50	±200
50	80	±250
80	120	±300
120	-	±350

4.3 Dimensional Accuracies of Housings

The dimensional accuracy of FK housing follows the dimensional accuracy prescribed in GB/T27560 housings for ball bearing units. The spherical inside diameter of FK housing follow the dimension prescribed as fitting symbol J.

4.3.1. Tolerance of spherical bore diameter of housings

Table14
Unit = 0.001mm

Nominal dimension of spherical bore diameter D. (mm)	Housing for loose fit				Housing for sliding fit				Housing for sliding fit				
	Symbol H				Symbol J				Symbol K				
	D1m		D1		D1m		D1		D1m		D1		
over	incl.	max.	min.	max.	min.	max.	min.	max.	min.	max.	min.	max.	min.
30	50	+25	0	+30	-5	+14	-11	+19	-16	+7	-18	+12	-23
50	80	+30	0	+36	-6	+18	-12	+24	-18	+9	-21	+15	-27
80	120	+35	0	+42	-7	+22	-13	+29	-20	+10	-25	+17	-32
120	180	+40	0	+48	-8	+26	-14	+34	-22	+12	-28	+20	-36
180	250	+46	0	+55	-9	+30	-16	+39	-25	+13	-33	+22	-42
250	315	+52	0	+62	-10	+36	-16	+46	-26	+16	-36	+26	-46

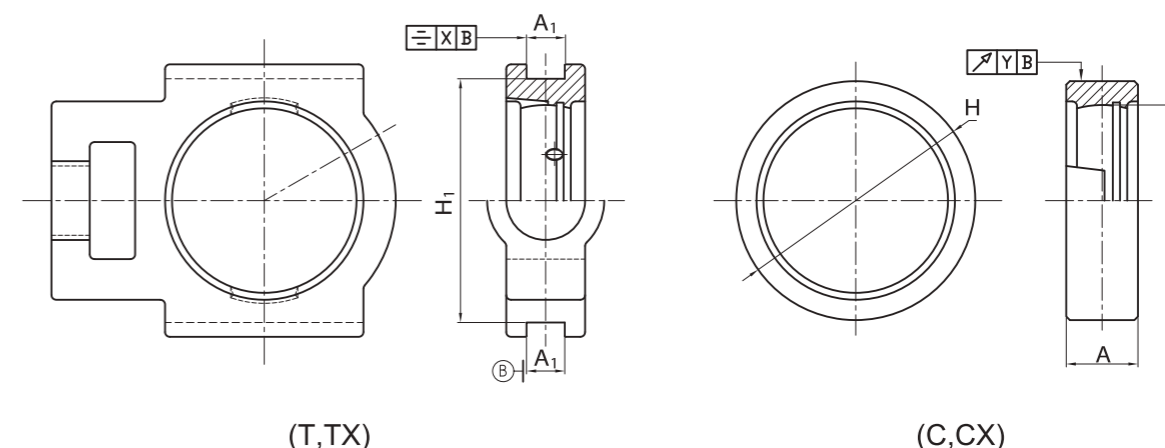
Notes: a).D1m is given by the following equation, where D1max and D1min in the equation are maximum and minimum values measured respectively.

$$D1m = \frac{D1max. + D1min.}{2}$$

b). Dimensional tolerance for spherical inside of housings are divided into loose fit H, sliding fit J and sliding fit K.

c). When the contained bearing are equipped with locking-pins, loose fit is applied.

4.3.4. Dimensional accuracies of Take-up and Cartridge type housings

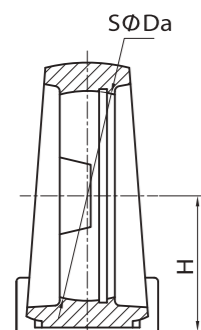


Tolerance of Housings

Table15
Unit = 0.001mm

Housing No. T	ΔA ₁	ΔH ₁	x (≤)	Housing No. C	ΔH						Y (≤)	ΔA
					C 2..		CX..		C 3..			
					max.	min.	max.	min.	max.	min.		
204	-	-		204	-	-	-	-	-	-		
205	X05	305		205	X05	305	0	-30				
206	X06	306		206	X06	306			0	-35	0	-35
207	X07	307	+200	207	X07	307					200	±200
208	X08	308	0	208	X08	308						
209	X09	309	-500	209	X09	309	0	-35				
210	X10	310		210	X10	310						
211	X11	311		211	X11	311			0	-40		
212	X12	312		212	X12	312	0	-40				
213	X13	313		213		313						
214	X14	314		-	-	314					300	
215	X15	315		-	-	315						
216	X16	316		-	-	316						
217	X17	317	+300	-	-	317				0	-46	
-	-	318	0	-	-	318						±300
-	-	319	-800	-	-	319						
-	-	320		-	-	320						
-	-	321		-	-	321						
-	-	322		-	-	322				0	-52	
-	-	324		-	-	324						400
-	-	326		-	-	326				0	-57	
-	-	328		-	-	328						

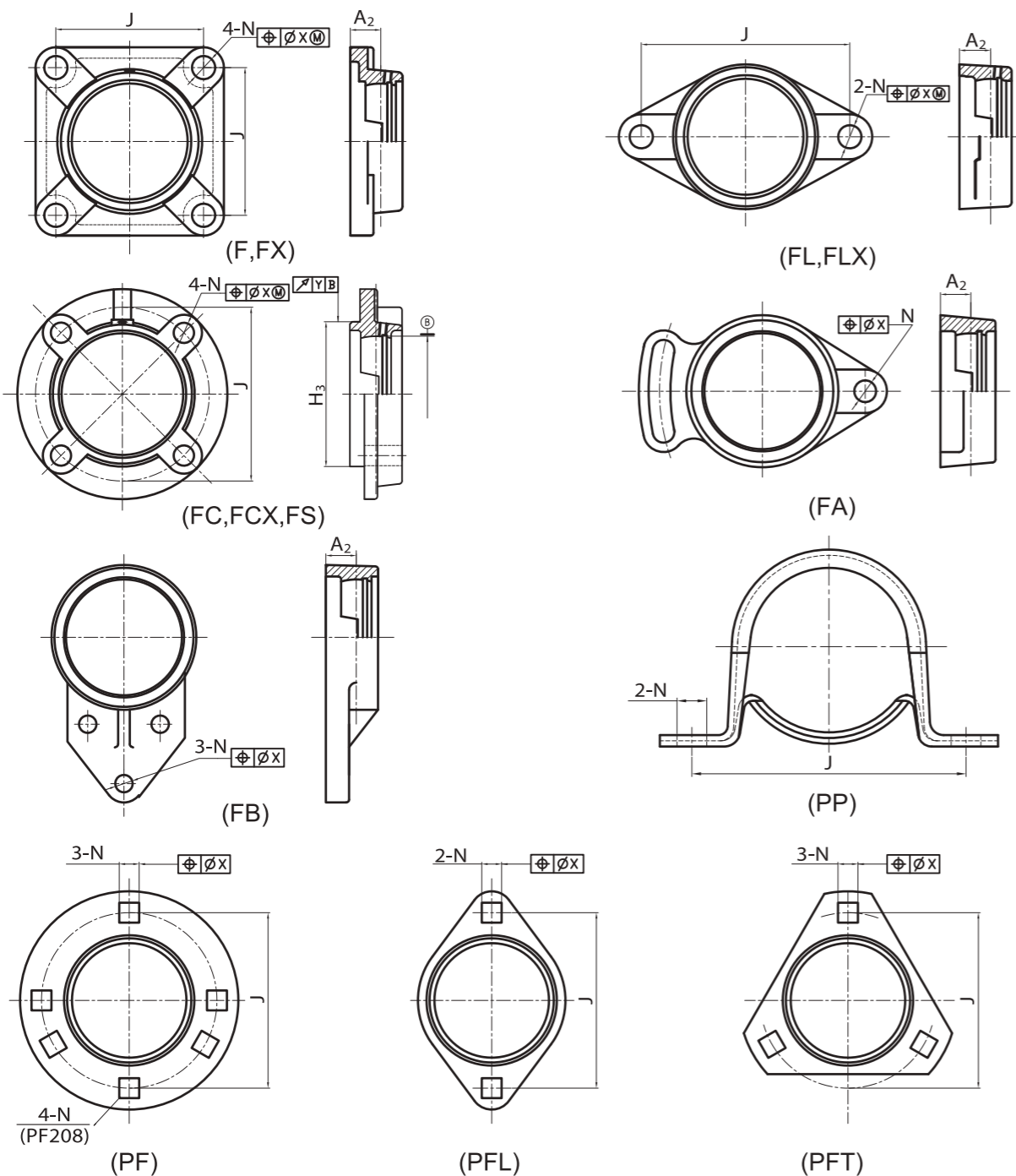
4.3.2. Dimensional Accuracies of Pillow Block-type Housings



Tolerance of pillow block center height Table16
Unit = 0.001mm

Housing No. P.LP.PH.PA.PW.PE.PK	Tolerance of H
203-210 X05-X10 305-310	±150
211-218 X11-X18 311-318	±200
- X20 319-328	±300

4.3.3. Dimensional Accuracies of Flange-type Housings



Tolerance of Housings

Table17
Unit = 0.001mm

Housing No. F,FL,FA,FB	X (≤)	ΔA ₂	Housing No. FC, FS	Tolerance of ΔH ₃						X (≤)	ΔA ₂	Y (≤)						
				FC 2..		FCX..		FS 3..										
				max	min	max	min	max	min									
204 - -	700	±500	204 - -	0	-46	-	-	-	-	700	±500	200						
205 X05 305			205 X05 305	0	-46	0	-46	0	-46									
206 X06 306			206 X06 306	0	-54	0	-54	0	-54									
207 X07 307			207 X07 307															
208 X08 308			208 X08 308															
209 X09 309			209 X09 309															
210 X10 310			210 X10 310	1000	±800	0	-63	0	-63				0	-63	1000	±800	300	
211 X11 311			211 X11 311															
212 X12 312			212 X12 312															
213 X13 313			213 X13 313															
214 X14 314	214 X14 314																	
215 X15 315	215 X15 315																	
216 X16 316	216 X16 316																	
217 X16 317	217 X16 317																	
218 X18 318	218 X18 318	0	-72							0	-72	0						-72
- - 319	- - 319																	
- X20 320	- X20 320																	
- - 321	- - 321																	
- - 322	- - 322																	
- - 324	- - 324																	
- - 326	- - 326																	
- - 328	- - 328			0	-81	0	-81											
- - 319	- - 319																	
- X20 320	- X20 320																	
- - 321	- - 321																	
- - 322	- - 322																	
- - 324	- - 324																	
- - 326	- - 326																	
- - 328	- - 328	0	-89					0	-89									
- - 319	- - 319																	
- X20 320	- X20 320																	
- - 321	- - 321																	
- - 322	- - 322																	
- - 324	- - 324																	
- - 326	- - 326																	
- - 328	- - 328																	

Unspecified tolerance of castings

Table18
Unit = 1mm

Thickness		Tolerance Δ	Thickness		Tolerance Δ
over	incl.		over	incl.	
-	120	±1.5	-	-	-
120	250	±2.0	-	10	±1.5
250	400	±3.0	10	18	±2.0
400	800	±4.0	18	30	±3.0
800	1600	±6.0	30	50	±3.5

Tolerance of pressed steel housings

Table19
Unit = 1mm

Housing No.	ΔN	Tolerance of J	Housing No.	ΔN	Tolerance of mounting hole position
PP203-208	±0.5	±0.4	PF203-208 PFL203-208 PFT203-208	±0.2	0.4

5 Allowable loading capacity of cast iron housing

FK cast iron housing is produced by high quality HT200 material, and designed to meet insert bearing loading capacity. However, housing strength must be taken into consideration under low speed heavy load or impact load and other special application.

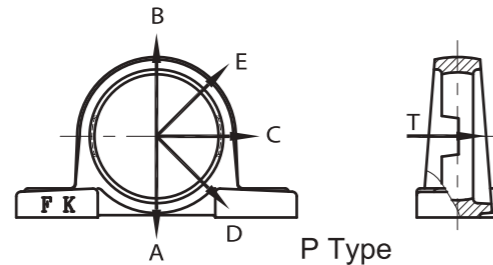
5.1 Destruction strength of cast iron housing

FK housing lab gets following data by many years research and test. This is the average destruction strength under static loading, so $\pm 30\%$ deviation must be considered. Cast iron housing has many good properties, but it is fragile under impact load, so safety factor must be considered.

Table20

Load type	Static load	Dynamic load		
		Repeated load	Alternating load	Variable load Impact load
Safety factor	4	6	10	15

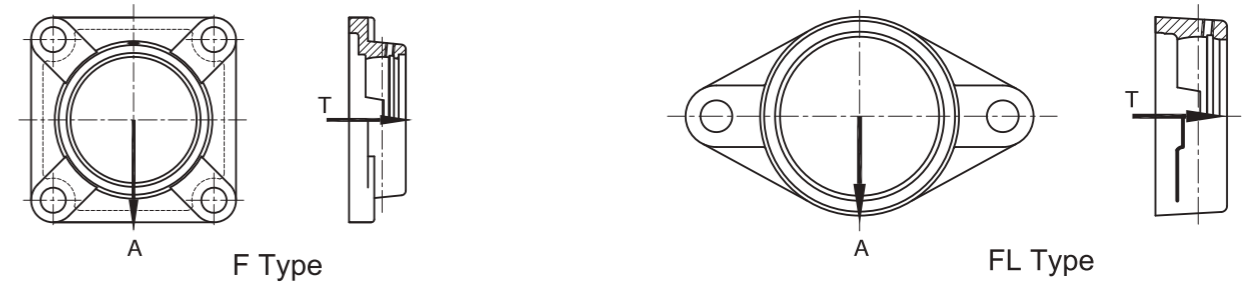
* Some applications may have impact load, such as crane, windlass, air compressor, rolling mill etc, must consider cast steel or ductile iron housing for these applications.



Destruction strength of cast iron housing

Table21
KN

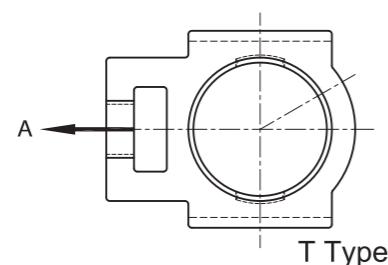
Housing No.	Direction A,D	Direction C	Direction B	Direction E	Direction T	Housing No.	Direction A,D	Direction C	Direction B	Direction E	Direction T
P204	70.4	50.8	31.9	25.5	13.8	P307	122.4	74.0	54.8	44.0	26.0
P205	80.0	53.5	33.7	27.5	15.0	P308	145.6	63.2	61.6	50.0	28.0
P206	91.5	59.4	37.6	31.5	17.0	P309	172.0	94.4	68.8	56.8	30.8
P207	104.6	67.2	43.0	36.6	20.0	P310	198.4	105.2	76.4	64.4	34.4
P208	119.0	76.6	49.2	42.3	23.0	P311	228.0	117.6	84.8	72.0	38.4
P209	135.3	87.0	56.5	48.5	26.6	P312	258.4	131.2	93.6	80.8	42.4
P210	153.7	98.9	64.4	55.7	31.0	P313	292.8	146.8	103.2	90.4	48.4
P211	172.9	110.8	72.5	63.1	34.5	P314	328.0	164.0	113.6	101.6	54.0
P212	195.4	123.8	81.7	71.0	39.8	P315	363.2	182.4	125.2	111.2	60.8
P213	217.5	137.4	91.1	79.2	44.7	P316	398.4	203.2	138.0	124.0	67.2
P214	242.6	151.8	100.9	88.2	50.5	P317	437.6	227.2	152.8	136.8	75.2
P215	270.2	166.6	111.6	97.5	56.4	P318	478.4	253.6	167.2	150.4	83.6
P216	297.6	182.2	122.4	107.1	62.4	P319	520.0	280.8	185.2	164.8	92.8
P217	327.8	198.0	133.8	117.7	69.1	P320	564.0	312.0	204.0	180.4	102.8
P218	360.0	213.2	144.9	128.2	76.5	P321	607.2	344.8	224.0	196.8	113.2
						P322	651.2	380.0	246.4	214.4	123.2
P305	79.2	57.6	42.4	35.2	21.6	P324	740.0	452.8	292.0	251.2	146.8
P306	100.0	64.8	48.8	39.2	23.2	P326	834.4	532.0	340.0	292.8	172.4



Destruction strength of cast iron housing

Table22
KN

Housing No.	Direction A	Direction T	Housing No.	Direction A	Direction T
F204	66.8	15.0	FL204	44.2	16.1
F205	71.6	17.8	FL205	54.2	20.1
F206	77.0	19.6	FL206	63.4	24.0
F207	83.7	22.5	FL207	73.8	28.7
F208	91.0	26.5	FL208	84.0	32.9
F209	99.0	31.1	FL209	93.7	36.8
F210	107.3	36.4	FL210	102.9	40.8
F211	115.9	42.2	FL211	111.3	44.7
F212	125.0	48.7	FL212	118.8	48.0
F213	134.5	55.8	FL213	126.2	51.6
F214	144.9	63.4	FL214	133.5	54.3
F215	155.2	71.4	FL215	140.0	58.4
F216	166.3	79.4	FL216	146.3	61.6
F217	176.8	87.8	FL217	152.4	65.6
F218	187.9	95.8	FL218	157.8	72.9
F305	86.8	21.6	FL305	47.4	21.9
F306	89.6	27.2	FL306	57.5	28.2
F307	108.0	32.8	FL307	68.9	34.2
F308	121.2	38.4	FL308	80.6	40.8
F309	134.8	45.2	FL309	93.6	47.0
F310	149.6	51.6	FL310	106.6	53.8
F311	162.4	58.8	FL311	117.8	59.4
F312	177.6	66.4	FL312	129.0	65.4
F313	193.2	74.0	FL313	139.5	71.0
F314	208.8	83.2	FL314	151.1	76.9
F315	226.4	92.8	FL315	161.1	82.4
F316	243.2	102.4	FL316	171.0	87.9
F317	262.0	113.6	FL317	181.0	93.7
F318	281.6	125.6	FL318	190.5	99.2
F319	300.0	138.0	FL319	199.8	104.6
F320	319.2	151.2	FL320	209.5	110.4
F321	337.6	164.8	FL321	218.3	116.0
			FL322	225.8	121.0



Destruction strength of cast iron housing

Table23 KN

Housing No.	Direction A	Housing No.	Direction A	Housing No.	Direction A
T204	26.7	T216	115.0	T313	113.5
T205	32.6	T217	124.6	T314	126.2
T206	38.6	T218	134.2	T315	140.2
T207	45.0			T316	154.1
T208	51.9	T305	38.9	T317	168.4
T209	59.1	T306	44.6	T318	184.9
T210	66.8	T307	51.3	T319	199.1
T211	74.2	T308	59.3	T320	216.7
T212	82.0	T309	67.4	T321	232.1
T213	89.8	T310	77.6	T322	249.5
T214	98.2	T311	89.0	T324	285.0
T215	106.5	T312	100.8	T326	320.8

5.2 Allowable Load of Pressed Housings

Pressed housing shows deformation when subjected to heavy load. The deformation depends upon direction and amount of the load, form of the housing and thickness of steel plate. Therefore, the allowable load of the pressed housing must be such an amount that deformation of the housing may not disturb the function.

The allowable radial load of pressed housing is approximately 1/6 of the bearing basic dynamic load rating (Cr), and allowable axial load of pressed housing is approximately 1/18 of the bearing basic dynamic load rating (Cr).

6 LUBRICATION OF BALL BEARING UNITS

6.1 Permissible Speed

Permissible speed of a insert bearing is expressed normally in terms of dn value (Bearing bore diameter mm x operating speed r.p.m.), although it is influenced by the shape, size, lubricant type and seal device. The permissible speed can be roughly determined by the sliding speed at the friction part of the holding device and rolling body. In the case of ball bearing unit, it is provided with grease sealed by the oil seals and slingers. Accordingly, the friction resistance at seal contact yields also a large influence on the permissible speed.

When such factors are taken into consideration, the permissible speed is given as follows:

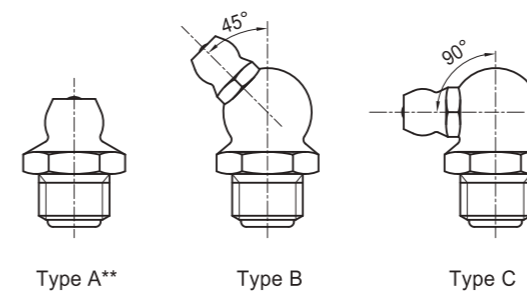
$$Dn \leq 150,000 \quad [dn=d \times n]$$

Whereas, **d**: Bearing bore diameter (mm)

n: Operating speed (r.p.m.)

6.2 Type of Grease Nipple

Table24

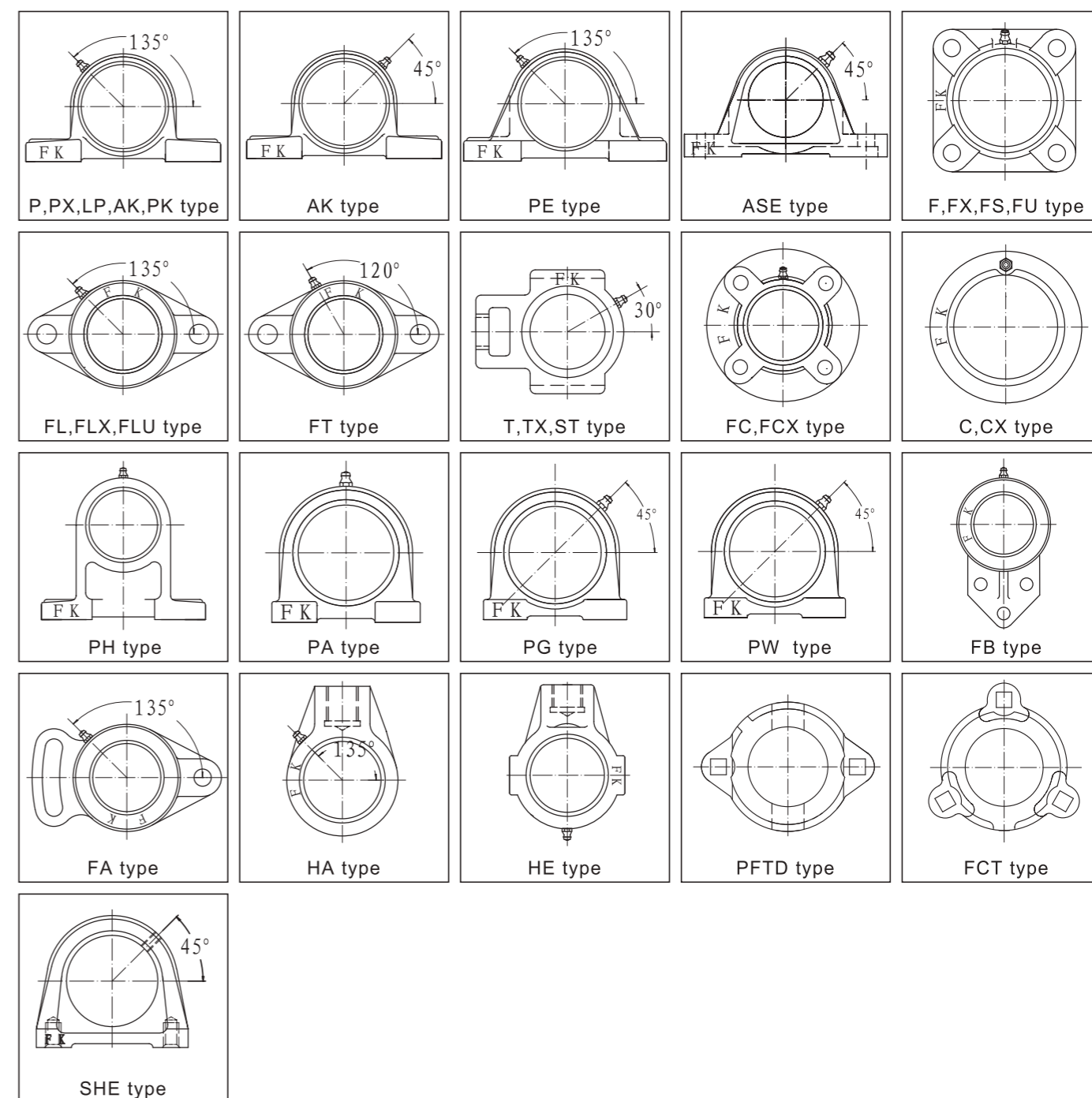


Applicable housing		Type of grease nipple*
Type	No.	
P(PX),F(FX), FL(FLX),FC(FCX) T(TX),C(CX),PH PA,PW,PG,LP, FS,FD,FW,FT,FU, FA,FB,HA,HE,LF AK,PK,PE,FLU	203(S)~210 305~309 X05~X09	M6X1
	211~215 310~315 X10~X14	M8X1
	216~218 316~328 X15~X20	M10X1

* Inch size grease nipple is available

** Type A is standard on all relubricatable housings

6.3 Locating of Grease Nipple



6.4 Lubricant Grease

Ball bearing units adopts the lubrication mechanism by grease. Since the insert bearing itself is required high precision, the grease must be in particularly fine quality.

Various types of grease are sold in the market; each having different combination of mineral oil and metal saponification radical. Among them, lithium saponification radical grease is usually called, "Multi-purpose Grease". It has outstanding properties of heat resistance, low temperature resistance, water expellent and mechanical stability; it is most suitable for a ball bearing unit.

At present, "Lithium-base grease 2" grease is used for the standard product of FK and is lithium saponification radical grease. It is most suitable for the insert bearing.

6.5 Replenishment of Grease

Since the high quality grease is used for the ball bearing unit, the grease can be used for a considerable time without the grease supply, if the insert bearing working condition is favorable and the operation temperature is not too high.

However, even if the best quality grease is used, the quality deterioration cannot be prevented as the time passes by. When the dust or moisture surrounds the insert bearing too much or the insert bearing is subjected to the high temperature, the grease must be supplied periodically according to the grease deterioration.

FK ball bearing unit has such a construction so as to allow the grease replenishment during the use. Grease is injected into the grease nipple by use of the grease gun. Through the oil groove provided in the bearing outer ring and the oil hole, it is supplied to the inside of bearing.

The grease supply interval is dependent on the kind and quality of the grease to be used as well as the operations conditions of the bearing. Under the normal operation condition, however, the value as obtained by the following formula is recommended.

$$N = 10^{10} / d$$

Whereas, **N**: Total rotation number until the replenishment or replacement

d: Bearing bore diameter(mm)

If the revolution number per minute constant, the replenishment interval is expressed in terms of the time as follows:

Whereas **H**: Replenishment interval(hr)

n: Operating speed(r.p.m.)

$$H = \frac{1 \times 10^{10}}{60n \cdot d}$$

Different from the previous calculation data, the following table shows the approximate grease supply interval obtained empirically from various ambient conditions and bearing operation temperatures.

Grease supply period

Table25

Ambient condition	Bearing operation temp(°C)		Supply period	
	over	below	dn: under 50000	dn: over 50000
Fairly clean	-	50	Non~supply	1.5~3 years
	50	70	1~2 years	6~12 months
	70	100	4~8 months	1~3 months
	100	-	2~4weeks	1~2 weeks
Somewhat dusty	-	50	1~2 years	6~12 months
	50	70	4~8 months	2~4 months
	70	100	3~6 weeks	2~4 weeks
	100	-	1~2 weeks	Every week
Considerably dust	-	70	1~2 months	3~6 weeks
	70	100	2~4 weeks	1~2 weeks
	100	-	1~7 days	1~3 days
Much moisture and water splash	-	-	1~3 days	Every day

6.6 Range of operating temperature

As Bearing Units are used not only in normal temperature but also in high or low temperature in many applications.

Bearing Units for heat-resistance or cold-resistance application are available by using suitable kind of rubber seal and grease for specific operating temperature as shown in Following table.

For heat-resistance application, decrease of load rating of the insert bearing must be taken into consideration and larger radial internal clearance of the insert bearing than normal application be taken.

Standard radial internal clearances for heat-resistance application are C5 HT20 for cylindrical bore insert bearing, and C4 for tapered bore insert bearing.

When temperature differential between bearing inner ring and outer ring is extremely large, suitable radial internal clearance must be determined.

Note: For application where operating temperature exceeds 150°C,consult us along with data of specification and operating condition.

Range of operating temperature

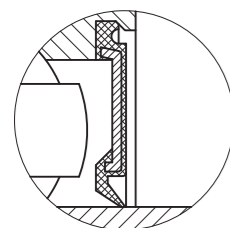
Table26

Type	Range of operating temperature C (F)	Grease	Rubber seal	Color of slinger
Ordinary application	-15 to +100 (-5 to +212)	Lithium-Base Grease 2	Nitril rubber (NBR)	Black
Heat resistance application HT20	Normal to +200 (Normal to +392)	Egols-8604	Silicon rubber	red
Cold resistance application LT4	-40 to Normal (-40 to normal)	Esso Beacon 325	silicon rubber	Silver

7 SEALING DEVICES

Following kinds seals are used as the sealing device of FK ball bearing units. By selecting the sealing device which is most suitable to the application condition, longer bearing life can be guaranteed.

7.1 Sealing devices of insert bearings :

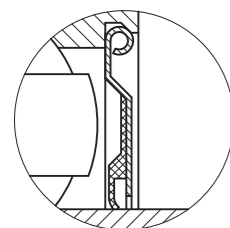


J type rubber seal

Synthetic rubber is adhered by baking to the core piece. It is inserted into groove of the outer ring and fitted on the inner ring outer diameter. It has low friction, high property in oil resistance and good mechanical stability.

Applicable bearing: SB, SA, JB, CS series

▲ J type rubber seal is standard on SB,JB,CS series

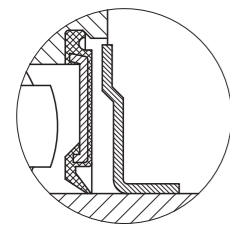


H type metal seal

Synthetic rubber is baked at the inside of steel plate and is fixed with the outer ring of bearing. The inner ring outer diameter contacts synthetic rubber reasonably so that the friction resistance will be lessened. The steel plate protects the rubber seal. This combined effect ensures the long service life even under considerably unfavorable conditions.

Applicable bearing: SA, SB, JA series

▲ H type metal seal is standard on SA,JA series

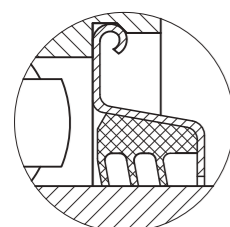


SL type Dual seal

This is the original sealing device. Oil seal is fixed in the outer ring inner diameter groove, while the slinger is set at the inner ring outer diameter. Furthermore, the simultaneous revolution with inner ring generates the wind pressure for dust-proof property. This constitutes the ideal labyrinth, effective dust-proof property is thus guaranteed.

Applicable bearing: UC, HC, UK, UCX, SER, NC, ERC series

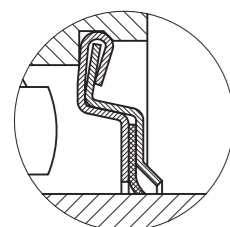
▲ SL type dual seal is standard on UC,HC,UK,UCX,SER series



L₃ type Triple-lip seal

The metal cap and synthetic rubber seal are baked together to form a single seal. Seal lip has sufficient tightening allowance. Furthermore, the lip layers are of triple construction and the foreign matters such as dust, water etc are completely shut out. This sealing shows its outstanding performance under bad conditions.

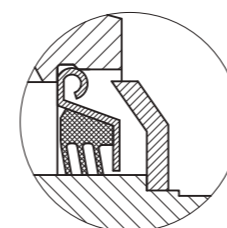
Applicable bearing: UC,HC,UCX,SER,NC,ERC series



F type seal

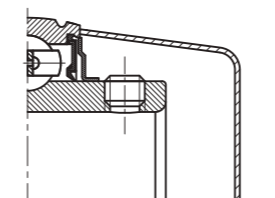
F seal consists of inner steel plate, outer steel plate and a rubber washer, it is fixed in the outer ring groove, therefore, it will not be loose which may be caused by over grease or impact vibration during assembly.

Applicable bearing: UC,HC,UK,UCX,SA,SB,SER,NC,JA,JB,ERC series



Combined seal

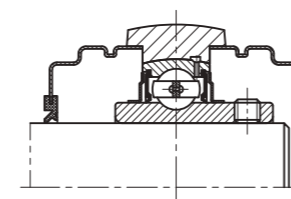
A protection shield or slinger is added base on triple lip seal, better seal performance is got for severe ambient conditions.



Bearing cover

A cover is installed on the bearing outer ring outer diameter, it can protect the bearing seal under severe ambient conditions.

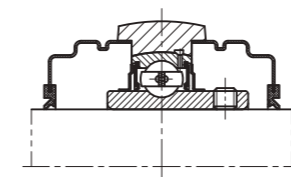
7.2 End-cover of Housing



With closed press steel cover

Closed cover are installed on the housing, results in housing cover and bearing seal double sealing devices construction. This construction can guarantee bearing life even under severe ambient conditions.

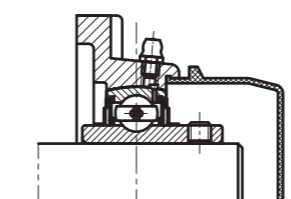
Avoid touching rotation part to ensure security



With opened press steel covers

Opened covers are installed on the housing, results in housing cover and bearing seal double sealing devices construction. This construction can guarantee bearing life even under severe ambient conditions.

Avoid touching rotation part to ensure security



With closed plastic cover

Closed cover are installed on the housing, results in housing cover and bearing seal double sealing devices construction. This construction can guarantee bearing life even under severe ambient conditions.

Avoid touching rotation part to ensure security

8 HANDLING OF BALL BEARING UNITS

8.1 Bearing life

Even in bearings operating under normal conditions, the surfaces of the raceway and rolling elements are constantly being subjected to repeated compressive stresses which cause flaking of these surfaces to occur. This flaking is due to material fatigue and will cause the bearings to fail. The bearing life of a insert bearing is usually defined in terms of a insert bearing can undergo before flaking.

Some insert bearing failure is caused by seizing, abrasions, cracking, chipping, gnawing, rust etc, since these are caused by improper installation, insufficient or improper lubrication, faulty sealing or inaccurate bearing selection, they must be considered separately from bearing life.

8.1.1 Basic load rating and rated life

Basic load rating includes basic dynamic load rating and basic static load rating. The load applied to the insert bearing operating under a speedy rotating ($n > 10r/min$) condition is defined as dynamic load C , while the load applied to the bearing operating under a static or slow oscillating and rotating ($n \leq 10r/min$) condition is defined as static load C_0 . Insert bearing is a kind of radial ball bearing, mainly take radial force. So, the basic load rating is radial basic dynamic load C_r and radial basic static load C_{0r} .

Basic dynamic load rating C_r : the basic dynamic load rating is an expression of the load capacity of a bearing based on a constant load which the bearing can sustain for one million revolutions.

Basic static load rating C_{0r} : the maximum applied radial load for contact stress occurring at the rolling element and raceway contact points.

- 4600MPa for self aligning ball bearing
- 4200MPa for radial ball bearing
- 4000MPa for radial roller bearing

The load capacity of the bearing is expressed by the basic dynamic load rating and basic static load rating which is shown in the bearing dimension page.

Life: The life of a rolling bearing is defined as the total number of revolutions which the bearing is capable of enduring before the first evidence of fatigue flaking develops on any one of the rings or rolling elements.

Reliability: The reliability is the percentage of the bearing of a group of apparently identical bearings operating under identical conditions which can expect to attain or exceed a certain defined life. The reliability of an individual bearing is the probability of the bearing to attain or exceed a defined life.

Basic rating life: For a group of apparently identical rolling bearings operating under identical conditions, the basic rating life is defined as the total number of revolutions that 90% of the bearings can be expected to complete or exceed.

According to national standard GB/T6391-2003 (equaling to ISO281: 1990), the basic rating life of radial ball bearing is calculated by following formula:

$$L_{10} = \left(\frac{C_r}{P_r} \right)^3$$

or $\frac{C_r}{P_r} = L_{10}^{1/3}$

Where: L_{10} : basic rating life(10^6 r)
 C_r : basic dynamic load rating
 P_r : equivalent dynamic load

Equivalent dynamic load P_r : the equivalent dynamic load is a constant load with a fixed direction under

which the bearing life is identical to that of the bearing operating under actual load.

For a insert bearing operating with a constant rotation speed, the basic rating life can be expressed in terms of hours of operation, and is calculated in following formula:

$$L_{10h} = \frac{10^6}{60n} \left(\frac{C}{P} \right)^3$$

or $L_{10h} = \frac{10^6}{60n} L_{10}$

$$= \frac{16666}{n} \left(\frac{C}{P} \right)^3$$

Where: L_{10h} = basic rating life (hours)
 n = bearing rotation speed (r/min)

If the bearing operates under indeterminate loads and rotation speed, the following formula should be applied when calculating bearing rating life:

$$P_m = \sqrt[3]{\frac{\int_0^N P^3 dN}{N}}$$

Where: P_m = mean equivalent dynamic load
 P = equivalent dynamic load
 N = total revolution numbers within one load changing cycle

8.1.2 Calculation method of equivalent dynamic load

The basic equivalent dynamic load is determined under a hypothetical condition. When calculating the bearing life, the actual load has to be converted into equivalent dynamic load which is in confirm with the load condition determining the equivalent dynamic load rating.

General equation for calculating the equivalent dynamic load:

$$P = XFr + YFa$$

Where P = equivalent dynamic load (N);
 Fr = actual radial load (N)
 Fa = actual axial load (N)
 X = radial factor
 Y = thrust factor

The axial load which insert bearing can carry is determined by the mounting method of the bearings on the shafts.

For the setscrews locking type or eccentric locking collar type bearings, if flexible shafts are applied and the setscrews are tightened enough, the axial load Fa which the bearing can carry must not surpass 20% of the radial load Fr .

For the adapter sleeve locking type bearing, if the nuts are properly tightened, the axial load Fa can be maximum 15% ~ 20% of the radial load Fr .

The values of radial and thrust factors X and Y for insert bearings can be obtained from the following table:

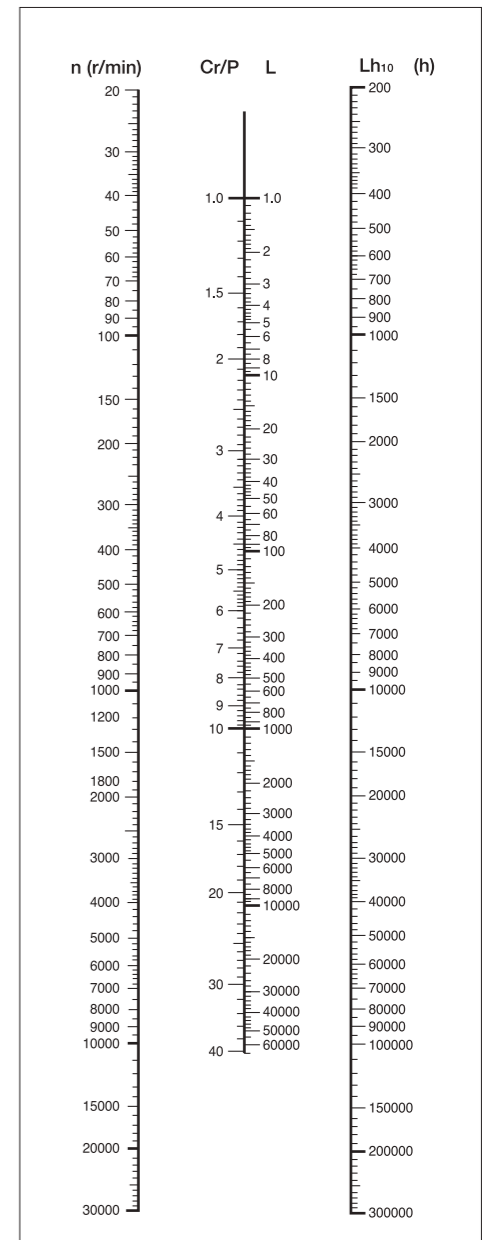


Table27

$\frac{F_a}{C_o}$	$\frac{F_a}{F_r} \leq e$		C2		N		C3		e		
	p=Fr		$\frac{F_a}{F_r} > e$		$\frac{F_a}{F_r} > e$		$\frac{F_a}{F_r} > e$				
	X	Y	X	Y	X	Y	X	Y			
0.025	1	0	0.56	2.0	0.22	0.46	1.75	0.31	0.44	1.42	0.40
0.040	1	0	0.56	1.8	0.24	0.46	0.62	0.33	0.44	1.36	0.42
0.070	1	0	0.56	1.6	0.27	0.46	1.46	0.36	0.44	1.27	0.44
0.130	1	0	0.56	1.4	0.31	0.46	1.30	0.41	0.44	1.16	0.48
0.250	1	0	0.56	1.2	0.37	0.46	1.14	0.46	0.44	1.05	0.53

When twist load is applied to the bearings, the equivalent dynamic bearing load is calculated by:

$$P_m = f_m \cdot P$$

Where: P_m = equivalent dynamic load when considering twist load

f_m = when twist load is big : $f_m=2$

When shocking load is applied, equivalent dynamic load can be calculated by:

$$P_d = f_d \cdot P$$

Where: P_d = equivalent dynamic load when considering shocking load (N)

f_m = shocking load factor; which is defined as follows:

When no shocking load or minor shocking load is applied:

$$f_d = 1 \sim 1.2$$

When adequate shocking load is applied:

$$f_d = 1.2 \sim 1.8$$

8.1.3 Adjusted rating life equation

Normally the basic rating life L_{10} can be applied to calculate the bearing rating life, the bearing life is with 90% reliability.

However, in some applications a bearing life over 90% reliability may be required, moreover, the effect of bearing quality and operation conditions are expected to take into consideration when calculating bearing life, the adjusted bearing life L_{nm} (n means failure rate, (100-n) means reliability) meet these requirements.

Bearing life L_{nm} , is adjusted bearing life under (100-n) % reliability, specified bearing quality and operation conditions, it can be calculated by:

$$L_{nm} = a_1 a_{xyz} L_{10}$$

Life adjustment factor for reliability a_1 please refers to following table.

Life adjustment factor for reliability a_1

Table28

Reliability	L_{nm}	a_1
90	L_{10m}	1
95	L_{5m}	0.62
96	L_{4m}	0.53
97	L_{3m}	0.44
98	L_{2m}	0.33
99	L_{1m}	0.21

Life adjustment factor axyz include followings:

- material,
- lubrication,
- environment,
- Impurity particle,
- Internal stress,
- mounting,
- bearing load.

The bearing life is affected by any of above factors, so all factors must be taken into consideration when selecting bearing to avoid failure.

Please refer to national standard GB/T6391-2003 for bearing life calculating method.

8.1.4 Example of insert bearing selection

One ball bearing is to operate at at rotation speed of 800r/min, under only a radial load of $F_r = 3000N$, with a basic rating life of at least 30000 hours, select the bearing.

Solution 1:

According to formula

$$L_{10h} = \frac{10^6}{60n} L_{10} = \frac{16666}{n} \left(\frac{C}{P} \right)^3$$

From $L_{10h} = 30000$ hours, rotation speed = 800r/m,

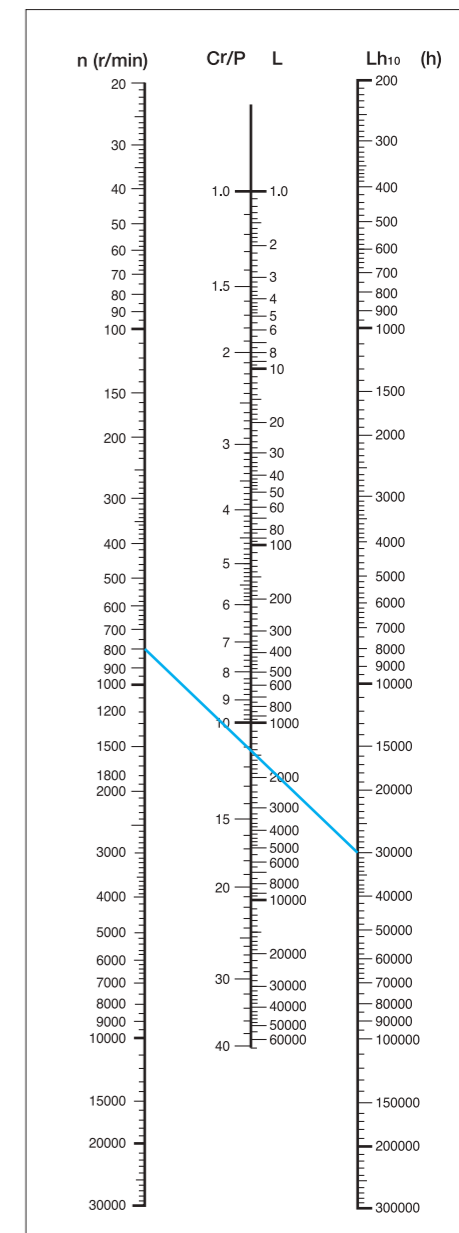
Under only a radial load, i.e. $P = F_r = 3000N$,

Therefore, $C = 33877N$.

Solution 2:

By connecting $n(800r/m)$ and the required basic rating life L_{10h}

(30000hours) with a straight line on the fig, it can be found that C/P value is 11.3, $C/P = 11.3$, $P = F_r = 3000N$, thus the required basic dynamic load rating is $C = 33900N$



8.2 Selection of ball bearing units

As the excellent characteristics of ball bearing unit is recognized, its application fields are always expanded and at present it is used in all aspects of industrial activities in general.

Its expected service life can be extended twice by using the ball bearing unit correctly. On the contrary, inappropriate selection and handling will shorten the expected service life.

Therefore, it is necessary to examine the following items thoroughly, when the ball bearing unit is selected.

1. Size and nature of the working load.
2. Desirable minimum expected service life.
3. Operating speed of the shaft.
4. Bearing number and parallel application arrangement on the shaft in question.
5. Available space for assembling and disassembling work.
6. Appearance at the place to be used.
7. Gas generation and dust condition at the installation place.

- 8. Ambient temperature at the installation place.
- 9. Machining precision of the facility, to which the bearing is applied.
- 10. Maintenance and control, including the lubrication system.

The above items are regarded as the selection conditions, and the items 1,2 and 3 can be examined by the service life calculation of the ball bearing unit.

As to the item 4, such a type as allows the alignment adjustment through the installation modification, must be selected, since the mutual alignment work becomes necessary even in the case of automatic alignment adjusting type, where many sets of bearing can be applied to one shaft.

Regarding the item 5, it must be examined if enough installation space is available or not, in order to know in what manner the installation work can be done.

Item 6 may suggest the necessity of the clean and aesthetic design, depending on the application purpose of the machine involved. For example, such consideration will be needed for the application to the electric appliance or sewing machine.

Items 7 and 8 mean that it must be studied if the gas and chemicals, or high temperature, which are harmful to ball bearing, are existing or not.

As suggested in Item 9, the ball bearing unit must suit to the processing precision of the installation section.

Item 10 covers the maintenance and inspection problem, namely, how easily the maintenance can be done, or if the unit is installed inside the machine where the lubrication can hardly be done or if the lubrication must be and how etc. The optimum selection of bearing unit, right unit for right place, will ensure the full development of performance of ball bearing unit.

8.3 Selection of Shafts

The ball bearing unit is provided with hexagonal hollow set screws at two spots located at 120° one side of inner ring. Mounting on the shaft normally adopts loose fit. In this case, the following relationship between the shaft and the inner bore is recommended.

Dimensional accuracy of the shaft to be used in the cylindrical bore insert bearing (Loose fit) Table29
Unit = 0.001mm

Shaft Diameter (mm)		for lower speed		for medium speed		for rather high speed		for high speed	
		symbol h 9		symbol h 8		symbol h 7		symbol j 6	
over	incl.	max.	min.	max.	min.	max.	min.	max.	min.
10	18	0	-43	0	-27	0	-18	+8	-3
18	30	0	-52	0	-33	0	-21	+9	-4
30	50	0	-62	0	-39	0	-25	+11	-5
50	80	0	-74	0	-46	0	-30	+12	-7
80	120	0	-87	0	-54	0	-35	+13	-9
120	180	0	-100	0	-63	0	-40	+14	-11

However, if the ball bearing unit is used at high rotation speed or under heavy load, the shaft fit must adapt a tight fit.

The bearing can be also installed to the shaft by use of the adapter assembly. This is convenient method that can be used as the intermediate bearing of relatively long shaft or a slight difference is found at the

shaft dimension. In this method, the bearing inner diameter makes 1:12 taper and the corresponding tapered adapter sleeve is applied, followed by nut tightening:

Therefore, a slight difference in shaft diameter does not cause much trouble.

Dimensional accuracy of the shaft to be used in cylindrical bore insert bearing (Tight fits case).

Shaft Diameter (mm)	Deviation of tolerance in shafting										Deviation of tolerance in shafting					
			for higher speed		for rather heavy load		for highest speed		for heavy load		Shaft Diameter (mm)		for short shaft		for long shaft	
			symbol m6		symbol m7		symbol n6		symbol n7				symbol h 9		symbol h 10	
over	incl.	max.	min.	max.	min.	max.	min.	max.	min.	over	incl.	max.	min.	max.	min.	
10	18	+18	+7	+25	+7	+23	+12	+30	+12	10	18	0	-43	0	-70	
18	30	+21	+8	+29	+8	+28	+15	+36	+15	18	30	0	-52	0	-84	
30	50	+25	+9	+34	+9	+33	+17	+42	+17	30	50	0	-62	0	-100	
50	80	+30	+11	+41	+11	+39	+20	+50	+20	50	80	0	-74	0	-120	
80	120	+35	+13	+48	+13	+45	+23	+58	+23	80	120	0	-87	0	-140	
120	180	+40	+15	+55	+15	+52	+27	+67	+27	120	180	0	-100	0	-160	

8.4 Limiting speed

The limiting speed of ball bearing units are mainly determined by the fit between the bearings and the shafts. Normally, clearance fit is used between setscrews type and eccentric collar type bearing units and shafts, then h7 shaft tolerance is selected. h8 or h9 tolerance is applied for light load and slow speed application. And tighter j7 tolerance is applied for heavy load and high speed. The shaft applied to the adapter sleeve bearing is h9 with IT5 class tolerances.

The speed ratings for insert bearing of CS200-2RS series are the same as deep groove ball bearings which are shown in following table.

The limiting speeds for the ball bearing units with different fits are shown in following table.

d (mm)	200 Series				300 Series				CS200-2RS
	Shaft tolerance				Shaft tolerance				
	JS7(h9/IT5)	h7	h8	h9	JS7(h9/IT5)	h7	h8	h9	
12	6700	5300	3800	1400	--	--	--	--	--
15	6700	5300	3800	1400	--	--	--	--	11000
17	6700	5300	3800	1400	--	--	--	--	10000
20	6000	4800	3400	1200	--	--	--	--	9000
25	5600	4000	3000	1000	5000	3600	2600	900	8000
30	4500	3400	2400	850	4300	3000	2200	800	6700
35	4000	3000	2000	750	3800	2800	2000	700	6000
40	3600	2600	1900	670	3400	2400	1700	630	5600
45	3200	2400	1700	600	3000	2200	1500	560	5000
50	3000	2200	1600	560	2600	2000	1400	500	4800
55	2600	2000	1400	500	2400	1800	1300	450	--
60	2400	1800	1200	450	2200	1700	1100	430	--

Table33

d (mm)	200 Series				300 Series				CS200-2RS
	Shaft tolerance				Shaft tolerance				
	JS7(h9/IT5)	h7	h8	h9	JS7(h9/IT5)	h7	h8	h9	
65	2200	1700	1100	430	2000	1500	1100	400	--
70	2200	1600	1100	400	1900	1400	1000	360	--
75	2000	1500	1000	380	1800	1300	900	340	--
80	1900	1400	950	340	1700	1200	850	320	--
85	1800	1300	900	320	1600	1100	800	300	--
90	1700	1200	800	300	1500	1100	750	280	--
95	--	--	--	--	1400	1000	700	260	--
100	--	--	--	--	1300	950	670	240	--
105	--	--	--	--	1200	900	630	220	--
110	--	--	--	--	1200	800	600	200	--
120	--	--	--	--	1100	750	530	190	--
130	--	--	--	--	1000	670	480	180	--
140	--	--	--	--	900	600	430	160	--

Note: 1. The JS7(h9/IT5) column fit for adapter sleeve type ball bearing units, and the rest j7 ~ h9 column fit for the setscrews type and eccentric locking collar type ball bearing units.
 2. Above table data is reference for J type seal, H type seal, SL type dual seal, F type seal products only.

9 MOUNTING OF BALL BEARING UNITS

9.1 Setscrew method

This method is to mount the bearing unit to the shaft with two set screws located at two places on one side of wide inner ring which make 120° each other.

FK setscrews are of self-locking knurled cup point types. This self-locking knurled cup point type setscrew has peculiar edge points as shown in the figure and counter-clockwise knurl to prevent loosening back. The material is special alloyed steel (Nickel chromium molybdenum steels) which has high tensile and shear strength. The hexagon hollow of setscrew is deeper than before and hence enough tightening force can be applied. The head is never broken nor deformed.

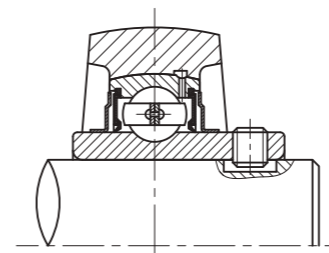
Installation to the shaft can be sufficiently made, if the grub screws are tightened by application of the tightening torque as shown in the following table.

Proper tightening torque of setscrews

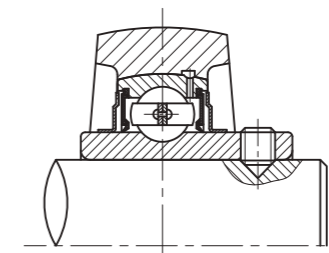
Table34

Setscrew (mm)	Tightening torque (N-M) (max)	Setscrew (inch)	Tightening torque (lbf-inch) (max)
M5x0.8	3.4	10-32UNF	30
M6x1.0	5.4	1/4-28UNF	48
M8x1.0	11.3	5/16-24UNF	100
M10x1.0	21.6	3/8-24UNF	192
M12x1.5	32.4	7/16-20UNF	210
M14x1.5	41.2	1/2-20UNF	287
M16x1.5	62.8	9/16-18UNF	365
M18x1.5	73.4	5/8-18UNF	556
M20x1.5	117.7		

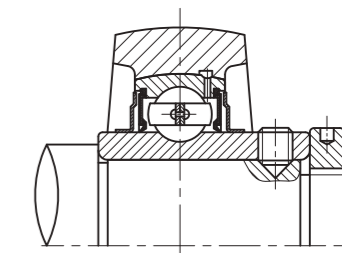
In case either the vibration is caused to the insert bearing, the reciprocal movement takes place, the load charged on the insert bearing is large, or the shaft revolution speed is rapid, then it is desired to provide with the filed seat or concave section at the part where the setscrews with the shaft. If the thrust load is large, it is more effective to use joggling tightened with nuts.



File the shaft surface where the setscrews are positioned.



Make the concave section at the shaft surface where the setscrews are positioned.



When a large thrust load is charged, it is better to use joggling tightened with nuts.

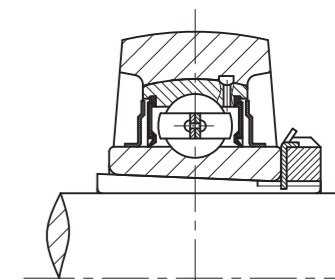
9.2 Adapter assembly method

According to this system, the inner ring diameter of bearing has the taper of 1:12. Prior to the bearing installation the sleeve is installed to an arbitrary position as shown in the right drawing. After the shake-proof washer is inserted, the nut is tightened.

"The proper nut tightening condition can be obtained if it is tightened enough by a hand and is then rotated by 2/5 ~ 3/5 revolution with a spanner".

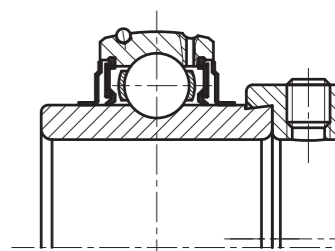
After the nut is tightened, bend the shake proof washer within the slot. If not, the nut may be loosened and the creep may be caused between the shaft and sleeve.

If tightened too hard, the clearance between the shaft and the sleeve may be reduced, and the exothermic and burning phenomenon may be caused.



9.3 Eccentric Locking Collar Method

The bearing installation to the shaft by using the eccentric locking collar is one of the methods. The eccentric part of the collar mates with section of inner ring, and in this way, the bearing is Locked to the shaft.



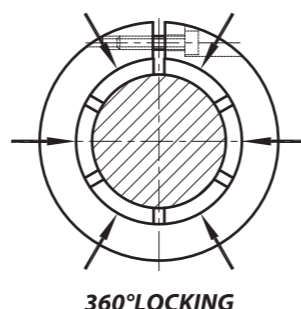
In the normal hexagonal hollow setscrew or adapter assembly case, the shaft and inner ring are simply locked. Different from such a method, the revolving force of shaft is utilized as the tightening force in this case.

The assembly to the shaft is done only by tightening the eccentric locking collar to the shaft by use of the setscrew.

The tightening force of the setscrew can be the same level as that of common setscrew type. Since the shaft revolution force or load does not directly act on the setscrew, the setscrew is not loosened.

9.4 Concentric Locking Collar Method

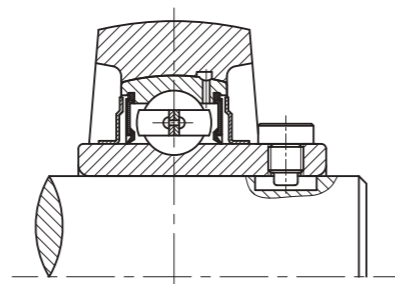
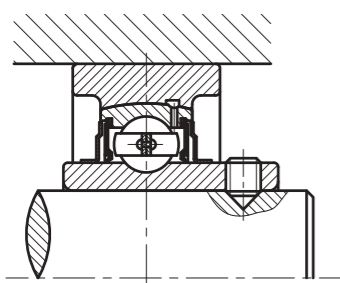
The concentric locking collar, with a single standard hex head cap screw and relief slot, provides great holding power. The collar, installed over the slotted inner ring, locks the bearing on the shaft concentrically without marring or burring and provides a 360 degrees clamping force to the shaft. The roundness of ball path on concentric locking bearings results in better operation and longer life. Concentric locking bearings can replace either setscrew or eccentric locking collar bearings.



9.5 Axial movement due to expansion and shrinkage

It is often that under some driving conditions the shaft expands or shrinks, the bearing is moved. The wheel shafts of truck, for example, must be moved in thrust direction while to some extent. When the shaft is used at high temperature, the thermal expansion of shaft becomes larger as the shaft is longer. If the all bearing are fixed to the shaft in this case, an extraordinary thrust load is applied to the bearings due to thermal expansion and it may cause failure of the bearings.

For this reason, if there exist expansion and shrinkage of shaft or movement of bearing, a fixed type unit must be used at one and a moving type unit at the other.



As shown it is desirable to use cartridge type bearing of cylindrical outer diameter in a same manner with ordinary bearings. When using cartridge type housings, be careful not to cause creep at the time of insertion. every type of housing with above shown structure is prepared by **FK** for use at high temperature.

A key way is machined on the shaft and a dog point hexagon hollow setscrew is generally used in place of the setscrew. Axial movement due to shaft expansion and shrinkage is adjusted by this.

9.6 Mounting of the housing

It is desired to install the unit in the order of mounting housing firstly, and then mounting the shaft and bearing. The bearing unit can be installed in principle at any place in an easy way. However:

A. The mounting surface must be sufficiently rigid, the surface on which the housing is mounted should be as flat as possible, normally the requested flatness is 0.10-0.15mm or less.

B. It is desirable that the angle between the surface on which the pillow block or flange unit housing is mounted and the shaft be maintained to a tolerance less than $\pm 2^\circ$. When the housing is installed with a open cover, the tolerance should be less than $\pm 1^\circ$.

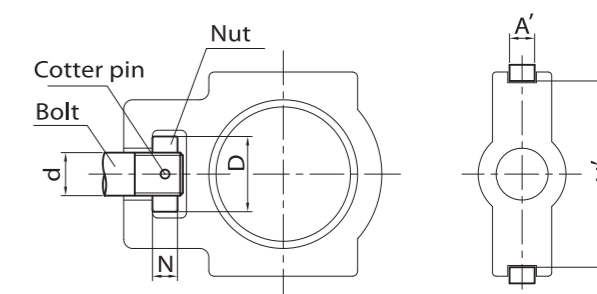
C. Cartridge unit is installed on the cylindrical hole of body as a free-end. H7 tolerance is applied for normal operation conditions. When working temperature is too high, G7 tolerance is suggested. If shocking load is applied, then special tolerance is necessary to be used. Please refer to following table:

Table35
Unit = 0.001mm

Diameter/mm		Tolerance of dimension		
Over	Incl.	H7	Special tolerance	G7
50	80	+30~0	+25~0	+40~+10
80	120	+35~0	+29~0	+47~+12
120	180	+40~0	+33~0	+54~+14
180	250	+46~0	+38~0	+61~+15
250	315	+52~0	+42~0	+69~+17
315	400	+57~0	+47~0	+75~+18

D. Take up unit is installed on parallel guide rails, the housing moves on the guide rails by adjusting bolt to adjust distance to shaft center.

Mounting dimension and tolerance of take up unit.



Tolerance of take up unit fitting surface

Unit = 0.001mm

Table36

Housing No.	H' ± 0.5	A'	d	D	N	Housing No.	H' ± 0.5	A'	d	D	N
T204	77	11	16	28	12	ST204	77	12.5	16	28	12
T205	77	11	16	28	12	ST205	77	12.5	16	28	12
T206	90	11	18	32	12	ST206	90	12.5	18	32	12
T207	90	11	18	32	12	ST207	90	12.5	18	32	12
T208	103	15	24	42	14	ST208	103	16.5	24	42	14
T209	103	15	24	42	14	ST209	103	16.5	24	42	14
T210	103	15	24	42	14	ST210	103	16.5	24	42	14
T211	131	20	30	56	20	ST211	131	25	30	56	20
T212	131	20	30	56	26	ST212	131	25	30	56	26
T213	152	24	36	60	26						
T214	152	24	36	60	26						
T215	152	24	36	60	26						
T216	167	24	36	60	26						
T217	175	28	42	65	30						

9.7 Maintenance of bearing unit

9.7.1 After mounting the bearing unit, check that it has been done correctly :

- A. Turn the shaft by hand to make certain that it rotates smoothly.
- B. Run the machine at low speed under 0 load, check there are no abnormalities.
- C. Run the machine at normal operation conditions, check working temperature rising trend and stable working temperature.

Main abnormalities and causes in bearing unit test running :

Table37

Abnormalities	Causes
Too high torque, Rotation torque is unstable	<ul style="list-style-type: none"> ① Bad mounting, pre-tightening force is applied on the bearing at axial direction ② Seal contacts with flinger ③ Too small internal clearance.
Abnormal noise Abnormal vibration	<ul style="list-style-type: none"> ① Setscrews on bearing or bolts on housing are not firmly tightened ② Too big internal clearance ③ Shaft is bent ④ Low shaft accuracy ⑤ Mounting surface is not flat and rigid
Abnormal temperature rising	<ul style="list-style-type: none"> ① Too small internal clearance. ② Bad mounting, pre-tightening force is applied on the bearing at axial direction ③ Too heavy load ④ Exceed limiting speed ⑤ Mounting surface is not flat ⑥ Seal contacts with flinger

9.7.2 Inspection during operation

In order to have the long service life, it is necessary to inspect the bearing units regularly during operation. While the interval between inspections varies from case to case, according to the degree of importance and the rate of operation, it is usually some time between two weeks and a month. Main regular inspections :

- A. Bolt B. Setscrews C. Noise or vibration D. Working temperature E. Relubrication

Main abnormalities and causes in bearing unit regular inspection

Table38

Abnormalities	Causes
Too high torque	<ul style="list-style-type: none"> ①Grease degradation ②Too much grease, seal contacts with flinger ③Deformed flinger contacts with seal ④Abnormal load
Abnormal noise Abnormal vibration	<ul style="list-style-type: none"> ①Setscrews or bolt loose ②Wear of contact surface between shaft and inner ring ③Foreign matter invade into bearing ④Fatigue of bearing raceway ⑤Indentation on bearing raceway ⑥Shaft is bent
Abnormal temperature rising	<ul style="list-style-type: none"> ①Grease degradation ②Too much grease, seal contacts with flinger ③Deformed flinger contacts with seal ④Setscrews loose ⑤Abnormal load ⑥Fatigue of bearing raceway

10 MOUNTED UNITS NUMBERING SYSTEM

The FK bearing numbering system utilizes a basic bearing number to indicate the appropriate bearing series, and a complementary set of prefix and suffix designations which allow a complete description of any bearing configuration. The sequence of FK designations and their meanings is shown below.

Table39

First	Second	Third	Fourth	Fifth	Sixth	Seventh	Eighth	Ninth	Tenth	Eleventh	Twelfth
Bearing Material	Bearing O.D. Modification	Bearing Insert Type	Housing Type	Basic Bearing Series	Housing Material	Shaft Size in 1/16" for Inch Type Bearings	Special Seals	Relube Type When Non-Standard	Snap Ring	Internal Clearance	Max operating temperature
SS	C	UC	P	210	D	- 31	L3	G	NR	C ₄	HT20

FK PREFIXES

- C.....Cylindrical O.D. on Bearing
- SS..... 440C Stainless Steel Material

FK SUFFIXES

- B-MN..... Housing with back groove for fitting back seal
- BO..... Bearing with Black Oxid.
- C₁..... With an Open Type Pressed Steel End-cover&Rubber Seal.
- D₁..... With a Close Type Pressed Steel End-cover
- FH..... Housing with Special Dimension of Fixed Bore
- HT20.....High temperature operating + 200°C
- MN.....Housing with groove for fitting End-cover.
- NC.....No collar on SA or HC type, or Nylon coated Set Screw if SB; UC or SER types.
- Q..... Ductile iron housing
- S.....Solid base housing
- WB.....Without anti-Rotation Ball
- ZP.....Bearing with Zinc Plated

Special Seals

- L₃.....Triple Lip Seal
- F..... F Type Seal

Relubrication

- Blank..... Standard feature (See footnote 1 and 2)
- N Non-relube housing
- G Relubrication Groove and Holes

Snap ring

- N Groove Without Ring
- NRGroove With Ring

Internal Clearance

- Blank (CN) Standard
- C₂ Tight
- C₄ Loose
- C₅ Extra Loose

NOTES:

- 1.UC, HC, UCX,NC and SER type inserts are relubricatable as standard; no "G" suffix is required.
- 2.SA, SB, JA,JB type inserts are non-relubricatable as standard. To specify as relubricatable type, add "G" suffix (e.g., SA205-16G).
- 3.As there is only one metric bore size per basic bearing series, no shaft size specification is necessary (e.g., UC205 Indicates 25 mm bore).

EXAMPLES

1. Bearing Insert Type UC
 Housing Type P
 Basic Bearing Series 205
 Bearing Shaft Size in 1/16 of an inch - 16

2. Bearing Insert Type UC
 Basic Bearing Series 205-16
 Bearing Shaft Size in 1/16 of an inch C₄
 Bearing Clearance and extra loose HT20
 Operating high temperature +200°C

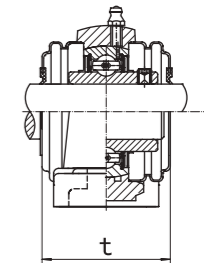
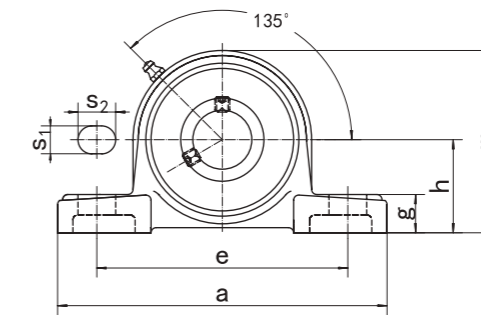
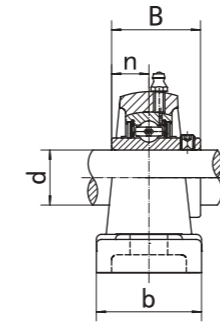
3. Bearing Raw Material SS-SB
 Stainless Steel AISI 440C
 Basic Insert Type 205-16
 Basic Bearing Series G
 Bearing Shaft Size in 1/16 of an inch
 Relubrication Groove and Holes

TYPE OF FK BALL BEARING UNITS AND BEARINGS

Pillow Blocks		
UCP2.....	33	
HCP2.....	34	
UCLP2.....	35	
UKP2.....	36	
UCAK2.....	37	
UCPK2.....	38	
UCPE2.....	39	
UCASE2.....	40	
HCASE2.....	41	
UCCP2.....	42	
NCP2.....	43	
NCPE2.....	44	
UCPX.....	45	
UKPX.....	46	
UCP3.....	47	
UKP3.....	48	
Flange Types		
UCF2.....	49	
HCF2.....	50	
UKF2.....	51	
UCFS2.....	52	
UCCF2.....	53	
NCF2.....	54	
UCFX.....	55	
UKFX.....	56	
UCF3.....	57	
UKF3.....	58	
UCFU2.....	59	
HCFU2.....	60	
UCFC2.....	61	
HCFC2.....	62	
UKFC2.....	63	
NCFC2.....	64	
UCME2.....	65	
HCFE2.....	66	
UCFCF2.....	67	
UCFCX.....	68	
UCFS3.....	69	
UCFL2.....	70	
HCFL2.....	71	
UKFL2.....	72	
NCFL2.....	73	
HCFLU2.....	74	
UCFT2.....	75	
HCFT2.....	76	
UCCJT2.....	77	
HCCJT2.....	78	
UCCFL2.....	79	
UCFLX.....	80	
UKFLX.....	81	
UCFL3.....	82	
Take-Up Units Types		
UCT2.....	83	
HCT2.....	84	
UKT2.....	85	
UCST2.....	86	
UCCT2.....	87	
NCT2.....	88	
UCTX.....	89	
UKTX.....	90	
UCT3.....	91	
Cartridge Types		
UCC2.....	92	
HCC2.....	93	
UKC2.....	94	
UCCX.....	95	
UKCX.....	96	
UCC3.....	97	
Other Typical Types		
UCPH2.....	98	
UCPA2.....	99	
UCPG2.....	100	
UCPW2.....	101	
UCTB2.....	102	
UCSHE2.....	103	
UCFA2.....	104	
UCFB2.....	105	
UCHA2.....	106	
UCHE2.....	107	
Light Duty Types		
SAFD2.....	108	
SBFD2.....	108	
SAFW2.....	109	
SBFW2.....	109	
SAPFTD2.....	110	
SBPFTD2.....	110	
SAFCT2.....	111	
SBFCT2.....	111	
SAFX2.....	112	
SBFX2.....	112	
SAPSD2.....	113	
SBPSD2.....	113	
SAFN2.....	114	
SBFN2.....	114	
SAFTN2.....	115	
SBFTN2.....	115	
SACFTR2.....	116	
SBCFTR2.....	116	
SALF2.....	117	
SBLF2.....	117	
215-48.....	117	
Rubber Mounted Units Types		
SAPR2.....	118	
SBPR2.....	118	
CSARC2.....	119	
CSBRC2.....	119	
SAR2.....	120	
SBR2.....	120	

Pressed Housing Types		
SAPP2.....	121	
SBPP2.....	121	
SAPF2.....	122	
SBPF2.....	122	
SAPFL2.....	123	
SBPFL2.....	123	
SAPFT2.....	124	
SBPFT2.....	124	
SACSLT1.....	125	
Ball Bearing Inserts		
UC2.....	126	
HC2.....	127	
UK2.....	128	
NC2.....	129	
UCX.....	130	
UKX.....	131	
UC3.....	132	
HC3.....	133	
UK3.....	134	
SER2.....	135	
ERC2.....	136	
SA2.....	137	
SB2.....	138	
JA2.....	139	
JB2.....	140	
CS2.....	141	
CS3.....	141	
1680200.....	142	
ORAE30NPPB.....	143	
K000/SS-K000.....	144	
U000/SS-U000.....	144	
Silver Series		
Material.....	145	
Types.....	145	
KP000.....	146	
UP000.....	146	
KFL000.....	147	
UFL000.....	147	
Thermoplastic Mounted Units		
Material.....	148	
Accessories.....	149	
SS-UCPPL2.....	150	
SS-UCPAPL2.....	150	
SS-UCFPL2.....	151	
SS-UCFLPL2.....	151	
SS-UCTPL2.....	152	
SS-UCTBPL2.....	152	
SS-UCFBPL2.....	153	
SS-UCFCPL2.....	153	
SS-UCHPL2.....	154	
SS-UCHAPL2.....	154	

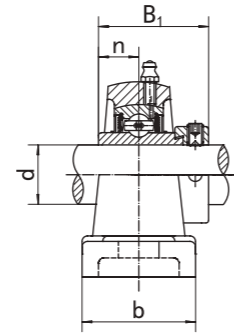
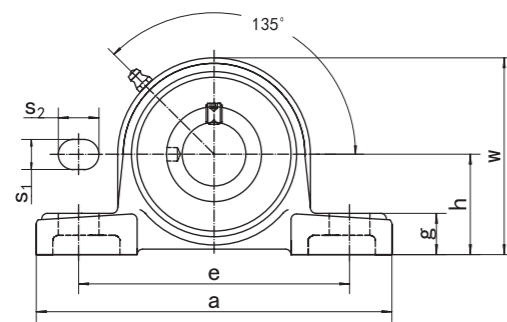
Pillow Blocks



UCP-C₁(D₁)

Unit NO.	Dimensions (mm / in.)												Bolt Size mm/in.	Bearing No.	Housing No.	Weight (kg)
	d	h	a	e	b	S ₁	S ₂	g	w	t	B	n				
UCP201	12	30.2	127	95	38	13	19	14	62	44.5	31	12.7	M10	UC201	P201	0.65
201-8	1/2	1-3/16	5	3-3/4	1-1/2	1/2	3/4	9/16	2-7/16	1-3/4	1.2205	0.500	3/8	UC201-8		0.64
UCP202	15	30.2	127	95	38	13	19	14	62	44.5	31	12.7	M10	UC202	P202	0.64
202-9	9/16	1-3/16	5	3-3/4	1-1/2	1/2	3/4	9/16	2-7/16	1-3/4	1.2205	0.500	3/8	UC202-9		0.64
202-10	5/8	1-3/16	5	3-3/4	1-1/2	1/2	3/4	9/16	2-7/16	1-3/4	1.2205	0.500	3/8	UC202-10		0.64
UCP203	17	30.2	127	95	38	13	19	14	62	44.5	31	12.7	M10	UC203	P203	0.63
203-11	11/16	1-3/16	5	3-3/4	1-1/2	1/2	3/4	9/16	2-7/16	1-3/4	1.2205	0.500	3/8	UC203-11		0.62
UCP204	20	33.3	127	95	38	13	19	14	65	44.5	31.0	12.7	M10	UC204	P204	0.64
204-12	3/4	1-5/16	5	3-3/4	1-1/2	1/2	3/4	9/16	2-9/16	1-3/4	1.2205	0.500	3/8	UC204-12		0.64
UCP205	25	36.5	140	105	38	13	19	15	71	48	34.1	14.3	M10	UC205	P205	0.76
205-13	13/16	1-7/16	5-1/2	4-1/8	1-1/2	1/2	3/4	19/32	2-25/32	1-57/64	1.3425	0.563	3/8	UC205-13		0.80
205-14	7/8	1-7/16	5-1/2	4-1/8	1-1/2	1/2	3/4	19/32	2-25/32	1-57/64	1.3425	0.563	3/8	UC205-14		0.79
205-15	15/16	1-7/16	5-1/2	4-1/8	1-1/2	1/2	3/4	19/32	2-25/32	1-57/64	1.3425	0.563	3/8	UC205-15		0.77
205-16	1	1-7/16	5-1/2	4-1/8	1-1/2	1/2	3/4	19/32	2-25/32	1-57/64	1.3425	0.563	3/8	UC205-16		0.76
UCP206	30	42.9	160	121	44	17	20	17	84	53	38.1	15.9	M14	UC206	P206	1.20
206-17	1-1/16	1-11/16	6-19/64	4-3/4	1-47/64	43/64	25/32	21/32	3-5/16	2-5/64	1.5000	0.626	1/2	UC206-17		1.21
206-18	1-1/8	1-11/16	6-19/64	4-3/4	1-47/64	43/64	25/32	21/32	3-5/16	2-5/64	1.5000	0.626	1/2	UC206-18		1.22
206-19	1-3/16	1-11/16	6-19/64	4-3/4	1-47/64	43/64	25/32	21/32	3-5/16	2-5/64	1.5000	0.626	1/2	UC206-19		1.20
206-20	1-1/4	1-11/16	6-19/64	4-3/4	1-47/64	43/64	25/32	21/32	3-5/16	2-5/64	1.5000	0.626	1/2	UC206-20		1.19
UCP207	35	47.6	167	127	48	17	20	18	93	59.5	42.9	17.5	M14	UC207	P207	1.46
207-20	1-1/4	1-7/8	6-9/16	5	1-7/8	43/64	25/32	45/64	3-21/32	2-11/32	1.6890	0.689	1/2	UC207-20		1.50
207-21	1-5/16	1-7/8	6-9/16	5	1-7/8	43/64	25/32	45/64	3-21/32	2-11/32	1.6890	0.689	1/2	UC207-21		1.47
207-22	1-3/8	1-7/8	6-9/16	5	1-7/8	43/64	25/32	45/64	3-21/32	2-11/32	1.6890	0.689	1/2	UC207-22		1.44
207-23	1-7/16	1-7/8	6-9/16	5	1-7/8	43/64	25/32	45/64	3-21/32	2-11/32	1.6890	0.689	1/2	UC207-23		1.44
UCP208	40	49.2	184	137	54	17	20	18	100	69	49.2	19	M14	UC208	P208	1.86
208-24	1-1/2	1-15/16	7-1/4	5-13/32	2-1/8	43/64	25/32	45/64	3-15/16	2-23/32	1.9370	0.748	1/2	UC208-24		1.90
208-25	1-9/16	1-15/16	7-1/4	5-13/32	2-1/8	43/64	25/32	45/64	3-15/16	2-23/32	1.9370	0.748	1/2	UC208-25		1.87
UCP209	45	54.0	190	146	54	17	20	20	106	69	49.2	19	M14	UC209	P209	2.06
209-26	1-5/8	2-1/8	7-15/32	5-3/4	2-1/8	43/64	25/32	25/32	4-11/64	2-23/32	1.9370	0.748	1/2	UC209-26		2.12
209-27	1-11/16	2-1/8	7-15/32	5-3/4	2-1/8	43/64	25/32	25/32	4-11/64	2-23/32	1.9370	0.748	1/2	UC209-27		2.08
209-28	1-3/4	2-1/8	7-15/32	5-3/4	2-1/8	43/64	25/32	25/32	4-11/64	2-23/32	1.9370	0.748	1/2	UC209-28		2.08
UCP210	50	57.2	206	159	60	20	23	21	113	74.5	51.6	19.0	M16	UC210	P210	2.61
210-29	1-13/16	2-1/4	8-1/8	6-1/4	2-3/8	25/32	29/32	53/64	4-29/64	2-15/16	2.0315	0.748	5/8	UC210-29		2.73
210-30	1-7/8	2-1/4	8-1/8	6-1/4	2-3/8	25/32	29/32	53/64	4-29/64	2-15/16	2.0315	0.748	5/8	UC210-30		2.68
210-31	1-15/16	2-1/4	8-1/8	6-1/4	2-3/8	25/32	29/32	53/64	4-29/64	2-15/16	2.0315	0.748	5/8	UC210-31		2.63
210-32	2	2-1/4	8-1/8	6-1/4	2-3/8	25/32	29/32	53/64	4-29/64	2-15/16	2.0315	0.748	5/8	UC210-32		2.59
UCP211	55	63.5	219	171	60	20	23	23	125	76	55.6	22.2	M16	UC211	P211	3

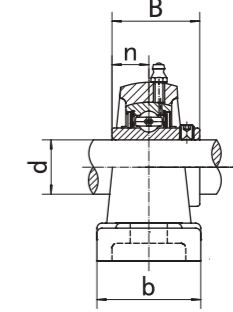
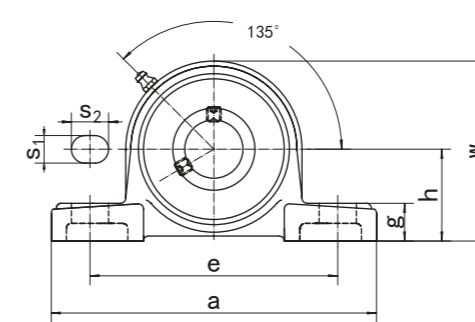
HCP2 (Normal-duty)



Pillow Blocks

Unit NO.	Dimensions (mm / in.)											Bolt Size mm/in.	Bearing No.	Housing No.	Weight (kg)
	d	h	a	e	b	s1	s2	g	w	B1	n				
HCP204	20	33.3	127	95	38	13	19	14	65	43.7	17.1	M10	HC204	P204	0.70
204-12	3/4	1-5/16	5	3-3/4	1-1/2	1/2	3/4	9/16	2-9/16	1.720	0.673	3/8	HC204-12		0.70
HCP205	25	36.5	140	105	38	13	19	15	71	44.4	17.5	M10	HC205	P205	0.81
205-13	13/16												HC205-13		0.86
205-14	7/8	1-7/16	5-1/2	4-1/8	1-1/2	1/2	3/4	19/32	2-25/32	1.748	0.689	3/8	HC205-14		0.85
205-15	15/16												HC205-15		0.83
205-16	1												HC205-16		0.81
HCP206	30	42.9	160	121	44	17	20	17	84	48.4	18.3	M14	HC206	P206	1.27
206-17	1-1/16												HC206-17		1.32
206-18	1-1/8	1-11/16	6-19/64	4-3/4	1-47/64	43/64	25/32	21/32	3-5/16	1.906	0.720	1/2	HC206-18		1.29
206-19	1-3/16												HC206-19		1.27
206-20	1-1/4												HC206-20		1.24
HCP207	35	47.6	167	127	48	17	20	18	93	51.1	18.8	M14	HC207	P207	1.60
207-20	1-1/4												HC207-20		1.67
207-21	1-5/16	1-7/8	6-9/16	5	1-7/8	43/64	25/32	45/64	3-21/32	2.012	0.740	1/2	HC207-21		1.63
207-22	1-3/8												HC207-22		1.60
207-23	1-7/16												HC207-23		1.58
HCP208	40	49.2	184	137	54	17	20	18	100	56.3	21.4	M14	HC208	P208	1.99
208-24	1-1/2	1-15/16	7-1/4	5-13/32	2-1/8	43/64	25/32	45/64	3-15/16	2.217	0.843	1/2	HC208-24		2.04
208-25	1-9/16												HC208-25		2.00
HCP209	45	54.0	190	146	54	17	20	20	106	56.3	21.4	M14	HC209	P209	2.19
209-26	1-5/8												HC209-26		2.30
209-27	1-11/16	2-1/8	7-15/32	5-3/4	2-1/8	43/64	25/32	25/32	4-11/64	2.217	0.843	1/2	HC209-27		2.25
209-28	1-3/4												HC209-28		2.21
HCP210	50	57.2	206	159	60	20	23	21	113	62.7	24.6	M16	HC210	P210	2.80
210-29	1-13/16												HC210-29		2.95
210-30	1-7/8	2-1/4	8-1/8	6-1/4	2-3/8	25/32	29/32	53/64	4-29/64	2.469	0.969	5/8	HC210-30		2.89
210-31	1-15/16												HC210-31		2.83
210-32	2												HC210-32		2.77
HCP211	55	63.5	219	171	60	20	23	23	125	71.4	27.8	M16	HC211	P211	3.50
211-32	2												HC211-32		3.80
211-33	2-1/16	2-1/2	8-5/8	6-47/64	2-3/8	25/32	29/32	29/32	4-59/64	2.811	1.094	5/8	HC211-33		3.62
211-34	2-1/8												HC211-34		3.55
211-35	2-3/16												HC211-35		3.47
HCP212	60	69.8	241	184	70	20	23	25	138	77.8	31.0	M16	HC212	P212	4.76
212-36	2-1/4												HC212-36		4.78
212-37	2-5/16	2-3/4	9-1/2	7-1/4	2-3/4	25/32	29/32	63/64	5-7/16	3.063	1.22	5/8	HC212-37		4.83
212-38	2-3/8												HC212-38		4.76
212-39	2-7/16												HC212-39		4.75
HCP213	65	76.2	265	203	70	25	28	27	150	85.7	34.1	M20	HC213	P213	5.89
213-40	2-1/2	3	10-7/16	8	2-3/4	63/64	1-3/32	1-1/16	5-29/32	3.374	1.343	3/4	HC213-40		6.00
213-41	2-9/16												HC213-41		5.88
HCP214	70	79.4	266	210	72	25	28	27	156	85.7	34.1	M20	HC214	P214	6.27
214-42	2-5/8												HC214-42		6.21
214-43	2-11/16	3-1/8	10-15/32	8-17/64	2-27/32	63/64	1-3/32	1-1/16	6-9/64	3.374	1.343	3/4	HC214-43		6.40
214-44	2-3/4												HC214-44		6.28
HCP215	75	82.6	275	217	74	25	28	28	162	92.1	37.3	M20	HC215	P215	6.93
215-45	2-13/16												HC215-45		7.23
215-46	2-7/8	3-1/4	10-53/64	8-35/64	2-29/32	63/64	1-3/32	1-3/32	6-3/8	3.626	1.469	3/4	HC215-46		7.10
215-47	2-15/16												HC215-47		6.97
215-48	3												HC215-48		6.83
HCP216	80	88.9	292	232	78	25	28	30	174	95.2	37.3	M20	HC216	P216	8.54
216-49	3-1/16												HC216-49		8.74
216-50	3-1/8	3-1/2	11-1/2	9-1/8	3-1/16	63/64	1-3/32	1-3/16	6-27/32	3.748	1.469	3/4	HC216-50		8.60
216-51	3-3/16												HC216-51		8.45
HCP217	85	95.2	310	247	83	25	28	32	185	73.8	23.4	M20	HC217	P217	9.81
217-52	3-1/4												HC217-52		10.00
217-53	3-5/16	3-3/4	12-13/64	9-23/32	3-17/64	63/64	1-3/32	1-1/4	7-9/32	2.906	0.921	3/4	HC217-53		9.88
217-55	3-7/16												HC217-55		9.63
HCP218	90	101.6	327	262	88	27	30	33	198	72.6	24.5	M22	HC218	P218	11.41
218-56	3-1/2	4	12-7/8	10-5/16	3-15/32	1-1/16	1-3/16	1-19/64	7-51/64	2.858	0.965	7/8	HC218-56		11.50

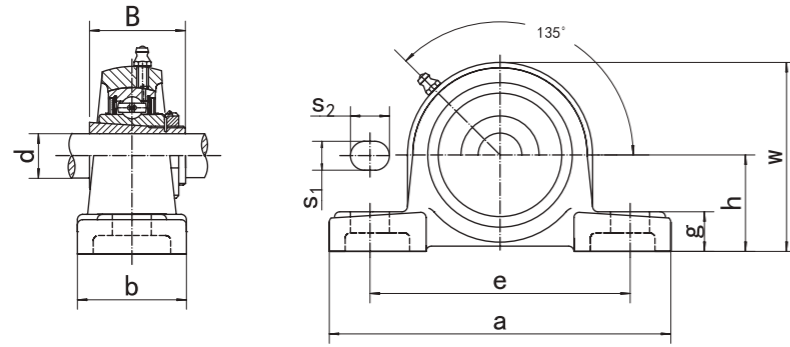
Pillow Blocks



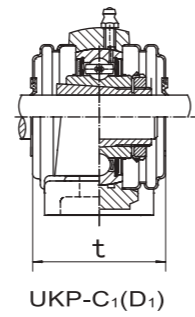
UCLP2 (Normal-duty)

Unit NO.	Dimensions (mm / in.)											Bolt Size mm/in.	Bearing No.	Housing No.	Weight (kg)
	d	h	a	e	b	s1	s2	g	w	B	n				
UCLP201	12	31.75	127	95	38	13	16	14	64	31	12.7	M10	UC201	LP201	0.69
201-8	1/2	1-1/4	5	3-3/4	1-1/2	1/2	5/8	9/16	2-33/64	1.2205	0.500	3/8	UC201-8		0.68
UCLP202	15	31.75	127	95	38	13	16	14	64	31	12.7	M10	UC202	LP202	0.68
202-9	9/16												UC202-9		0.68
202-10	5/8	1-1/4	5	3-3/4	1-1/2	1/2	5/8	9/16	2-33/64	1.2205	0.500	3/8	UC202-10		0.68
UCLP203	17	31.75	127	95	38	13	16	14	64	31	12.7	M10	UC203	LP203	0.67
203-11	11/16	1-1/4	5	3-3/4	1-1/2	1/2	5/8	9/16	2-33/64	1.2205	0.500	3/8	UC203-11		0.66
UCLP204	20	31.75	127	95	38	13	16	14	64	31	12.7	M10	UC204	LP204	0.65
204-12	3/4	1-1/4	5	3-3/4	1-1/2	1/2	5/8	9/16	2-33/64	1.2205	0.500	3/8	UC204-12		0.65
UCLP205	25	33.34	140	105	38	13	16	15	68	34.1	14.3	M10	UC205	LP205	0.74
205-13	13/16												UC205-13		0.78
205-14	7/8	1-5/16	5-1/2	4-1/8	1-1/2	1/2	5/8	19/32	2-43/64	1.3425	0.563	3/8	UC205-14		0.77
205-15	15/16												UC205-15		0.75
205-16	1												UC205-16		0.74
UCLP206	30	39.69	160	121	44	17	20	17	80	38.1	15.9	M14	UC206	LP206	1.11
206-17	1-1/16												UC206-17		1.12
206-18	1-1/8	1-9/16	6-19/64	4-3/4	1-47/64	43/64	25/32	21/32	3-5/32	1.5000	0.626	1/2	UC206-18		1.13
206-19	1-3/16												UC206-19		1.11
206-20	1-1/4												UC206-20		1.10
UCLP207	35	46.04	167	127	48	17	20	18	91	42.9	17.5	M14	UC207	LP207	1.42
207-20	1-1/4												UC207-20		1.48
207-21	1-5/16	1-13/16	6-9/16	5	1-7/8	43/64	25/32	45/64	3-37/64	1.6890	0.689	1/2	UC207-21		1.45
207-22	1-3/8												UC207-22		1.42
207-23	1-7/16												UC207-23		1.39
UCLP208	40	49.2	184	137	54	17	20	18	100	49.2	19	M14	UC208	LP208	1.87
208-24	1-1/2	1-15/16	7-1/4	5-13/32	2-1/8	43/64	25/32	45/64	3-15/16	1.9370	0.748	1/2	UC208-24		1.91
208-25	1-9/16												UC208-25		1.88
UCLP209	45	52.39	190	146	54	17	20	20	104	49.2	19	M14	UC209	LP209	2.03
209-26	1-5/8												UC209-26		2.13
209-27	1-1														

UKP2 (Normal-duty)

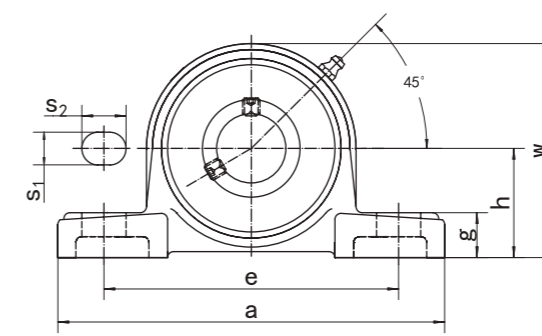


Pillow Blocks

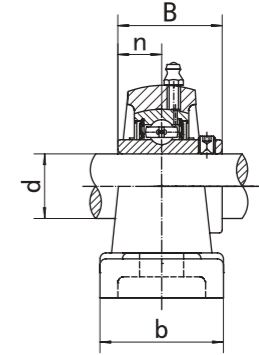


Unit NO.	Dimensions (mm / in.)											Bolt Size mm/in.	Bearing No.	Housing No.	Weight (kg)
	d	h	a	e	b	s1	s2	g	w	t	B				
UKP205;H2305 205;HE2305	20 3/4	36.5 1-7/16	140 5-1/2	105 4-1/8	38 1-1/2	13 1/2	19 3/4	15 19/32	71 2-25/32	48 1-57/64	35 1.378	M10 3/8	UK205;H2305 UK205;HE2305	P205	0.81
UKP206;H2306 206;HS2306 206;HE2306	25 7/8 1	42.9 1-11/16	160 6-9/64	121 4-3/4	44 1-47/64	17 43/64	20 25/32	17 43/64	84 3-5/16	53 2-5/64	38 1.496	M14 1/2	UK206;H2306 UK206;HS2306 UK206;HE2306	P206	1.26
UKP207;H2307 207;HS2307	30 1-1/8	47.6 1-7/8	167 6-9/16	127 5	48 1-7/8	17 43/64	20 25/32	18 45/64	93 3-21/32	59.5 2-11/32	43 1.693	M14 1/2	UK207;H2307 UK207;HS2307	P207	1.53
UKP208;H2308 208;HE2308 208;HS2308	35 1-1/4 1-3/8	49.2 1-15/16	184 7-1/4	137 5-13/32	54 2-1/8	17 43/64	20 25/32	18 45/64	100 3-15/16	69 2-23/32	46 1.811	M14 1/2	UK208;H2308 UK208;HE2308 UK208;HS2308	P208	1.93
UKP209;H2309 209;HA2309 209;HE2309 209;HS2309	40 1-7/16 1-1/2 1-5/8	54.0 2-1/8	190 7-15/32	146 5-3/4	54 2-1/8	17 43/64	20 25/32	20 25/32	106 4-11/64	69 2-23/32	50 1.969	M14 1/2	UK209;H2309 UK209;HA2309 UK209;HE2309 UK209;HS2309	P209	2.18
UKP210;H2310 210;HS2310 210;HA2310 210;HE2310	45 1-5/8 1-11/16 1-3/4	57.2 2-1/4	206 8-1/8	159 6-1/4	60 2-3/8	20 25/32	23 29/32	21 53/64	113 4-29/64	74.5 2-15/16	55 2.165	M16 5/8	UK210;H2310 UK210;HS2310 UK210;HA2310 UK210;HE2310	P210	2.78
UKP211;H2311 211;HS2311 211;HA2311 211;HE2311	50 1-7/8 1-15/16 2	63.5 2-1/2	219 8-5/8	171 6-47/64	60 2-3/8	20 25/32	23 29/32	23 29/32	125 4-59/64	76 3	59 2.323	M16 5/8	UK211;H2311 UK211;HS2311 UK211;HA2311 UK211;HE2311	P211	3.39
UKP212;H2312 212;HS2312	55 2-1/8	69.8 2-3/4	241 9-1/2	184 7-1/4	70 2-3/4	20 25/32	23 29/32	25 63/64	138 5-7/16	89 3-1/2	62 2.441	M16 5/8	UK212;H2312 UK212;HS2312	P212	4.52
UKP213;H2313 213;HA2313 213;HE2313 213;HS2313	60 2-3/16 2-1/4 2-3/8	76.2 3	265 10-7/16	203 8	70 2-3/4	25 63/64	28 1-3/32	27 1-1/16	150 5-29/32	89 3-1/2	65 2.559	M20 3/4	UK213;H2313 UK213;HA2313 UK213;HE2313 UK213;HS2313	P213	5.47
UKP215;H2315 215;HA2315 215;HE2315	65 2-7/16 2-1/2	82.6 3-1/4	275 10-53/64	217 8-35/64	74 2-29/32	25 63/64	28 1-3/32	28 1-3/32	162 6-3/8	99 3-57/64	73 2.874	M20 3/4	UK215;H2315 UK215;HA2315 UK215;HE2315	P215	6.84
UKP216;H2316 216;HA2316 216;HE2316	70 2-11/16 2-3/4	88.9 3-1/2	292 11-1/2	232 9-1/8	78 3-1/16	25 63/64	28 1-3/32	30 1-3/16	174 6-27/32	109 4-19/64	78 3.071	M20 3/4	UK216;H2316 UK216;HA2316 UK216;HE2316	P216	8.29
UKP217;H2317 217;HA2317 217;HE2317	75 2-15/16 3	95.2 3-3/4	310 12-13/64	247 9-23/32	83 3-17/64	25 63/64	28 1-3/32	32 1-1/4	185 7-9/32	113.2 4-29/64	82 3.228	M20 3/4	UK217;H2317 UK217;HA2317 UK217;HE2317	P217	9.97
UKP218;H2318 218;HA2318	80 3-3/16	101.6 4	327 12-7/8	262 10-5/16	88 3-15/32	27 1-1/16	30 1-3/16	33 1-19/64	198 7-51/64	123 4-27/32	86 3.386	M22 7/8	UK218;H2318 UK218;HA2318	P218	11.89

Pillow Blocks



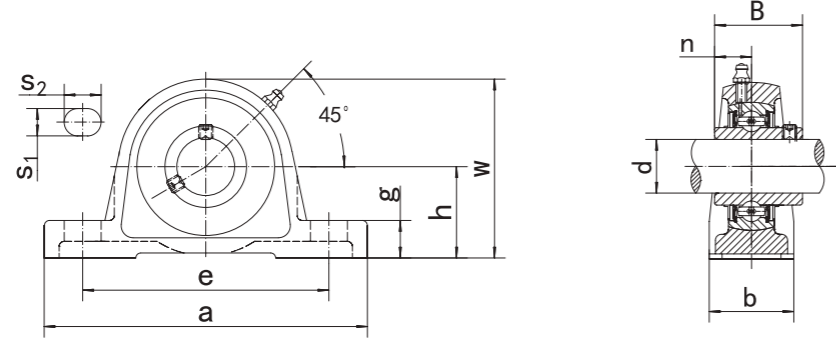
UCAK2 (Normal-duty)



Unit NO.	Dimensions (mm / in.)											Bolt Size mm/in.	Bearing No.	Housing No.	Weight (kg)
	d	h	a	e	b	s1	s2	g	w	B	n				
UCAK204 204-12	20 3/4	31.75 1-1/4	133 5-15/64	98 3-55/64	41 1-5/8	13 1/2	16 5/8	14 9/16	64 2-33/64	31 1.2205	12.7 0.500	M10 3/8	UC204 UC204-12	AK204	0.74 0.74
UCAK205 205-13 205-14 205-15 205-16	25 13/16 7/8 15/16 1	33.34 1-5/16	140 5-33/64	105 4-9/64	44 1-47/64	13 1/2	16 5/8	16 5/8	68 2-43/64	34.1 1.3425	14.3 0.563	M10 3/8	UC205 UC205-13 UC205-14 UC205-15 UC205-16	AK205	0.88 0.92 0.91 0.89 0.88
UCAK206 206-17 206-18 206-19 206-20	30 1-1/16 1-1/8 1-3/16 1-1/4	39.69 1-9/16	160 6-19/64	121 4-49/64	48 1-57/64	15 19/32	19 3/4	17 43/64	80 3-5/32	38.1 1.5000	15.9 0.626	M12 7/16	UC206 UC206-17 UC206-18 UC206-19 UC206-20	AK206	1.27 1.28 1.29 1.27 1.26
UCAK207 207-20 207-21 207-22 207-23	35 1-1/4 1-5/16 1-3/8 1-7/16	46.04 1-13/16	167 6-37/64	127 5	48 1-57/64	15 19/32	19 3/4	19 3/4	92 3-5/8	42.9 1.6890	17.5 0.689	M12 7/16	UC207 UC207-20 UC207-21 UC207-22 UC207-23	AK207	1.60 1.66 1.63 1.60 1.57
UCAK208 208-24 208-25	40 1-1/2 1-9/16	49.2 1-15/16	181 7-1/8	140 5-33/64	54 2-1/8	15 19/32	19 3/4	19 3/4	100 3-15/16	49.2 1.9370	19 0.748	M12 7/16	UC208 UC208-24 UC208-25	AK208	2.09 2.13 2.10
UCAK209 209-26 209-27 209-28	45 1-5/8 1-11/16 1-3/4	52.39 2-1/16	190 7-15/32	146 5-3/4	54 2-1/8	15 19/32	19 3/4	21 53/64	106 4-11/64	49.2 1.9370	19 0.748	M12 7/16	UC209 UC209-26 UC209-27 UC209-28	AK209	2.34 2.44 2.40 2.36
UCAK210 210-29 210-30 210-31 210-32	50 1-13/16 1-7/8 1-15/16 2	55.56 2-3/16	203 8	159 6-17/64	57 2-1/4	15 19/32	19 3/4	22 7/8	113 4-29/64	51.6 2.0315	19 0.748	M12 7/16	UC210 UC210-29 UC210-30 UC210-31 UC210-32	AK210	2.85 2.97 2.92 2.87 2.83
UCAK211 211-32 211-33 211-34 211-35	55 2 2-1/16 2-1/8 2-3/16	61.9 2-1/4	232 9-9/64	181 7-1/8	60 2-23/64	19 3/4	24 15/16	25 63/64	125 4-59/64	55.6 2.1890	22.2 0.874	M16 5/8	UC211 UC211-32 UC211-33 UC211-34 UC211-35	AK211	3.70 3.85 3.79 3.75 3.68
UCAK212 212-36 212-37 212-38 212-39	60 2-1/4 2-5/16 2-3/8 2-7/16	68.3 2-11/16	241 9-31/64	190 7-31/64	64 2-33/64	19 3/4	24 15/16	29 1-9/64	137 5-25/64	65.1 2.5630	25.4 1.000	M16 5/8	UC212 UC212-36 UC212-37 UC212-38 UC212-39	AK212	4.70 4.83 4.75 4.68 4.61

UCASE2 (Normal-duty)

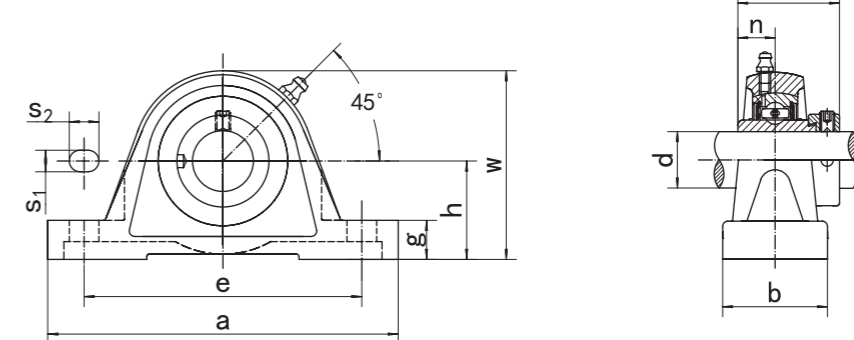
Pillow Blocks



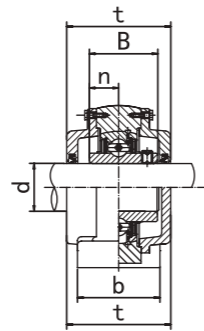
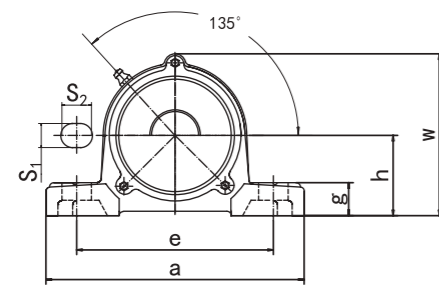
Unit NO.	Dimensions (mm / in.)											Bolt Size mm/in.	Bearing No.	Housing No.	Weight (kg)
	d	h	a	e	b	s1	s2	g	w	B	n				
UCASE201	12	30.2	125	95	30	11	19	10	57	27.4	11.5	3/8	UCS201RG	ASE201S	0.49
UCASE202	15	1-3/16	4-59/64	3-3/4	1-3/16	7/16	3/4	25/64	2-1/4	1.0787	0.4527		UCS202RG	ASE202S	
UCASE203	17												UCS203RG	ASE203S	
UCASE204	20	33.3	130	97	32	11	19	14.5	64	31	12.7	3/8	UC204RG	ASE204	0.58
UCASE205	25	36.5	130	103	36	11	19	14.5	70	34.1	14.3	3/8	UC205RG	ASE205	0.69
		1-7/16	5-1/8	4-1/16	1-27/64	7/16	3/4	37/64	2-3/4	1.3425	0.563				
UCASE206	30	42.9	158	118	40	14	22	17	82	38.1	15.9	7/16	UC206RG	ASE206	1.06
		1-11/16	6-7/32	4-41/64	1-37/64	35/64	55/64	43/64	3-15/64	1.5000	0.626				
UCASE207	35	47.6	163	126	45	14	21	19	93	42.9	17.5	7/16	UC207RG	ASE207	1.44
		1-7/8	6-27/64	4-61/64	1-49/64	35/64	53/64	3/4	3-21/32	1.689	0.689				
UCASE208	40	49.2	179	138	48	14	26	19	99	49.2	19	7/16	UC208RG	ASE208	1.80
		1-15/16	7-3/64	5-7/16	1-57/64	35/64	1-1/32	3/4	3-57/64	1.9370	0.748				
UCASE209	45	54.0	192	150	48	14	29	21.5	107	49.2	19	7/16	UC209RG	ASE209	2.09
		2-1/8	7-9/16	5-29/32	1-57/64	35/64	1-9/64	27/32	4-7/32	1.9370	0.748				
UCASE210	50	57.2	200	158	54	18	23	21.5	115	51.6	19.0	5/8	UC210RG	ASE210	2.63
		2-1/4	7-7/8	6-7/32	2-1/8	45/64	29/32	27/32	4-17/32	2.0315	0.748				
UCASE211	55	63.5	222	176	60	18	30	22.5	124.5	55.6	22.2	5/8	UC211RG	ASE211	3.24
		2-1/2	8-47/64	6-59/64	2-23/64	45/64	1-3/16	57/64	4-29/32	2.1890	0.874				
UCASE212	60	69.9	240	190	60	18	28	25.0	140	65.1	25.4	5/8	UC212RG	ASE212	4.32
		2-3/4	9-29/64	7-31/64	2-23/64	45/64	1-7/64	63/64	5-33/64	2.5630	1.000				
UCASE213	65	76.2	257	200	64	25	35	27.0	150	65.1	25.4	7/8	UC213RG	ASE213	5.06
		3	10-1/8	7-7/8	2-33/64	63/64	1-3/8	1-1/16	5-29/32	2.5630	1.000				
UCASE214	70	79.4	260	203	65	22	28	27.5	156	74.6	30.2	3/4	UC214RG	ASE214	5.64
		3-1/8	10-15/64	8	2-9/16	55/64	1-7/64	1-5/64	6-9/64	2.9370	1.189				
UCASE215	75	82.5	265	210	66	22	30	27.5	164	77.8	33.3	3/4	UC215RG	ASE215	6.28
		3-1/4	10-7/16	8-17/64	2-19/32	55/64	1-3/16	1-5/64	6-29/64	3.0630	1.311				
UCASE216	80	89.0	290	232	78	26	34	30.0	175	82.6	33.3	7/8	UC216RG	ASE216	8.15
		3-1/2	11-27/64	9-1/8	3-1/16	1-1/32	1-11/32	1-3/16	6-57/64	3.2520	1.311				
UCASE218	90	101.6	330	268	85	27	35	35.0	200	96	39.7	7/8	UC218RG	ASE218	11.84
		4	12-31/32	10-35/64	3-11/32	1-1/16	1-3/8	1-3/8	7-7/8	3.7795	1.563				

HCASE2 (Normal-duty)

Pillow Blocks



Unit NO.	Dimensions (mm / in.)											Bolt Size mm/in.	Bearing No.	Housing No.	Weight (kg)
	d	h	a	e	b	s1	s2	g	w	B	n				
HCASE201	12	33.3	130	97	32	11	19	10	64	43.7	17.1	3/8	HC201RG	ASE201	0.64
HCASE202	15	1-5/16	5-1/8	3-13/16	1-17/64	7/16	3/4	25/64	2-33/64	1.720	0.673		HC202RG	ASE202	
HCASE203	17												HC203RG	ASE203	
HCASE204	20	HC204RG	ASE204												
HCASE205	25	36.5	130	103	36	11	19	14.5	70	44.4	17.5	3/8	HC205RG	ASE205	0.75
		1-7/16	5-1/8	4-1/16	1-27/64	7/16	3/4	37/64	2-3/4	1.748	0.689				
HCASE206	30	42.9	158	118	40	14	22	17	82	48.4	18.3	7/16	HC206RG	ASE206	1.13
		1-11/16	6-7/32	4-41/64	1-37/64	35/64	55/64	43/64	3-15/64	1.906	0.720				
HCASE207	35	47.6	163	126	45	14	21	19	93	51.1	18.8	7/16	HC207RG	ASE207	1.57
		1-7/8	6-27/64	4-61/64	1-49/64	35/64	53/64	3/4	3-21/32	2.012	0.740				
HCASE208	40	49.2	179	138	48	14	26	19	99	56.3	21.4	7/16	HC208RG	ASE208	1.93
		1-15/16	7-3/64	5-7/16	1-57/64	35/64	1-1/32	3/4	3-57/64	2.217	0.843				
HCASE209	45	54	192	150	48	14	29	21.5	107	56.3	21.4	7/16	HC209RG	ASE209	2.22
		2-1/8	7-9/16	5-29/32	1-57/64	35/64	1-9/64	27/32	4-7/32	2.217	0.843				
HCASE210	50	57.2	200	158	54	18	23	21.5	115	62.7	24.6	5/8	HC210RG	ASE210	2.82
		2-1/4	7-7/8	6-7/32	2-1/8	45/64	29/32	27/32	4-17/32	2.469	0.969				
HCASE211	55	63.5	222	176	60	18	30	22.5	124.5	71.4	27.8	5/8	HC211RG	ASE211	3.51
		2-1/2	8-47/64	6-59/64	2-23/64	45/64	1-3/16	57/64	4-29/32	2.811	1.094				
HCASE212	60	69.9	240	190	60	18	28	25	140	77.8	31	5/8	HC212RG	ASE212	4.64
		2-3/4	9-29/64	7-31/64	2-23/64	45/64	1-7/64	63/64	5-33/64	3.063	1.220				
HCASE213	65	76.2	257	200	64	25	35	27	150	85.7	34.1	7/8	HC213RG	ASE213	5.60
		3	10-1/8	7-7/8	2-23/64	63/64	1-3/8	1-1/16	5-29/32	3.374	1.343				
HCASE214	70	79.4	260	203	65	22	28	27.5	156	85.7	34.1	3/4	HC214RG	ASE214	6.05
		3-1/8	10-15/64	8	2-9/16	55/64	1-7/64	1-5/64	6-9/64	3.374	1.343				
HCASE215	75	82.5	265	210	66	22	30	27.5	164	92.1	37.3	3/4	HC215RG	ASE215	6.77
		3-1/4	10-7/16	8-17/64	2-19/32	55/64	1-3/16	1-5/64	6-29/64	3.626	1.469				
HCASE216	80	89	290	232	78	26	34	30	175	95.2	37.3	7/8	HC216RG	ASE216	8.83
		3-1/2	11-27/64	9-1/8	3-1/16	1-1/32	1-11/32	1-3/16	6-57/64	3.748	1.469				
HCASE218	90	101.6	330	268	85	27	35	35	200	72.6	24.5	7/8	HC218RG	ASE218	11.75
		4	12-31/32	10-35/64	3-11/32	1-1/16	1-3/8	1-3/8	7-7/8	2.858	0.965				

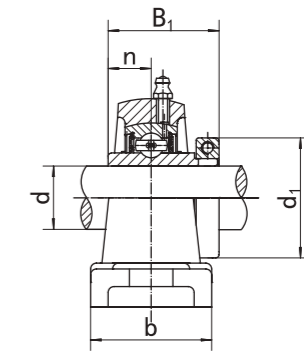
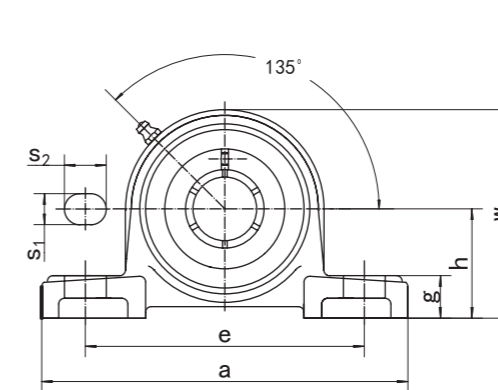


UCCP-GC(GD)

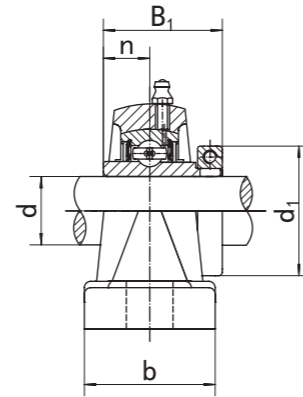
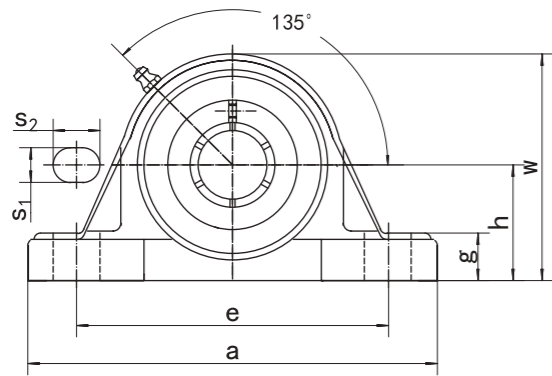
Pillow Blocks

Unit NO.	Dimensions (mm / in.)												Bolt Size mm/in.	Bearing No.	Housing No.	Weight (kg)
	d	h	a	e	b	s1	s2	g	w	t	B	n				
UCCP204 204-12	20 3/4	33.3 1-5/16	127 5	95 3-3/4	38 1-1/2	13 1/2	19 3/4	14 9/16	69 2-23/32	62.0 2-7/16	31 1.2205	12.7 0.500	M10 3/8	UC204 UC204-12	CP204	0.82 0.82
UCCP205 205-13 205-14 205-15 205-16	25 13/16 7/8 15/16 1	36.5 1-7/16	140 5-1/2	105 4-1/8	38 1-1/2	13 1/2	19 3/4	15 19/32	76 2-63/64	70 2-3/4	34.1 1.3425	14.3 0.563	M10 3/8	UC205 UC205-13 UC205-14 UC205-15 UC205-16	CP205	1.11 1.15 1.14 1.12 1.11
UCCP206 206-17 206-18 206-19 206-20	30 1-1/16 1-1/8 1-3/16 1-1/4	42.9 1-11/16	160 6-19/64	121 4-3/4	44 1-47/64	17 43/64	20 25/32	17 21/32	87 3-27/64	74 2-29/32	38.1 1.5000	15.9 0.626	M14 1/2	UC206 UC206-17 UC206-18 UC206-19 UC206-20	CP206	1.64 1.65 1.66 1.64 1.63
UCCP207 207-20 207-21 207-22 207-23	35 1-1/4 1-5/16 1-3/8 1-7/16	47.6 1-7/8	167 6-9/16	127 5	48 1-7/8	17 43/64	20 25/32	18 45/64	97 3-13/16	80 3-5/32	42.9 1.6890	17.5 0.689	M14 1/2	UC207 UC207-20 UC207-21 UC207-22 UC207-23	CP207	2.09 2.15 2.12 2.09 2.06
UCCP208 208-24 208-25	40 1-1/2 1-9/16	49.2 1-15/16	184 7-1/4	137 5-13/32	54 2-1/8	17 43/64	20 25/32	18 45/64	104 4-3/32	90 3-35/64	49.2 1.9370	19 0.748	M14 1/2	UC208 UC208-24 UC208-25	CP208	2.61 2.65 2.62
UCCP209 209-26 209-27 209-28	45 1-5/8 1-11/16 1-3/4	54.0 2-1/8	190 7-15/32	146 5-3/4	54 2-1/8	17 43/64	20 25/32	20 25/32	114 4-31/64	90 3-35/64	49.2 1.9370	19 0.748	M14 1/2	UC209 UC209-26 UC209-27 UC209-28	CP209	2.80 2.90 2.86 2.82
UCCP210 210-29 210-30 210-31 210-32	50 1-13/16 1-7/8 1-15/16 2	57.2 2-1/4	206 8-1/8	159 6-1/4	60 2-3/8	20 25/32	23 29/32	21 53/64	120 4-23/32	98 3-55/64	51.6 2.0315	19.0 0.748	M16 5/8	UC210 UC210-29 UC210-30 UC210-31 UC210-32	CP210	3.26 3.38 3.33 3.28 3.24
UCCP211 211-32 211-33 211-34 211-35	55 2 2-1/16 2-1/8 2-3/16	63.5 2-1/2	219 8-5/8	171 6-47/64	60 2-3/8	20 25/32	23 29/32	23 29/32	133 5-15/64	100 3-15/16	55.6 2.1890	22.2 0.874	M16 5/8	UC211 UC211-32 UC211-33 UC211-34 UC211-35	CP211	4.27 4.42 4.36 4.31 4.25
UCCP212 212-36 212-37 212-38 212-39	60 2-1/4 2-5/16 2-3/8 2-7/16	69.8 2-3/4	241 9-1/2	184 7-1/4	70 2-3/4	20 25/32	23 29/32	25 63/64	145 5-45/64	114 4-31/64	65.1 2.5630	25.4 1.000	M16 5/8	UC212 UC212-36 UC212-37 UC212-38 UC212-39	CP212	5.77 5.90 5.82 5.75 5.68
UCCP213 213-40 213-41	65 2-1/2 2-9/16	76.2 3	265 10-7/16	203 8	70 2-3/4	25 63/64	28 1-3/32	27 1-1/16	156 6-9/64	118 4-41/64	65.1 2.5630	25.4 1.000	M20 3/4	UC213 UC213-40 UC213-41	CP213	6.98 7.07 6.98
UCCP214 214-42 214-43 214-44	70 2-5/8 2-11/16 2-3/4	79.4 3-1/8	266 10-15/32	210 8-17/64	72 2-27/32	25 63/64	28 1-3/32	27 1-1/16	162 6-3/8	134 5-9/32	74.6 2.9370	30.2 1.189	M20 3/4	UC214 UC214-42 UC214-43 UC214-44	CP214	7.60 7.81 7.71 7.61
UCCP215 215-45 215-46 215-47 215-48	75 2-13/16 2-7/8 2-15/16 3	82.6 3-1/4	275 10-53/64	217 8-35/64	74 2-29/32	25 63/64	28 1-3/32	28 1-3/32	167 6-37/64	136 5-23/64	77.8 3.0630	33.3 1.311	M20 3/4	UC215 UC215-45 UC215-46 UC215-47 UC215-48	CP215	8.31 8.56 8.44 8.33 8.21
UCCP216 216-49 216-50 216-51	80 3-1/16 3-1/8 3-3/16	88.9 3-1/2	292 11-1/2	232 9-1/8	78 3-1/16	25 63/64	28 1-3/32	30 1-3/16	188 7-13/32	146 5-3/4	82.6 3.2520	33.3 1.311	M20 3/4	UC216 UC216-49 UC216-50 UC216-51	CP216	10.70 10.88 10.75 10.62
UCCP217 217-52 217-53 217-55	85 3-1/4 3-5/16 3-7/16	95.2 3-3/4	310 12-13/64	247 9-23/32	83 3-17/64	25 63/64	28 1-3/32	32 1-1/4	199 7-53/64	150 5-29/32	85.7 3.3740	34.1 1.343	M20 3/4	UC217 UC217-52 UC217-53 UC217-55	CP217	13.86 14.08 13.94 13.65
UCCP218 218-56	90 3-1/2	101.6 4	327 12-7/8	262 10-5/16	88 3-15/32	27 1-1/16	30 1-3/16	33 1-19/64	211 8-5/16	164 6-29/64	96 3.7795	39.7 1.5630	M22 7/8	UC218 UC218-56	CP218	16.06 16.17

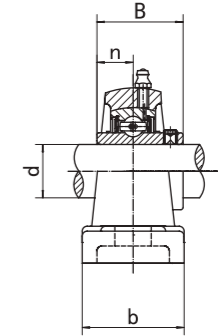
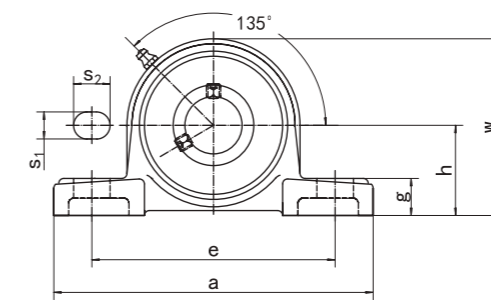
Pillow Blocks



Unit NO.	Dimensions (mm / in.)												Bolt Size mm/in.	Bearing No.	Housing No.	Weight (kg)
	d	d1	h	a	e	b	s1	s2	g	w	B1	n				
NCP204 204-12	20 3/4	44.5 1-3/4	33.3 1-5/16	127 5	95 3-3/4	38 1-1/2	13 1/2	19 3/4	14 9/16	65 2-9/16	33.4 1.315	12.7 0.500	M10 3/8	NC204 NC204-12	P204	0.79
NCP205 205-14 205-15 205-16	25 7/8 15/16 1	49.2 1-15/16	36.5 1-7/16	140 5-1/2	105 4-1/8	38 1-1/2	13 1/2	19 3/4	15 19/32	71 2-25/32	36.5 1.437	14.3 0.563	M10 3/8	NC205 NC205-14 NC205-15 NC205-16	P205	0.97
NCP206 206-18 206-19 206-20	30 1-1/8 1-3/16 1-1/4	55.6 2-3/16	42.9 1-11/16	160 6-19/64	121 4-3/4	44 1-47/64	17 43/64	20 25/32	17 21/32	84 3-5/16	39.7 1.563	15.9 0.626	M14 1/2	NC206 NC206-18 NC206-19 NC206-20	P206	1.40
NCP207 207-20 207-22 207-23	35 1-1/4 1-3/8 1-7/16	65.1 2-7/16	47.6 1-7/8	167 6-9/16	127 5	48 1-7/8	17 43/64	20 25/32	18 45/64	93 3-21/32	44.5 1.752	17.5 0.740	M14 1/2	NC207 NC207-20 NC207-22 NC207-23	P207	1.81
NCP208 208-24	40 1-1/2	68.3 2-11/16	49.2 1-15/16	184 7-1/4	137 5-13/32	54 2-1/8	17 43/64	20 25/32	18 45/64	100 3-15/16	50.8 2	19.0 0.748	M14 1/2	NC208 NC208-24	P208	2.26
NCP209 209-26 209-27 209-28	45 1-5/8 1-11/16 1-3/4	74.6 2-13/16	54.0 2-1/8	190 7-15/32	146 5-3/4	54 2-1/8	17 43/64	20 25/32	20 25/32	106 4-11/64	50.8 2	19.0 0.748	M14 1/2	NC209 NC209-26 NC209-27 NC209-28	P209	2.51
NCP210 210-31 210-32	50 1-15/16 2	85.7 3-3/8	57.2 2-1/4	206 8-1/8	159 6-1/4	60 2-3/8	20 25/32	23 29/32	21 53/64	113 2-29/64	53.1 2.091	19.0 0.748	M16 5/8	NC210 NC210-31 NC210-32	P210	3.26
NCP211 211-32 211-35	55 2 2-3/16	92.1 3-1/2	63.5 2-1/2	219 8-5/8	171 6-47/64	60 2-3/8	20 25/32	23 29/32	23 29/32	125 4-59/64	57.1 2.248	22.2 0.874	M16 5/8	NC211 NC211-32 NC211-35	P211	3.74
NCP212 212-36 212-39	60 2-1/4 2-7/16	104.8 4-1/16	69.8 2-3/4	241 9-1/2	184 7-1/4	70 2-3/4	20 25/32	23 29/32	25 63/64	138 5-7/16	66.7 2.626	25.4 1.000	M16 5/8	NC212 NC212-36 NC212-39	P212	5.25

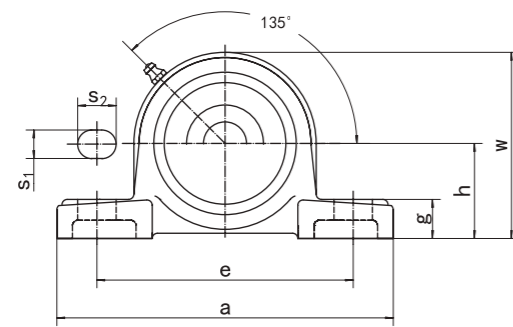


Unit NO.	Dimensions (mm / in.)												Bolt Size mm/in.	Bearing No.	Housing g No.	Weight (kg)
	d	d ₁	h	a	e	b	s ₁	s ₂	g	w	B ₁	n				
NCPE204	20	44.5	33.3	127	95	38	13	19	14	65	33.4	12.7	M10	NC204	PE204	0.88
204-12	3/4	1-3/4	1-5/16	5	3-3/4	1-1/2	1/2	3/4	9/16	2-9/16	1.315	0.500	3/8	NC204-12		
NCPE205	25	49.2	36.5	140	105	38	13	19	15	71	36.5	14.3	M10	NC205	PE205	1.10
205-14	7/8													NC205-14		
205-15	15/16	1-15/16	1-7/16	5-1/2	4-1/8	1/1/2	1/2	3/4	19/32	2-25/32	1.437	0.563	3/8	NC205-15		
205-16	1													NC205-16		
NCPE206	30	55.6	42.9	160	121	44	17	20	17	84	39.7	15.9	M14	NC206	PE206	1.57
206-18	1-1/8													NC206-18		
206-19	1-3/16	2-3/16	1-11/16	6-19/64	4-3/4	1-47/64	43/64	25/32	21/32	3-5/16	1.563	0.626	1/2	NC206-19		
206-20	1-1/4													NC206-20		
NCPE207	35	65.1	47.6	167	127	48	17	20	18	93	44.5	17.5	M14	NC207	PE207	2.07
207-20	1-1/4	2-7/16												NC207-20		
207-22	1-3/8	2-9/16	1-7/8	6-9/16	5	1-7/8	43/64	25/32	45/64	3-21/32	1.752	0.740	1/2	NC207-22		
207-23	1-7/16													NC207-23		
NCPE208	40	68.3	49.2	184	137	54	17	20	18	100	50.8	19.0	M14	NC208	PE208	2.60
208-24	1-1/2	2-11/16	1-15/16	7-1/4	5-13/32	2-1/8	43/64	25/32	45/64	3-15/16	2	0.748	1/2	NC208-24		
NCPE209	45	74.6	54.0	190	146	54	17	20	20	106	50.8	19.0	M14	NC209	PE209	2.89
209-26	1-5/8	2-13/16												NC209-26		
209-27	1-11/16		2-1/8	7-15/32	5-3/4	2-1/8	43/64	25/32	25/32	4-11/64	2	0.748	1/2	NC209-27		
209-28	1-3/4	2-15/16												NC209-28		
NCPE210	50	85.7	57.2	206	159	60	20	23	21	113	53.1	19.0	M16	NC210	PE210	3.70
210-31	1-15/16													NC210-31		
210-32	2	3-3/8	2-1/4	8-1/8	6-1/4	2-3/8	25/32	29/32	53/64	4-24/64	2.091	0.748	5/8	NC210-32		
NCPE211	55	92.1	63.5	219	171	60	20	23	23	125	57.1	22.2	M16	NC211	PE211	4.24
211-32	2	3-1/2												NC211-32		
211-35	2-3/16	3-5/8	2-1/2	8-5/8	6-47/64	2-3/8	25/32	29/32	29/32	4-59/64	2.248	0.874	5/8	NC211-35		
NCPE212	60	104.8	69.8	241	184	70	20	23	25	138	66.7	25.4	M16	NC212	PE212	6.06
212-36	2-1/4	4-1/16												NC212-36		
212-39	2-7/16	4-1/8	2-3/4	9-1/2	7-1/4	2-3/4	25/32	29/32	63/64	5-7/16	2.626	1.000	5/8	NC212-39		

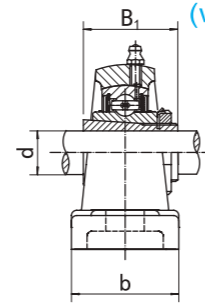


Unit NO.	Dimensions (mm / in.)											Bolt Size mm/in.	Bearing No.	Housing No.	Weight (kg)
	d	h	a	e	b	s ₁	s ₂	g	w	B	n				
UCPX05	25	44.4	159	119	51	17	20	18	85	38.1	15.9	M14	UCX05	PX05	1.33
X05-13	13/16												UCX05-13		
X05-14	7/8	1-3/4	6-1/4	4-11/16	2	43/64	25/32	23/32	3-11/32	1.5000	0.626	1/2	UCX05-14		
X05-15	15/16												UCX05-15		
X05-16	1												UCX05-16		
UCPX06	30	47.6	175	127	57	17	20	20	93	42.9	17.5	M14	UCX06	PX06	1.71
X06-17	1-1/16												UCX06-17		
X06-18	1-1/8	1-7/8	6-7/8	5	2-1/4	43/64	25/32	25/32	3-21/32	1.6890	0.689	1/2	UCX06-18		
X06-19	1-3/16												UCX06-19		
X06-20	1-1/4												UCX06-20		
UCPX07	35	54.0	203	144	57	17	20	21	105	49.2	19	M14	UCX07	PX07	2.30
X07-21	1-5/16												UCX07-21		
X07-22	1-3/8	2-1/8	8	5-21/32	2-1/4	43/64	25/32	13/16	4-1/8	1.9370	0.748	1/2	UCX07-22		
X07-23	1-7/16												UCX07-23		
UCPX08	40	58.7	222	156	67	20	23	26	111	49.2	19	M16	UCX08	PX08	2.84
X08-24	1-1/2	2-5/16	8-3/4	6-5/32	2-5/8	25/32	29/32	1-1/32	4-3/8	1.9370	0.748	5/8	UCX08-24		
X08-25	1-9/16												UCX08-25		
UCPX09	45	58.7	222	156	67	20	23	26	116	51.6	19	M16	UCX09	PX09	3.20
X09-26	1-5/8												UCX09-26		
X09-27	1-11/16	2-5/16	8-3/4	6-5/32	2-5/8	25/32	29/32	1-1/32	4-9/16	2.0315	0.748	5/8	UCX09-27		
X09-28	1-3/4												UCX09-28		
X09-29	1-13/16												UCX09-29		
UCPX10	50	63.5	241	171	73	20	23	27	126	55.6	22.2	M16	UCX10	PX10	4.07
X10-30	1-7/8												UCX10-30		
X10-31	1-15/16	2-1/2	9-1/2	6-47/64	2-7/8	25/32	29/32	1-1/16	4-31/32	2.1890	0.874	5/8	UCX10-31		
X10-32	2												UCX10-32		
UCPX11	55	69.8	260	184	79	25	28	30	137	65.1	25.4	M20	UCX11	PX11	5.18
X11-33	2-1/16												UCX11-33		
X11-34	2-1/8	2-3/4	10-1/4	7-1/4	3-1/8	31/32	1-3/32	1-3/16	5-13/32	2.5630	1.000	3/4	UCX11-34		
X11-35	2-3/16												UCX11-35		
X11-36	2-1/4												UCX11-36		
X11-37	2-5/16												UCX11-37		
UCPX12	60	76.2	286	203	83	25	28	33	151	65.1	25.4	M20	UCX12	PX12	6.67
X12-38	2-3/8	3	11-1/4	8	3-9/32	31/32	1-3/32	1-5/16	5-15/16	2.5630	1.000	3/4	UCX12-38		
X12-39	2-7/16												UCX12-39		
UCPX13	65	76.2	286	203	83	25	28	33	154	74.6	30.2	M20	UCX13	PX13	6.92
X13-40	2-1/2	3	11-1/4	8	3-9/32	63/64	1-3/32	1-5/16	6-1/16	2.9370	1.189	3/4	UCX13-40		
X13-41	2-9/16												UCX13-41		
UCPX14	70	88.9	330	229	89	27	30	35	170	77.8	33.3	M22	UCX14	PX14	8.64
X14-42	2-5/8												UCX14-42		
X14-43	2-11/16	3-1/2	13	9-1/32	3-1/2	1-1/16	1-3/16	1-3/8	6-11/16	3.0630	1.311	7/8	UCX14-43		
X14-44	2-3/4												UCX14-44		
UCPX15	75	88.9	330	229	89	27	30	35	175	82.6	33.3	M22	UCX15	PX15	9.40
X15-45	2-13/16												UCX15-45		
X15-46	2-7/8	3-1/2	13	9-1/32	3-1/2	1-1/16	1-3/16	1-3/8	6-7/8	3.2520	1.311	7/8	UCX15-46		
X15-47	2-15/16												UCX15-47		
X15-48	3												UCX15-48		
UCPX16	80	101.6	381	283	102	27	30	40	194	85.7	34.1	M22	UCX16	PX16	13.4
X16-49	3-1/16												UCX16-49		
X16-50	3-1/8	4	15	11-5/32	4-1/32	1-1/16	1-3/16	1-9/16	7-5/8	3.3740	1.343	7/8	UCX16-50		
X16-51	3-3/16												UCX16-51		
X16-52	3-1/4														

UKPX (Medium-duty)

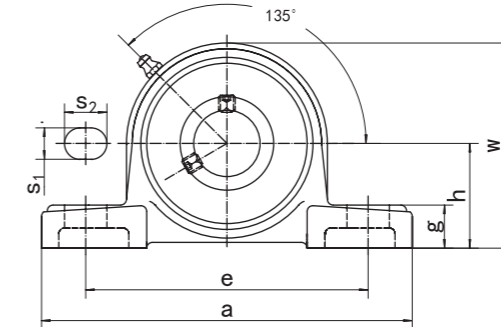


Pillow Blocks
(with adapter mounted)

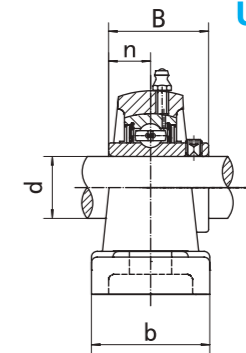


Unit NO.	Dimensions (mm / in.)										Bolt Size mm/in.	Bearing No.	Housing No.	Weight (kg)
	d	h	a	e	b	s1	s2	g	w	B1				
UKPX05;H2305 X05;HE2305	20 3/4	44.4 1-3/4	159 6-1/4	119 4-11/16	51 2	17 43/64	20 25/32	18 23/32	85 3-11/32	35 1.378	M14 1/2	UKX05;H2305 UKX05;HE2305	PX05	1.33
UKPX06;H2306 X06;HS2306 X06;HE2306	25 7/8 1	47.6 1-7/8	175 6-7/8	127 5	57 2-1/4	17 43/64	20 25/32	20 25/32	93 3-21/32	38 1.496	M14 1/2	UKX06;H2306 UKX06;HS2306 UKX06;HE2306	PX06	1.75
UKPX07;H2307 X07;HS2307	30 1-1/8	54.0 2-1/8	203 8	144 5-21/32	57 2-1/4	17 43/64	20 25/32	21 13/16	105 4-1/8	43 1.693	M14 1/2	UKX07;H2307 UKX07;HS2307	PX07	2.33
UKPX08;H2308 X08;HE2308 X08;HS2308	35 1-1/4 1-3/8	58.7 2-5/16	222 8-3/4	156 6-5/32	67 2-5/8	20 25/32	23 29/32	26 1-1/32	111 4-3/8	46 1.811	M16 5/8	UKX08;H2308 UKX08;HE2308 UKX08;HS2308	PX08	2.89
UKPX09;H2309 X09;HA2309 X09;HE2309 X09;HS2309	40 1-7/16 1-1/2 1-5/8	58.7 2-5/16	222 8-3/4	156 6-5/32	67 2-5/8	20 25/32	23 29/32	26 1-1/32	116 4-9/16	50 1.969	M16 5/8	UKX09;H2309 UKX09;HA2309 UKX09;HE2309 UKX09;HS2309	PX09	3.25
UKPX10;H2310 X10;HS2310 X10;HA2310 X10;HE2310	45 1-5/8 1-11/16 1-3/4	63.5 2-1/2	241 9-1/2	171 6-47/64	73 2-7/8	20 25/32	23 29/32	27 1-1/16	126 4-31/32	55 2.165	M16 5/8	UKX10;H2310 UKX10;HS2310 UKX10;HA2310 UKX10;HE2310	PX10	4.22
UKPX11;H2311 X11;HS2311 X11;HA2311 X11;HE2311	50 1-7/8 1-15/16 2	69.8 2-3/4	260 10-1/4	184 7-1/4	79 3-1/8	25 31/32	28 1-3/32	30 1-3/16	137 5-13/32	59 2.323	M20 3/4	UKX11;H2311 UKX11;HS2311 UKX11;HA2311 UKX11;HE2311	PX11	5.24
UKPX12;H2312 X12;HS2312	55 2-1/8	76.2 3	286 11-1/4	203 8	83 3-9/32	25 63/64	28 1-3/32	33 1-5/16	151 5-15/16	62 2.441	M20 3/4	UKX12;H2312 UKX12;HS2312	PX12	6.51
UKPX13;H2313 X13;HA2313 X13;HE2313 X13;HS2313	60 2-3/16 2-1/4 2-3/8	76.2 3	286 11-1/4	203 8	83 3-9/32	25 63/64	28 1-3/32	33 1-5/16	154 6-1/16	65 2.559	M20 3/4	UKX13;H2313 UKX13;HA2313 UKX13;HE2313 UKX13;HS2313	PX13	6.93
UKPX15;H2315 X15;HA2315 X15;HS2315	65 2-7/16 2-1/2	88.9 3-1/2	330 13	229 9-1/32	89 3-1/2	27 1-1/16	30 1-3/16	35 1-3/8	175 6-7/8	73 2.874	M22 7/8	UKX15;H2315 UKX15;HA2315 UKX15;HS2315	PX15	9.40
UKPX16;H2316 X16;HA2316 X16;HS2316	70 2-11/16 2-3/4	101.6 4	381 15	283 11-5/32	102 4-1/32	27 1-1/16	30 1-3/16	40 1-9/16	194 7-5/8	78 3.071	M22 7/8	UKX16;H2316 UKX16;HA2316 UKX16;HS2316	PX16	13.32
UKPX17;H2317 X17;HA2317 X17;HE2317	75 2-15/16 3	101.6 4	381 15	283 11-5/32	102 4-1/32	27 1-1/16	30 1-3/16	40 1-9/16	200 7-7/8	82 3.228	M22 7/8	UKX17;H2317 UKX17;HA2317 UKX17;HE2317	PX17	14.55
UKPX18;H2318 X18;HA2318	80 3-3/16	101.6 4	381 15	283 11-5/32	111 4-3/8	27 1-1/16	30 1-3/16	40 1-9/16	206 8-1/8	86 3.386	M22 7/8	UKX18;H2318 UKX18;HA2318	PX18	16.26
UKPX20;H2320 X20;HA2320	90 3-1/2	127.0 5	432 17	337 13-9/32	121 4-3/4	33 1-5/16	36 1-13/32	45 1-25/32	244 9-5/8	97 3.814	M27 1	UKX20;H2320 UKX20;HA2320	PX20	23.86

Pillow Blocks

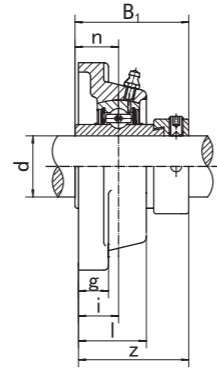
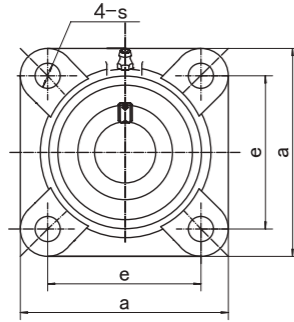


UCP3 (Heavy-duty)



Unit NO.	Dimensions (mm / in.)											Bolt Size mm/in.	Bearing No.	Housing No.	Weight (kg)
	d	h	a	e	b	s1	s2	g	w	B	n				
UCP305 305-13 305-14 305-15 305-16	25 13/16 7/8 15/16 1	45 1-49/64	175 6-7/8	132 5-3/16	45 1-25/32	17 43/64	20 25/32	15 19/32	85 3-11/32	38 1.4961	15 0.591	M14 1/2	UC305 UC305-13 UC305-14 UC305-15 UC305-16	P305	1.27 1.32 1.30 1.28 1.27
UCP306 306-17 306-18 306-19	30 1-1/16 1-1/8 1-3/16	50 1-31/32	180 7-3/32	140 5-1/2	50 1-31/32	17 43/64	20 25/32	18 23/32	95 3-3/4	43 1.6929	17 0.669	M14 1/2	UC306 UC306-17 UC306-18 UC306-19	P306	1.73 1.79 1.76 1.74
UCP307 307-20 307-21 307-22 307-23	35 1-1/4 1-5/16 1-3/8 1-7/16	56 1-13/64	210 8-9/32	160 6-5/16	56 2-13/64	17 43/64	25 31/32	20 25/32	106 4-3/16	48 1.8898	19 0.748	M14 1/2	UC307 UC307-20 UC307-21 UC307-22 UC307-23	P307	2.38 2.44 2.41 2.38 2.35
UCP308 308-24 308-25	40 1-1/2 1-9/16	60 2-23/64	220 8-21/32	170 6-11/16	60 2-3/8	17 43/64	27 1-11/16	22 7/8	116 4-9/16	52 2.0472	19 0.748	M14 1/2	UC308 UC308-24 UC308-25	P308	3.08 3.12 3.08
UCP309 309-26 309-27 309-28	45 1-5/8 1-11/16 1-3/4	67 2-41/64	245 9-21/32	190 7-15/32	67 2-5/8	20 25/32	30 1-3/16	24 15/16	129 5-3/32	57 2.2441	22 0.866	M16 5/8	UC309 UC309-26 UC309-27 UC309-28	P309	4.17 4.27 4.23 4.18
UCP310 310-29 310-30 310-31	50 1-13/16 1-7/8 1-15/16	75 2-61/64	275 10-13/16	212 8-11/32	75 2-15/16	20 25/32	35 1-3/8	27 1-1/16	143 5-5/8	61 2.4016	22 0.866	M16 5/8	UC310 UC310-29 UC310-30 UC310-31	P310	5.69 6.03 5.78 5.72
UCP311 311-32 311-33 311-34 311-35	55 2 2-1/16 2-1/8 2-3/16	80 3-5/32	310 12-7/32	236 9-9/32	80 3-5/32	20 25/32	38 1-1/2	30 1-3/16	154 6-1/16	66 2.5984	25 0.984	M16 5/8	UC311 UC311-32 UC311-33 UC311-34 UC311-35	P311	7.24 7.42 7.35 7.29 7.21
UCP312 312-36 312-37 312-38 312-39	60 2-1/4 2-5/16 2-3/8 2-7/16	85 3-11/32	330 13	250 9-27/32	85 3-11/32	25 31/32	38 1-1/2	32 1-1/4	165 6-1/2	71 2.7953	26 1.024	M20 3/4	UC312 UC312-36 UC312-37 UC312-38 UC312-39	P312	8.88 9.03 8.95 8.86 8.78
UCP313 313-40 313-41	65 2-1/2 2-9/16	90 3-35/64	340 13-3/8	260 10-1/4	90 3-17/32	25 31/32	38 1-1/2	33 1-5/16	176 6-15/16	75 2.9528	30 1.181	M20 3/4	UC313 UC313-40 UC313-41	P313	10.51 10.59 10.49
UCP314 314-42 314-43 314-44	70 2-5/8 2-11/16 2-3/4	95 3-47/64	360 14-3/16	280 11-1/32	90 3-17/32	27 1-1/16	40 1-9/16	35 1-3/8	187 7-3/8	78 3.0708	33 1.299	M22 7/8	UC314 UC314-42 UC314-43 UC314-44	P314	12.04 12.26 12.15 12.05
UCP315 315-45 315-46 315-47 315-48	75 2-13/16 2-7/8 2-15/16 3	100 3-15/16	380 14-31/32	290 11-13/32	100 3-15/16	27 1-1/16	40 1-9/16	35 1-3/8	198 7-25/32	82 3.2283	32 1.260	M22 7/8	UC315 UC315-45 UC315-46 UC315-47 UC315-48	P315	14.51 14.78 14.64 14.55 14.42
UCP316 316-49 316-50 316-51	80 3-1/16 3-1/8 3-3/16	106 4-11/64	400 15-3/4	300 11-13/16	110 4-11/32	27 1-1/16	40 1-9/16	40 1-9/16	210 8-9/32	86 3.3858	34 1.339	M22 7/8	UC316 UC316-49 UC316-50 UC316-51	P316	17.59 17.76 17.62 17.53
UCP317 317-52 317-53 317-55	85 3-1/4 3-5/16 3-7/16	112 4-13/32	420 16-17/32	320 12-19/32	110 4-11/32	33 1-5/16	45 1-25/32	40 1-9/16	220 8-21/32	96 3.7795	40 1.575	M27 1	UC317 UC317-52 UC317-53 UC317-55	P317	19.36 19.58 19.55 19.33
UCP318 318-55 318-56	90 3-7/16 3-1/2	118 4-41/64	430 16-15/16	330 13	110 4-11/32	33 1-5/16	45 1-25/32	45 1-25/32	235 9-1/4	96 3.7795	40 1.575	M27 1	UC318 UC318-55 UC318-56	P318	22.47 22.76 22.58
UCP319 319-58 319-59 319-60	95 3-5/8 3-11/16 3-3/4	125 4-59/64	470 18-1/2	360 14-3/16	120 4-23/32	36 1-13/32	50 1-31/32	45 1-25/32	250 9-27/32	103 4.0551	41 1.614	M30 1-1/8	UC319 UC319-58 UC319-59 UC319-60	P319	27.84 28.17 27.99 27.80
UCP320 320-64	100 4	140 5-33/64	490 19-9/32	380 14-31/32	120 4-23/32	36 1-13/32	50 1-31/32	50 1-31/32	275 10-53/64	108 4.252	42 1.6536	M30 1-1/8	UC320 UC320-64	P320	33.76 33.56
UCP322	110	150 5-29/32	520 20-15/32	400 15-3/4	140 5-33/64	40 1-9/16	55 2-5/32	55 2-5/32	300 11-13/16	117 4.6063	46 1.8110	M33	UC322	P322	45.25
UCP324	120	160 6-19/64	570 22-7/16	450 17-23/32	140 5-33/64	40 1-9/16	55 2-5/32	65 2-21/32	320 12-19/32	126 4.9606	51 2.0079	M33	UC324	P324	54.97
UCP326	130	180 7-3/32	600 23-5/8	480 18-29/32	140 5-33/64	40 1-9/16	55 2-5/32	75 2-61/64	355 13-31/32	135 5.3150	54 2.1260	M33	UC326	P326	71.48
UCP328	140	200 7-7/8	620 24-13/32	500 19-11/16	140 5-33/64	40 1-9/16	55 2-5/32	75 2-61/64	390 15-23/64	145 5.7087	59 2.3228	M33	UC328	P328	87.48

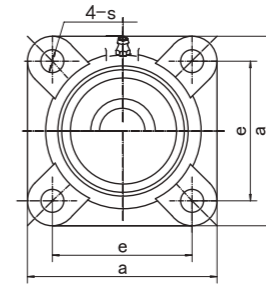
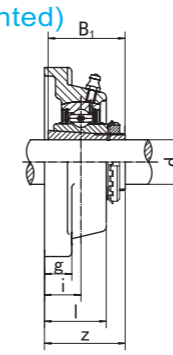
HCF2 (Normal-duty)



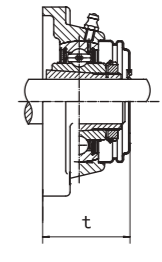
Flange Units (Square)

Unit NO.	Dimensions (mm / in.)										Bolt Size mm/in.	Bearing No.	Housing No.	Weight (kg)
	d	a	e	i	g	l	s	z	B ₁	n				
HCF204 204-12	20 3/4	86 3-3/8	64 2-33/64	15 19/32	12 15/32	25.5 1	12 15/32	41.6 1-41/64	43.7 1.720	17.1 0.673	M10 3/8	HC204 HC204-12	F204	0.60 0.60
HCF205 205-13 205-14 205-15 205-16	25 13/16 7/8 15/16 1	95 3-3/4	70 2-3/4	16 5/8	14 35/64	27 1-1/16	12 15/32	42.9 1-11/16	44.4 1.748	17.5 0.689	M10 3/8	HC205 HC205-13 HC205-14 HC205-15 HC205-16	F205	0.79 0.84 0.83 0.81 0.79
HCF206 206-17 206-18 206-19 206-20	30 1-1/16 1-1/8 1-3/16 1-1/4	108 4-1/4	83 3-17/64	18 45/64	14 35/64	31 1-7/32	12 15/32	48.1 1-57/64	48.4 1.906	18.3 0.720	M10 3/8	HC206 HC206-17 HC206-18 HC206-19 HC206-20	F206	1.10 1.15 1.12 1.10 1.07
HCF207 207-20 207-21 207-22 207-23	35 1-1/4 1-5/16 1-3/8 1-7/16	117 4-39/64	92 3-5/8	19 3/4	16 5/8	34 1-11/32	14 35/64	51.3 2-1/64	51.1 2.012	18.8 0.740	M12 7/16	HC207 HC207-20 HC207-21 HC207-22 HC207-23	F207	1.47 1.54 1.50 1.47 1.45
HCF208 208-24 208-25	40 1-1/2 1-9/16	130 5-1/8	102 4-1/64	21 53/64	16 5/8	36 1-27/32	16 5/8	55.9 2-13/64	56.3 2.217	21.4 0.843	M14 1/2	HC208 HC208-24 HC208-25	F208	1.80 1.85 1.81
HCF209 209-26 209-27 209-28	45 1-5/8 1-11/16 1-3/4	137 5-13/32	105 4-9/64	22 55/64	18 23/32	38 1-1/2	16 5/8	56.9 2-15/64	56.3 2.217	21.4 0.843	M14 1/2	HC209 HC209-26 HC209-27 HC209-28	F209	2.13 2.24 2.19 2.15
HCF210 210-29 210-30 210-31 210-32	50 1-13/16 1-7/8 1-15/16 2	143 5-5/8	111 4-3/8	22 55/64	18 23/32	40 1-9/16	16 5/8	60.1 2-3/8	62.7 2.469	24.6 0.969	M14 1/2	HC210 HC210-29 HC210-30 HC210-31 HC210-32	F210	2.51 2.66 2.60 2.54 2.48
HCF211 211-32 211-33 211-34 211-35	55 2 2-1/16 2-1/8 2-3/16	162 6-3/8	130 5-1/8	25 63/64	20 25/32	43 1-11/16	19 3/4	68.6 2-45/64	71.4 2.811	27.8 1.094	M16 5/8	HC211 HC211-32 HC211-33 HC211-34 HC211-35	F211	3.39 3.69 3.51 3.44 3.36
HCF212 212-36 212-37 212-38 212-39	60 2-1/4 2-5/16 2-3/8 2-7/16	175 6-57/64	143 5-5/8	29 1-9/64	20 25/32	48 1-57/64	19 3/4	75.8 2-63/64	77.8 3.063	31.0 1.22	M16 5/8	HC212 HC212-36 HC212-37 HC212-38 HC212-39	F212	4.27 4.28 4.34 4.27 4.26
HCF213 213-40 213-41	65 2-1/2 2-9/16	187 7-23/64	149 5-55/64	30 1-3/16	22 55/64	50 1-31/32	19 3/4	81.6 3-7/32	85.7 3.374	34.1 1.343	M16 5/8	HC213 HC213-40 HC213-41	F213	5.35 5.45 5.34
HCF214 214-42 214-43 214-44	70 2-5/8 2-11/16 2-3/4	193 7-19/32	152 5-63/64	31 1-7/32	22 55/64	54 2-1/8	19 3/4	82.6 3-1/4	85.7 3.374	34.1 1.343	M16 5/8	HC214 HC214-42 HC214-43 HC214-44	F214	5.84 5.78 5.97 5.85
HCF215 215-45 215-46 215-47 215-48	75 2-13/16 2-7/8 2-15/16 3	200 7-7/8	159 6-17/64	34 1-11/32	22 55/64	56 2-7/32	19 3/4	88.8 3-1/2	92.1 3.626	37.3 1.426	M16 5/8	HC215 HC215-45 HC215-46 HC215-47 HC215-48	F215	6.43 6.73 6.60 6.47 6.33
HCF216 216-49 216-50 216-51	80 3-1/16 3-1/8 3-3/16	208 8-3/16	165 6-1/2	34 1-11/32	22 55/64	58 2-9/32	23 29/32	91.9 3-5/8	95.2 3.748	37.3 1.469	M20 3/4	HC216 HC216-49 HC216-50 HC216-51	F216	7.59 7.79 7.65 7.50
HCF217 217-52 217-53 217-55	85 3-1/4 3-5/16 3-7/16	220 8-21/23	175 6-57/64	36 1-27/64	24 15/16	63 2-15/32	23 29/32	86.4 3-13/32	73.8 2.906	23.4 0.921	M20 3/4	HC217 HC217-52 HC217-53 HC217-55	F217	8.52 8.71 8.59 8.34
HCF218 218-56	90 3-1/2	235 9-1/4	187 7-23/64	40 1-37/64	24 15/16	68 2-11/16	23 29/32	88.1 3-15/32	72.6 3.7795	24.5 1.563	M20 3/4	HC218 HC218-56	F218	9.95 10.04

Flange Units (Square)
(with adapter mounted)



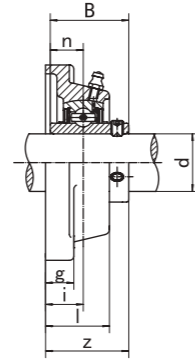
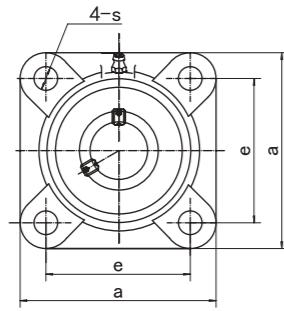
UKF2 (Normal-duty)



UKF-C₁(D₁)

Unit NO.	Dimensions (mm / in.)										Bolt Size mm/in.	Bearing No.	Housing No.	Weight (kg)
	d	a	e	i	g	l	s	z	t	B ₁				
UKF205;H2305 205;HE2305	20 3/4	95 3-3/4	70 2-3/4	16 5/8	14 35/64	27 1-1/16	12 15/32	35.5 1-25/64	40 1-9/16	35 1.378	M10 3/8	UK205;H2305 UK205;HE2305	F205	0.78
UKF206;H2306 206;HS2306 206;HE2306	25 7/8 1	108 4-1/4	83 3-17/64	18 45/64	14 35/64	31 1-7/32	12 15/32	39 1-17/32	44.5 1-3/4	38 1.496	M10 3/8	UK206;H2306 UK206;HS2306 UK206;HE2306	F206	1.09
UKF207;H2307 207;HS2307	30 1-1/8	117 4-39/64	92 3-5/8	19 3/4	16 5/8	34 1-11/32	14 35/64	42.5 1-43/64	48.5 1-29/32	43 1.693	M12 7/16	UK207;H2307 UK207;HS2307	F207	1.41
UKF208;H2308 208;HE2308 208;HS2308	35 1-1/4 1-3/8	130 5-1/8	102 4-1/64	21 53/64	16 5/8	36 1-27/64	16 5/8	46.5 1-53/64	55.5 2-3/16	46 1.811	M14 1/2	UK208;H2308 UK208;HE2308 UK208;HS2308	F208	1.74
UKF209;H2309 209;HA2309 209;HE2309 209;HS2309	40 1-7/16 1-1/2 1-5/8	137 5-13/32	105 4-9/64	22 55/64	18 23/32	38 1-1/2	16 5/8	48.5 1-29/32	56.5 2-7/32	50 1.969	M14 1/2	UK209;H2309 UK209;HA2309 UK209;HE2309 UK209;HS2309	F209	2.12
UKF210;H2310 210;HS2310 210;HA2310 210;HE2310	45 1-5/8 1-11/16 1-3/4	143 5-5/8	111 4-3/8	22 55/64	18 23/32	40 1-9/16	16 5/8	50 1-31/32	59.5 2-11/32	55 2.165	M14 1/2	UK210;H2310 UK210;HS2310 UK210;HA2310 UK210;HE2310	F210	2.49
UKF211;H2311 211;HS2311 211;HA2311 211;HE2311	50 1-7/8 1-15/16 2	162 6-3/8	130 5-1/8	25 63/64	20 25/32	43 1-11/16	19 3/4	54.5 2-9/64	63 2-31/64	59 2.323	M16 5/8	UK211;H2311 UK211;HS2311 UK211;HA2311 UK211;HE2311	F211	3.28
UKF212;H2312 212;HS2312	55 2-1/8	175 6-57/64	143 5-5/8	29 1-9/64	20 25/32	48 1-57/64	19 3/4	61 2-13/32	73.5 2-57/64	62 2.441	M16 5/8	UK212;H2312 UK212;HS2312	F212	4.03
UKF213;H2313 213;HA2313 213;HE2313 213;HS2313	60 2-3/16 2-1/4 2-3/8	187 7-23/64	149 5-55/64	30 1-3/16	22 55/64	50 1-31/32	19 3/4	64 2-33/64	74.5 2-15/16	65 2.559	M16 5/8	UK213;H2313 UK213;HA2313 UK213;HE2313 UK213;HS2313	F213	4.93
UKF215;H2315 215;HA2315 215;HE2315	65 2-7/16 2-1/2	200 7-7/8	159 6-17/64	34 1-11/32	22 55/64	56 2-7/32	19 3/4	71 2-51/64	83.5 3-9/32	73 2.874	M16 5/8	UK215;H2315 UK215;HA2315 UK215;HE2315	F215	6.33
UKF216;H2316 216;HA2316 216;HE2316	70 2-11/16 2-3/4	208 8-3/16	165 6-1/2	34 1-11/32	22 55/64	58 2-9/32	23 29/32	73.5 2-57/64	88.5 3-31/64	78 3.071	M20 3/4	UK216;H2316 UK216;HA2316 UK216;HE2316	F216	7.37
UKF217;H2317 217;HA2317 217;HE2317	75 2-15/16 3	220 8-21/32	175 6-57/64	36 1-27/64	24 15/16	63 2-15/32	23 29/32	77 3-1/32	92.6 3-41/64	82 3.228	M20 3/4	UK217;H2317 UK217;HA2317 UK217;HE2317	F217	9.09
UKF218;H2318 218;HA2318	80 3-3/16	235 9-1/4	187 7-23/64	40 1-37/64	24 15/16	68 2-11/16	23 29/32	81.5 3-13/64	101.5 4	86 3.386	M20 3/4	UK218;H2318 UK218;HA2318	F218	10.91

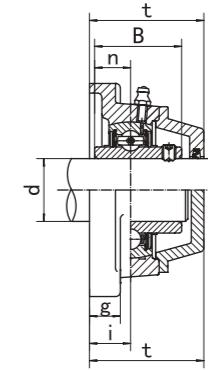
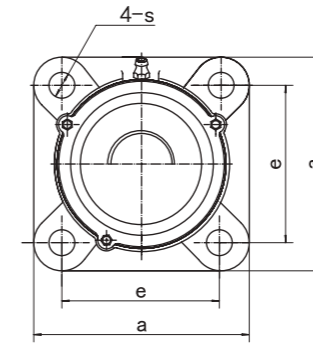
UCFS2 (Normal-duty)



Flange Units (Square)

Unit NO.	Dimensions (mm / in.)										Bolt Size mm/in.	Bearing No.	Housing No.	Weight (kg)
	d	a	e	i	g	l	s	z	B	n				
UCFS204 204-12	20 3/4	86 3-3/8	63.5 2-1/2	20.6 13/16	9.5 3/8	33 1-19/64	11 7/16	38.9 1-17/32	31 1.2205	12.7 0.500	M10 3/8	UC204 UC204-12	FS204	0.64 0.64
UCFS205 205-13 205-14 205-15 205-16	25 13/16 7/8 15/16 1	95 3-3/4	70 2-3/4	21 53/64	11 7/16	35 1-3/8	11.5 29/64	40.8 1-39/64	34.1 1.3425	14.3 0.563	M10 3/8	UC205 UC205-13 UC205-14 UC205-15 UC205-16	FS205	0.87 0.91 0.90 0.88 0.87
UCFS206 206-17 206-18 206-19 206-20	30 1-1/16 1-1/8 1-3/16 1-1/4	108 4-1/4	82.5 3-1/4	22.6 57/64	13 33/64	37 1-29/64	13 33/64	44.8 1-49/64	38.1 1.5000	15.9 0.626	M12 7/16	UC206 UC206-17 UC206-18 UC206-19 UC206-20	FS206	1.27 1.28 1.29 1.27 1.26
UCFS207 207-20 207-21 207-22 207-23	35 1-1/4 1-5/16 1-3/8 1-7/16	117 4-39/64	92 3-5/8	22 55/64	13 33/64	38 1-1/2	13 33/64	47.4 1-55/64	42.9 1.6890	17.5 0.689	M12 7/16	UC207 UC207-20 UC207-21 UC207-22 UC207-23	FS207	1.54 1.60 1.57 1.54 1.51
UCFS208 208-24 208-25	40 1-1/2 1-9/16	130 5-1/8	101.5 4	24.5 31/32	16 5/8	41 1-39/64	14 35/64	54.7 2-5/32	49.2 1.9370	19 0.748	M12 7/16	UC208 UC208-24 UC208-25	FS208	2.16 2.20 2.17
UCFS209 209-26 209-27 209-28	45 1-5/8 1-11/16 1-3/4	137 5-25/64	105 4-9/64	24.5 31/32	16 5/8	42 1-21/32	16 5/8	54.7 2-5/32	49.2 1.9370	19 0.748	M14 9/16	UC209 UC209-26 UC209-27 UC209-28	FS209	2.36 2.46 2.42 2.38
UCFS210 210-29 210-30 210-31 210-32	50 1-13/16 1-7/8 1-15/16 2	143 5-5/8	111 4-3/8	27.8 1-3/32	16 5/8	46 1-13/16	16 5/8	60.4 2-3/8	51.6 2.0315	19 0.748	M14 9/16	UC210 UC210-29 UC210-30 UC210-31 UC210-32	FS210	2.65 2.77 2.72 2.67 2.63
UCFS211 211-32 211-33 211-34 211-35	55 2 2-1/16 2-1/8 2-3/16	162 6-3/8	130 5-1/8	31 1-7/32	17.5 11/16	50 1-31/32	17 43/64	64.4 2-17/32	55.6 2.1890	22.2 0.874	M14 9/16	UC211 UC211-32 UC211-33 UC211-34 UC211-35	FS211	3.77 3.92 3.86 3.82 3.75
UCFS212 212-36 212-37 212-38 212-39	60 2-1/4 2-5/16 2-3/8 2-7/16	175 6-57/64	143 5-5/8	34 1-11/32	17.5 11/16	55 2-11/64	17 43/64	73.7 2-29/32	65.1 2.5630	25.4 1.000	M14 9/16	UC212 UC212-36 UC212-37 UC212-38 UC212-39	FS212	4.84 4.97 4.89 4.82 4.75
UCFS213 213-40 213-41	65 2-1/2 2-9/16	184 7-1/4	149 5-55/64	38 1-1/2	22 55/64	58 2-9/32	18 45/64	77.7 3-1/16	65.1 2.5630	25.4 1.000	M16 5/8	UC213 UC213-40 UC213-41	FS213	5.84 5.93 5.84
UCFS214 214-42 214-43 214-44	70 2-5/8 2-11/16 2-3/4	188 7-13/32	152 5-63/64	38 1-1/2	23 29/32	60 2-23/64	18 45/64	82.4 3-1/4	74.6 2.9370	30.2 1.189	M16 5/8	UC214 UC214-42 UC214-43 UC214-44	FS214	6.38 6.59 6.49 6.39
UCFS215 215-45 215-46 215-47 215-48	75 2-13/16 2-7/8 2-15/16 3	200 7-7/8	152.4 6	41 1-39/64	24 15/16	62 2-7/16	20 25/32	85.5 3-23/64	77.8 3.0630	33.3 1.311	M18 23/32	UC215 UC215-45 UC215-46 UC215-47 UC215-48	FS215	7.42 7.42 7.67 7.56 7.36

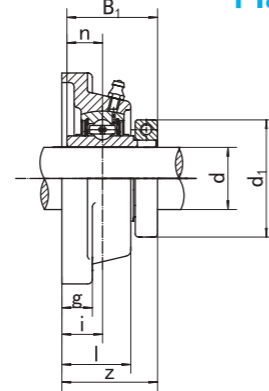
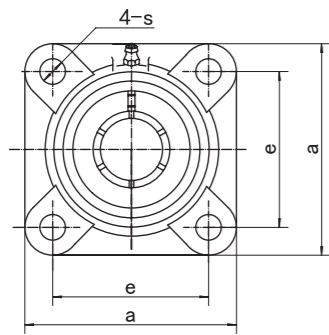
Flange Units (Square)



UCCF2 (Normal-duty)

Unit NO.	Dimensions (mm / in.)										Bolt Size mm/in.	Bearing No.	Housing No.	Weight (kg)
	d	a	e	i	g	s	t	B	n					
UCCF204 204-12	20 3/4	86 3-3/8	64 2-33/64	15 19/32	12.0 15/32	12 15/32	46 1-13/16	31 1.2205	12.7 0.500	M10 3/8	UC204 UC204-12	CF204	0.76 0.76	
UCCF205 205-13 205-14 205-15 205-16	25 13/16 7/8 15/16 1	95 3-3/4	70 2-3/4	16 5/8	14 35/64	12 15/32	51 2-1/64	34.1 1.3425	14.3 0.563	M10 3/8	UC205 UC205-13 UC205-14 UC205-15 UC205-16	CF205	1.12 1.16 1.15 1.13 1.12	
UCCF206 206-17 206-18 206-19 206-20	30 1-1/16 1-1/8 1-3/16 1-1/4	108 4-1/4	83 3-17/64	18 45/64	14 35/64	12 15/32	55 2-11/64	38.1 1.5000	15.9 0.626	M10 3/8	UC206 UC206-17 UC206-18 UC206-19 UC206-20	CF206	1.42 1.43 1.44 1.42 1.41	
UCCF207 207-20 207-21 207-22 207-23	35 1-1/4 1-5/16 1-3/8 1-7/16	117 4-39/64	92 3-5/8	19 3/4	16 5/8	14 35/64	59 2-21/64	42.9 1.6890	17.5 0.689	M12 7/16	UC207 UC207-20 UC207-21 UC207-22 UC207-23	CF207	1.83 1.89 1.86 1.83 1.80	
UCCF208 208-24 208-25	40 1-1/2 1-9/16	130 5-1/8	102 4-1/64	21 53/64	16 5/8	16 5/8	66 2-21/64	49.2 1.9370	19 0.748	M14 1/2	UC208 UC208-24 UC208-25	CF208	2.51 2.55 2.52	
UCCF209 209-26 209-27 209-28	45 1-5/8 1-11/16 1-3/4	137 5-13/32	105 4-9/64	22 55/64	18 23/32	16 5/8	67 2-41/64	49.2 1.9370	19 0.748	M14 1/2	UC209 UC209-26 UC209-27 UC209-28	CF209	2.90 3.00 2.96 2.92	
UCCF210 210-29 210-30 210-31 210-32	50 1-13/16 1-7/8 1-15/16 2	143 5-5/8	111 4-3/8	22 55/64	18 23/32	16 5/8	71 2-51/64	51.6 2.0315	19 0.748	M14 1/2	UC210 UC210-29 UC210-30 UC210-31 UC210-32	CF210	3.16 3.28 3.23 3.18 3.14	
UCCF211 211-32 211-33 211-34 211-35	55 2 2-1/16 2-1/8 2-3/16	162 6-3/8	130 5-1/8	25 63/64	20 25/32	19 3/4	75 2-61/64	55.6 2.1890	22.2 0.874	M16 5/8	UC211 UC211-32 UC211-33 UC211-34 UC211-35	CF211	4.47 4.62 4.56 4.51 4.45	
UCCF212 212-36 212-37 212-38 212-39	60 2-1/4 2-5/16 2-3/8 2-7/16	175 6-57/64	143 5-5/8	29 1-9/64	20 25/32	19 3/4	86 3-25/64	65.1 2.5630	25.4 1.000	M16 5/8	UC212 UC212-36 UC212-37 UC212-38 UC212-39	CF212	5.77 5.90 5.82 5.75 5.68	
UCCF213 213-40 213-41	65 2-1/2 2-9/16	187 7-23/64	149 5-55/64	30 1-3/16	22 55/64	19 3/4	89 3-1/2	65.1 2.5630	25.4 1.000	M16 5/8	UC213 UC213-40 UC213-41	CF213	7.08 7.17 7.08	
UCCF214 214-42 214-43 214-44	70 2-5/8 2-11/16 2-3/4	193 7-19/32	152 5-63/64	31 1-7/32	22 55/64	19 3/4	98 3-55/64	74.6 2.9370	30.2 1.189	M16 5/8	UC214 UC214-42 UC214-43 UC214-44	CF214	7.80 8.01 7.91 7.81	
UCCF215 215-45 215-46 215-47 215-48	75 2-13/16 2-7/8 2-15/16 3	200 7-7/8	159 6-17/64	34 1-11/32	22 55/64	19 3/4	102 4-1/64	77.8 3.0630	33.3 1.311	M16 5/8	UC215 UC215-45 UC215-46 UC215-47 UC215-48	CF215	8.81 9.06 8.95 8.84 8.72	
UCCF216 216-49 216-50 216-51	80 3-1/16 3-1/8 3-3/16	208 8-3/16	165 6-1/2	34 1-11/32	22 55/64	23 29/32	107 4-7/32	82.6 3.2520	33.3 1.311	M20 3/4	UC216 UC216-49 UC216-50 UC216-51	CF216	10.20 10.38 10.25 10.12	
UCCF217 217-52 217-53 217-55	85 3-1/4 3-5/16 3-7/16	220 8-21/23	175 6-57/64	36 1-27/64	24 15/16	23 29/32	111 4-3/8	85.7 3.3740	34.1 1.343	M20 3/4	UC217 UC217-52 UC217-53 UC217-55	CF217	12.46 12.68 12.54 12.25	
UCCF218 218-56	90 3-1/2	235 9-1/4	187 7-23/64	40 1-37/64	24 15/16	23 29/32	122 4-51/64	96.0 3.7795	39.7 1.5630	M20 3/4	UC218 UC218-56	CF218	14.86 14.97	

NCF2 (Normal-duty)

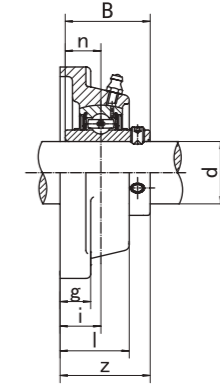
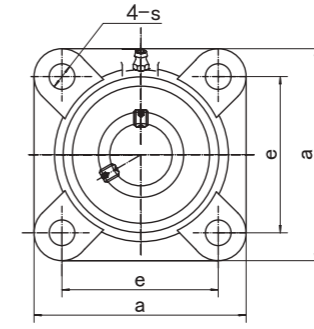


Flange Units (Square)

Unit NO.	Dimensions (mm / in.)											Bolt Size mm/in	Bearing No.	Housing No.	Weight (kg)
	d	d ₁	a	e	i	g	l	s	z	B ₁	n				
NCF204	20	44.5	86	64	15	12	25.5	12	34.8	33.4	12.7	M10	NC204	F204	0.69
204-12	3/4	1-3/4	3-3/8	2-32/64	19/32	15/32	1	15/32	1-3/8	1.315	0.500	3/8	NC204-12		
NCF205	25	49.2	95	70	16	14	27	12	38.2	36.5	14.3	M10	NC205	F205	0.94
205-14	7/8												NC205-14		
205-15	15/16	1-15/16	3-3/4	2-3/4	5/8	35/64	1-1/16	15/32	1-1/2	1.437	0.563	3/8	NC205-15		
205-16	1												NC205-16		
NCF206	30	55.6	108	83	18	14	31	12	41.8	39.7	15.9	M10	NC206	F206	1.22
206-18	1-1/8												NC206-18		
206-19	1-3/16	2-3/16	4-1/4	3-17/64	45/64	35/64	1-7/32	15/32	1-21/32	1.563	0.626	3/8	NC206-19		
206-20	1-1/4												NC206-20		
NCF207	35	65.1	117	92	19	16	34	14	46.0	44.5	17.5	M12	NC207	F207	1.69
207-20	1-1/4	2-7/16	4-39/64	3-5/8	3/4	5/8	1-11/32	35/64	1-13/16	1.752	0.740	7/16	NC207-20		
207-22	1-3/8	2-9/16													
207-23	1-7/16												NC207-23		
NCF208	40	68.3	130	102	21	16	36	16	52.8	50.8	19.0	M14	NC208	F208	2.07
208-24	1-1/2	2-11/16	5-1/8	4-1/64	53/64	5/8	1-13/32	5/8	2-3/32	2	0.748	1/2	NC208-24		
NCF209	45	74.6	137	105	22	18	38	16	53.8	50.8	19.0	M14	NC209	F209	2.45
209-26	1-5/8	2-13/16	7-15/32	5-53/64	55/64	23/32	1-1/2	5/8	2-1/8	2	0.748	1/2	NC209-26		
209-27	1-11/16	2-15/16													
209-28	1-3/4												NC209-28		
NCF210	50	85.7	143	111	22	18	40	16	56.1	53.1	19.0	M16	NC210	F210	3.00
210-31	1-15/16	3-3/8	5-5/8	4-3/8	55/64	23/32	1-37/64	5/8	2-7/32	2.091	0.748	5/8	NC210-31		
210-32	2													NC210-32	
NCF211	55	92.1	162	130	25	20	43	19	59.9	57.1	22.2	M16	NC211	F211	3.63
210-32	2	3-1/2	6-3/8	5-1/8	63/64	25/32	1-11/16	3/4	2-11/32	2.248	0.874	5/8	NC211-32		
211-35	2-3/16	3-5/8													
NCF212	60	104.8	175	143	29	20	48	19	70.3	66.7	25.4	M16	NC212	F212	4.76
212-36	2-1/4	4-1/16	6-7/8	5-5/8	1-9/64	25/32	1-7/8	3/4	2-25/32	2.626	1.000	5/8	NC212-36		
212-39	2-7/16	4-1/8													

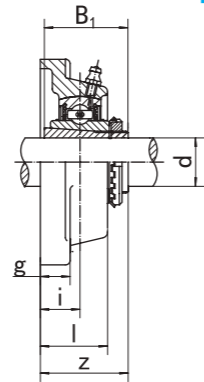
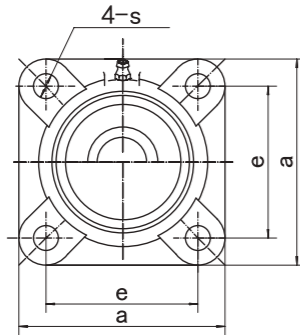
UCFX (Medium-duty)

Flange Units (Square)



Unit NO.	Dimensions (mm / in.)										Bolt Size mm/in.	Bearing No.	Housing No.	Weight (kg)	
	d	a	e	i	g	l	s	z	B	n					
UCFX05	25	108	83	18	13	30	12	40.2	38.1	15.9	M10	UCX05	FX05	1.10	
X05-13	13/16	4-1/4	3-17/64	45/64	1/2	1-3/16	15/32	1-19/32	1.5000	0.626	3/8	UCX05-13			
X05-14	7/8														UCX05-14
X05-15	15/16														UCX05-15
X05-16	1														UCX05-16
UCFX06	30	117	92	19	14	34	16	44.4	42.9	17.5	M14	UCX06	FX06	1.40	
X06-17	1-1/16	4-39/64	3-5/8	3/4	9/16	1-11/32	5/8	1-3/4	1.6890	0.689	1/2	UCX06-17			
X06-18	1-1/8														UCX06-18
X06-19	1-3/16														UCX06-19
X06-20	1-1/4														UCX06-20
UCFX07	35	130	102	21	14	38	16	51.2	49.2	19	M14	UCX07	FX07	1.80	
X07-21	1-5/16	5-1/8	4-1/64	53/64	9/16	1-1/2	5/8	2-1/64	1.9370	0.748	1/2	UCX07-21			
X07-22	1-3/8														UCX07-22
X07-23	1-7/16														UCX07-23
UCFX08	40	137	105	22	14	40	19	52.2	49.2	19	M16	UCX08	FX08	2.10	
X08-24	1-1/2	5-13/32	4-9/64	55/64	9/16	1-9/16	3/4	2-1/64	1.9370	0.748	5/8	UCX08-24			
X08-25	1-9/16														UCX08-25
UCFX09	45	143	111	23	14	40	19	55.6	51.6	19	M16	UCX09	FX09	2.30	
X09-26	1-5/8	5-5/8	4-3/8	29/32	9/16	1-9/16	3/4	2-3/16	2.0315	0.748	5/8	UCX09-26			
X09-27	1-11/16														UCX09-27
X09-28	1-3/4														UCX09-28
X09-29	1-13/16														UCX09-29
UCFX10	50	162	130	26	20	44	19	59.4	55.6	22.2	M16	UCX10	FX10	3.30	
X10-30	1-7/8	6-3/8	5-1/8	1-1/32	25/32	1-23/32	3/4	2-11/32	2.1890	0.874	5/8	UCX10-30			
X10-31	1-15/16														UCX10-31
X10-32	2														UCX10-32
UCFX11	55	175	143	29	20	49	19	68.7	65.1	25.4	M16	UCX11	FX11	4.10	
X11-33	2-1/16	6-57/64	5-5/8	1-9/64	25/32	1-15/16	3/4	2-45/64	2.5630	1.000	5/8	UCX11-33			
X11-34	2-1/8														UCX11-34
X11-35	2-3/16														UCX11-35
X11-36	2-1/4														UCX11-36
X11-37	2-5/16														UCX11-37
UCFX12	60	187	149	34	21	59	19	73.7	65.1	25.4	M16	UCX12	FX12	5.30	
X12-38	2-3/8	7-23/64	5-55/64	1-11/32	13/16	2-5/16	3/4	2-29/32	2.5630	1.000	5/8	UCX12-38			
X12-39	2-7/16												UCX12-39		
UCFX13	65	187	149	34	21	59	19	78.4	74.6	30.2	M16	UCX13	FX13	5.40	
X13-40	2-1/2	7-23/64	5-55/64	1-11/32	13/16	2-5/16	3/4	3-3/32	2.9370	1.189	5/8	UCX13-40			
X13-41	2-9/16														UCX13-41
UCFX14	70	197	152	37	24	60	23	81.5	77.8	33.3	M20	UCX14	FX14	6.30	
X14-42	2-5/8	7-3/4	5-63/64	1-29/64	15/16	2-3/8	29/32	3-13/64	3.0630	1.311	3/4	UCX14-42			
X14-43	2-11/16														UCX14-43
X14-44	2-3/4												UCX14-44		
UCFX15	75	197	152	40	24	68	23	89.3	82.6	33.3	M20	UCX15	FX15	7.60	
X15-45	2-13/16	7-3/4	5-63/64	1-37/64	15/16	2-11/16	29/32	3-33/64	3.2520	1.311	3/4	UCX15-45			
X15-46	2-7/8														UCX15-46
X15-47	2-15/16														UCX15-47
X15-48	3														UCX15-48
UCFX16	80	214	171	40	24	70	23	91.6	85.7	34.1	M20	UCX16	FX16	9.40	
X16-49	3-1/16	8-7/16	6-47/64	1-37/64	15/16	2-3/4	29/32	3-39/64	3.3740	1.343	3/4	UCX16-49			
X16-50	3-1/8														UCX16-50
X16-51	3-3/16														UCX16-51
X16-52	3-1/4														UCX16-52
UCFX17	85	214	171	40	24	70	23	96.3	96	39.7	M20	UCX17	FX17	10.40	
X17-53	3-5/16	8-7/16	6-47/64	1-37/64	15/16	2-3/4	29/32	3-25/32	3.7795	1.563	3/4	UCX17-53			
X17-55	3-7/16												UCX17-55		
UCFX18	90	214	171	45	24	76	23	106.1	104	42.9	M20	UCX18	FX18	11.70	
X18-56	3-1/2	8-7/16	6-47/64	1-49/64	15/16	3	29/32	4-3/16	4.0945	1.689	3/4	UCX18-56			
UCFX20	100	268	211	59	31	97	31	127.3	117.5	49.2	M27	UCX20	FX20	20.20	
X20-64	4	10-9/16	8-5/16	2-21/64	1-7/32	3-13/16	1-7/32	5-1/64	4.6260	1.689	1	UCX20-64			

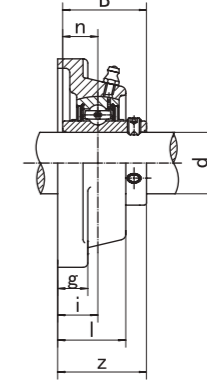
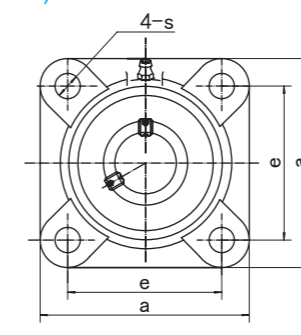
UKFX (Medium-duty)



Flange Units (Square)
(with adapter mounted)

Unit No.	Dimensions (mm / in.)										Bolt Size mm/in.	Bearing No.	Housing No.	Weight (kg)
	d	a	e	i	g	l	s	z	B1					
UKFX05;H2305 X05;HE2305	20 3/4	108 4-1/4	83 3-17/64	18 45/64	13 1/2	30 1-3/16	12 15/32	39 1-17/32	35 1.378	M10 3/8	UKX05;H2305 UKX05;HE2305	FX05	1.10	
UKFX06;H2306 X06;HS2306 X06;HE2306	25 7/8 1	117 4-39/64	92 3-5/8	19 3/4	14 9/16	34 1-11/32	16 5/8	42 1-41/64	38 1.496	M14 1/2	UKX06;H2306 UKX06;HS2306 UKX06;HE2306	FX06	1.40	
UKFX07;H2307 X07;HS2307	30 1-1/8	130 5-1/8	102 4-1/64	21 53/64	14 9/16	38 1-1/2	16 5/8	46 1-51/64	43 1.693	M14 1/2	UKX07;H2307 UKX07;HS2307	FX07	1.80	
UKFX08;H2308 X08;HE2308 X08;HS2308	35 1-1/4 1-3/8	137 5-13/32	105 4-9/64	22 55/64	14 9/16	40 1-9/16	19 3/4	48 1-7/8	46 1.811	M16 5/8	UKX08;H2308 UKX08;HE2308 UKX08;HS2308	FX08	2.10	
UKFX09;H2309 X09;HA2309 X09;HE2309 X09;HS2309	40 1-7/16 1-1/2 1-5/8	143 5-5/8	111 4-3/8	23 29/32	14 9/16	40 1-9/16	19 3/4	50 1-31/32	50 1.969	M16 5/8	UKX09;H2309 UKX09;HA2309 UKX09;HE2309 UKX09;HS2309	FX09	2.40	
UKFX10;H2310 X10;HS2310 X10;HA2310 X10;HE2309	45 1-5/8 1-11/16 1-3/4	162 6-3/8	130 5-1/8	26 1-1/32	20 25/32	44 1-23/32	19 3/4	56 2-3/16	55 2.165	M16 5/8	UKX10;H2310 UKX10;HS2310 UKX10;HA2310 UKX10;HE2309	FX10	3.40	
UKFX11;H2311 X11;HS2311 X11;HA2311 X11;HE2311	50 1-7/8 1-15/16 2	175 6-57/64	143 5-5/8	29 1-9/64	20 25/32	49 1-15/16	19 3/4	60 2-23/64	59 2.323	M16 5/8	UKX11;H2311 UKX11;HS2311 UKX11;HA2311 UKX11;HE2311	FX11	4.20	
UKFX12;H2312 X12;HS2312	55 2-1/8	187 7-23/64	149 5-55/64	34 1-11/32	21 13/16	59 2-5/16	19 3/4	67 2-41/64	62 2.441	M16 5/8	UKX12;H2312 UKX12;HS2312	FX12	5.10	
UKFX13;H2313 X13;HA2313 X13;HE2313 X13;HS2313	60 2-3/16 2-1/4 2-3/8	187 7-23/64	149 5-55/64	34 1-11/32	21 13/16	59 2-5/16	19 3/4	68 2-11/16	65 2.559	M16 5/8	UKX13;H2313 UKX13;HA2313 UKX13;HE2313 UKX13;HS2313	FX13	5.50	
UKFX15;H2315 X15;HA2315 X15;HS2315	65 2-7/16 2-1/2	197 7-3/4	152 5-63/64	40 1-37/64	24 15/16	68 2-11/16	23 29/32	78 2-3/64	73 2.874	M20 3/4	UKX15;H2315 UKX15;HA2315 UKX15;HS2315	FX15	7.60	
UKFX16;H2316 X16;HA2316 X16;HS2316	70 2-11/16 2-3/4	214 8-7/16	171 6-47/64	40 1-37/64	24 15/16	70 2-3/4	23 29/32	80 3-5/32	78 3.071	M20 3/4	UKX16;H2316 UKX16;HA2316 UKX16;HS2316	FX16	9.30	
UKFX17;H2317 X17;HA2317 X17;HE2317	75 2-15/16 3	214 8-7/16	171 6-47/64	40 1-37/64	24 15/16	70 2-3/4	23 29/32	82 3-13/64	82 3.228	M20 3/4	UKX17;H2317 UKX17;HA2317 UKX17;HE2317	FX17	10.10	
UKFX18;H2318 X18;HA2318	80 3-3/16	214 8-7/16	171 6-47/64	45 1-49/64	24 15/16	76 3	23 29/32	88 3-15/32	86 3.386	M20 3/4	UKX18;H2318 UKX18;HA2318	FX18	11.50	
UKFX20;H2320 X20;HA2320	90 3-1/2	268 10-9/16	211 8-5/16	59 2-21/64	31 1-7/32	97 3-13/16	31 1-7/32	106 4-3/64	97 3.819	M27 1	UKX20;H2320 UKX20;HA2320	FX20	19.10	

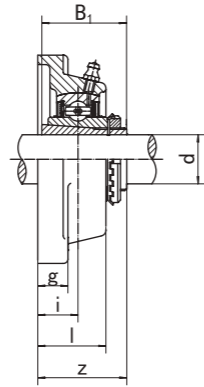
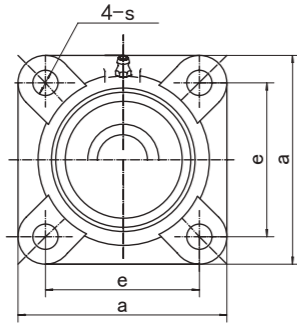
Flange Units (Square)



UCF3 (Heavy-duty)

Unit NO.	Dimensions (mm / in.)										Bolt Size mm/in.	Bearing No.	Housing No.	Weight (kg)
	d	a	e	i	g	l	s	z	B	n				
UCF305 305-13 305-14 305-15 305-16	25 13/16 7/8 15/16 1	110 4-11/32	80 3-5/32	16 5/8	13 1/2	29 1-5/32	16 5/8	39 1-17/32	38 1.4961	15 0.591	M14 1/2	UC305 UC305-13 UC305-14 UC305-15 UC305-16	F305	1.10
UCF306 306-17 306-18 306-19	30 1-1/16 1-1/8 1-3/16	125 4-29/32	95 3-47/64	18 45/64	15 19/32	32 1-1/4	16 5/8	44 1-47/64	43 1.6929	17 0.669	M14 1/2	UC306 UC306-17 UC306-18 UC306-19	F306	1.50
UCF307 307-20 307-21 307-22 307-23	35 1-1/4 1-5/16 1-3/8 1-7/16	135 5-5/16	100 3-15/16	20 25/32	16 5/8	36 1-13/32	19 3/4	49 1-59/64	48 1.8898	19 0.748	M16 5/8	UC307 UC307-20 UC307-21 UC307-22 UC307-23	F307	2.00
UCF308 308-24 308-25	40 1-1/2 1-9/16	150 5-29/32	112 4-13/32	23 29/32	17 21/32	40 1-9/16	19 3/4	56 2-13/64	52 2.0472	19 0.748	M16 5/8	UC308 UC308-24 UC308-25	F308	2.60
UCF309 309-26 309-27 309-28	45 1-5/8 1-11/16 1-3/4	160 6-5/16	125 4-59/64	25 63/64	18 23/32	44 1-23/32	19 3/4	60 2-23/64	57 2.2441	22 0.866	M16 5/8	UC309 UC309-26 UC309-27 UC309-28	F309	3.40
UCF310 310-29 310-30 310-31	50 1-13/16 1-7/8 1-15/16	175 6-7/8	132 5-13/64	28 1-7/64	19 3/4	48 1-7/8	23 29/32	67 2-41/64	61 2.4016	22 0.866	M20 3/4	UC310 UC310-29 UC310-30 UC310-31	F310	4.50
UCF311 311-32 311-33 311-34 311-35	55 2 2-1/16 2-1/8 2-3/16	185 7-9/32	140 5-33/64	30 1-3/16	20 25/32	52 2-1/16	23 29/32	71 2-51/64	66 2.5984	25.0 0.948	M20 3/4	UC311 UC311-32 UC311-33 UC311-34 UC311-35	F311	5.50
UCF312 312-36 312-37 312-38 312-39	60 2-1/4 2-5/16 2-3/8 2-7/16	195 7-11/16	150 5-29/32	33 1-19/64	22 7/8	56 2-7/32	23 29/32	78 3-5/64	71 2.7953	26.0 1.024	M20 3/4	UC312 UC312-36 UC312-37 UC312-38 UC312-39	F312	6.50
UCF313 313-40 313-41	65 2-1/2 2-9/16	208 8-3/16	166 6-17/32	33 1-19/64	22 55/64	58 2-9/32	23 29/32	78 3-5/64	75 2.9528	30 1.818	M20 3/4	UC313 UC313-40 UC313-41	F313	7.90
UCF314 314-42 314-43 314-44	70 2-5/8 2-11/16 2-3/4	226 8-29/32	178 6-1/64	36 1-27/64	25 31/32	61 2-13/32	25 63/64	81 3-3/16	78 3.0708	33 1.299	M22 7/8	UC314 UC314-42 UC314-43 UC314-44	F314	9.60
UCF315 315-45 315-46 315-47 315-48	75 2-13/16 2-7/8 2-15/16 3	236 9-9/32	184 7-1/4	39 1-17/32	25 31/32	66 2-19/32	25 63/64	89 3-1/2	82 3.2283	32.0 1.260	M22 7/8	UC315 UC315-45 UC315-46 UC315-47 UC315-48	F315	11.00
UCF316 316-49 316-50 316-51	80 3-1/16 3-1/8 3-3/16	250 9-27/32	196 7-23/32	38 1-1/2	27 1-1/16	68 2-11/16	31 1-7/32	90 3-35/64	86 3.3858	34 1.339	M27 1	UC316 UC316-49 UC316-50 UC316-51	F316	13.30
UCF317 317-52 317-53 317-54	85 3-1/4 3-5/16 3-7/16	260 10-1/4	204 8-1/32	44 1-47/64	27 1-1/16	74 2-29/32	31 1-7/32	100 3-15/16	96 3.7795	40 1.575	M27 1	UC317 UC317-52 UC317-53 UC317-54	F317	15.30
UCF318 318-55 318-56	90 3-7/16 3-1/2	280 11-1/32	216 8-1/2	44 1-47/64	30 1-3/16	76 3	35 1-3/8	100 3-15/16	96 3.7795	40 1.575	M30 1-1/8	UC318 UC318-55 UC318-56	F318	18.60
UCF319 319-58 319-59 319-60	95 3-5/8 3-11/16 3-3/4	290 11-13/32	228 8-31/32	59 2-21/64	30 1-3/16	94 3-11/16	35 1-3/8	121 4-49/64	103 4.0551	41 1.614	M30 1-1/8	UC319 UC319-58 UC319-59 UC319-60	F319	22.80
UCF320 320-64	100 4	310 12-7/32	242 9-17/32	59 2-21/64	32 1-1/4	94 3-11/16	38 1-1/2	125 4-29/32	108 4.252	42 1.654	M33 1-1/4	UC320 UC320-64	F320	26.10
UCF322	110	340 13-3/8	266 10-15/32	60 2-23/64	35 1-3/8	96 3-25/32	41 1-39/64	131 5-5/32	117 4.6063	46 1.8110	M36	UC322	F322	34.90
UCF324	120	370 14-9/16	290 11-27/64	65 2-9/16	40 1-9/16	110 4-11/32	41 1-39/64	140 5-1/2	126 4.9606	51 2.0079	M36	UC324	F324	46.80
UCF326	130	410 16-5/32	320 12-19/32	65 2-9/16	45 1-25/32	115 4-17/32	41 1-39/64	146 5-3/4	135 5.3150	54 2.1260	M36	UC326	F326	62.60
UCF328	140	450 17-23/32	350 13-25/32	75 2-61/64	55 2-5/32	125 4-29/32	41 1-39/64	161 6-11/32	145 5.7086	59 2.3228	M36	UC328	F328	85.50

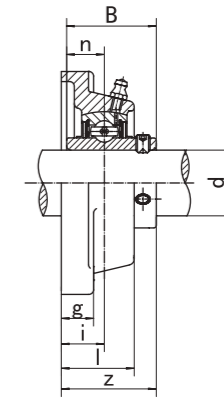
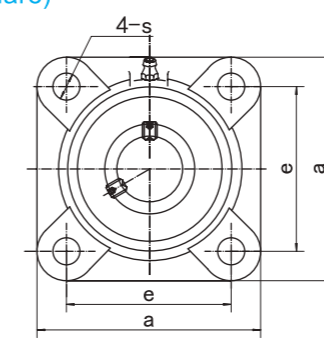
UKF3 (Heavy-duty)



Flange Units (Square)
(with adapter mounted)

Unit NO.	Dimensions (mm / in.)									Bolt Size mm/in.	Bearing No.	Housing No.	Weight (kg)
	d	a	e	i	g	l	s	z	B ₁				
UKF305;H2305 305;HE2305	20 3/4	110 4-11/32	80 3-5/32	16 5/8	13 1/2	29 1-5/32	16 5/8	37.0 1-29/64	35.0 1.378	M14 1/2	UK305;H2305 UK305;HE2305	F305	1.10
UKF306;H2306 306;HS2306 306;HE2306	25 7/8 1	125 4-29/32	95 3-47/64	18 45/64	15 19/32	32 1-1/4	16 5/8	40.5 2-19/32	38.0 1.496	M14 1/2	UK306;H2306 UK306;HS2306 UK306;HE2306	F306	1.60
UKF307;H2307 307;HS2307	30 1-1/8	135 5-5/16	100 3-15/16	20 25/32	16 5/8	36 1-13/32	19 3/4	44.5 2-3/4	43.0 1.693	M16 5/8	UK307;H2307 UK307;HS2307	F307	2.00
UKF308;H2308 308;HE2308 308;HS2308	35 1-1/4 1-3/8	150 5-29/32	112 4-13/32	23 29/32	17 21/32	40 1-9/16	19 3/4	50.0 2-31/32	46.0 1.811	M16 5/8	UK308;H2308 UK308;HE2308 UK308;HS2308	F308	2.70
UKF309;H2309 309;HA2309 309;HE2309 309;HS2309	40 1-7/16 1-1/2 1-5/8	160 6-6/16	125 4-59/64	25 63/64	18 23/32	44 1-23/32	19 3/4	54.5 2-9/64	50.0 1.969	M16 5/8	UK309;H2309 UK309;HA2309 UK309;HE2309 UK309;HS2309	F309	3.40
UKF310;H2310 310;HS2310 310;HA2310 310;HE2309	45 1-5/8 1-11/16 1-3/4	175 6-7/8	132 5-13/64	28 1-7/64	19 3/4	48 1-7/8	23 29/32	60.0 2-23/64	55.0 2.165	M20 3/4	UK310;H2310 UK310;HS2310 UK310;HA2310 UK310;HE2309	F310	4.60
UKF311;H2311 311;HS2311 311;HA2311 311;HE2311	50 1-7/8 1-15/16 2	185 7-9/32	140 5-33/64	30 1-3/16	20 25/32	52 2-1/16	23 29/32	63.5 2-1/2	59.0 2.323	M20 3/4	UK311;H2311 UK311;HS2311 UK311;HA2311 UK311;HE2311	F311	5.50
UKF312;H2312 312;HS2312	55 2-1/8	195 7-11/16	150 5-29/32	33 1-19/64	22 7/8	56 2-7/32	23 29/32	69.0 2-23/32	62.0 2.441	M20 5/8	UK312;H2312 UK312;HS2312	F312	6.80
UKF313;H2313 313;HA2313 313;HE2313 313;HS2313	60 2-3/16 2-1/4 2-3/8	208 8-3/16	166 6-17/32	33 1-19/64	22 7/8	58 2-9/32	23 29/32	71.0 2-51/64	65.0 2.559	M20 3/4	UK313;H2313 UK313;HA2313 UK313;HE2313 UK313;HS2313	F313	7.80
UKF315;H2315 315;HA2315 315;HE2315	65 2-7/16 2-1/2	236 9-9/32	184 7-1/4	39 1-17/32	25 63/64	66 2-19/32	25 63/64	81.0 3-3/16	73.0 2.874	M22 7/8	UK315;H2315 UK315;HA2315 UK315;HE2315	F315	11.20
UKF316;H2316 316;HA2316 316;HE2316	70 2-11/16 2-3/4	250 9-27/32	196 7-23/32	38 1-1/2	27 1-1/16	68 2-11/16	31 1-7/32	83.5 3-9/32	78.0 3.071	M27 1	UK316;H2316 UK316;HA2316 UK316;HE2316	F316	13.50
UKF317;H2317 317;HA2317 317;HE2317	75 2-15/16 3	260 10-1/4	204 8-1/32	44 1-47/64	27 1-1/16	74 2-29/32	31 1-7/32	92.0 3-5/8	82.0 3.228	M27 1	UK317;H2317 UK317;HA2317 UK317;HE2317	F317	15.60
UKF318;H2318 318;HA2318	80 3-3/16	280 11-1/32	216 8-1/2	44 1-47/64	30 1-3/16	76 3	35 1-3/8	93.5 3-11/16	86.0 3.386	M30 1-1/8	UK318;H2318 UK318;HA2318	F318	18.90
UKF319;H2319 319;HA2319	85 3-5/16	290 11-13/32	228 8-31/32	59 2-21/64	30 1-3/16	94 3-11/16	35 1-3/8	111 4-3/8	90.0 3.543	M30 1-1/8	UK319;H2319 UK319;HA2319	F319	23.20
UKF320;H2320 320;HA2320	90 3-7/16	310 12-7/32	242 9-17/32	59 2-21/64	32 1-1/4	94 3-11/16	38 1-1/2	115.0 4-17/32	97.0 3.814	M33 1-1/4	UK320;H2320 UK320;HA2320	F320	26.30
UKF322;H2322 322;HA2322	100 3-15/16	340 13-3/8	266 10-15/32	60 3-23/64	35 1-3/8	96 3-25/32	41 1-39/64	121.0 4-49/64	105.0 4.134	M36 1-3/8	UKF322;H2322 UKF322;HA2322	F322	35.30
UKF324;H2324 324;HA2324	110 4-3/16	370 14-9/16	290 11-27/64	65 2-9/16	40 1-9/16	110 4-11/32	41 1-39/64	130.0 5-1/8	112.0 4.41	M36 1-3/8	UK324;H2324 UK324;HA2324	F324	47.70
UKF326;H2326 326;HA2326	115 4-7/16	410 16-5/32	320 12-19/32	65 2-9/16	45 1-25/32	115 4-17/32	41 1-39/64	134.0 5-9/32	121.0 4.764	M36 1-3/8	UK326;H2326 UK326;HA2326	F326	63.10
UKF328;H2328 328;HA2328	125 4-15/16	450 17-23/32	350 13-25/32	75 2-61/64	55 2-5/32	125 4-29/32	41 1-39/64	148.0 5-53/64	131.0 5.158	M36 1-3/8	UK328;H2328 UK328;HA2328	F328	87.00

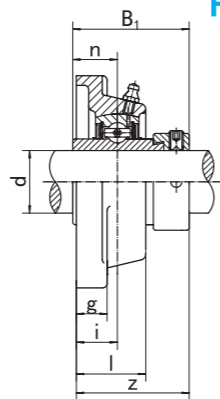
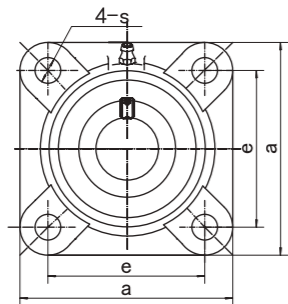
Flange Units (Square)



UCFU2 (Normal-duty)

Unit NO.	Dimensions (mm / in.)										Bolt Size mm/in.	Bearing No.	Housing No.	Weight (kg)
	d	a	e	i	g	l	s	z	B	n				
UCSFU203	17 3	76.0 3	54.0 2-1/8	15.0 19/32	11.0 7/16	25.5 1	12.0 15/32	30.9 1-7/32	27.4 1.0787	11.5 0.453	M10 3/8	UCS203	FU203S	0.38
UCFU203 203-11	17 11/16	86.0 3-3/8	63.5 2-1/2	19.0 3/4	15.0 19/32	29.5 1-5/32	12.0 15/32	37.3 1-15/32	31.0 1.2205	12.7 0.500	M10 3/8	UC203	FU203	0.64 0.63
UCFU204 204-12	20 3/4	86.0 3-3/8	63.5 2-1/2	19.0 3/4	15.0 19/32	29.5 1-5/32	12.0 15/32	37.3 1-15/32	31.0 1.2205	12.7 0.500	M10 3/8	UC204	FU204	0.62 0.62
UCFU205 205-13 205-14 205-15 205-16	25 13/16 7/8 15/16 1	93.0 3-21/32	70.0 2-3/4	19.0 3/4	15.0 19/32	30.0 1-3/16	12.0 15/32	38.8 1-17/32	34.1 1.3425	14.3 0.563	M10 3/8	UC205 UC205-13 UC205-14 UC205-15 UC205-16	FU205	0.73 0.77 0.76 0.74 0.73
UCFU206 206-17 206-18 206-19 206-20	30 1-1/16 1-1/8 1-3/16 1-1/4	106.0 4-11/64	82.5 3-1/4	20.0 25/32	16.0 5/8	32.5 1-9/32	12.0 15/32	42.2 1-21/32	38.1 1.5000	15.9 0.626	M10 3/8	UC206 UC206-17 UC206-18 UC206-19 UC206-20	FU206	1.04 1.05 1.06 1.04 1.03
UCFU207 207-20 207-21 207-22 207-23	35 1-1/4 1-5/16 1-3/8 1-7/16	116.0 4-9/16	92.0 3-5/8	21.0 53/64	17.0 43/64	35.0 1-3/8	14.0 35/64	46.4 1-53/64	42.9 1.6890	17.5 0.689	M12 7/16	UC207 UC207-20 UC207-21 UC207-22 UC207-23	FU207	1.33 1.40 1.37 1.34 1.31
UCFU208 208-24 208-25	40 1-1/2 1-9/16	129.0 5-5/64	101.5 4	24.0 15/16	17.0 43/64	39.0 1-17/32	14.0 35/64	54.2 2-1/8	49.2 1.9370	19.0 0.748	M12 7/16	UC208 UC208-24 UC208-25	FU208	1.78 1.82 1.79
UCFU209 209-26 209-27 209-28	45 1-5/8 1-11/16 1-3/4	135.0 5-5/16	105.0 4-9/64	24.0 15/16	18.0 23/32	40.0 1-37/64	16.0 5/8	54.2 2-1/8	49.2 1.9370	19.0 0.748	M14 1/2	UC209 UC209-26 UC209-27 UC209-28	FU209	1.98 2.08 2.04 2.00
UCFU210 210-29 210-30 210-31 210-32	50 1-13/16 1-7/8 1-15/16 2	143.0 5-5/8	111.0 4-3/8	28.0 1-3/32	20.0 25/32	45.0 1-49/64	18.0 23/32	60.6 2-25/64	51.6 2.0315	19.0 0.748	M16 5/8	UC210 UC210-29 UC210-30 UC210-31 UC210-32	FU210	2.41 2.53 2.48 2.43 2.39
UCFU211 211-32 211-33 211-34 211-35	55 2 2-1/16 2-1/8 2-3/16	162.0 6-3/8	130.0 5-1/8	31.0 1-7/32	21.0 53/64	49.0 1-59/64	18.0 23/32	64.4 2-17/32	55.6 2.1890	22.2 0.874	M16 5/8	UC211 UC211-32 UC211-33 UC211-34 UC211-35	FU211	3.29 3.44 3.38 3.34 3.27
UCFU212 212-36 212-37 212-38 212-39	60 2-1/4 2-5/16 2-3/8 2-7/16	175.0 6-57/64	143.0 5-5/8	34.0 1-11/32	22.0 55/64	53.5 1-7/64	18.0 23/32	73.7 2-29/32	65.1 2.5630	25.4 1.000	M16 5/8	UC212 UC212-36 UC212-37 UC212-38 UC212-39	FU212	4.15 4.28 4.20 4.13 4.06
UCFU213 213-40 213-41	65 2-1/2 2-9/16	184.0 7-1/4	149.0 5-55/64	38.0 1-1/2	22.0 55/64	58.0 2-9/32	18.0 23/32	77.7 3-1/16	65.1 2.5630	25.4 1.000	M16 5/8	UC213 UC213-40 UC213-41	FU213	4.97 5.06 4.97
UCFU214 214-42 214-43 214-44	70 2-5/8 2-11/16 2-3/4	188.0 7-13/32	152.0 5-63/64	38.0 1-1/2	23.0 29/32	59.0 2-21/64	18.0 23/32	82.4 3-1/4	74.6 2.9370	30.2 1.189	M16 5/8	UC214 UC214-42 UC214-43 UC214-44	FU214	5.44 5.65 5.55 5.45
UCFU215 215-45 215-46 215-47 215-48	75 2-13/16 2-7/8 2-15/16 3	200.0 7-7/8	159.0 6-17/64	41.0 1-39/64	24.0 15/16	62.0 2-7/16	18.0 23/32	85.5 3-23/64	77.8 3.0630	33.3 1.311	M16 5/8	UC215 UC215-45 UC215-46 UC215-47 UC215-48	FU215	6.28 6.28 6.53 6.42 6.22

HCFU2 (Normal-duty)

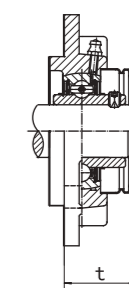
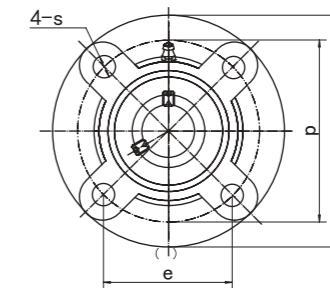
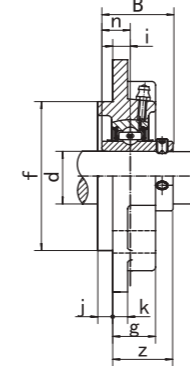


Flange Units (Square)

Unit NO.	Dimensions (mm / in.)										Bolt Size mm/in.	Bearing No.	Housing No.	Weight (kg)
	d	a	e	i	g	l	s	z	B1	n				
HCFU203 203-11	17 11/16	86 3-3/8	63.5 2-1/2	19 3/4	15 19/32	29.5 1-5/32	12 15/32	45.6 1-51/64	43.7 1.720	17.1 0.673	M10 3/8	HC203 HC203-11	FU203	0.70 0.70
HCFU204 204-12	20 3/4	86 3-3/8	63.5 2-1/2	19 3/4	15 19/32	29.5 1-5/32	12 15/32	45.6 1-51/64	43.7 1.720	17.1 0.673	M10 3/8	HC204 HC204-12	FU204	0.68 0.68
HCFU205 205-13 205-14 205-15 205-16	25 13/16 7/8 15/16 1	93 3-21/32	70 2-3/4	19 3/4	15 19/32	30 1-3/16	12 15/32	45.9 1-13/16	44.4 1.748	17.5 0.689	M10 3/8	HC05 HC205-13 HC205-14 HC205-15 HC205-16	FU205	0.79 0.84 0.83 0.81 0.79
HCFU206 206-17 206-18 206-19 206-20	30 1-1/16 1-1/8 1-3/16 1-1/4	106 4-11/64	82.5 3-1/4	20 25/32	16 5/8	32.5 1-9/32	12 15/32	50.1 1-31/32	48.4 1.906	18.3 0.720	M10 3/8	HC206 HC206-17 HC206-18 HC206-19 HC206-20	FU206	1.11 1.16 1.13 1.11 1.08
HCFU207 207-20 207-21 207-22 207-23	35 1-1/4 1-5/16 1-3/8 1-7/16	116 4-9/16	92 3-5/8	21 53/64	17 43/64	35 1-3/8	14 35/64	53.3 2-3/32	51.1 2.012	18.8 0.740	M12 7/16	HC207 HC207-20 HC207-21 HC207-22 HC207-23	FU207	1.47 1.54 1.50 1.47 1.45
HCFU208 208-24 208-25	40 1-1/2 1-9/16	129 5-5/64	101.5 4	24 15/16	17 43/64	39 1-17/32	14 35/64	58.9 2-5/16	56.3 2.217	21.4 0.843	M12 7/16	HC208 HC208-24 HC208-25	FU208	1.91 1.96 1.92
HCFU209 209-26 209-27 209-28	45 1-5/8 1-11/16 1-3/4	135 5-5/16	105 4-9/64	24 15/16	18 23/32	40 1-37/64	16 5/8	58.9 2-5/16	56.3 2.217	21.4 0.843	M14 1/2	HC209 HC209-26 HC209-27 HC209-28	FU209	2.11 2.22 2.17 2.13
HCFU210 210-29 210-30 210-31 210-32	50 1-13/16 1-7/8 1-15/16 2	143 5-5/8	111 4-3/8	28 1-3/32	20 25/32	45 1-49/64	18 23/32	66.1 2-39/64	62.7 2.469	24.6 0.969	M16 5/8	HC210 HC210-29 HC210-30 HC210-31 HC210-32	FU210	2.60 2.75 2.69 2.63 2.57
HCFU211 211-32 211-33 211-34 211-35	55 2 2-1/16 2-1/8 2-3/16	162 6-3/8	130 5-1/8	31 1-7/32	21 53/64	49 1-59/64	18 23/32	74.6 2-15/16	71.4 2.811	27.8 1.094	M16 5/8	HC211 HC211-32 HC211-33 HC211-34 HC211-35	FU211	3.56 3.86 3.68 3.61 3.53
HCFU212 212-36 212-37 212-38 212-39	60 2-1/4 2-5/16 2-3/8 2-7/16	175 6-57/64	143 5-5/8	34 1-11/32	22 55/64	53.5 1-7/64	18 23/32	80.8 3-3/16	77.8 3.063	31 1.220	M16 5/8	HC212 HC212-36 HC212-37 HC212-38 HC212-39	FU212	4.46 4.48 4.53 4.47 4.45
HCFU213 213-40 213-41	65 2-1/2 2-9/16	184 7-1/4	149 5-55/64	38 1-1/2	22 55/64	58 2-9/32	18 23/32	89.6 3-17/32	85.7 3.374	34.1 1.343	M16 5/8	HC213 HC213-40 HC213-41	FU213	5.51 5.62 5.50
HCFU214 214-42 214-43 214-44	70 2-5/8 2-11/16 2-3/4	188 7-13/32	152 5-63/64	38 1-1/2	23 29/32	59 2-21/64	18 23/32	89.6 3-17/32	85.7 3.374	34.1 1.343	M16 5/8	HC214 HC214-42 HC214-43 HC214-44	FU214	5.86 5.80 5.99 5.87
HCFU215 215-45 215-46 215-47 215-48	75 2-13/16 2-7/8 2-15/16 3	200 7-7/8	159 6-17/64	41 1-39/64	24 15/16	62 2-7/16	18 23/32	95.8 3-49/64	92.1 3.626	37.3 1.469	M16 5/8	HC215 HC215-45 HC215-46 HC215-47 HC215-48	FU215	6.77 7.07 6.94 6.81 6.67

UCFC2 (Normal-duty)

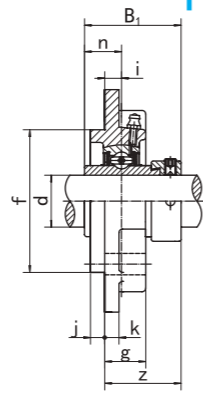
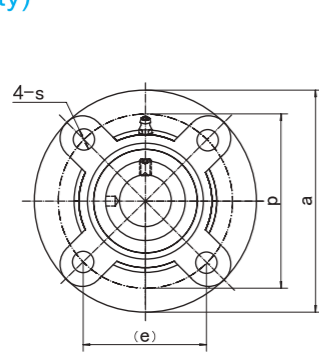
Flange Cartridge Units



UCFC-C1(D1)

Unit NO.	Dimensions (mm / in.)															Bolt Size mm/in.	Bearing No.	Housing No.	Weight (kg)
	d	a	p	(e)	i	s	j	k	g	f	z	t	B	n					
UCFC201 201-8	12 1/2	100 3-15/16	78 3-5/64	55.1 2-11/64	10 25/64	12 15/32	5 13/64	7 9/32	20.5 13/16	62 2.4409	28.3 1-1/8	32.5 1-9/32	31.0 1.2205	12.7 0.500	M10 3/8	UC201 UC201-8	FC201	0.70 0.69	
UCFC202 202-9 202-10	15 9/16 5/8	100 3-15/16	78 3-5/64	55.1 2-11/64	10 25/64	12 15/32	5 13/64	7 9/32	20.5 13/16	62 2.4409	28.3 1-1/8	32.5 1-9/32	31.0 1.2205	12.7 0.500	M10 3/8	UC202 UC202-9 UC202-10	FC202	0.69 0.69 0.69	
UCFC203 203-11	17 11/16	100 3-15/16	78 3-5/64	55.1 2-11/64	10 25/64	12 15/32	5 13/64	7 9/32	20.5 13/16	62 2.4409	28.3 1-1/8	32.5 1-9/32	31.0 1.2205	12.7 0.500	M10 3/8	UC203 UC203-11	FC203	0.68 0.67	
UCFC204 204-12	20 3/4	100 3-15/16	78 3-5/64	55.1 2-11/64	10 25/64	12 15/32	5 13/64	7 9/32	20.5 13/16	62 2.4409	28.3 1-1/8	32.5 1-9/32	31.0 1.2205	12.7 0.500	M10 3/8	UC204 UC204-12	FC204	0.66 0.66	
UCFC205 205-13 205-14 205-15 205-16	25 13/16 7/8 15/16 1	115 4-17/32	90 3-35/64	63.6 2-1/2	10 25/64	12 15/32	6 15/64	7 9/32	21 53/64	70 2.7559	29.8 1-11/64	34.0 1-11/32	34.1 1.3425	14.3 0.563	M10 3/8	UC205 UC205-13 UC205-14 UC205-15 UC205-16	FC205	0.89 0.92 0.91 0.89 0.88	
UCFC206 206-17 206-18 206-19 206-20	30 1-1/16 1-1/8 1-3/16 1-1/4	125 4-59/64	100 3-15/16	70.7 2-25/32	10 25/64	12 15/32	8 5/16	8 5/16	23 29/32	80 3.1496	32.2 1-17/64	36.5 1-7/16	38.1 1.5000	15.9 0.626	M10 3/8	UC206 UC206-17 UC206-18 UC206-19 UC206-20	FC206	1.18 1.19 1.20 1.18 1.17	
UCFC207 207-20 207-21 207-22 207-23	35 1-1/4 1-5/16 1-3/8 1-7/16	135 5-5/16	110 4-21/64	77.8 3-1/16	11 7/16	14 35/64	8 5/16	9 23/64	26 1-1/32	90 3.5433	36.4 1-7/16	41.0 1-5/8	42.9 1.6890	17.5 0.689	M12 7/16	UC207 UC207-20 UC207-21 UC207-22 UC207-23	FC207	1.53 1.59 1.56 1.53 1.50	
UCFC208 208-24 208-25	40 1-1/2	145 5-45/64	120 4-23/32	84.8 3-11/32	11 7/16	14 35/64	10 25/64	9 23/64	26 1-1/32	100 3.9370	41.2 1-5/8	45.5 1-51/64	49.2 1.9370	19.0 0.748	M12 7/16	UC208 UC208-24 UC208-25	FC208	1.85 1.89 1.86	
UCFC209 209-26 209-27 209-28	45 1-5/8 1-11/16 1-3/4	160 6-19/64	132 5-13/64	93.3 3-43/64	10 25/64	14 5/8	12 15/32	14 35/64	26 1-1/32	105 4.1339	40.2 1-37/64	44.5 1-3/4	49.2 1.9370	19.0 0.748	M14 1/2	UC209 UC209-26 UC209-27 UC209-28	FC209	2.53 2.63 2.59 2.55	
UCFC210 210-29 210-30 210-31 210-32	50 1-13/16 1-7/8 1-15/16 2	165 6-1/2	138 5-7/16	97.6 3-27/32	10 25/64	16 5/8	12 15/32	14 35/64	28 1-7/64	110 4.3307	42.6 1-11/16	47.5 1-7/8	51.6 2.0315	19.0 0.748	M14 1/2	UC210 UC210-29 UC210-30 UC210-31 UC210-32	FC210	2.78 2.90 2.85 2.80 2.76	
UCFC211 211-32 211-33 211-34 211-35	55 2 2-1/16 2-1/8 2-3/16	185 7-9/32	150 5-29/32	106.1 4-3/16	13 33/64	19 3/4	12 15/32	15 19/32	31 1-7/32	125 4.9213	46.4 1-53/64	51.0 2-1/64	55.6 2.1890	22.2 0.874	M16 5/8	UC211 UC211-32 UC211-33 UC211-34 UC211-35	FC211	3.86 4.01 3.95 3.91 3.84	
UCFC212 212-36 212-37 212-38 212-39	60 2-1/4 2-5/16 2-3/8 2-7/16	195 7-11/16	160 6-19/64	113.1 4-29/64	17 43/64	19 3/4	12 15/32	15 19/32	36 1-27/64	135 5.3150	56.7 2-15/64	61.5 2-27/64	65.1 2.5630	25.4 1.000	M16 5/8	UC212 UC212-36 UC212-37 UC212-38 UC212-39	FC212	4.69 4.82 4.74 4.67 4.60	
UCFC213 213-40 213-41	65 2-1/2 2-9/16	205 8-5/64	170 6-11/16	120.2 4-47/64	16 5/8	19 3/4	14 35/64	15 19/32	36 1-27/64	145 5.5118	55.7 2-3/16	60.5 2-25/64	65.1 2.5630	25.4 1.000	M16 5/8	UC213 UC213-40 UC213-41	FC213	5.30 5.39 5.30	
UCFC214 214-42 214-43 214-44	70 2-5/8 2-11/16 2-3/4	215 8-15/32	177 6-31/32	125.1 4-59/64	17 43/64	19 3/4	14 35/64	18 23/32	40 1-37/64	150 5.9055	61.4 2-13/32	67.5 2-21/32	74.6 2.9370	30.2 1.189	M16 5/8	UC214 UC214-42 UC214-43 UC214-44	FC214	6.46 6.67 6.57 6.47	
UCFC215 215-45 215-46 215-47 215-48	75 2-13/16 2-7/8 2-15/16 3	220 8-21/32	184 7-1/4	130.1 5-1/8	18 23/32	19 3/4	16 5/8	18 23/32	40 1-37/64	160 6.2992	62.5 2-15/32	67.5 2-21/32	77.8 3.0630	33.3 1.311	M16 5/8	UC215 UC215-45 UC215-46 UC215-47 UC215-48	FC215	6.86 6.86 7.11 7.00 6.80	
UCFC216 216-49 216-50 216-51	80 3-1/16 3-1/8 3-3/16	240 9-29/64	200 7-7/8	141.4 5-9/16	18 23/32	23 29/32	16 5/8	18 23/32	42 1-21/32	170 6.6929	67.3 2-21/32	72.5 2-55/64	82.6 3.2520	33.3 1.311	M20 3/4	UC216 UC216-49 UC216-50 UC216-51	FC216	8.47 8.65 8.52 8.39	
UCFC217 217-52 217-53 217-55	85 3-1/4 3-5/16 3-7/16	250 9-27/32	208 8-3/16	147.1 5-51/64	18 23/32	23 29/32	18 23/32	20 25/32	45 1-25/32	180 7.0866	69.6 2-3/4	74.6 2-15/16	85.7 3.3740	34.1 1.343	M20 3/4	UC217 UC217-52 UC217-53 UC217-55	FC217	10.18 10.30 10.26 9.97	
UCFC218 218-56	90 3-1/2	265 10-7/16	220 8-21/32	155.5 6-1/8	22 55/64	23 29/32	18 23/32	20 25/32	50 1-31/32	190 7.4803	78.3 3-3/32	83.5 3-9/32	96.0 3.7795	39.7 1.5630	M20 3/4	UC218 UC218-56	FC218	12.24 12.35	

HCFC2 (Normal-duty)

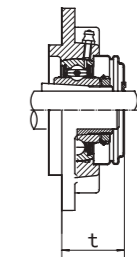
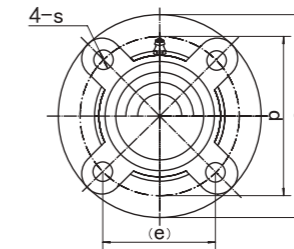
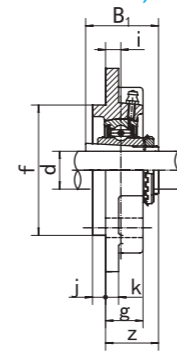


Flange Cartridge Units

Unit NO.	Dimensions (mm / in.)													Bolt Size mm/in.	Bearing No.	Housing No.	Weight (kg)
	d	a	p	(e)	i	s	j	k	g	f	z	B1	n				
HCFC204 204-12	20 3/4	100 3-15/16	78 3-5/64	55.1 2-11/64	10 25/64	12 15/32	5 13/64	7 9/32	20.5 13/16	62 2.4409	36.6 1-7/16	43.7 1.720	17.1 0.673	M10 3/8	HC204 HC204-12	FC204	0.72 0.72
HCFC205 205-13 205-14 205-15 205-16	25 13/16 7/8 15/16 1	115 4-17/32	90 3-35/64	63.6 2-1/2	10 25/64	12 15/32	6 15/64	7 9/32	21 53/64	70 2.7559	36.9 1-29/64	44.4 1.748	17.5 0.689	M10 3/8	HC205 HC205-13 HC205-14 HC205-15 HC205-16	FC205	0.94 0.99 0.98 0.96 0.94
HCFC206 206-17 206-18 206-19 206-20	30 1-1/16 1-1/8 1-3/16 1-1/4	125 4-59/64	100 3-15/16	70.7 2-25/32	10 25/64	12 15/32	8 5/16	8 5/16	23 29/32	80 3.1496	40.1 1-37/64	48.4 1.906	18.3 0.720	M10 3/8	HC206 HC206-17 HC206-18 HC206-19 HC206-20	FC206	1.25 1.30 1.27 1.25 1.22
HCFC207 207-20 207-21 207-22 207-23	35 1-1/4 1-5/16 1-3/8 1-7/16	135 5-5/16	110 4-21/64	77.8 3-1/16	11 7/16	14 35/64	8 5/16	9 23/64	26 1-1/32	90 3.5433	43.3 1-45/64	51.1 2.012	18.8 0.740	M12 7/16	HC207 HC207-20 HC207-21 HC207-22 HC207-23	FC207	1.67 1.74 1.70 1.67 1.65
HCFC208 208-24 208-25	40 1-1/2 1-9/16	145 5-45/64	120 4-23/32	84.8 3-11/32	11 7/16	14 35/64	10 25/64	9 23/64	26 1-1/32	100 3.9370	45.9 1-13/16	56.3 2.217	21.4 0.843	M12 7/16	HC208 HC208-24 HC208-25	FC208	1.98 2.03 1.99
HCFC209 209-26 209-27 209-28	45 1-5/8 1-11/16 1-3/4	160 6-19/64	132 5-13/64	93.3 3-43/64	10 25/64	16 5/8	12 15/32	14 35/64	26 1-1/32	105 4.1339	44.9 1-49/64	56.3 2.217	21.4 0.843	M14 1/2	HC209 HC209-26 HC209-27 HC209-28	FC209	2.66 2.77 2.72 2.68
HCFC210 210-29 210-30 210-31 210-32	50 1-13/16 1-7/8 1-15/16 2	165 6-1/2	138 5-7/16	97.6 3-27/32	10 25/64	16 5/8	12 15/32	14 35/64	28 1-7/64	110 4.3307	48.1 1-57/64	62.7 2.469	24.6 0.969	M14 1/2	HC210 HC210-29 HC210-30 HC210-31 HC210-32	FC210	2.97 3.12 3.06 3.00 2.94
HCFC211 211-32 211-33 211-34 211-35	55 2 2-1/16 2-1/8 2-3/16	185 7-9/32	150 5-29/32	106.1 4-3/16	13 33/64	19 3/4	12 15/32	15 19/32	31 1-7/32	125 4.9213	56.6 2-15/64	71.4 2.811	27.8 1.094	M16 5/8	HC211 HC211-32 HC211-33 HC211-34 HC211-35	FC211	4.13 4.43 4.25 4.18 4.10
HCFC212 212-36 212-37 212-38 212-39	60 2-1/4 2-5/16 2-3/8 2-7/16	195 7-11/16	160 6-19/64	113.1 4-29/64	17 43/64	19 3/4	12 15/32	15 19/32	36 1-27/64	135 5.3150	63.8 2-33/64	77.8 3.063	31.0 1.220	M16 5/8	HC212 HC212-36 HC212-37 HC212-38 HC212-39	FC212	5.01 5.03 5.08 5.01 5.00
HCFC213 213-40 213-41	65 2-1/2 2-9/16	205 8-5/64	170 6-11/16	120.2 4-47/64	16 5/8	19 3/4	14 35/64	15 19/32	36 1-27/64	145 5.5118	67.6 2-21/32	85.7 3.374	34.1 1.343	M16 5/8	HC213 HC213-40 HC213-41	FC213	5.84 5.94 5.83
HCFC214 214-42 214-43 214-44	70 2-5/8 2-11/16 2-3/4	215 8-15/32	177 6-31/32	125.1 4-59/64	17 43/64	19 3/4	14 35/64	18 23/32	40 1-37/64	150 5.9055	68.6 2-45/64	85.7 3.374	34.1 1.343	M16 5/8	HC214 HC214-42 HC214-43 HC214-44	FC214	6.87 6.81 7.00 6.88
HCFC215 215-45 215-46 215-47 215-48	75 2-13/16 2-7/8 2-15/16 3	220 8-21/32	184 7-1/4	130.1 5-1/8	18 23/32	19 3/4	16 5/8	18 23/32	40 1-37/64	160 6.2992	72.8 2-7/8	92.1 3.626	37.3 1.469	M16 5/8	HC215 HC215-45 HC215-46 HC215-47 HC215-48	FC215	7.34 7.64 7.51 7.38 7.24
HCFC216 216-49 216-50 216-51	80 3-1/16 3-1/8 3-3/16	240 9-29/64	200 7-7/8	141.4 5-9/16	18 23/32	23 29/32	16 5/8	18 23/32	42 1-21/32	170 6.6929	75.9 2-63/64	95.2 3.748	37.3 1.469	M20 3/4	HC216 HC216-49 HC216-50 UC216-51	FC216	9.15 9.35 9.21 9.06
HCFC217 217-52 217-53 217-55	85 3-1/4 3-5/16 3-7/16	250 9-27/32	208 8-3/16	147.1 5-51/64	18 23/32	23 29/32	18 25/32	20 25/32	45 1-25/32	180 7.0866	68.4 2-45/64	73.8 2.905	23.4 0.921	M20 3/4	HC217 HC217-52 HC217-53 HC217-55	FC217	10.43 10.62 10.50 10.25
HCFC218 218-56	90 3-1/2	265 10-7/16	220 8-21/32	155.5 6-1/8	22 55/64	23 29/32	18 23/32	20 25/32	50 1-31/32	190 7.4803	70.1 2-3/4	72.6 2.858	24.5 0.964	M20 3/4	HC218 HC218-56	FC218	12.06 12.15

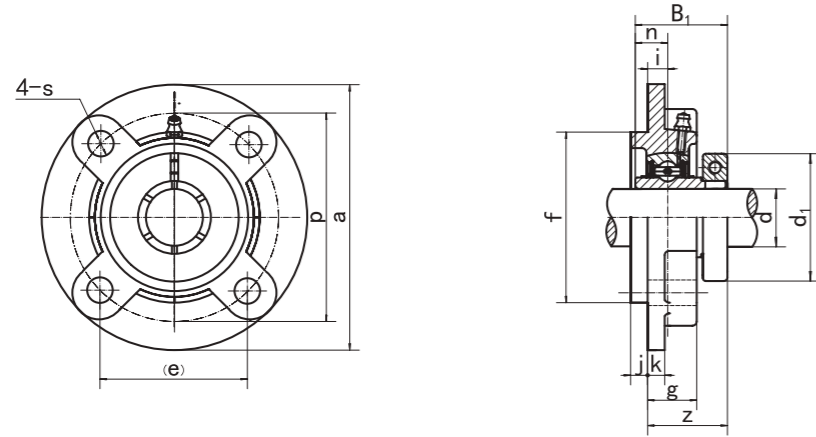
UKFC2 (Normal-duty)

Flange Cartridge Units
(with adapter mounted)

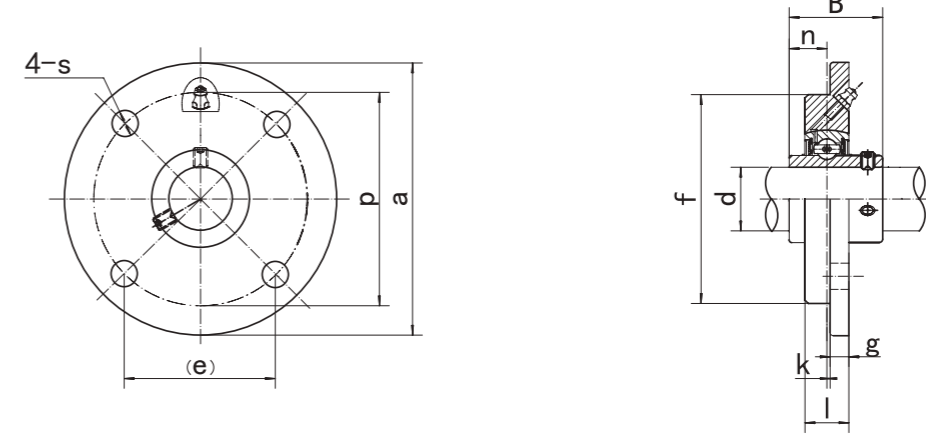


UKFC-C1(D1)

Unit NO.	Dimensions (mm / in.)													Bolt Size mm/in.	Bearing No.	Housing No.	Weight (kg)
	d	a	p	(e)	i	s	j	k	g	f	z	t	B1				
UKFC205;H2305 205;HE2305	20 3/4	115 4-17/32	90 3-35/64	63.6 2-1/2	10 15/64	12 25/32	6 15/64	7 9/32	21 53/64	70 2.7559	29.5 1-5/32	34 1-11/32	35 1.378	M10 3/8	UK205;H2305 UK205;HE2305	FC205	0.93
UKFC206;H2306 206;HS2306 206;HE2306	25 7/8 1	125 4-59/64	100 3-15/16	70.7 2-25/32	10 25/64	12 15/32	8 5/16	8 5/16	23 29/32	80 3.1496	31 1-7/32	36.5 1-7/16	38 1.496	M10 3/8	UK206;H2306 UK206;HS2306 UK206;HE2306	FC206	1.24
UKFC207;H2307 207;HS2307	30 1-1/8	135 5-5/16	110 4-21/64	77.8 3-1/16	11 7/16	14 35/64	8 5/16	9 23/64	26 1-1/32	90 3.5433	33.5 1-5/16	41 1-5/8	43 1.693	M12 7/16	UK207;H2307 UK207;HS2307	FC207	1.60
UKFC208;H2308 208;HE2308 208;HS2308	35 1-1/4 1-3/8	145 5-45/64	120 4-23/32	84.8 3-11/32	11 7/16	14 35/64	10 25/64	9 23/64	26 1-1/32	100 3.9370	35.5 1-25/64	45.5 1-51/64	46 1.811	M12 7/16	UK208;H2308 UK208;HE2308 UK208;HS2308	FC208	1.92
UKFC209;H2309 209;HA2309 209;HE2309 209;HS2309	40 1-7/16 1-1/2 1-5/8	160 6-19/64	132 5-13/64	93.3 3-43/64	10 25/64	16 5/8	12 15/32	14 35/64	26 1-1/32	105 4.1339	36 1-27/64	44.5 1-3/4	50 1.969	M14 1/2	UK209;H2309 UK209;HA2309 UK209;HE2309 UK209;HS2309	FC209	2.65
UKFC210;H2310 210;HS2310 210;HA2310 210;HE2310	45 1-5/8 1-11/16 1-3/4	165 6-1/2	138 5-7/16	97.6 3-27/32	10 25/64	16 5/8	12 15/32	14 35/64	28 1-7/64	110 4.3307	37.5 1-15/32	47.5 1-7/8	55 2.165	M14 1/2	UK210;H2310 UK210;HS2310 UK210;HA2310 UK210;HE2310	FC210	2.96
UKFC211;H2311 211;HS2311 211;HA2311 211;HE2311	50 1-7/8 1-15/16 2	185 7-9/32	150 5-29/32	106.1 4-3/16	13 33/64	19 3/4	12 15/32	15 19/32	31 1-7/32	125 4.9213	41.5 1-41/64	51 2-1/64	59 2.323	M16 5/8	UK211;H2311 UK211;HS2311 UK211;HA2311 UK211;HE2311	FC211	4.02
UKFC212;H2312 212;HS2312	55 2-1/8	195 7-11/16	160 6-19/64	113.1 4-29/64	17 43/64	19 3/4	12 15/32	15 19/32	36 1-27/64	135 5.3150	48 1-57/64	61.5 2-27/64	62 2.441	M16 5/8	UK212;H2312 UK212;HS2312	FC212	4.77
UKFC213;H2313 213;HA2313 213;HE2313 213;HS2313	60 2-3/16 2-1/4 2-3/8	205 8-5/64	170 6-11/16	120.2 4-47/64	16 5/8	19 3/4	14 35/64	15 19/32	36 1-27/64	145 5.5118	49 1-15/16	60.5 2-25/64	65 2.559	M16 5/8	UK213;H2313 UK213;HA2313 UK213;HE2313 UK213;HS2313	FC213	5.41
UKFC215;H2315 215;HA2315 215;HE2315	65 2-7/16 2-1/2	220 8-21/32	184 7-1/4	130.1 5-1/8	18 23/32	19 3/4	16 5/8	18 23/32	40 1-37/64	160 6.2992	53.5 2-7/64	67.5 2-21/32	73 2.874	M16 5/8	UK215;H2315 UK215;HA2315 UK215;HE2315	FC215	7.25
UKFC216;H2316 216;HA2316 216;HE2316	70 2-11/16 2-3/4	240 9-29/64	200 7-7/8	141.4 5-9/16	18 23/32	23 29/32	16 5/8	18 23/32	42 1-21/32	170 6.6929	57 2-1/4	72.5 2-55/64	78 3.071	M20 3/4	UK216;H2316 UK216;HA2316 UK216;HE2316	FC216	8.90
UKFC217;H2317 217;HA2317 217;HE2317	75 2-15/16 3	250 9-27/32	208 8-3/16	147.1 5-51/64	18 23/32	23 29/32	18 25/32	20 25/32	45 1-25/32	180 7.0866	59 2-21/64	74.6 2-15/16	82 3.228	M20 3/4	UK217;H2317 UK217;HA2317 UK217;HE2317	FC217	10.60
UKFC218;H2318 218;HA2318	80 3-3/16	265 10-7/16	220 8-21/32	155.5 6-1/8	22 55/64	23 29/32	18 23/32	20 25/32	50 1-31/32	190 7.4803	64.5 3-35/64	83.5 3-9/32	86 3.386	M20 3/4	UK218;H2318 UK218;HA2318	FC218	12.54



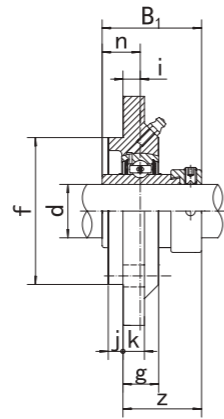
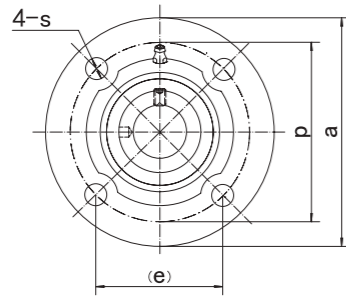
Unit NO.	Dimensions (mm / in.)														Bolt Size mm/in.	Bearing No.	Housing No.	Weight (kg)
	d	d1	a	p	(e)	i	s	j	k	g	f	z	B1	n				
NCFC204	20	44.5	100	78	55.1	10	12	5	7	20.5	62.0	29.8	33.4	12.7	M10	NC204	FC204	1.00
204-12	3/4	1-3/4	3-15/16	3-5/64	2-11/64	25/64	15/32	13/64	9/32	13/16	2.441	1.173	1.315	0.500	3/8	NC204-12		
NCFC205	25	49.2	115	90	63.6	10	12	6	7	21	70	32.2	36.5	14.3	M10	NC205	FC205	1.10
205-14	7/8															NC205-14		
205-15	15/16	1-15/16	4-17/32	3-35/64	2-1/2	25/64	15/32	15/64	9/32	53/64	2.7559	1.2677	1.437	0.563	3/8	NC205-15		
205-16	1															NC205-16		
NCFC206	30	55.6	125	100	70.7	10	12	8	8	23	80	33.8	39.7	15.9	M10	NC206	FC206	1.38
206-18	1-1/8															NC206-18		
206-19	1-3/16	2-3/16	4-59/64	3-15/16	2-25/32	25/64	15/32	5/16	5/16	29/32	3.1496	1.330	1.563	0.626	3/8	NC206-19		
206-20	1-1/4															NC206-20		
NCFC207	35	65.1	135	110	77.8	11	14	8	9	26	90	38.0	44.5	17.5	M12	NC207	FC207	1.88
207-20	1-1/4	2-7/16														NC207-20		
207-22	1-3/8	2-9/16	5-5/16	4-21/64	3-1/16	7/16	35/64	5/16	23/64	1-1/32	3.5433	1.496	1.752	0.740	7/16	NC207-22		
207-23	1-7/16																	
NCFC208	40	68.3	145	120	84.8	11	14	10	9	26	100	41.8	50.8	19.0	M12	NC208	FC208	2.25
208-24	1-1/2	2-11/16	5-45/64	4-23/32	3-11/32	7/16	35/64	25/64	23/64	1-1/32	3.9370	1.646	2.000	0.748	7/16	NC208-24		
NCFC209	45	74.6	160	132	93.3	10	16	12	14	26	105	43.4	50.8	19.0	M14	NC209	FC209	2.98
209-26	1-5/8	2-13/16														NC209-26		
209-27	1-11/16	2-15/16	6-19/64	5-19/64	3-43/64	25/64	5/8	15/32	35/64	1-1/32	4.1339	1.709	2.000	0.748	1/2	NC209-27		
209-28	1-3/4																	
NCFC210	50	85.7	165	138	97.6	10	16	12	14	28	110	44.1	53.1	19.0	M14	NC210	FC210	3.44
210-31	1-15/16	3-3/8	6-1/2	5-7/16	3-27/32	25/64	5/8	15/32	35/64	1-7/64	4.3307	1.736	2.091	0.748	1/2	NC210-31		
210-32	2															NC210-32		
NCFC211	55	92.1	185	150	106.1	13	19	12	15	31	125	47.9	57.1	22.2	M16	NC211	FC211	4.37
211-32	2	3-1/2	7-9/32	5-29/32	4-11/64	33/64	3/4	15/32	19/32	1-7/32	4.9213	1.886	2.248	0.874	5/8	NC211-32		
211-35	2-3/16	3-5/8														NC211-35		
NCFC212	60	104.8	195	160	113.1	17	19	12	15	36	135	58.3	66.7	25.4	M16	NC212	FC212	5.50
212-36	2-1/4	4-1/16	7-11/16	6-19/64	4-29/64	43/64	3/4	15/32	19/32	1-13/32	5.3150	2.295	2.626	1.000	5/8	NC212-36		
212-39	2-7/16	4-1/8														NC212-39		



Unit NO.	Dimensions (mm / in.)												Bolt Size mm/in.	Bearing No.	Housing No.	Weight (kg)
	d	a	p	(e)	s	l	k	g	f	B	n					
UCME204	20	100	78	55.1	9	17	0.5	8	62	31	12.7	M8	UC204RG	ME204	0.52	
		3-15/16	3-5/64	2-11/64	13/64	43/64	1/64	5/16	2.4409	1.2205	0.500	5/16				
UCME205	25	115	90	63.6	9	19	1.5	9	70	34.1	14.3	M8	UC205RG	ME205	0.74	
		4-17/32	3-35/64	2-1/2	13/64	3/4	1/16	13/64	2.7559	1.3425	0.563	5/16				
UCME206	30	125	100	70.7	11.5	20.5	1.5	9.5	80	38.1	15.9	M10	UC206RG	ME206	0.97	
		4-59/64	3-15/16	2-25/32	29/64	13/16	1/16	3/8	3.1496	1.5000	0.626	3/8				
UCME207	35	135	110	77.8	11.5	20.5	0.5	10	90	42.9	17.5	M10	UC207RG	ME207	1.24	
		5-5/16	4-21/64	3-1/16	29/64	13/16	1/64	25/64	3.5433	1.6890	0.689	3/8				
UCME208	40	145	120	84.8	11.5	23	1	11.5	100	49.2	19	M10	UC208RG	ME208	1.61	
		5-45/64	4-23/32	3-11/32	29/64	29/32	3/64	29/64	3.9370	1.9370	0.748	3/8				
UCME209	45	155	130	91.9	14	25	2	12	105	49.2	19	M12	UC209RG	ME209	1.93	
		6-7/64	5-1/8	3-5/8	35/64	63/64	5/64	15/32	4.1339	1.9370	0.748	1/2				
UCME210	50	165	135	95.5	14	25	0	13	110	51.6	19	M12	UC210RG	ME210	2.28	
		6-1/2	5-5/16	3-47/64	35/64	63/64	0	33/64	4.3307	2.0315	0.748	1/2				
UCME211	55	185	150	106.1	18	27.5	0	15	125	55.6	22.2	M16	UC211RG	ME211	2.95	
		7-9/32	5-29/32	4-3/16	45/64	1-5/64	0	19/32	4.9216	2.1890	0.874	5/8				
UCME212	60	195	160	113.1	18	29	-0.5	16	135	65.1	25.4	M16	UC212RG	ME212	3.57	
		7-11/16	6-19/64	4-29/64	45/64	1-9/64	-1/64	5/8	5.3150	2.5630	1.000	5/8				
UCME213	65	205	170	120.2	19	29	-3	18	145	65.1	25.4	M16	UC213RG	ME213	4.84	
		8-5/64	6-11/16	4-47/64	3/4	1-9/64	-1/8	45/64	5.7087	2.5630	1.000	5/8				
UCME214	70	215	177	125.1	18	32	-0.5	18	150	74.6	30.2	M16	UC214RG	ME214	5.30	
		8-15/32	6-31/32	4-59/64	45/64	1-1/4	-1/64	45/64	5.9055	2.9370	1.189	5/8				
UCME215	75	220	184	130.1	18	32	-1	18	160	77.8	33.3	M16	UC215RG	ME215	5.30	
		8-21/32	7-1/4	5-1/8	45/64	1-1/4	-3/64	45/64	6.2992	3.0630	1.311	5/8				
UCME216	80	220	184	130.1	18	32	-2	18	160	82.6	33.3	M16	UC216RG	ME216	5.60	
		8-21/32	7-1/4	5-1/8	45/64	1-1/4	-5/64	45/64	6.2992	3.2520	1.311	5/8				
UCME218	90	265	220	155.5	23	36	-2	20	190	96	39.7	M20	UC218RG	ME218	9.20	
		10-7/16	8-21/32	6-1/8	29/32	1-27/64	-5/64	25/32	7.4803	3.7795	1.5630	3/4				

HCFE2 (Normal-duty)

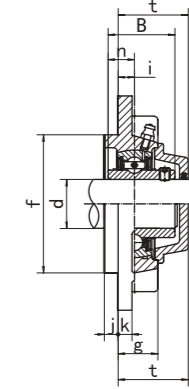
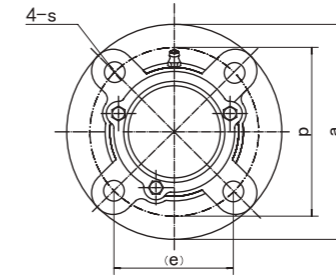
Flange Cartridge Units



Unit NO.	Dimensions (mm / in.)													Bolt Size mm/in.	Bearing No.	Housing No.	Weight (kg)
	d	a	p	(e)	i	s	j	k	g	f	z	B ₁	n				
HCFE205	25	115	92	65.1	9.5	9	3	9	19	75	36.4	44.4	17.5	M8	HC205RG	FE205	0.80
HCFE206	30	127	105	74.3	10.5	9	3	9.5	19.5	85	40.6	48.4	18.3	M8	HC206RG	FE206	1.08
HCFE207	35	135	110	77.8	9	11.5	4	10	18.5	90	41.3	51.1	18.8	M10	HC207RG	FE207	1.30
HCFE208	40	145	120	84.8	11.5	11.5	4	11.5	22	100	46.4	56.3	21.4	M10	HC208RG	FE208	1.70
HCFE209	45	155	130	91.9	11.5	14	4	12	22.5	105	46.4	56.3	21.4	M10	HC209RG	FE209	2.00
HCFE210	50	165	136	96.2	12.5	14	4	13	23.5	115	50.6	62.7	24.6	M12	HC210RG	FE210	2.40
HCFE212	60	195	165	116.7	17	14	4	16	29	140	63.8	77.8	31	M12	HC212RG	FE212	3.85

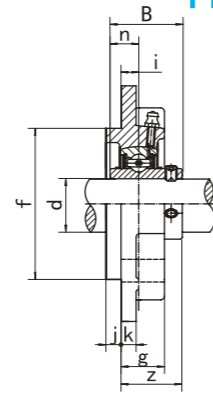
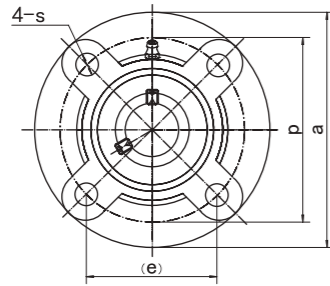
Flange Cartridge Units

UCCFC2 (Normal-duty)



Unit NO.	Dimensions (mm / in.)													Bolt Size mm/in.	Bearing No.	Housing No.	Weight (kg)
	d	a	p	(e)	i	s	j	k	g	f	t	B	n				
UCCFC204	20	100	78	55.1	10	12	5	7	20.5	62	41	31	12.7	M10	UC204	CFC204	0.82
UCCFC205	25	115	90	63.6	10	12	6	7	21	70	45	34.1	14.3	M10	UC205	CFC205	1.21
UCCFC206	30	125	100	70.7	10	12	8	8	23	80	47	38.1	15.9	M10	UC206	CFC206	1.51
UCCFC207	35	135	110	77.8	11	14	8	9	26	90	51	42.9	17.5	M12	UC207	CFC207	1.93
UCCFC208	40	145	120	84.8	11	14	10	9	26	100	56	49.2	19	M12	UC208	CFC208	2.38
UCCFC209	45	160	132	93.3	10	16	12	14	26	105	55	49.2	19	M14	UC209	CFC209	3.10
UCCFC210	50	165	138	97.6	10	16	12	14	28	110	59	51.6	19	M14	UC210	CFC210	3.36
UCCFC211	55	185	150	106.1	13	19	12	15	31	125	63	55.6	22.2	M16	UC211	CFC211	4.77
UCCFC212	60	195	160	113.1	17	19	12	15	36	135	74	65.1	25.4	M16	UC212	CFC212	5.77
UCCFC213	65	205	170	120.2	16	19	14	15	36	145	75	65.1	25.4	M16	UC213	CFC213	6.68
UCCFC214	70	215	177	125.1	17	19	14	18	40	150	84	74.6	30.2	M16	UC214	CFC214	8.10
UCCFC215	75	220	184	130.1	18	19	16	18	40	160	86	77.8	33.3	M16	UC215	CFC215	8.61
UCCFC216	80	240	200	141.4	18	23	16	18	42	170	91	82.6	33.3	M20	UC216	CFC216	10.80
UCCFC217	85	250	208	147.1	18	23	18	20	45	180	93	85.7	34.1	M20	UC217	CFC217	13.46
UCCFC218	90	265	220	155.5	22	23	18	20	50	190	104	95	39.7	M20	UC218	CFC218	15.66

UCFCX (Medium-duty)

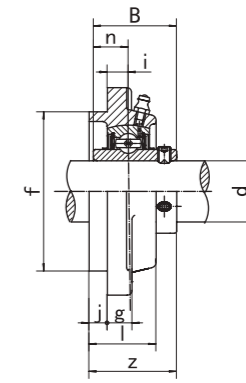
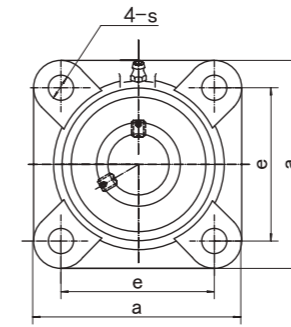


Flange Cartridge Units

Unit NO.	Dimensions (mm / in.)													Bolt Size mm/in.	Bearing No.	Housing No.	Weight (kg)
	d	a	p	(e)	i	s	j	k	g	f	z	B	n				
UCFCX05 X05-13 X05-14 X05-15 X05-16	25 13/16 7/8 15/16 1	111 4-3/8	92 3-5/8	65 2-9/16	10 25/64	9.5 3/8	6 15/64	9.5 3/8	24 15/16	76 2.9921	32.2 1-9/32	38.1 1.5000	15.9 0.626	M8 5/16	UCX05 UCX05-13 UCX05-14 UCX05-15 UCX05-16	FCX05	1.10
UCFCX06 X06-17 X06-18 X06-19 X06-20	30 1-1/16 1-1/8 1-3/16 1-1/4	127 5	105 4-9/64	74.2 2-59/64	8 5/16	12 15/32	9.5 3/8	9.5 3/8	22.5 7/8	85 3.3465	33.4 1-5/16	42.9 1.6890	17.5 0.689	M10 3/8	UCX06 UCX06-17 UCX06-18 UCX06-19 UCX06-20	FCX06	1.40
UCFCX07 X07-21 X07-22 X07-23	35 1-5/16 1-3/8 1-7/16	133 5-1/4	111 4-3/8	78.5 3-3/32	9 23/64	12 15/32	11 7/16	11 7/16	26 1-1/32	92 3.6220	39.2 1-17/32	49.2 1.9370	19 0.748	M10 3/8	UCX07 UCX07-21 UCX07-22 UCX07-23	FCX07	1.80
UCFCX08 X08-24 X08-25	40 1-1/2 1-9/16	133 5-1/4	111 4-3/8	78.5 3-3/32	9 23/64	12 15/32	11 7/16	11 7/16	26 1-1/32	92 3.6220	39.2 1-17/32	49.2 1.9370	19 0.748	M14 3/8	UCX08 UCX08-24 UCX08-25	FCX08	1.80
UCFCX09 X09-26 X09-27 X09-28 X09-29	45 1-5/8 1-11/16 1-3/4 1-13/16	155 6-3/32	130 5-1/8	91.9 3-5/8	8 5/16	14 35/64	12 15/32	11 7/16	25 63/64	108 4.2520	40.6 1-19/32	51.6 2.0315	19 0.748	M12 7/16	UCX09 UCX09-26 UCX09-27 UCX09-28 UCX09-29	FCX09	2.40
UCFCX10 X10-30 X10-31 X10-32	50 1-7/8 1-15/16 2	162 6-3/8	136 5-23/64	96.2 3-25/32	7 9/32	14 35/64	16 5/8	11 7/16	25 63/64	118 4.6457	40.4 1-19/32	55.6 2.1890	22.2 0.874	M12 7/16	UCX10 UCX10-30 UCX10-31 UCX10-32	FCX10	2.90
UCFCX11 X11-33 X11-34 X11-35 X11-36 X11-37	55 2-1/16 2-1/8 2-3/16 2-1/4 2-5/16	180 7-3/32	152 5-63/64	107.5 4-15/64	4 5/32	16 5/8	22 55/64	13 1/2	26 1-1/32	127 5.0000	43.7 1-23/32	55.6 2.5630	25.4 1	M14 1/2	UCX11 UCX11-33 UCX11-34 UCX11-35 UCX11-36 UCX11-37	FCX11	3.80
UCFCX12 X13-38 X13-39	60 2-3/8 2-7/16	194 7-5/8	165 6-1/2	116.7 4-19/32	11 7/16	16 5/8	20 25/32	14 9/16	33 1-5/16	140 5.5118	50.7 2	65.1 2.5630	25.4 1	M14 1/2	UCX12 UCX12-38 UCX12-39	FCX12	4.90
UCFCX13 X13-40 X13-41	65 2-1/2 2-9/16	194 7-5/8	165 6-1/2	116.7 4-19/32	11 7/16	16 5/8	20 25/32	14 9/16	33 1-5/16	140 5.5118	55.4 2-3/16	74.6 2.9370	30.2 1.189	M14 1/2	UCX13 UCX13-40 UCX13-41	FCX13	4.90
UCFC14 X14-42 X14-43 X14-44	70 2-5/8 2-11/16 2-3/4	222 8-3/4	190 7-31/64	134.3 5-9/32	14 35/64	19 3/4	20 25/32	14 9/16	36 1-13/32	164 6.4567	58.5 2-5/16	77.8 3.0630	33.3 1.311	M16 5/8	UCX14 UCX14-42 UCX14-43 UCX14-44	FCX14	6.60
UCFCX15 X15-45 X15-46 X15-47 X15-48	75 2-13/16 2-7/8 2-15/16 3	222 8-3/4	190 7-31/64	134.3 5-9/32	12 15/32	19 3/4	22 55/64	16 5/8	35 1-3/8	164 6.4567	61.3 2-13/32	82.6 3.2520	33.3 1.311	M16 5/8	UCX15 UCX15-45 UCX15-46 UCX15-47 UCX15-48	FCX15	7.20
UCFCX16 X16-49 X16-50 X16-51 X16-52	80 3-1/16 3-1/8 3-3/16 3-1/4	260 10-1/4	219 8-5/8	154.8 6-3/32	10 25/64	23 29/32	25 63/64	19 3/4	36 1-13/32	186 7.3228	61.6 2-7/16	85.7 3.3740	34.1 1.343	M20 3/4	UCX16 UCX16-49 UCX16-50 UCX16-51 UCX16-52	FCX16	10.00
UCFCX17 X17-53 X17-55	85 3-5/16 3-7/16	260 10-1/4	219 8-5/8	154.8 6-3/32	10 25/64	23 29/32	25 63/64	19 3/4	36 1-13/32	186 7.3228	66.3 2-5/8	96 3.7795	39.7 1.563	M20 3/4	UCX17 UCX17-53 UCX17-55	FCX17	11.40

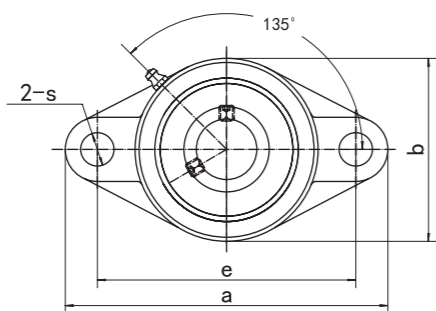
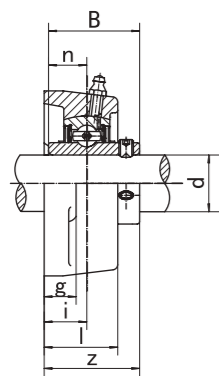
UCFS3 (Heavy-duty)

Flange Units

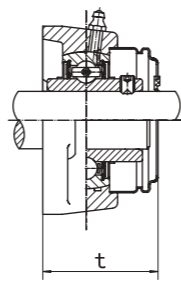


Unit NO.	Dimensions (mm / in.)													Bolt Size mm/in.	Bearing No.	Housing No.	Weight (kg)
	d	a	e	i	s	j	g	l	f	z	B	n					
UCFS305 305-13 305-14 305-15 305-16	25 13/16 7/8 15/16 1	110 4-11/32	80 3-5/32	9 23/64	16 5/8	7 9/32	13 1/2	29 1-9/64	80 3.1496	39 1-17/32	38 1.4961	15 0.591	M14 1/2	UC305 UC305-13 UC305-14 UC305-15 UC305-16	FS305	1.20	
UCFS306 306-17 306-18 306-19	30 1-1/16 1-1/8 1-3/16	125 4-29/32	95 3-47/64	10 25/64	16 5/8	8 5/16	15 19/32	32 1-17/64	90 3.5433	44 1-47/64	43 1.6929	17 0.669	M14 1/2	UC306 UC306-17 UC306-18 UC306-19	FS306	1.80	
UCFS307 307-20 307-21 307-22 307-23	35 1-1/4 1-5/16 1-3/8 1-7/16	135 5-5/16	100 3-15/16	11 7/16	19 3/4	9 23/64	16 5/8	36 1-13/32	100 3.9730	49 1-59/64	48 1.8898	19 0.748	M16 5/8	UC307 UC307-20 UC307-21 UC307-22 UC307-23	FS307	2.20	
UCFS308 308-24 308-25	40 1-1/2 1-9/16	150 5-29/32	112 4-13/32	13 33/64	19 3/4	10 25/64	17 21/32	40 1-9/16	115 4.5276	56 2-13/64	52 2.0472	19 0.748	M16 5/8	UC308 UC308-24 UC308-25	FS308	3.00	
UCFS309 309-26 309-27 309-28	45 1-5/8 1-11/16 1-3/4	160 6-5/16	125 4-59/64	14 35/64	19 3/4	11 7/16	18 23/32	44 1-47/64	125 4.9213	60 2-23/64	57 2.2441	22 0.866	M16 5/8	UC309 UC309-26 UC309-27 UC309-28	FS309	3.80	
UCFS310 310-29 310-30 310-31	50 1-13/16 1-7/8 1-15/16	175 6-7/8	132 5-13/64	16 5/8	23 29/32	12 15/32	19 3/4	48 1-57/64	140 5.5118	67 2-41/64	61 2.4016	22 0.866	M20 3/4	UC310 UC310-29 UC310-30 UC310-31	FS310	5.00	
UCFS311 311-32 311-33 311-34 311-35	55 2 2-1/16 2-1/8 2-3/16	185 7-9/32	140 5-33/64	17 43/64	23 29/32	13 33/64	20 25/32	52 2-3/64	150 5.9055	71 2-51/64	66 2.5984	25.0 0.948	M20 3/4	UC311 UC311-32 UC311-33 UC311-34 UC311-35	FS311	5.90	
UCFS312 312-36 312-37 312-38 312-39	60 2-1/4 2-5/16 2-3/8 2-7/16	195 7-11/16	150 5-29/32	19 3/4	23 29/32	14 35/64	22 7/8	56 2-7/32	160 6.2922	78 3-5/64	71 2.7953	26.0 1.024	M20 3/4	UC312 UC312-36 UC312-37 UC312-38 UC312-39	FS312	7.10	
UCFS313 313-40 313-41	65 2-1/2 2-9/16	208 8-3/16	166 6-17/32	15 19/32	23 29/32	18 45/64	22 55/64	58 2-9/32	175 6.8898	78 3-5/64	75 2.9528	30 1.818	M20 3/4	UC313 UC313-40 UC313-41	FS313	8.70	
UCFS314 314-42 314-43 314-44	70 2-5/8 2-11/16 2-3/4	226 8-29/32	178 6-1/64	18 45/64	25 63/64	18 45/64	25 31/32	61 2-13/32	185 7.2835	81 3-3/16	78 3.0708	33 1.299	M22 7/8	UC314 UC314-42 UC314-43 UC314-44	FS314	10.80	
UCFS315 315-45 315-46 315-47 315-48	75 2-13/16 2-7/8 2-15/16 3	236 9-9/32	184 7-1/4	21 53/64	25 63/64	18 45/64	25 31/32	66 2-19/32	200 7.8740	89 3-1/2	82 3.2283	32.0 1.260	M22 7/8	UC315 UC315-45 UC315-46 UC315-47 UC315-48	FS315	12.30	
UCFS316 316-49 316-50 316-51	80 3-1/16 3-1/8 3-3/16	250 9-27/32	196 7-23/32	18 45/64	31 1-7/32	20 25/32	27 1-1/16	68 2-63/64	210 8.2677	90 3-35/64	86 3.3858	34 1.339	M27 1	UC316 UC316-49 UC316-50 UC316-51	FS316	14.50	
UCFS317 317-52 317-53 317-55	85 3-1/4 3-5/16 3-7/16	260 10-1/4	204 8-1/32	24 15/16	31 1-7/32	20 25/32	27 1-1/16	74 2-29/32	220 8.6614	100 3-15/16	96 9.7795	40 1.575	M27 1	UC317 UC317-52 UC317-53 UC317-55	FS317	16.60	
UCFS318 318-55 318-56	90 3-7/16 3-1/2	280 11-1/32	216 8-1/2	24 15/16	35 1-3/8	20 25/32	30 1-3/16	76 3	240 9.4488	100 3-15/16	96 3.7795	40 1.575	M30 1-1/8	UC318 UC318-55 UC318-56	FS318	20.20	
UCFS319 319-58 319-59 319-60	95 3-5/8 3-11/16 3-3/4	290 11-13/32	228 8-31/32	39 1-17/32	35 1-3/8	20 25/32	30 1-3/16	94 3-45/64	250 9.8425	121 4-49/64	103 4.0551	41 1.614	M30 1-1/8	UC319 UC319-58 UC319-59 UC319-60	FS319	24.30	
UCFS320 320-61 320-62 320-63 320-64	100 3-13/16 3-7/8 3-5/16 4	310 12-7/32	242 9-17/32	39 1-17/32	38 1-1/2	20 25/32	32 1-3/16	94 3-45/64	260 10.2362	125 4-59/64	108 4.2520	42 1.654	M33 1-1/4	UC320 UC320-61 UC320-62 UC320-63 UC320-64	FS320	27.70	

UCFL2 (Normal-duty)



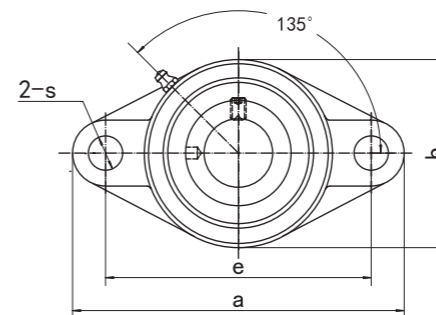
Flange Units (Oval)



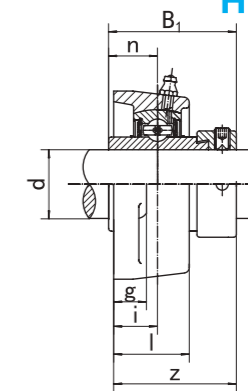
UCFL-C1(D1)

Unit NO.	Dimensions (mm / in.)												Bolt Size mm/in.	Bearing No.	Housing No.	Weight (kg)
	d	a	e	i	g	f	s	b	z	t	B	n				
UCFL201 201-8	12 1/2	113 4-7/16	90 3-35/64	15 19/32	11 7/16	25.5 1	12 15/32	60 2-3/8	33.3 1-5/16	37.5 1-31/64	31.0 1.2205	12.7 0.500	M10 3/8	UC201 UC201-8	FL201	0.45 0.44
UCFL202 202-9 202-10	15 9/16 5/8	113 4-7/16	90 3-35/64	15 19/32	11 7/16	25.5 1	12 15/32	60 2-3/8	33.3 1-5/16	37.5 1-31/64	31.0 1.2205	12.7 0.500	M10 3/8	UC202 UC202-9 UC202-10	FL202	0.44 0.44 0.44
UCFL203 203-11	17 11/16	113 4-7/16	90 3-35/64	15 19/32	11 7/16	25.5 1	12 15/32	60 2-3/8	33.3 1-5/16	37.5 1-31/64	31.0 1.2205	12.7 0.500	M10 3/8	UC203 UC203-11	FL203	0.43 0.42
UCFL204 204-12	20 3/4	113 4-7/16	90 3-5/64	15 19/32	11 7/16	25.5 1	12 15/32	60 2-3/8	33.3 1-5/16	37.5 1-31/64	31.0 1.2205	12.7 0.500	M10 3/8	UC204 UC204-12	FL204	0.40 0.40
UCFL205 205-13 205-14 205-15 205-16	25 13/16 7/8 15/16 1	130 5-1/8	99 3-57/64	16 5/8	13 1/2	27 1-1/16	16 5/8	68 2-11/16	80 1-13/32	40.0 1-9/16	34.1 1.3425	14.3 0.563	M14 1/2	UC205 UC205-13 UC205-14 UC205-15 UC205-16	FL205	0.58 0.62 0.61 0.59 0.58
UCFL206 206-17 206-18 206-19 206-20	30 1-1/16 1-1/8 1-3/16 1-1/4	148 5-13/16	117 4-39/64	18 45/64	13 1/2	31 1-7/32	16 5/8	80 3-5/32	80 1-19/32	44.5 1-3/4	38.1 1.5000	15.9 0.626	M14 1/2	UC206 UC206-17 UC206-18 UC206-19 UC206-20	FL206	0.83 0.84 0.85 0.83 0.82
UCFL207 207-20 207-21 207-22 207-23	35 1-1/4 1-5/16 1-3/8 1-7/16	161 6-11/32	130 5-1/8	19 3/4	14 35/64	34 1-11/32	16 5/8	90 3-35/64	90 1-3/4	44.5 1-29/32	42.9 1.6890	17.5 0.689	M14 1/2	UC207 UC207-20 UC207-21 UC207-22 UC207-23	FL207	1.10 1.16 1.13 1.10 1.07
UCFL208 208-24 208-25	40 1-1/2 1-9/16	175 6-7/8	144 5-43/64	21 53/64	14 35/64	36 1-13/32	16 5/8	100 3-15/16	51.2 2-1/64	55.5 2-3/16	49.2 1.9370	19.0 0.748	M14 1/2	UC208 UC208-24 UC208-25	FL208	1.46 1.43
UCFL209 209-26 209-27 209-28	45 1-5/8 1-11/16 1-3/4	188 7-13/32	148 5-53/64	22 55/64	15 19/32	38 1-1/2	19 3/4	108 4-1/4	52.2 2-1/16	56.5 2-7/32	49.2 1.9370	19.0 0.748	M16 5/8	UC209 UC209-26 UC209-27 UC209-28	FL209	1.75 1.85 1.81 1.77
UCFL210 210-29 210-30 210-31 210-32	50 1-13/16 1-7/8 1-15/16 2	197 7-3/4	157 6-3/16	22 55/64	15 19/32	40 1-37/64	19 3/4	115 4-17/32	54.6 2-5/32	59.5 2-11/32	51.6 2.0315	19.0 0.748	M16 5/8	UC210 UC210-29 UC210-30 UC210-31 UC210-32	FL210	2.02 2.14 2.09 2.04 2.00
UCFL211 211-32 211-33 211-34 211-35	55 2 2-1/16 2-1/8 2-3/16	224 8-13/16	184 7-1/4	25 63/64	18 23/32	43 1-11/16	19 3/4	130 5-1/8	58.4 2-5/16	63.0 2-15/32	55.6 2.1890	22.2 0.874	M16 5/8	UC211 UC211-32 UC211-33 UC211-34 UC211-35	FL211	2.79 2.94 2.88 2.84 2.77
UCFL212 212-36 212-37 212-38 212-39	60 2-1/4 2-5/16 2-3/8 2-7/16	250 9-27/32	202 7-61/64	29 1-9/64	18 23/32	48 1-7/8	23 29/32	140 5-1/2	68.7 2-23/32	73.5 2-57/64	65.1 2.5630	25.4 1.000	M20 3/4	UC212 UC212-36 UC212-37 UC212-38 UC212-39	FL212	3.65 3.78 3.70 3.63 3.56
UCFL213 213-40 213-41	65 2-1/2 2-9/16	258 10-5/32	210 8-17/64	30 1-3/16	22 7/8	50 1-31/32	23 29/32	155 6-3/32	69.7 2-3/4	74.5 2-15/16	65.1 2.5630	25.4 1.000	M20 3/4	UC213 UC213-40 UC213-41	FL213	4.56 4.65 4.56
UCFL214 214-42 214-43 214-44	70 2-5/8 2-11/16 2-3/4	265 10-7/16	216 8-1/2	31 1-7/32	22 7/8	54 2-1/8	23 29/32	160 6-5/16	75.4 2-31/32	81.5 3-13/64	74.6 2.9370	30.2 1.189	M20 3/4	UC214 UC214-42 UC214-43 UC214-44	FL214	5.12 5.33 5.23 5.13
UCFL215 215-45 215-46 215-47 215-48	75 2-13/16 2-7/8 2-15/16 3	275 10-13/16	225 8-55/64	34 1-11/32	22 7/8	56 2-7/32	23 29/32	165 6-1/2	78.5 3-3/32	83.5 3-9/32	77.8 3.0630	33.3 1.311	M20 3/4	UC215 UC215-45 UC215-46 UC215-47 UC215-48	FL215	5.64 5.61 5.86 5.75 5.55
UCFL216 216-49 216-50 216-51	80 3-1/16 3-1/8 3-3/16	290 11-13/32	233 9-11/64	34 1-11/32	22 7/8	58 2-9/32	25 63/64	180 7-3/32	83.3 3-9/32	88.5 3-31/64	82.6 3.2520	33.3 1.311	M22 7/8	UC216 UC216-49 UC216-50 UC216-51	FL216	6.91 7.09 6.96 6.83
UCFL217 217-52 217-53 217-55	85 3-1/4 3-5/16 3-7/16	305 12	248 9-49/64	36 1-27/64	24 15/16	63 2-15/32	25 63/64	190 7-15/32	87.5 3-7/16	92.6 3-41/64	85.7 3.3740	34.1 1.343	M22 7/8	UC217 UC217-52 UC217-53 UC217-55	FL217	8.27 8.39 8.35 8.06
UCFL218 218-56	90 3-1/2	320 12-19/32	265 10-7/16	40 1-37/64	24 15/16	68 2-11/16	25 63/64	205 8-1/16	96.3 3-25/32	101.5 4	96.0 3.7795	39.7 1.5630	M22 7/8	UC218 UC218-56	FL218	10.13 10.24

Flange Units (Oval)

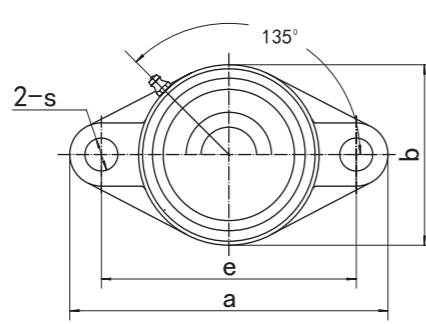
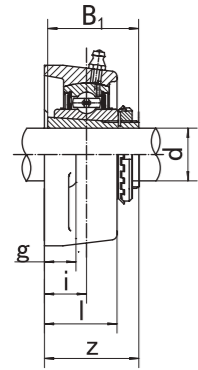


HCFL2 (Normal-duty)

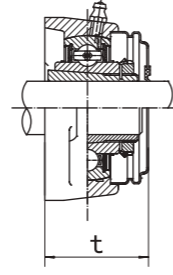


Unit NO.	Dimensions (mm / in.)												Bolt Size mm/in.	Bearing No.	Housing No.	Weight (kg)
	d	a	e	i	g	l	s	b	z	B1	n					
HCFL204 204-12	20 3/4	113 4-7/16	90 3-35/64	15 19/32	11 7/16	25.5 1	12 15/32	60 2-3/8	33.3 1-41/64	37.5 1.720	31.0 0.673	12.7 0.500	M10 3/8	HC204 HC204-12	FL204	0.46 0.46
HCFL205 205-13 205-14 205-15 205-16	25 13/16 7/8 15/16 1	130 5-1/8	99 3-57/64	16 5/8	13 1/2	27 1-1/16	16 5/8	68 2-11/16	80 1-11/16	42.9 1.748	34.1 0.689	14.3 0.563	M14 1/2	HC205 HC205-13 HC205-14 HC205-15 HC205-16	FL205	0.63 0.68 0.67 0.65 0.63
HCFL206 206-17 206-18 206-19 206-20	30 1-1/16 1-1/8 1-3/16 1-1/4	148 5-13/16	117 4-39/64	18 45/64	13 1/2	31 1-7/32	16 5/8	80 3-5/32	80 1-57/64	48.1 1.906	38.1 0.720	15.9 0.626	M14 1/2	HC206 HC206-17 HC206-18 HC206-19 HC206-20	FL206	0.90 0.95 0.92 0.90 0.87
HCFL207 207-20 207-21 207-22 207-23	35 1-1/4 1-5/16 1-3/8 1-7/16	161 6-11/32	130 5-1/8	19 3/4	14 35/64	34 1-11/32	16 5/8	90 3-35/64	44.5 2-1/64	48.5 1-11/32	42.9 1.6890	17.5 0.689	M14 1/2	HC207 HC207-20 HC207-21 HC207-22 HC207-23	FL207	1.24 1.31 1.27 1.24 1.22
HCFL208 208-24 208-25	40 1-1/2 1-9/16	175 6-7/8	144 5-43/64	21 53/64	14 35/64	36 1-13/32	16 5/8	100 3-15/16	51.2 2-1/64	55.5 2-3/16	49.2 1.9370	19.0 0.748	M14 1/2	HC208 HC208-24 HC208-25	FL208	1.60 1.56
HCFL209 209-26 209-27 209-28	45 1-5/8 1-11/16 1-3/4	188 7-13/32	148 5-53/64	22 55/64	15 19/32	38 1-1/2	19 3/4	108 4-1/4	52.2 2-1/16	56.5 2-7/32	49.2 1.9370	19.0 0.748	M16 5/8	HC209 HC209-26 HC209-27 HC209-28	FL209	1.88 1.99 1.94 1.90
HCFL210 210-29 210-30 210-31 210-32	50 1-13/16 1-7/8 1-15/16 2	197 7-3/4	157 6-3/16	22 55/64	15 19/32	40 1-37/64	19 3/4	115 4-17/32	54.6 2-5/32	59.5 2-11/32	51.6 2.0315	19.0 0.748	M16 5/8	HC210 HC210-29 HC210-30 HC210-31 HC210-32	FL210	2.21 2.36 2.30 2.24 2.18
HCFL211 211-32 211-33 211-34 211-35	55 2 2-1/16 2-1/8 2-3/16	224 8-13/16	184 7-1/4	25 63/64	18 23/32	43 1-11/16	19 3/4	130 5-1/8	58.4 2-5/16	63.0 2-15/32	55.6 2.1890	22.2 0.874	M16 5/8	HC211 HC211-32 HC211-33 HC211-34 HC211-35	FL211	3.06 3.36 3.18 3.11 3.03
HCFL212 212-36 212-37 212-38 212-39	60 2-1/4 2-5/16 2-3/8 2-7/16	250 9-27/32	202 7-61/64	29 1-9/64	18 23/32	48 1-7/8	23 29/32	140 5-1/2	68.7 2-23/32	73.5 2-57/64	65.1 2.5630	25.4 1.000	M20 3/4	HC212 HC212-36 HC212-37 HC212-38 HC212-39	FL212	3.97 3.99 4.04 3.97 3.96
HCFL213 213-40 213-41	65 2-1/2 2-9/16	258 10-5/32	210 8-17/64	30 1-3/16	22 7/8	50 1-31/32	23 29/32	155 6-3/32	69.7 2-3/4	74.5 2-15/16	65.1 2.5630	25.4 1.000	M20 3/4	HC213 HC213-40 HC213-41	FL213	5.10 5.20 5.09
HCFL214 214-42 214-43 214-44	70 2-5/8 2-11/16 2-3/4	265 10-7/16	216 8-1/2	31 1-7/32	22 7/8	54 2-1/8	23 29/32	160 6-5/16	75.4 2-31/32	81.5 3-13/64	74.6 2.9370	30.2 1.189	M20 3/4	HC214 HC214-42 HC214-43 HC214-44	FL214	5.53 5.66 5.54
HCFL215 215-45 215-46 215-47 215-48	75 2-13/16 2-7/8 2-15/16 3	275 10-13/16	225 8-55/64	34 1-11/32	22 7/8	56 2-7/32	23 29/32	165 6-1/2	78.5 3-3/32	83.5 3-9/32	77.8 3.0630	33.3 1.311	M20 3/4	HC215 HC215-45 HC215-46 HC215-47 HC215-48	FL215	6.09 6.39 6.26 6.13 5.99
HCFL216 216-49 216-50 216-51	80 3-1/16 3-1/8 3-3/16	290 11-13/32	233 9-11/64	34 1-11/32	22 7/8	58 2-9/32	25 63/64	180 7-3/32	83.3 3-9/32	88.5 3-31/64	82.6 3.2520	33.3 1.311	M22 7/8	HC216 HC216-49 HC216-50 HC216-51	FL216	7.59 7.79 7.65 7.50
HCFL217 217-52 217-53 217-55	85 3-1/4 3-5/16 3-7/16	305 12	248 9-49/64	36 1-27/64	24 15/16	63 2-15/32	25 63/64	190 7-15/32	87.5 3-7/16	92.6 3-41/64	85.7 3.3740	34.1 1.343	M22 7/8	HC217 HC217-52 HC217-53 HC217-55	FL217	8.52 8.71 8.59 8.34
HCFL218 218-56	90 3-1/2	320 12-19/32	265 10-7/16	40 1-37/64	24 15/16	68 2-11/16	25 63/64	205 8-1/16	96.3 3-25/32	101.5 4	96.0 3.7795	39.7 1.5630	M22 7/8	HC218 HC218-56	FL218	9.95 10.04

UKFL2 (Normal-duty)



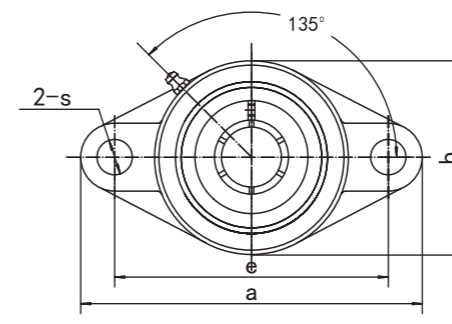
Flange Units (Oval)
(with adapter mounted)



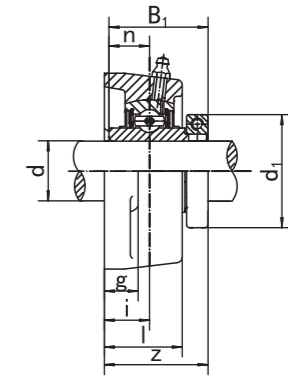
UKFL-C1(D1)

Unit NO.	Dimensions (mm / in.)											Bolt Size mm/in.	Bearing No.	Housing No.	Weight (kg)
	d	a	e	i	g	l	s	b	z	t	B1				
UKFL205;H2305 205;HE2305	20 3/4	130 5-1/8	99 3-57/64	16 5/8	13 1/2	27 1-1/16	16 5/8	68 2-11/16	35.5 1-25/64	40 1-9/16	35 1.378	M14 1/2	UK205;H2305 UK205;HE2305	FL205	0.63
UKFL206;H2306 206;HS2306 206;HE2306	25 7/8 1	148 5-13/16	117 4-39/64	18 45/64	13 1/2	31 1-7/32	16 5/8	80 3-5/32	39 1-17/32	44.5 1-3/4	38 1.496	M14 1/2	UK206;H2306 UK206;HS2306 UK206;HE2306	FL206	0.89
UKFL207;H2307 207;HS2307	30 1-1/8	161 6-11/32	130 5-1/8	19 3/4	14 35/64	34 1-11/32	16 5/8	90 3-35/64	42.5 1-43/64	48.5 1-29/32	43 1.693	M14 1/2	UK207;H2307 UK207;HS2307	FL207	1.17
UKFL208;H2308 208;HE2308 208;HS2308	35 1-1/4 1-3/8	175 6-7/8	144 5-43/64	21 53/64	14 35/64	36 1-13/32	16 5/8	100 3-15/16	46.5 1-53/64	55.5 2-3/16	46 1.811	M14 1/2	UK208;H2308 UK208;HE2308 UK208;HS2308	FL208	1.49
UKFL209;H2309 209;HA2309 209;HE2309 209;HS2309	40 1-7/16 1-1/2 1-5/8	188 7-13/32	148 5-53/64	22 55/64	15 19/32	38 1-1/2	19 3/4	108 4-1/4	48.5 1-29/32	56.5 2-7/32	50 1.969	M16 5/8	UK209;H2309 UK209;HA2309 UK209;HE2309 UK209;HS2309	FL209	1.87
UKFL210;H2310 210;HS2310 210;HA2310 210;HE2310	45 1-5/8 1-11/16 1-3/4	197 7-3/4	157 6-3/16	22 55/64	15 19/32	40 1-37/64	19 3/4	115 4-17/32	50 1-31/32	59.5 2-11/32	55 2.165	M16 5/8	UK210;H2310 UK210;HS2310 UK210;HA2310 UK210;HE2310	FL210	2.19
UKFL211;H2311 211;HS2311 211;HA2311 211;HE2311	50 1-7/8 1-15/16 2	224 8-13/16	184 7-1/4	25 63/64	18 23/32	43 1-11/16	19 3/4	130 5-1/8	54.5 2-9/64	63 2-15/32	59 2.323	M16 5/8	UK211;H2311 UK211;HS2311 UK211;HA2311 UK211;HE2311	FL211	2.95
UKFL212;H2312 212;HS2312	55 2-1/8	250 9-27/32	202 7-61/64	29 1-9/64	18 23/32	48 1-7/8	23 29/32	140 5-1/2	61 2-13/32	73.5 2-57/64	62 2.441	M20 3/4	UK212;H2312 UK212;HS2312	FL212	3.73
UKFL213;H2313 213;HA2313 213;HE2313 213;HS2313	60 2-3/16 2-1/4 2-3/8	258 10-5/32	210 8-17/64	30 1-3/16	22 7/8	50 1-31/32	23 29/32	155 6-3/32	64 2-33/64	74.5 2-15/16	65 2.559	M20 3/4	UK213;H2313 UK213;HA2313 UK213;HE2313 UK213;HS2313	FL213	4.67
UKFL215;H2315 215;HA2315 215;HE2315	65 2-7/16 2-1/2	275 10-13/16	225 8-55/64	34 1-11/32	22 7/8	56 2-7/32	23 29/32	165 6-1/2	71 2-51/64	83.5 3-9/32	73 2.874	M20 3/4	UK215;H2315 UK215;HA2315 UK215;HE2315	FL215	6.00
UKFL216;H2316 216;HA2316 216;HE2316	70 2-11/16 2-3/4	290 11-13/32	233 9-11/64	34 1-11/32	22 7/8	58 2-9/32	25 63/64	180 7-3/32	73.5 2-57/64	88.5 3-31/64	78 3.071	M22 7/8	UK216;H2316 UK216;HA2316 UK216;HE2316	FL216	7.34
UKFL217;H2317 217;HA2317 217;HE2317	75 2-15/16 3	305 12	248 9-49/64	36 1-27/64	24 15/16	63 2-15/32	25 63/64	190 7-15/32	77 3-1/32	92.6 3-41/64	82 3.228	M22 7/8	UK217;H2317 UK217;HA2317 UK217;HE2317	FL217	8.68
UKFL218;H2318 218;HA2318	80 3-3/16	320 12-19/32	265 10-7/16	40 1-37/64	24 15/16	68 2-11/16	25 63/64	205 8-1/16	81.5 3-13/64	101.5 4	86 3.386	M22 7/8	UK218;H2318 UK218;HA2318	FL218	10.43

Flange Units (Oval)



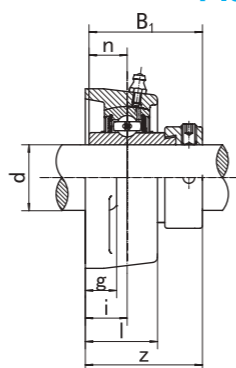
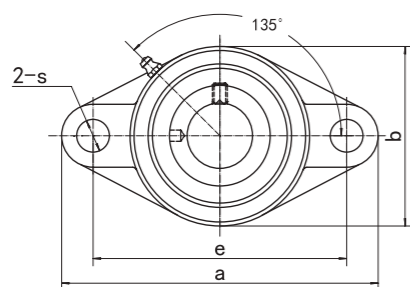
NCFL2 (Normal-duty)



Unit NO.	Dimensions (mm / in.)													Bolt Size mm/in.	Bearing No.	Housing No.	Weight (kg)
	d	d1	a	e	i	g	l	s	b	z	B1	n					
NCFL204 204-12	20 3/4	44.5 1-3/4	113 4-7/16	90 3-35/64	15 19/32	11 7/16	25.5 1	12 15/32	60 2-3/8	34.8 1-3/8	32.5 1.279	33.4 1.315	M10 3/8	NC204 NC204-12	FL204	0.55	
NCFL205 205-14 205-15 205-16	25 7/8 15/16 1	49.2 1-15/16	130 5-1/8	99 3-57/64	16 5/8	13 1/2	27 1-1/16	16 5/8	68 2-11/16	38.2 1-1/2	36.5 1.437	14.3 0.563	M14 1/2	NC205 NC205-14 NC205-15 NC205-16	FL205	0.79	
NCFL206 206-18 206-19 206-20	30 1-1/8 1-3/16 1-1/4	55.6 2-3/16	148 5-13/16	117 4-39/64	18 45/64	13 1/2	31 1-7/32	16 5/8	80 3-5/32	41.8 1-21/32	39.7 1.563	15.9 0.626	M14 1/2	NC206 NC206-18 NC206-19 NC206-20	FL206	1.03	
NCFL207 207-20 207-22 207-23	35 1-1/4 1-3/8 1-7/16	65.1 2-7/16	161 6-11/32	130 5-1/8	19 3/4	14 35/64	34 1-11/32	16 5/8	90 3-35/64	46.0 1-13/16	44.5 1.752	17.5 0.740	M14 1/2	NC207 NC207-20 NC207-22 NC207-23	FL207	1.45	
NCFL208 208-24	40 1-1/2	68.3 2-11/16	175 6-7/8	144 5-1/8	21 53/64	14 35/64	36 1-13/32	16 5/8	100 3-15/16	52.8 2-3/32	50.8 2	19.0 0.748	M14 1/2	NC208 NC208-24	FL208	1.82	
NCFL209 209-26 209-27 209-28	45 1-5/8 1-11/16 1-3/4	74.6 2-13/16	188 7-15/32	148 5-53/64	22 55/64	15 19/32	38 1-1/2	19 3/4	108 4-1/4	53.8 2-1/8	50.8 2	19.0 0.748	M16 5/8	NC209 NC209-26 NC209-27 NC209-28	FL209	2.20	
NCFL210 210-31 210-32	50 1-15/16 2	85.7 3-3/8	197 7-3/4	157 6-3/16	22 55/64	15 19/32	40 1-37/64	19 3/4	115 4-17/32	56.1 2-7/32	53.1 2.091	19.0 0.748	M16 5/8	NC210 NC210-31 NC210-32	FL210	2.67	
NCFL211 211-32 211-35	55 2 2-3/8	92.1 1-1/2 3-5/8	224 8-13/16	184 7-1/4	25 63/64	18 23/32	43 1-11/16	19 3/4	130 5-1/8	59.9 2-21/32	57.1 2.248	22.2 0.874	M16 5/8	NC211 NC211-32 NC211-35	FL211	3.30 3.55	
NCFL212 212-36 212-39	60 2-1/4 2-7/16	104.8 4-1/16 4-1/8	250 9-27/32	202 7-61/64	29 1-9/64	18 23/32	48 1-7/8	23 29/32	140 5-1/2	70.3 2-25/32	66.7 2.626	25.4 1.000	M20 3/4	NC212 NC212-36 NC212-39	FL212	4.46	

HCFLU2 (Normal-duty)

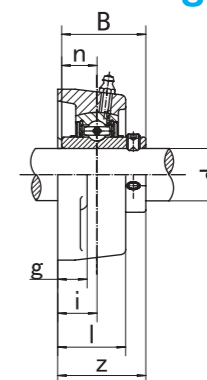
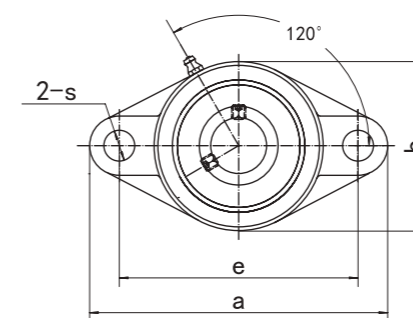
Flange Units (Oval)



Unit NO.	Dimensions (mm / in.)											Bolt Size mm/in.	Bearing No.	Housing No.	Weight (kg)
	d	a	e	i	g	l	s	b	z	B ₁	n				
HCFLU204 204-12	20 3/4	113 4-7/16	90 3-35/64	19 3/4	15 19/32	29.5 1-5/32	12 15/32	60 2-3/8	45.6 1-51/64	43.7 1.720	17.1 0.673	M10 3/8	HC204 HC204-12	FLU204	0.51 0.51
HCFLU205 205-13 205-14 205-15 205-16	25 13/16 7/8 15/16 1	123 4-27/32	99 3-57/64	19 3/4	15 19/32	30 1-11/64	12 15/32	68 2-11/16	45.9 1-13/16	44.4 1.748	17.5 0.689	M10 3/8	HC205 HC205-13 HC205-14 HC205-15 HC205-16	FLU205	0.63 0.68 0.67 0.65 0.63
HCFLU206 206-17 206-18 206-19 206-20	30 1-1/16 1-1/8 1-3/16 1-1/4	142 5-9/32	116.5 4-19/32	20 25/32	16 5/8	33 1-9/32	12 15/32	80 3-5/32	50.1 1-31/32	48.4 1.906	18.3 0.720	M10 3/8	HC206 HC206-17 HC206-18 HC206-19 HC206-20	FLU206	0.92 0.97 0.94 0.92 0.89
HCFLU207 207-20 207-21 207-22 207-23	35 1-1/4 1-5/16 1-3/8 1-7/16	158 6-7/32	130 5-1/8	21 53/64	17 43/64	36 1-27/64	14 35/64	90 3-35/64	53.3 2-3/32	51.1 2.012	18.8 0.740	M12 7/16	HC207 HC207-20 HC207-21 HC207-22 HC207-23	FLU207	1.26 1.33 1.29 1.26 1.24
HCFLU208 208-24 208-25	40 1-1/2 1-9/16	172 6-49/64	143.5 5-21/32	24 15/16	17 43/64	39 1-17/32	14 35/64	100 3-15/16	58.9 2-5/16	56.3 2.217	21.4 0.843	M12 7/16	HC208 HC208-24 HC208-25	FLU208	1.61 1.66 1.62
HCFLU209 209-26 209-27 209-28	45 1-5/8 1-11/16 1-3/4	180 7-3/32	148.5 5-27/32	24 15/16	18 45/64	40 1-37/64	16 5/8	108 4-1/4	58.9 2-5/16	56.3 2.217	21.4 0.843	M14 1/2	HC209 HC209-26 HC209-27 HC209-28	FLU209	1.88 1.99 1.94 1.90
HCFLU210 210-29 210-30 210-31 210-32	50 1-13/16 1-7/8 1-15/16 2	190 7-31/64	157 6-3/16	28 1-7/64	20 25/32	45 1-49/64	18 45/64	114 4-31/64	66.1 2-39/64	62.7 2.469	24.6 0.969	M16 5/8	HC210 HC210-29 HC210-30 HC210-31 HC210-32	FLU210	2.22 2.37 2.31 2.25 2.19
HCFLU211 211-32 211-33 211-34 211-35	55 2 2-1/16 2-1/8 2-3/16	217 8-35/64	184 7-1/4	31 7/32	21 53/64	48 1-57/64	18 45/64	128 5-3/64	74.6 2-5/16	71.4 2.811	27.8 1.094	M16 5/8	HC211 HC211-32 HC211-33 HC211-34 HC211-35	FLU211	3.06 3.36 3.18 3.11 3.03
HCFLU212 212-36 212-37 212-38 212-39	60 2-1/4 2-5/16 2-3/8 2-7/16	237 9-21/32	202 7-61/64	34 1-11/32	21 53/64	53 2-3/32	18 45/64	138 5-7/16	80.8 3-3/16	77.8 3.063	31 1.220	M16 5/8	HC212 HC212-36 HC212-37 HC212-38 HC212-39	FLU212	3.87 3.89 3.94 3.87 3.86
HCFLU213 213-40 213-41	65 2-1/2 2-9/16	256 10-1/16	210 8-17/64	38 1-1/2	22 55/64	57 2-1/4	21 53/64	152 5-63/64	89.6 3-17/32	85.7 3.374	34.1 1.343	M18 23/32	HC213 HC213-40 HC213-41	FLU213	5.10 5.20 5.09
HCFLU214 214-42 214-43 214-44	70 2-5/8 2-11/16 2-3/4	264 10-25/64	216 8-1/2	38 1-1/2	23 29/32	58 2-9/32	21 53/64	157 6-3/16	89.6 3-17/32	85.7 3.374	34.1 1.343	M18 23/32	HC214 HC214-42 HC214-43 HC214-44	FLU214	5.45 5.39 5.58 5.46
HCFLU215 215-45 215-46 215-47 215-48	75 2-13/16 2-7/8 2-15/16 3	275 10-53/64	225 8-55/64	41 1-39/64	24 15/16	62 2-7/16	21 53/64	164 6-29/64	95.8 3-49/64	92.1 3.626	37.3 1.469	M18 23/32	HC215 HC215-45 HC215-46 HC215-47 HC215-48	FLU215	6.30 6.60 6.47 6.34 6.20

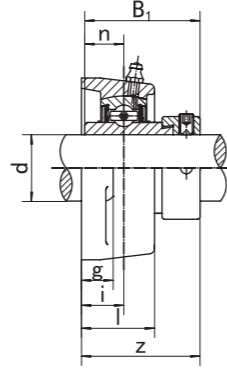
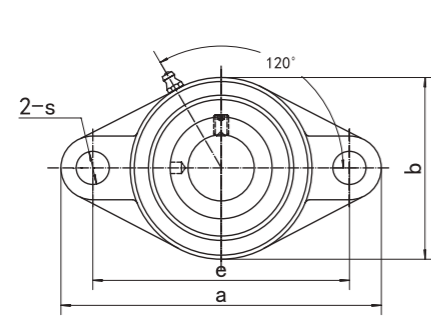
UCFT2 (Normal-duty)

Flange Units (Oval)



Unit NO.	Dimensions (mm / in.)												Bolt Size mm/in.	Bearing No.	Housing No.	Weight (kg)
	d	a	e	i	g	l	s	b	z	B	n					
UCFT204 204-12	20 3/4	112 4-13/32	89.5 3-33/64	19.0 3/4	11.0 7/16	29.0 1-9/64	10.5 27/64	60.0 2-3/8	37.3 1-15/32	31.0 1.2205	12.7 0.500	M8 5/16	UC204 UC204-12	FT204	0.45 0.45	
UCFT205 205-13 205-14 205-15 205-16	25 13/16 7/8 15/16 1	124 4-7/8	99.0 3-57/64	20.0 25/32	13.0 1/2	31.0 1-7/32	13.0 33/64	70.0 2-3/4	39.8 1-37/64	34.1 1.3425	14.3 0.563	M10 3/8	UC205 UC205-13 UC205-14 UC205-15 UC205-16	FT205	0.63 0.67 0.66 0.64 0.63	
UCFT206 206-17 206-18 206-19 206-20	30 1-1/16 1-1/8 1-3/16 1-1/4	141 5-35/64	116.5 4-37/64	21.0 53/64	13.0 1/2	34.0 1-11/32	13.0 33/64	82.0 3-15/64	43.2 1-45/64	38.1 1.5000	15.9 0.626	M10 3/8	UC206 UC206-17 UC206-18 UC206-19 UC206-20	FT206	0.89 0.90 0.91 0.89 0.88	
UCFT207 207-20 207-21 207-22 207-23	35 1-1/4 1-5/16 1-3/8 1-7/16	156 6-9/64	130.0 5-1/8	21.5 27/32	14.0 35/64	36.5 1-7/16	14.0 35/64	95.0 3-47/64	46.9 1-27/32	42.9 1.6890	17.5 0.689	M12 7/16	UC207 UC207-20 UC207-21 UC207-22 UC207-23	FT207	1.25 1.32 1.29 1.26 1.23	
UCFT208 208-24 208-25	40 1-1/2 1-9/16	171 6-47/64	143.5 5-21/32	24.0 61/64	14.0 35/64	39.0 1-17/32	14.0 35/64	105.0 4-9/64	54.2 2-9/64	49.2 1.9370	19.0 0.748	M12 7/16	UC208 UC208-24 UC208-25	FT208	1.61 1.65 1.62	
UCFT209 209-26 209-27 209-28	45 1-5/8 1-11/16 1-3/4	179 7-3/64	148.5 5-55/64	24.0 61/64	14.0 35/64	40.0 1-37/64	16.0 5/8	111.0 4-3/8	54.2 2-9/64	49.2 1.9370	19.0 0.748	M14 1/2	UC209 UC209-26 UC209-27 UC209-28	FT209	1.81 1.91 1.87 1.83	
UCFT210 210-29 210-30 210-31 210-32	50 1-13/16 1-7/8 1-15/16 2	189 7-7/16	157.0 6-3/16	28.5 1-1/8	14.0 35/64	47.0 1-27/32	16.0 5/8	116.0 4-9/16	61.1 2-13/32	51.6 2.0315	19.0 0.748	M14 1/2	UC210 UC210-29 UC210-30 UC210-31 UC210-32	FT210	2.15 2.27 2.22 2.17 2.13	
UCFT211 211-32 211-33 211-34 211-35	55 2 2-1/16 2-1/8 2-3/16	216 8-1/2	184.0 7-1/4	32.0 1-17/64	20.0 25/32	50.0 1-31/32	18.0 45/64	133.0 5-15/64	65.4 2-37/64	55.6 2.1890	22.2 0.874	M16 5/8	UC211 UC211-32 UC211-33 UC211-34 UC211-35	FT211	3.20 3.35 3.29 3.25 3.18	
UCFT212 212-36 212-37 212-38 212-39	60 2-1/4 2-5/16 2-3/8 2-7/16	235 9-1/4	202 7-61/64	34 1-9/64	21 53/64	53 2-3/32	18 23/32	138 5-7/16	73.7 2-29/32	65.1 2.5630	25.4 1.000	M16 5/8	UC212 UC212-36 UC212-37 UC212-38 UC212-39	FT212	4.00 4.13 4.05 3.98 3.91	
UCFT213 213-40 213-41	65 2-1/2 2-9/16	248 9-49/64	210 8-17/64	38 1-1/2	22 55/64	56 2-13/64	20.5 13/16	152 5-63/64	77.7 3-1/16	65.1 2.5630	25.4 1.000	M18 23/32	UC213 UC213-40 UC213-41	FT213	4.72 4.81 4.72	
UCFT214 214-42 214-43 214-44	70 2-5/8 2-11/16 2-3/4	257 10-7/16	216 8-1/2	38 1-1/2	23 29/32	58 2-9/32	23 29/32	157 6-3/16	82.4 3-1/4	74.6 2.9370	30.2 1.189	M20 3/4	UC214 UC214-42 UC214-43 UC214-44	FT214	5.27 5.48 5.38 5.28	

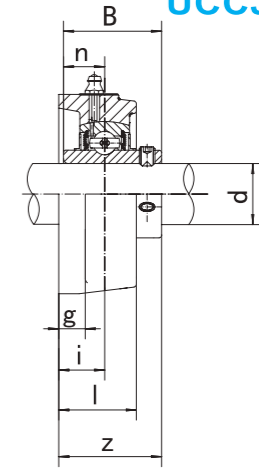
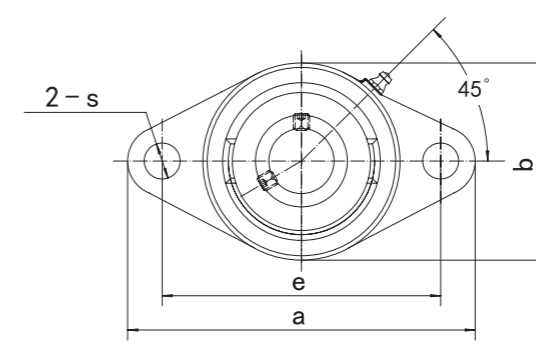
HCFT2 (Normal-duty)



Flange Units (Oval)

Unit NO.	Dimensions (mm / in.)											Bolt Size mm/in.	Bearing No.	Housing No.	Weight (kg)
	d	a	e	i	g	l	s	b	z	B ₁	n				
HCFT204	20	112	89.5	19	11.0	29.0	10.5	60	45.6	43.7	17.1	M8	HC204	FT204	0.50
204-12	3/4	4-13/32	3-33/64	3/4	7/16	1-9/64	27/64	2-3/8	1-51/64	1.720	0.673	5/16	HC204-12		0.50
HCFT205	25	124	99.0	20	13	31	13	70	46.9	44.4	17.5	M10	HC205	FT205	0.69
205-13	13/16												HC205-13		0.74
205-14	7/8	4-7/8	3-57/64	25/32	1/2	1-7/32	33/64	2-3/4	1-27/32	1.748	0.689	3/8	HC205-14		0.73
205-15	15/16												HC205-15		0.71
205-16	1												HC205-16		0.69
HCFT206	30	141	116.5	21	13	34	13	82	51.1	48.4	18.3	M10	HC206	FT206	0.96
206-17	1-1/16												HC206-17		1.01
206-18	1-1/8	5-35/64	4-37/64	53/64	1/2	1-11/32	33/64	3-15/64	2-1/64	1.906	0.720	3/8	HC206-18		0.98
206-19	1-3/16												HC206-19		0.96
206-20	1-1/4												HC206-20		0.93
HCFT207	35	156	130.0	21.5	14	36.5	14	95	53.8	51.1	18.8	M12	HC207	FT207	1.39
207-20	1-1/4												HC207-20		1.46
207-21	1-5/16	6-9/64	5-1/8	27/32	35/64	1-7/16	35/64	3-47/64	2-1/8	2.012	0.740	7/16	HC207-21		1.42
207-22	1-3/8												HC207-22		1.39
207-23	1-7/16												HC207-23		1.37
HCFT208	40	171	143.5	24	14	39	14	105	58.9	56.3	21.4	M12	HC208	FT208	1.74
208-24	1-1/2	6-47/64	5-21/32	61/64	35/64	1-17/32	35/64	4-9/64	2-5/16	2.217	0.843	7/16	HC208-24		1.79
208-25	1-9/16												HC208-25		1.75
HCFT209	45	179	148.5	24	14	40	16	111	58.9	56.3	21.4	M14	HC209	FT209	1.94
209-26	1-5/8	7-3/64	5-55/64	61/64	35/64	1-37/64	5/8	4-3/8	2-5/16	2.217	0.843	1/2	HC209-26		2.05
209-27	1-11/16												HC209-27		2.00
209-28	1-3/4												HC209-28		1.96
HCFT210	50	189	157	28.5	14	47	16	116	66.6	62.7	24.6	M14	HC210	FT210	2.34
210-29	1-13/16												HC210-29		2.49
210-30	1-7/8	7-7/16	6-3/16	1-1/8	35/64	1-27/32	5/8	4-9/16	2-5/8	2.469	0.969	1/2	HC210-30		2.43
210-31	1-15/16												HC210-31		2.37
210-32	2												HC210-32		2.31
HCFT211	55	216	184	32	20	50	18	133	75.6	71.4	27.8	M16	HC211	FT211	3.47
211-32	2												HC211-32		3.77
211-33	2-1/16	8-1/2	7-1/4	1-17/64	25/32	1-31/32	45/64	5-15/64	2-31/32	2.811	1.094	5/8	HC211-33		3.59
211-34	2-1/8												HC211-34		3.52
211-35	2-3/16												HC211-35		3.44
HCFT212	60	235	202	34	21	53	18	138	80.8	77.8	31	M16	HC212	FT212	4.32
212-36	2-1/4												HC212-36		4.33
212-37	2-5/16	9-1/4	7-61/64	1-9/64	53/64	2-3/32	45/64	5-7/16	2-3/16	3.063	1.220	5/8	HC212-37		4.39
212-38	2-3/8												HC212-38		4.32
212-39	2-7/16												HC212-39		4.31
HCFT213	65	248	210	38	22	56	20.5	152	89.6	85.7	34.1	M18	HC213	FT213	5.26
213-40	2-1/2	9-49/64	8-17/64	1-1/2	55/64	2-13/64	13/16	5-63/64	3-17/32	3.374	1.343	23/32	HC213-40		5.36
213-41	2-9/16												HC213-41		5.25
HCFT214	70	257	216	38	23	58	23	157	89.6	85.7	34.1	M20	HC214	FT214	5.68
214-42	2-5/8												HC214-42		5.62
214-43	2-11/16	10-7/16	8-1/2	1-1/2	29/32	2-9/32	29/32	6-3/16	3-17/32	3.374	1.343	3/4	HC214-43		5.81
214-44	2-3/4												HC214-44		5.69

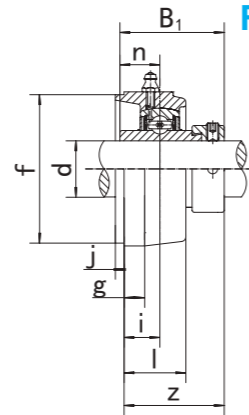
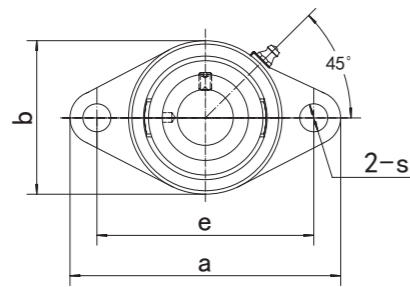
Flange Units (Oval)



UCCJT2 (Normal-duty)

Unit NO.	Dimensions (mm / in.)											Bolt Size mm/in.	Bearing No.	Housing No.	Weight (kg)
	d	a	e	i	g	l	s	b	z	B	n				
UCCJT201	12	99	76.5	17	9.5	25	11.5	57	32.9	27.4	11.5	M10	UCS201RG	CJT201	0.37
UCCJT202	15	3-57/64	3-1/64	43/64	3/8	63/64	29/64	2-1/4	1-19/64	1.0787	0.453	3/8	UCS202RG	CJT202	0.36
UCCJT203	17												UCS203RG	CJT203	0.35
UCCJT204	20	112	90	19	10	28	11.5	61	37.3	31	12.7	M10	UC204RG	CJT204	0.45
		4-13/32	3-35/64	3/4	25/64	1-7/64	29/64	2-13/32	1-15/32	1.2205	0.500	3/8			
UCCJT205	25	124	99	19	11	29	11.5	70	38.8	34.1	14.3	M10	UC205RG	CJT205	0.61
		4-7/8	3-57/64	3/4	7/16	1-9/64	29/64	2-3/4	1-17/32	1.3425	0.563	3/8			
UCCJT206	30	142	116.5	20	12	30	11.5	80	42.2	38.1	15.9	M10	UC206RG	CJT206	0.83
		5-19/32	4-19/32	25/32	15/32	1-3/16	29/64	3-5/32	1-21/32	1.5000	0.626	3/8			
UCCJT207	35	155	130	21	12.5	32	14	92	46.4	42.9	17.5	M12	UC207RG	CJT207	1.14
		6-7/64	5-1/8	53/64	31/64	1-17/64	35/64	3-5/8	1-53/64	1.6890	0.689	1/2			
UCCJT208	40	172	143.5	24	13	35	14	105	54.2	49.2	19	M12	UC208RG	CJT208	1.62
		6-49/64	5-43/64	61/64	33/64	1-3/8	35/64	4-9/64	2-9/64	1.9370	0.748	1/2			
UCCJT209	45	180	148.5	24	13	36	14	111	54.2	49.2	19	M12	UC209RG	CJT209	1.75
		7-5/32	5-53/64	61/64	33/64	1-27/64	35/64	4-3/8	2-9/64	1.9370	0.748	1/2			
UCCJT210	50	190	157	28	13	41	18	116	60.6	51.6	19	M16	UC210RG	CJT210	2.05
		7-31/64	6-3/16	1-7/64	33/64	1-5/8	45/64	4-9/16	2-25/64	2.0315	0.748	5/8			
UCCJT211	55	222	184	31	15	44	18	134	64.4	55.6	22.2	M16	UC211RG	CJT211	3.12
		8-47/64	4-39/64	1-7/32	19/32	1-47/64	45/64	5-9/32	2-17/32	2.1890	0.874	5/8			
UCCJT212	60	238	202	34	16	48	18	138	73.7	65.1	25.4	M16	UC212RG	CJT212	3.59
		9-3/8	5-1/8	1-11/32	5/8	1-57/64	45/64	5-7/16	2-29/32	2.5630	1.000	5/8			
UCCJT213	65	258	216	38	18	57	21	160	77.7	65.1	25.4	M18	UC213RG	CJT213	5.47
		10-5/32	8-1/2	1-1/2	45/64	2-1/4	53/64	6-19/64	3-1/16	2.5630	1.000	23/32			
UCCJT214	70	258	216	38	18	57	21	160	82.5	74.6	30.2	M18	UC214RG	CJT214	5.86
		10-5/32	8-1/2	1-1/2	45/64	2-1/4	53/64	6-19/64	3-1/4	2.9370	1.189	23/32			
UCCJT215	75	258	216	38	18	57	21	160	82.5	77.8	33.3	M18	UC215RG	CJT215	5.68
		10-5/32	8-1/2	1-1/2	45/64	2-1/4	53/64	6-19/64	3-1/4	3.0630	1.311	23/32			

HCCJTZ2 (Normal-duty)

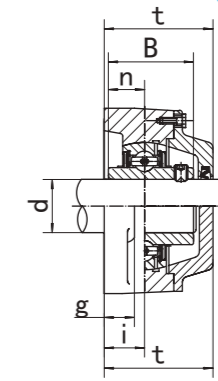
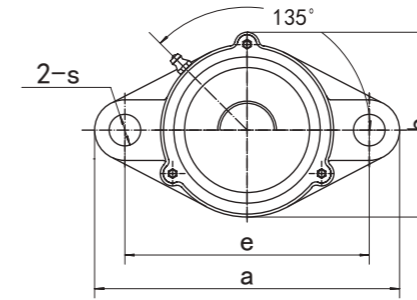


Flange Units (Oval)

Unit NO.	Dimensions (mm / in.)													Bolt Size mm/in.	Bearing No.	Housing No.	Weight (kg)
	d	a	e	i	g	l	s	j	b	f	z	B ₁	n				
HCCJTZ204	20	112.5	90	19	10	31.7	11.5	3.5	60.5	55	45.6	43.7	17.1	M10	HC204RG	CJTZ204	0.54
		4-7/16	3-35/64	3/4	25/64	1-1/4	29/64	9/64	2-13/32	2-11/64	1-51/64	1.720	0.673				
HCCJTZ205	25	124	99	19	12	28	11.5	3.5	70	60	45.9	44.4	17.5	M10	HC205RG	CJTZ205	0.64
		4-7/8	3-57/64	3/4	15/32	1-3/32	29/64	9/64	2-3/4	2-23/64	1-13/16	1.748	0.689				
HCCJTZ206	30	142	116.5	17	12	27	11.5	3	83	80	47.1	48.4	18.3	M10	HC206RG	CJTZ206	0.91
		5-19/32	4-19/32	43/64	15/32	1-1/16	29/64	1/8	3-17/64	3-5/32	1-55/64	1.906	0.720				
HCCJTZ207	35	155	130	17	12.5	27	14	4	94	90	49.3	51.1	18.8	M12	HC207RG	CJTZ207	1.27
		6-7/64	5-1/8	43/64	31/64	1-1/16	35/64	5/32	3-45/64	3-35/64	1-15/16	2.012	0.740				
HCCJTZ208	40	172	143.5	20	13	30.5	14	4	105	100	54.9	56.3	21.4	M12	HC208RG	CJTZ208	1.71
		6-49/64	5-43/64	25/32	33/64	1-13/64	35/64	5/32	4-9/64	3-5/16	2-5/32	2.217	0.843				
HCCJTZ209	45	180	148.5	20	13	31	14	4	111	105	54.9	56.3	21.4	M12	HC209RG	CJTZ209	1.88
		7-5/32	5-53/64	25/32	33/64	1-7/32	35/64	5/32	4-3/8	4-9/64	2-5/32	2.217	0.843				
HCCJTZ210	50	190	157	24	13	36	14	4	116	105	62.1	62.7	24.6	M12	HC210RG	CJTZ210	2.18
		7-31/64	6-3/16	15/16	33/64	1-27/64	35/64	5/32	4-9/16	4-9/64	2-7/16	2.469	0.969				
HCCJTZ212	60	238	202	30	16	43	18	4	138	130	76.8	77.8	31	M16	HC212RG	CJTZ212	3.68
		9-3/8	5-1/8	1-3/16	5/8	1-11/16	45/64	5/32	5-7/16	5-1/8	3-1/32	3.063	1.220				

UCCFL2 (Normal-duty)

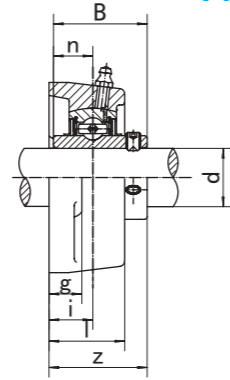
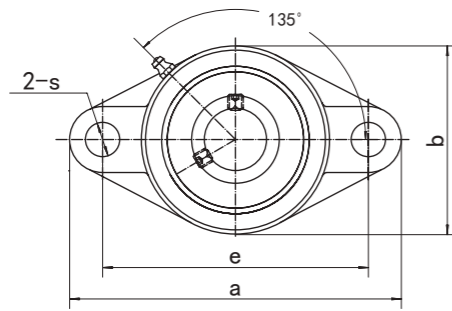
Flange Units (Oval)



Unit NO.	Dimensions (mm / in.)											Bolt Size mm/in.	Bearing No.	Housing No.	Weight (kg)	
	d	a	e	i	g	s	b	t	B	n						
UCCFL204	20	113	90	15	11	12	66	46	31	12.7	12.205	12.7	M10	UC204	CFL204	0.60
		4-7/16	3-35/64	19/32	7/16	15/32	2-19/32	1-13/16	1.2205	0.500	3/8					
UCCFL205	25	130	99	16	13	16	73	51	34.1	14.3	14.3	M14	UC205	CFL205	0.92	
		13/16	7/8	5-1/8	3-57/64	5/8	1/2	5/8	2-7/8	2-1/64	1.3425	0.563				1/2
UCCFL206	30	148	117	18	13	16	84	55	38.1	15.9	15.9	M14	UC206	CFL206	1.23	
		1-1/16	1-1/8	5-13/16	4-39/64	45/64	1/2	5/8	3-15/16	1-11/64	1.5000	0.626				1/2
UCCFL207	35	161	130	19	14	16	94	59	42.9	17.5	17.5	M14	UC207	CFL207	1.67	
		1-1/4	1-5/16	6-11/32	5-1/8	3/4	35/64	5/8	3-45/64	1-21/64	1.6890	0.689				1/2
UCCFL208	40	175	144	21	14	16	104	66	49.2	19	19	M14	UC208	CFL208	2.20	
		1-1/2	1-9/16	6-7/8	5-43/64	53/64	35/64	5/8	3-3/32	2-19/32	1.9370	0.748				1/2
UCCFL209	45	188	148	22	15	19	113	67	49.2	19	19	M16	UC209	CFL209	2.60	
		1-5/8	1-11/16	7-13/32	5-53/64	55/64	19/32	3/4	4-29/64	2-41/64	1.9370	0.748				5/8
UCCFL210	50	197	157	22	15	19	120	71	51.6	19	19	M16	UC210	CFL210	2.96	
		1-13/16	1-7/8	7-3/4	6-3/16	55/64	19/32	3/4	4-23/32	2-51/64	2.0315	0.748				5/8
UCCFL211	55	224	184	25	18	19	134	75	55.6	22.2	22.2	M16	UC211	CFL211	4.27	
		2	2-1/16	8-13/16	7-1/4	63/64	23/32	3/4	5-9/32	2-61/64	2.1890	0.874				5/8
UCCFL212	60	250	202	29	18	23	144	86	65.1	25.4	25.4	M20	UC212	CFL212	5.27	
		2-1/4	2-5/16	9-27/32	7-61/64	1-9/64	23/32	29/32	5-43/64	3-25/64	2.5630	1.000				3/4
UCCFL213	65	258	210	30	22	23	157	89	65.1	25.4	25.4	M20	UC213	CFL213	6.68	
		2-1/2	2-9/16	10-5/32	8-17/64	1-3/16	7/8	29/32	6-3/16	3-35/64	2.5630	1.000				3/4
UCCFL214	70	265	216	31	22	23	163	98	74.6	30.2	30.2	M20	UC214	CFL214	7.50	
		2-5/8	2-11/16	10-7/16	8-1/2	1-7/32	7/8	29/32	6-27/64	3-55/64	2.9370	1.189				3/4
UCCFL215	75	275	225	34	22	23	168	102	77.8	33.3	33.3	M20	UC215	CFL215	8.01	
		2-13/16	2-7/8	10-13/16	8-55/64	1-11/32	7/8	29/32	6-39/64	4-1/64	3.630	1.311				3/4
UCCFL216	80	290	233	34	22	25	188	107	82.6	33.3	33.3	M22	UC216	CFL216	10.40	
		3-1/16	3-1/8	11-13/32	9-11/64	1-11/32	7/8	63/64	7-13/32	4-7/32	3.2520	1.311				7/8
UCCFL217	85	305	248	36	24	25	198	111	85.7	34.1	34.1	M22	UC217	CFL217	12.76	
		3-1/4	3-5/16	12	9-49/64	1-27/64	15/16	63/64	7-51/64	4-3/8	3.3740	1.343				7/8
UCCFL218	90	320	265	40	24	25	211	122	96	39.7	39.7	M22	UC218	CFL218	15.16	
		3-1/2	12-19/32	10-7/16	1-37/64	15/16	63/64	8-5/16	4-51/64	3.7795	1.5630	7/8				

UCFLX (Medium-duty)

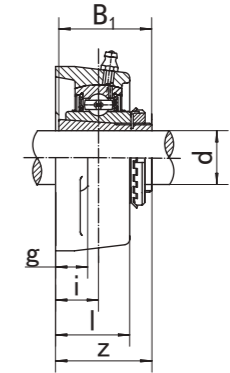
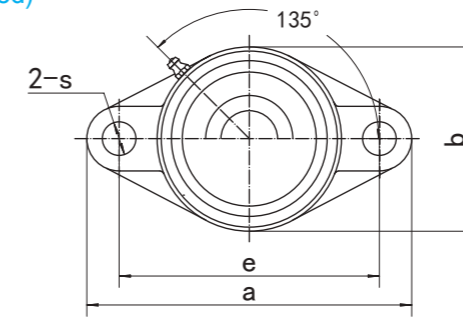
Flange Units (Oval)



Unit NO.	Dimensions (mm / in.)											Bolt Size mm/in.	Bearing No.	Housing No.	Weight (kg)
	d	a	e	i	g	l	s	b	z	B	n				
UCFLX05	25	141	117	18	13	30	12	83	40.2	38.1	15.9	M10	UCX05	FLX05	0.90
X05-13	13/16												UCX05-13		
X05-14	7/8	5-9/16	4-39/64	45/64	1/2	1-3/16	15/32	3-9/32	1-37/64	1.5000	0.626	3/8	UCX05-14		
X05-15	15/16												UCX05-15		
X05-16	1												UCX05-16		
UCFLX06	30	156	130	19	15	34	16	95	44.4	42.9	17.5	M14	UCX06	FLX06	1.26
X06-17	1-1/16												UCX06-17		
X06-18	1-1/8	6-5/32	5-1/8	3/4	19/32	1-11/32	5/8	3-3/4	1-3/4	1.6890	0.689	1/2	UCX06-18		
X06-19	1-3/16												UCX06-19		
X06-20	1-1/4												UCX06-20		
UCFLX07	35	171	144	21	16	38	16	105	51.2	49.2	19	M14	UCX07	FLX07	1.67
X07-21	1-5/16												UCX07-21		
X07-22	1-3/8	6-23/32	5-43/64	53/64	5/8	1-1/2	5/8	4-1/8	2-1/64	1.9370	0.748	1/2	UCX07-22		
X07-23	1-7/16												UCX07-23		
UCFLX08	40	179	148	22	16	40	16	111	52.2	49.2	19	M14	UCX08	FLX08	1.93
X08-24	1-1/2	7-1/16	5-53/64	55/64	5/8	1-9/16	5/8	4-3/8	2-1/16	1.9370	0.748	1/2	UCX08-24		
X08-25	1-9/16												UCX08-25		
UCFLX09	45	189	157	23	16	40	16	116	55.6	51.6	19	M14	UCX09	FLX09	2.10
X09-26	1-5/8												UCX09-26		
X09-27	1-11/16	7-7/16	6-3/16	29/32	5/8	1-37/64	5/8	4-9/16	2-3/16	2.0315	0.748	1/2	UCX09-27		
X09-28	1-3/4												UCX09-28		
X09-29	1-13/16												UCX09-29		
UCFLX10	50	216	184	26	18	44	19	133	59.4	55.6	22.2	M16	UCX10	FLX10	2.97
X10-30	1-7/8												UCX10-30		
X10-31	1-15/16	8-1/2	7-1/4	1-1/32	23/32	1-23/32	3/4	5-1/4	2-11/32	2.1890	0.874	5/8	UCX10-31		
X10-32	2												UCX10-32		

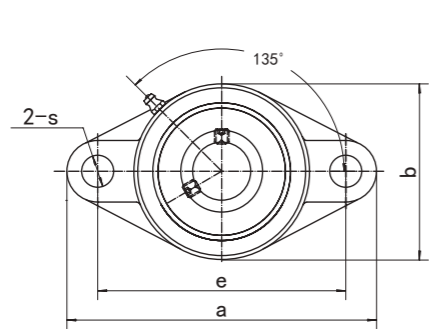
Flange Units (Oval)
(with adapter mounted)

UKFLX (Medium-duty)

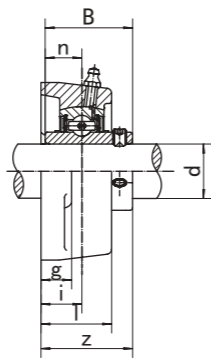


Unit NO.	Dimensions (mm / in.)											Bolt Size mm/in.	Bearing No.	Housing No.	Weight (kg)
	d	a	e	i	g	l	s	b	z	B ₁	n				
UKFLX05;H2305	20	141	117	18	13	30	12	83	39	35	M10	UKX05;H2305	FLX05	0.90	
X05;HE2305	3/4	5-9/16	4-39/64	45/64	1/2	1-3/16	15/32	3-9/32	1-17/32	1.378	3/8	UKX05;HE2305			
UKFLX06;H2306	25	156	130	19	15	34	16	95	41.5	38	M14	UKX06;H2306	FLX06	1.30	
X06;HS2306	7/8	6-5/32	5-1/8	3/4	19/32	1-11/32	5/8	3-3/4	1-41/64	1.496	1/2	UKX06;HS2306			
X06;HE2306	1											UKX06;HE2306			
UKFLX07;H2307	30	171	144	21	16	38	16	105	45.5	43	M14	UKX07;H2307	FLX07	1.70	
X07;HS2307	1-1/8	6-23/32	5-43/64	53/64	5/8	1-1/2	5/8	4-1/8	1-51/64	1.693	1/2	UKX07;HS2307			
UKFLX08;H2308	35	179	148	22	16	40	16	111	47.5	46	M14	UKX08;H2308	FLX08	1.98	
X08;HE2308	1-1/4	7-1/16	5-53/64	55/64	5/8	1-9/16	5/8	4-3/8	1-7/8	1.811	1/2	UKX08;HE2308			
X08;HS2308	1-3/8											UKX08;HS2308			
UKFLX09;H2309	40	189	157	23	16	40	16	116	50	50	M14	UKX09;H2309	FLX09	2.15	
X09;HA2309	1-7/16											UKX09;HA2309			
X09;HE2309	1-1/2	7-7/16	6-3/16	29/32	5/8	1-37/64	5/8	4-9/16	1-31/32	1.969	1/2	UKX09;HE2309			
X09;HS2309	1-5/8											UKX09;HS2309			
UKFLX10;H2310	45	216	184	26	18	44	19	133	55.5	55	M16	UKX10;H2310	FLX10	3.12	
X10;HS2310	1-5/8											UKX10;HS2310			
X10;HA2310	1-11/16	8-1/2	7-1/4	1-1/32	23/32	1-23/32	3/4	5-1/4	2-3/16	2.165	5/8	UKX10;HA2310			
X10;HE2310	1-3/4											UKX10;HE2310			

UCFL3 (Heavy-duty)



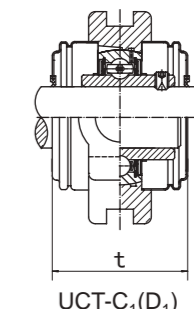
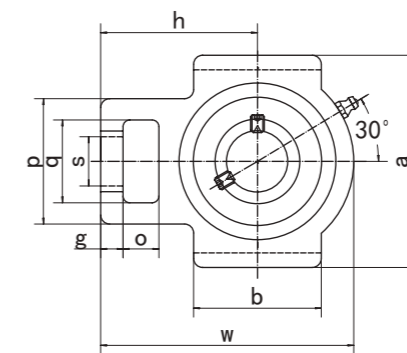
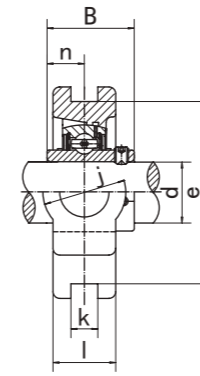
Flange Units (Oval)



Unit NO.	Dimensions (mm / in.)											Bolt Size mm/in.	Bearing No.	Housing No.	Weight (kg)
	d	a	e	i	g	l	s	b	z	B	n				
UCFL305 305-13 305-14 305-15 305-16	25 13/16 7/8 15/16 1	150	113	16	13	29	19	80	39	38	15	M16	UC305 UC305-13 UC305-14 UC305-15 UC305-16	FL305	0.89 0.94 0.92 0.90 0.89
UCFL306 306-17 306-18 306-19	30 1-1/16 1-1/8 1-3/16	180	134	18	15	32	23	90	44	43	17	M20	UC306 UC306-17 UC306-18 UC306-19	FL306	1.37 1.42 1.39 1.37
UCFL307 307-20 307-21 307-22 307-23	35 1-1/4 1-5/16 1-3/8 1-7/16	185	141	20	16	36	23	100	49	48	19	M20	UC307 UC307-20 UC307-21 UC307-22 UC307-23	FL307	1.67 1.73 1.70 1.67 1.64
UCFL308 308-24 308-25	40 1-1/2 1-9/16	200	158	23	17	40	23	112	56	52	19	M20	UC308 UC308-24 UC308-25	FL308	2.20 2.25 2.21
UCFL309 309-26 309-27 309-28	45 1-5/8 1-11/16 1-3/4	230	177	25	18	44	25	125	60	57	22	M22	UC309 UC309-26 UC309-27 UC309-28	FL309	3.12 3.21 3.17 3.12
UCFL310 310-29 310-30 310-31	50 1-13/16 1-7/8 1-15/16	240	187	28	19	48	25	140	67	61	22	M22	UC310 UC310-29 UC310-30 UC310-31	FL310	3.99 4.34 4.09 4.03
UCFL311 311-32 311-33 311-34 311-35	55 2 2-1/16 2-1/8 2-3/16	250	198	30	20	52	25	150	71	66	25	M22	UC311 UC311-32 UC311-33 UC311-34 UC311-35	FL311	4.79 4.97 4.90 4.84 4.76
UCFL312 312-36 312-37 312-38 312-39	60 2-1/4 2-5/16 2-3/8 2-7/16	270	212	33	22	56	31	160	78	71	26	M27	UC312 UC312-36 UC312-37 UC312-38 UC312-39	FL312	5.77 5.92 5.84 5.75 5.67
UCFL313 313-40 313-41	65 2-1/2 2-9/16	295	240	33	25	58	31	175	78	75	30	M27	UC313 UC313-40 UC313-41	FL313	7.38 7.46 7.36
UCFL314 314-42 314-43 314-44	70 2-5/8 2-11/16 2-3/4	315	250	36	28	61	35	185	81	78	33	M30	UC314 UC314-42 UC314-43 UC314-44	FL314	8.72 8.94 8.83 8.73
UCFL315 315-45 315-46 315-47 315-48	75 2-13/16 2-7/8 2-15/16 3	320	260	39	30	66	35	195	89	82	32	M30	UC315 UC315-45 UC315-46 UC315-47 UC315-48	FL315	10.02 10.29 10.15 10.06 9.93
UCFL316 316-49 316-50 316-51	80 3-1/16 3-1/8 3-3/16	355	285	38	32	68	38	210	90	86	34	M33	UC316 UC316-49 UC316-50 UC316-51	FL316	12.42 12.59 12.45 12.36
UCFL317 317-52 317-53 317-55	85 3-1/4 3-5/16 3-7/16	370	300	44	32	74	38	220	100	96	40	M33	UC317 UC317-52 UC317-53 UC317-55	FL317	14.34 14.56 14.53 14.31
UCFL318 318-55 318-56	90 3-7/16 3-1/2	385	315	44	36	76	38	235	100	96	40	M33	UC318 UC318-55 UC318-56	FL318	16.87 17.16 16.98
UCFL319 319-58 319-59 317-60	95 3-5/8 3-11/16 3-3/4	405	330	59	40	94	41	250	121	103	41	M36	UC319 UC319-58 UC319-59 UC317-60	FL319	21.71 22.04 21.86 21.67
UCFL320 320-64	100 4	440	360	59	40	94	44	270	125	108	42	M39	UC320 UC320-64	FL320	25.95 25.75
UCFL322	110	470	390	60	42	96	44	300	131	117	46	M39	UC322	FL322	33.05
UCFL324	120	520	430	65	48	110	47	330	140	126	51	M42	UC324	FL324	46.47
UCFL326	130	550	460	65	50	115	47	360	146	135	54	M42	UC326	FL326	57.38
UCFL328	140	600	500	75	60	125	51	400	161	145	59	M45	UC328	FL328	79.08

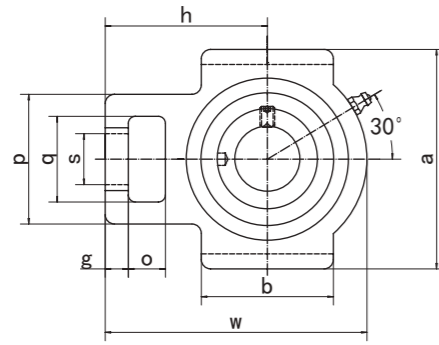
UCT2 (Normal-duty)

Take-up Units

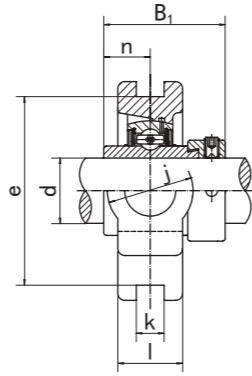


Unit NO.	Dimensions (mm / in.)																	Bearing No.	Housing No.	Weight (kg)
	d	o	g	p	q	s	b	k	e	a	w	j	l	h	t	B	n			
UCT201 201-8	12 1/2	16 5/8	10 25/64	51 2-1/64	32 1-1/4	19 3/4	51 2-1/64	12 15/32	76 2-63/64	89 3-1/2	94 3-11/16	32 1-1/4	21 53/64	61 2-13/32	44.5 1-3/4	31 1.2205	12.7 0.500	UCT201 UCT201-8	T201	0.77 0.76
UCT202 202-9 202-10	15 9/16 5/8	16 5/8	10 25/64	51 2-1/64	32 1-1/4	19 3/4	51 2-1/64	12 15/32	76 2-63/64	89 3-1/2	94 3-11/16	32 1-1/4	21 53/64	61 2-13/32	44.5 1-3/4	31 1.2205	12.7 0.500	UCT202 UCT202-9 UCT202-10	T202	0.76 0.76 0.76
UCT203 203-11	17 11/16	16 5/8	10 25/64	51 2-1/64	32 1-1/4	19 3/4	51 2-1/64	12 15/32	76 2-63/64	89 3-1/2	94 3-11/16	32 1-1/4	21 53/64	61 2-13/32	44.5 1-3/4	31 1.2205	12.7 0.500	UCT203 UCT203-11	T203	0.75 0.74
UCT204 204-12	20 3/4	16 5/8	10 25/64	51 2-1/64	32 1-1/4	19 3/4	51 2-1/64	12 15/32	76 2-63/64	89 3-1/2	94 3-11/16	32 1-1/4	21 53/64	61 2-13/32	44.5 1-3/4	31 1.2205	12.7 0.500	UCT204 UCT204-12	T204	0.73 0.73
UCT205 205-13 205-14 205-15 205-16	25 13/16 7/8 15/16 1	16 5/8	10 25/64	51 2-1/64	32 1-1/4	19 3/4	51 2-1/64	12 15/32	76 2-63/64	89 3-1/2	97 3-13/16	32 1-1/4	24 15/16	62 2-7/16	48 1-7/8	34.1 1.3425	14.3 0.563	UCT205 UCT205-13 UCT205-14 UCT205-15 UCT205-16	T205	0.80 0.84 0.83 0.81 0.80
UCT206 206-17 206-18 206-19 206-20	30 1-1/16 1-1/8 1-3/16 1-1/4	16 5/8	10 25/64	56 2-7/32	37 1-29/64	22 55/64	57 2-1/4	12 15/32	89 3-1/2	102 4-1/64	113 4-29/64	37 1-29/64	28 1-3/32	70 2-3/4	53 2-3/32	38.1 1.5000	15.9 0.626	UCT206 UCT206-17 UCT206-18 UCT206-19 UCT206-20	T206	1.22 1.23 1.24 1.22 1.21
UCT207 207-20 207-21 207-22 207-23	35 1-1/4 1-5/16 1-3/8 1-7/16	16 5/8	13 33/64	64 2-33/64	37 1-29/64	22 55/64	64 2-33/64	12 15/32	89 3-1/2	102 4-1/64	129 5-5/64	37 1-29/64	30 1-3/16	78 3-5/64	59.5 2-11/32	42.9 1.6890	17.5 0.689	UCT207 UCT207-20 UCT207-21 UCT207-22 UCT207-23	T207	1.57 1.63 1.60 1.57 1.54
UCT208 208-24 208-25	40 1-1/2 1-9/16	19 3/4	16 5/8	83 3-17/64	49 1-15/16	29 1-9/64	83 3-17/64	16 5/8	102 4-1/64	114 4-31/64	144 5-43/64	49 1-15/16	33 1-19/64	89 3-1/2	69 2-23/32	49.2 1.9370	19 0.748	UCT208 UCT208-24 UCT208-25	T208	2.31 2.35 2.32
UCT209 209-26 209-27 209-28	45 1-5/8 1-11/16 1-3/4	19 3/4	16 5/8	83 3-17/64	49 1-15/16	29 1-9/64	83 3-17/64	16 5/8	102 4-1/64	117 4-39/64	144 5-43/64	49 1-15/16	35 1-3/8	87 3-27/64	69 2-23/32	49.2 1.9370	19 0.748	UCT209 UCT209-26 UCT209-27 UCT209-28	T209	2.34 2.44 2.40 2.36
UCT210 210-29 210-30 210-31 210-32	50 1-13/16 1-7/8 1-15/16 2	19 3/4	16 5/8	83 3-17/64	49 1-15/16	29 1-9/64	86 3-17/64	16 5/8	102 4-1/64	117 4-39/64	149 5-55/64	49 1-15/16	37 1-29/64	90 3-35/64	74.5 2-15/16	51.6 2.0315	19 0.748	UCT210 UCT210-29 UCT210-30 UCT210-31 UCT210-32	T210	2.47 2.59 2.54 2.49 2.45
UCT211 211-32 211-33 211-34 211-35	55 2 2-1/16 2-1/8 2-3/16	25 63/64	19 3/4	102 4-1/64	64 2-1/32	35 1-3/8	95 3-3/4	22 55/64	130 5-1/8	146 6-47/64	171 2-33/64	64 1-1/2	38 4-11/64	106 3	76 2.1890	55.6 0.874	22.2 0.874	UCT211 UCT211-32 UCT211-33 UCT211-34 UCT211-35	T211	3.74 3.89 3.83 3.79 3.72
UCT212 212-36 212-37 212-38 212-39	60 2-1/4 2-5/16 2-3/8 2-7/16	32 1-17/64	19 3/4	102 4-1/64	64 2-1/32	35 1-3/8	102 4-1/64	22 55/64	130 5-1/8	146 7-41/64	194 2-33/64	64 1-21/32	42 4-11/16	119 3-1/2	89 2.5630	65.1 1.000	25.4 1.000	UCT212 UCT212-36 UCT212-37 UCT212-38 UCT212-39	T212	4.58 4.71 4.63 4.56 4.49
UCT213 213-40 213-41	65 2-1/2 2-9/16	32 1-17/64	21 53/64	111 4-3/8	70 2-3/4	41 1-39/64	121 4-49/64	26 1-1/32	151 5-15/16	167 6-37/64	224 8-13/16	70 2-3/4	44 1-23/32	137 5-25/64	89 3-1/2	65.1 2.5630	25.4 1.000	UCT213 UCT213-40 UCT213-41	T213	6.60 6.69 6.60
UCT214 214-42 214-43 214-44	70 2-5/8 2-11/16 2-3/4	32 1-17/64	21 53/64	111 4-3/8	70 2-3/4	41 1-39/64	121 4-49/64	26 1-1/32	151 5-15/16	167 6-37/64	224 8-13/16	70 2-3/4	46 1-13/16	137 5-25/64	98 3-55/64	74.6 2.937	30.2 1.189	UCT214 UCT214-42 UCT214-43 UCT214-44	T214	6.74 6.95 6.85 6.75
UCT215 215-45 215-46 215-47 215-48	75 2-13/16 2-7/8 2-15/16 3	32 1-17/64	21 53/64	111 4-3/8	70 2-3/4	41 1-39/64	121 4-49/64	26 1-1/32	151 5-15/16	167 6-37/64	232 9-9/64	70 2-3/4	48 1-57/64	140 5-33/64	99 3-57/64	77.8 3.0630	33.3 1.311	UCT215 UCT215-45 UCT215-46 UCT215-47 UCT215-48	T215	7.19 7.19 7.44 7.33 7.13
UCT216 216-49 216-50 216-51	80 3-1/16 1-17/64 3-3/16	32 1-17/64	21 53/64	111 4-3/8	70 2-3/4	41 1-39/64	121 4-49/64	26 1-1/32	165 5-35/64	184 7-1/4	235 9-1/4	70 2-3/4	51 2	140 5-33/64	109 4-19/64	82.6 3.2520	33.3 1.311	UCT216 UCT216-49 UCT216-50 UCT216-51	T216	8.08 8.26 8.13 8.00
UCT217 217-52 217-53 217-55	85 3-1/4 3-5/16 3-7/16	38 1-1/2	29 1-9/64	124 4-7/8	73 2-7/8	48 1-57/64	157 6-3/16	30 1-3/16	173 6-13/16	198 7-51/64	260 10-15/64	73 2-7/8	54 2-1/8	162 6-3/8	113.2 4-29/64	85.7 3.3740	34.1 1.343	UCT217 UCT217-52 UCT217-53 UCT217-55	T217	10.66 10.78 10.74 10.45
UCT218 218-56	90 3-1/2	40 1-37/64	30 1-3/16	130 5-																

HCT2 (Normal-duty)



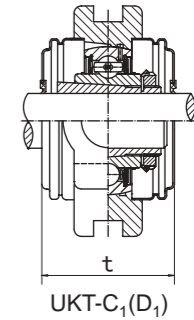
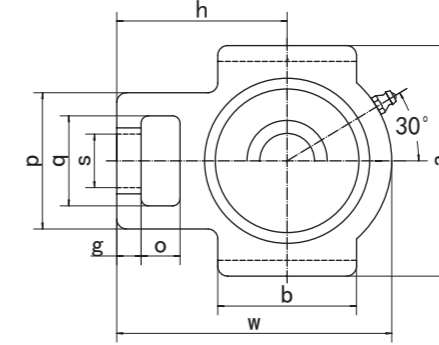
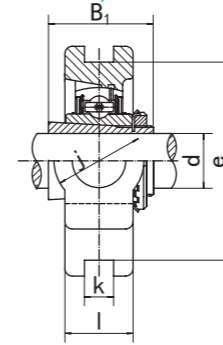
Take-up Units



Unit NO.	Dimensions (mm / in.)																Bearing No.	Housing No.	Weight (kg)
	d	o	g	p	q	s	b	k	e	a	w	j	l	h	B1	n			
HCT204 204-12	20 3/4	16 5/8	10 25/64	51 1-1/16	32 1-1/4	19 3/4	51 2-1/64	12 15/32	76 2-63/64	89 3-1/2	94 3-11/16	32 1-1/4	21 13/16	61 2-13/32	43.7 1.720	17.1 0.673	HC204 HC204-12	T204	0.78 0.78
HCT205 205-13 205-14 205-15 205-16	25 13/16 7/8 15/16 1	16 5/8	10 25/64	51 2-1/64	32 1-1/4	19 3/4	51 2-1/64	12 15/32	76 2-63/64	89 3-1/2	97 3-13/16	32 1-1/4	24 15/16	62 2-7/16	44.4 1.748	17.5 0.689	HC205 HC205-13 HC205-14 HC205-15 HC205-16	T205	0.86 0.91 0.90 0.88 0.86
HCT206 206-17 206-18 206-19 206-20	30 1-1/16 1-1/8 1-3/16 1-1/4	16 5/8	10 25/64	56 2-7/32	37 1-29/64	22 55/64	57 2-1/4	12 15/32	89 3-1/2	102 4-1/64	113 4-29/64	37 4-29/64	28 1-3/32	70 2-3/4	48 1.906	18.3 0.720	HC206 HC206-17 HC206-18 HC206-19 HC206-20	T206	1.29 1.34 1.31 1.29 1.26
HCT207 207-20 207-21 207-22 207-23	35 1-1/4 1-5/16 1-3/8 1-7/16	16 5/8	13 33/64	64 2-33/64	37 1-29/64	22 55/64	64 2-33/64	12 15/32	89 3-1/2	102 4-1/64	129 5-5/64	37 1-29/64	30 1-3/16	78 3-5/64	51.1 20.12	18.8 0.740	HC207 HC207-20 HC207-21 HC207-22 HC207-23	T207	1.70 1.77 1.73 1.70 1.68
HCT208 208-24 208-25	40 1-1/2 1-9/16	19 3/4	16 5/8	83 3-17/64	49 1-15/16	29 1-9/64	83 3-17/64	16 5/8	102 4-1/64	114 4-31/64	144 5-43/64	49 1-15/16	33 1-5/16	89 3-1/2	56.3 2.217	21.4 0.843	HC208 HC208-24 HC208-25	T208	2.50 2.46
HCT209 209-26 209-27 209-28	45 1-5/8 1-11/16 1-3/4	19 3/4	16 5/8	83 3-17/64	49 1-15/16	29 1-9/64	83 3-17/64	16 5/8	102 4-1/64	117 4-39/64	144 5-43/64	49 1-15/16	35 1-3/8	87 3-27/64	56.3 2.217	21.4 0.843	HC209 HC209-26 HC209-27 HC209-28	T209	2.47 2.58 2.53 2.49
HCT210 210-29 210-30 210-31 210-32	50 1-13/16 1-7/8 1-15/16 2	19 3/4	16 5/8	83 3-17/64	49 1-15/16	29 1-9/64	86 3-25/64	16 5/8	102 4-1/64	117 4-39/64	149 5-55/64	49 1-15/16	37 1-15/32	90 3-35/64	62.7 2.469	24.6 0.969	HC210 HC210-29 HC210-30 HC210-31 HC210-32	T210	2.66 2.81 2.75 2.69 2.63
HCT211 211-32 211-33 211-34 211-35	55 2 2-1/16 2-1/8 2-3/16	25 63/64	19 3/4	102 4-1/64	64 2-1/32	35 1-3/8	95 3-3/4	22 55/64	130 5-1/8	146 5-3/4	171 6-47/64	64 2-33/64	38 1-1/2	106 4-11/64	71.4 2.811	27.8 1.094	HC211 HC211-32 HC211-33 HC211-34 HC211-35	T211	4.01 4.31 4.13 4.06 3.98
HCT212 212-36 212-37 212-38 212-39	60 2-1/4 2-5/16 2-3/8 2-7/16	32 1-17/64	19 3/4	102 4-1/64	64 2-1/32	35 1-3/8	102 4-1/64	22 55/64	130 5-1/8	146 5-3/4	194 7-41/64	64 2-33/64	42 1-21/32	119 4-11/16	77.8 3.063	31 1.220	HC212 HC212-36 HC212-37 HC212-38 HC212-39	T212	4.92 4.97 4.90 4.89
HCT213 213-40 213-41	65 2-1/2 2-9/16	32 1-17/64	21 53/64	111 4-3/8	70 2-3/4	41 1-39/64	121 4-49/64	26 1-1/32	151 5-15/16	167 6-37/64	224 8-13/16	70 2-3/4	44 1-47/64	137 5-25/64	85.7 3.374	34.1 1.343	HC213 HC213-40 HC213-41	T213	7.14 7.24 7.13
HCT214 214-42 214-43 214-44	70 2-5/8 2-11/16 2-3/4	32 1-17/64	21 53/64	111 4-3/8	70 2-3/4	41 1-39/64	121 4-49/64	26 1-1/32	151 5-15/16	167 6-37/64	224 8-13/16	70 2-3/4	46 1-13/16	137 5-25/64	85.7 3.374	34.1 1.343	HC214 HC214-42 HC214-43 HC214-44	T214	7.15 7.09 7.28 7.16
HCT215 215-45 215-46 215-47 215-48	75 2-13/16 2-7/8 2-15/16 3	32 1-17/64	21 53/64	111 4-3/8	70 2-3/4	41 1-39/64	121 4-49/64	26 1-1/32	151 5-15/16	167 6-37/64	232 9-9/64	70 2-3/4	48 1-57/64	140 5-33/64	92.1 3.626	37.3 1.469	HC215 HC215-45 HC215-46 HC215-47 HC215-48	T215	7.67 7.97 7.84 7.71 7.57
HCT216 216-49 216-50 216-51	80 3-1/16 3-1/8 3-3/16	32 1-17/64	21 53/64	111 4-3/8	70 2-3/4	41 1-39/64	121 4-49/64	26 1-1/32	165 5-35/64	184 7-1/4	235 9-1/4	70 2-3/4	51 2	140 5-33/64	95.2 3.748	37.3 1.469	HC216 HC216-49 HC216-50 HC216-51	T216	8.76 8.96 8.82 8.67
HCT217 217-52 217-53 217-55	85 3-1/4 3-5/16 3-7/16	38 1-1/2	29 1-9/64	124 4-7/8	73 2-7/8	48 1-57/64	157 6-3/16	30 1-3/16	173 6-13/16	198 7-51/64	260 10-15/64	73 2-7/8	54 2-1/8	162 6-3/8	73.8 2.906	23.4 0.921	HC217 HC217-52 HC217-53 HC217-55	T217	10.91 11.10 10.98 10.73
HCT218 218-56	90 3-1/2	40 1-37/64	30 1-3/16	130 5-1/8	80 3-5/32	48 1-57/64	140 5-35/64	30 1-3/16	190 7-31/64	215 8-15/32	275 10-53/64	80 3-5/32	55 2-11/64	170 6-11/16	72.6 2.858	24.5 0.965	HC218 HC218-56	T218	12.01 12.10

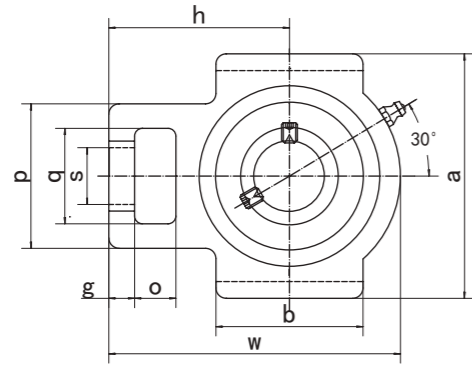
UKT2 (Normal-duty)

Take-up Units
(with adapter mounted)

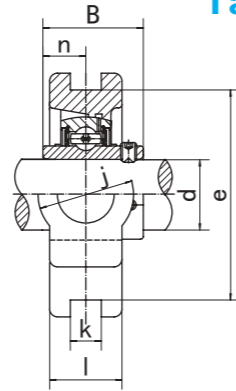


Unit NO.	Dimensions (mm / in.)																Bearing No.	Housing No.	Weight (kg)
	d	o	g	p	q	s	b	k	e	a	w	j	l	h	t	B1			
UKT205;H2305 205;HE2305	20 3/4	16 5/8	10 25/64	51 2-1/64	32 1-1/4	19 3/4	51 2-1/64	12 15/32	76 2-63/64	89 3-1/2	97 3-13/16	32 1-1/4	24 15/16	62 2-7/16	48 1-7/8	35 1.378	UK205;H2305 UK205;HE2305	T205	0.86
UKT206;H2306 206;HS2306 206;HE2306	25 7/8 1	16 5/8	10 25/64	56 2-7/32	37 1-29/64	22 55/64	57 2-1/4	12 15/32	89 3-1/2	102 4-1/64	113 4-29/64	37 1-29/64	28 1-3/32	70 2-3/4	53 2-3/32	38 1.496	UK206;H2306 UK206;HS2306 UK206;HE2306	T206	1.26
UKT207;H2307 207;HS2307	30 1-1/8	16 5/8	13 33/64	64 2-33/64	37 1-29/64	22 55/64	64 2-33/64	12 15/32	89 3-1/2	102 4-1/64	129 5-5/64	37 1-29/64	30 1-3/16	78 3-5/64	59.5 2-11/32	43 1.693	UK207;H2307 UK207;HS2307	T207	2.50
UKT208;H2308 208;HE2308 208;HS2308	35 1-1/4 1-3/8	19 3/4	16 5/8	83 3-17/64	49 1-15/16	29 1-9/64	83 3-17/64	16 5/8	102 4-1/64	114 4-31/64	144 5-43/64	49 1-15/16	33 1-5/16	89 3-1/2	69 2-23/32	46 1.811	UK208;H2308 UK208;HE2308 UK208;HS2308	T208	2.50
UKT209;H2309 209;HA2309 209;HE2309 209;HS2309	40 1-7/16 1-1/2 1-5/8	19 3/4	16 5/8	83 3-17/64	49 1-15/16	29 1-9/64	83 3-17/64	16 5/8	102 4-1/64	117 4-39/64	144 5-43/64	49 1-15/16	35 1-3/8	87 3-27/64	69 2-23/32	50 1.969	UK209;H2309 UK209;HA2309 UK209;HE2309 UK209;HS2309	T209	2.51
UKT210;H2310 210;HA2310 210;HE2310	45 1-5/8	19 3/4	16 5/8	83 3-17/64	49 1-15/16	29 1-9/64	86 3-25/64	16 5/8	102 4-1/64	117 4-39/64	149 5-55/64	49 1-15/16	37 1-15/32	90 3-35/64	74.5 2-15/16	55 2.165	UK210;H2310 UK210;HA2310 UK210;HE2310	T210	2.60
UKT211;H2311 211;HS2311 211;HA2311 211;HE2311	50 1-7/8 1-15/16 2	25 63/64	19 3/4	102 4-1/64	64 2-1/32	35 1-3/8	95 3-3/4	22 55/64	130 5-1/8	146 5-3/4	171 6-47/64	64 2-33/64	38 1-1/2	106 4-11/64	76 3	59 2.323	UK211;H2311 UK211;HS2311 UK211;HA2311 UK211;HE2311	T211	4.26
UKT212;H2312 212;HS2312	55 2-1/8	32 1-17/64	19 3/4	102 4-1/64	64 2-1/32	35 1-3/8	102 4-1/64	22 55/64	130 5-1/8	146 5-3/4	194 7-41/64	64 2-33/64	42 1-21/32	119 4-11/16	89 3-1/2	62 2.441	UK212;H2312 UK212;HS2312	T212	5.02
UKT213;H2313 213;HA2313 213;HE2313 213;HS2313	60 2-3/16 2-1/4 2-3/8	32 1-17/64	21 53/64	111 4-3/8	70 2-3/4	41 1-39/64	121 4-49/64	26 1-1/32	151 5-15/16	167 6-37/64	224 8-13/16	70 2-3/4	44 1-23/32	137 5-25/64	89 3-1/2	65 2.559	UK213;H2313 UK213;HA2313 UK213;HE2313 UK213;HS2313	T213	6.56
UKT215;H2315 215;HA2315 215;HE2315	65 2-7/16 2-1/2	32 1-17/64	21 53/64	111 4-3/8	70 2-3/4	41 1-39/64	121 4-49/64	26 1-1/32	151 5-15/16	167 6-37/64	232 9-9/64	70 2-3/4	48 1-57/64	140 5-33/64	99 3-57/64	73 2.874	UK215;H2315 UK215;HA2315 UK215;HE2315	T215	7.52
UKT216;H2316 216;HA2316 216;HE2316	70 2-11/16 2-3/4	32 1-17/64	21 53/64	111 4-3/8	70 2-3/4	41 1-39/64	121 4-49/64	26 1-1/32	165 5-15/16	184 7-1/4	235 9-1/4	70 2-3/4	51 2	140 5-33/64	109 4-19/64	78 3.071	UK216;H2316 UK216;HA2316 UK216;HE2316	T216	8.56
UKT217;H2317 217;HA2317 217;HE2317	75 2-15/16 3	38 1-1/2	29 1-9/64	124 4-7/8	73 2-7/8	48 1-57/64	157 6-3/16	30 1-3/16	173 6-13/16	198 7-51/64	260 10-15/64	73 2-7/8	54 2-1/8	162 6-3/8	113.2 4-29/64	82 3.288	UK217;H2317 UK217;HA2317 UK217;HE2317	T217	11.38

UCST2(Normal-duty)

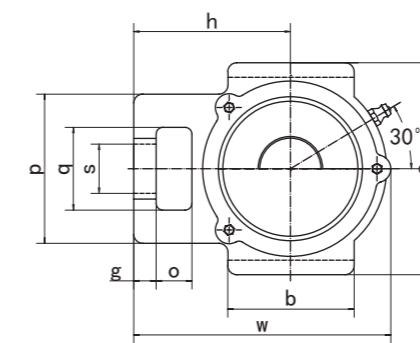


Take-up Units

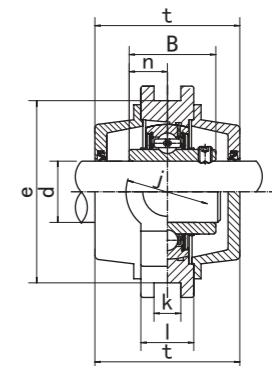


Unit NO.	Dimensions (mm / in.)																Bearing No.	Housing No.	Weight (kg)
	d	o	g	p	q	s	b	k	e	a	w	j	l	h	B	n			
UCST201 201-8	12 1/2	16 5/8	10 25/64	51 1-1/64	32 1-1/4	19 3/4	51 2-1/64	13.5 17/32	76 2-63/64	89 3-1/2	94 3-11/16	32 1-1/4	24 15/16	60 2-13/32	31 1.2205	12.7 0.500	UC201 UC201-8	ST201	0.80 0.80
UCST202 202-9 202-10	15 9/16 5/8	16 5/8	10 25/64	51 1-1/64	32 1-1/4	19 3/4	51 2-1/64	13.5 17/32	76 2-63/64	89 3-1/2	94 3-11/16	32 1-1/4	24 15/16	60 2-13/32	31 1.221	12.7 0.500	UC202 UC202-9 UC202-10	ST202	0.83 0.83 0.83
UCST203 203-11	17 11/16	16 5/8	10 25/64	51 1-1/64	32 1-1/4	19 3/4	51 2-1/64	13.5 17/32	76 2-63/64	89 3-1/2	94 3-11/16	32 1-1/4	24 15/16	60 2-13/32	31 1.2205	12.7 0.500	UC203 UC203-11	ST203	0.82 0.82
UCST204 204-12	20 3/4	16 5/8	10 25/64	51 1-1/64	32 1-1/4	19 3/4	51 2-1/64	13.5 17/32	76 2-63/64	89 3-1/2	94 3-11/16	32 1-1/4	24 15/16	60 2-13/32	31 1.2205	12.7 0.500	UC204 UC204-12	ST204	0.80 0.80
UCST205 205-13 205-14 205-15 205-16	25 13/16 7/8 15/16 1	16 5/8	10 25/64	51 1-1/64	32 1-1/4	22 55/64	51 2-1/64	13.5 17/32	76 2-63/64	89 3-1/2	97 3-13/16	32 1-1/4	24 15/16	62 2-7/16	34.1 1.3425	14.3 0.563	UC205 UC205-13 UC205-14 UC205-15 UC205-16	ST205	0.79 0.82 0.81 0.79 0.78
UCST206 206-17 206-18 206-19 206-20	30 1-1/16 1-1/8 1-3/16 1-1/4	16 5/8	10 25/64	56 2-7/32	37 1-15/32	22 55/64	57 2-1/4	13.5 17/32	89 3-1/2	102 4-1/64	113 4-29/64	37 1-29/64	24 15/16	70 2-3/4	38.1 1.5000	15.9 0.626	UC206 UC206-17 UC206-18 UC206-19 UC206-20	ST206	1.08 1.09 1.10 1.08 1.07
UCST207 207-20 207-21 207-22 207-23	35 1-1/4 1-5/16 1/3/8 1-7/16	16 5/8	13 33/64	64 2-33/64	37 1-27/64	22 55/64	64 2-33/64	13.5 17/32	89 3-1/2	102 4-1/64	129 5-5/64	37 1-29/64	30 1-3/16	78 3-5/64	42.9 1.6890	17.5 0.689	UC207 UC207-20 UC207-21 UC207-22 UC207-23	ST207	1.55 1.62 1.59 1.56 1.53
UCST208 208-24 208-25	40 1-1/2 1-9/16	19 3/4	16 5/8	83 3-17/64	49 1-15/16	29 1-9/64	83 3-17/64	17.5 11/16	102 4-1/64	114 4-31/64	144 5-43/64	49 1-15/16	33 1-19/64	89 3-1/2	49.2 1.9370	19 0.748	UC208 UC208-24 UC208-25	ST208	2.29 2.33 2.30
UCST209 209-26 209-27 209-28	45 1-5/8 1-11/16 1-3/4	19 3/4	16 5/8	83 3-17/64	49 1-15/16	29 1-9/64	83 3-17/64	17.5 11/16	102 4-1/64	117 4-39/64	144 5-43/64	49 1-15/16	35 1-3/8	87 3-27/64	49.2 1.9370	19 0.748	UC209 UC209-26 UC209-27 UC209-28	ST209	2.32 2.42 2.38 2.34
UCST210 210-29 210-30 210-31 210-32	50 1-13/16 1-7/8 1-15/16 2	19 3/4	16 5/8	83 3-17/64	49 1-15/16	29 1-9/64	83 3-17/64	17.5 11/16	102 4-1/64	117 4-39/64	149 5-55/64	49 1-15/16	35 1-3/8	90 3-35/64	51.6 2.0315	19 0.748	UC210 UC210-29 UC210-30 UC210-31 UC210-32	ST210	2.36 2.48 2.43 2.38 2.34
UCST211 211-32 211-33 211-34 211-35	55 2 2-1/16 2-1/8 2-3/16	25 63/64	19 3/4	102 4-1/64	64 2-1/32	35 1-3/8	95 3-3/4	27 1-1/16	130 5-1/8	146 5-3/4	171 6-47/64	64 2-33/64	41 1-5/8	106 4-11/64	55.6 2.1890	22.2 0.874	UC211 UC211-32 UC211-33 UC211-34 UC211-35	ST211	3.89 4.04 3.98 3.94 3.87
UCST212 212-36 212-37 212-38 212-39	60 2-1/4 2-5/16 2-3/8 2-7/16	32 1-17/64	19 3/4	102 4-1/64	64 2-1/32	35 1-3/8	102 4-1/64	27 1-1/16	130 5-1/8	146 5-3/4	194 7-41/64	64 2-33/64	46 1-13/16	119 4-11/16	65.1 2.5630	25.4 1.000	UC212 UC212-36 UC212-37 UC212-38 UC212-39	ST212	4.82 4.95 4.87 4.80 4.73
UCST213 213-40 213-41	65 2-1/2 2-9/16	32 1-17/64	21 53/64	111 4-3/8	70 2-3/4	41 1-39/64	121 4-49/64	27 1-1/16	151 5-15/16	167 6-37/64	224 8-13/16	70 2-3/4	51 1-47/64	137 5-25/64	65.1 2.5630	25.4 1	UC213 UC213-40 UC213-41	ST213	7.36 7.45 7.36

Take-up Units



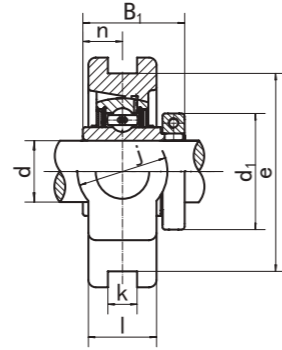
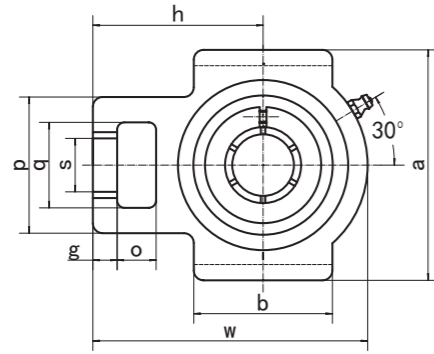
UCCT2 (Normal-duty)



Unit NO.	Dimensions (mm / in.)																	Bearing No.	Housing No.	Weight (kg)
	d	o	g	p	q	s	b	k	e	a	w	j	l	h	t	B	n			
UCCT204 204-12	20 3/4	16 5/8	10 25/64	51 1-1/64	32 1-1/4	19 3/4	51 2-1/64	12 15/32	76 2-63/64	89 3-1/2	94 3-11/16	32 1-1/4	21 53/64	61 2-13/32	62 2-7/16	31 1.2205	12.7 0.500	UC204 UC204-12	CT204	0.68 0.68
UCCT205 205-13 205-14 205-15 205-16	25 13/16 7/8 15/16 1	16 5/8	10 25/64	51 1-1/64	32 1-1/4	19 3/4	51 2-1/64	12 15/32	76 2-63/64	89 3-1/2	100 3-15/16	32 1-1/4	24 15/16	62 2-7/16	70 2-3/4	34.1 1.3425	14.3 0.563	UC205 UC205-13 UC205-14 UC205-15 UC205-16	CT205	0.93 0.97 0.96 0.94 0.93
UCCT206 206-17 206-18 206-19 206-20	30 1-1/16 1-1/8 1-3/16 1-1/4	16 5/8	10 25/64	56 2-7/32	37 1-15/32	22 55/64	57 2-1/4	12 15/32	89 3-1/2	102 4-1/64	113 4-29/64	37 1-29/64	28 1-3/32	70 2-3/4	74 2-29/32	38.1 1.5000	15.9 0.626	UC206 UC206-17 UC206-18 UC206-19 UC206-20	CT206	1.33 1.34 1.35 1.33 1.32
UCCT207 207-20 207-21 207-22 207-23	35 1-1/4 1-5/16 1/3/8 1-7/16	16 5/8	13 33/64	64 2-33/64	37 1-15/32	22 55/64	64 2-33/64	12 15/32	89 3-1/2	102 4-1/64	129 5-5/64	37 1-3/16	30 3-5/64	78 3-5/32	80 1.6890	17.5 0.689	UC207 UC207-20 UC207-21 UC207-22 UC207-23	CT207	2.00 2.06 2.03 2.00 1.97	
UCCT208 208-24 208-25	40 1-1/2 1-9/16	19 3/4	16 5/8	83 3-17/64	49 1-15/16	29 1-9/64	83 3-17/64	16 5/8	102 4-1/64	114 4-31/64	144 5-43/64	49 1-15/16	33 1-19/64	89 3-1/2	90 3-35/64	49.2 1.9370	19 0.748	UC208 UC208-24 UC208-25	CT208	2.81 2.85 2.82
UCCT209 209-26 209-27 209-28	45 1-5/8 1-11/16 1-3/4	19 3/4	16 5/8	83 3-17/64	49 1-15/16	29 1-9/64	83 3-17/64	16 5/8	102 4-1/64	117 4-39/64	145 5-45/64	49 1-15/16	35 1-3/8	87 3-27/64	90 3-35/64	49.2 1.9370	19 0.748	UC209 UC209-26 UC209-27 UC209-28	CT209	2.80 2.90 2.86 2.82
UCCT210 210-29 210-30 210-31 210-32	50 1-13/16 1-7/8 1-15/16 2	19 3/4	16 5/8	83 3-17/64	49 1-15/16	29 1-9/64	86 3-25/64	16 5/8	102 4-1/64	117 4-39/64	151 5-5/16	49 1-15/16	37 1-27/64	90 3-35/64	98 3-55/64	51.6 2.0315	19 0.748	UC210 UC210-29 UC210-30 UC210-31 UC210-32	CT210	3.06 3.18 3.13 3.08 3.04
UCCT211 211-32 211-33 211-34 211-35	55 2 2-1/16 2-1/8 2-3/16	25 63/64	19 3/4	102 4-1/64	64 2-1/32	35 1-3/8	95 3-3/4	22 1-1/16	130 5-1/8	146 5-3/4	174 6-27/32	64 2-33/64	38 1-1/2	106 4-11/64	100 3-15/16	55.6 2.1890	22.2 0.874	UC211 UC211-32 UC211-33 UC211-34 UC211-35	CT211	4.17 4.32 4.26 4.21 4.15
UCCT212 212-36 212-37 212-38 212-39	60 2-1/4 2-5/16 2-3/8 2-7/16	32 1-17/64	19 3/4	102 4-1/64	64 2-1/32	35 1-3/8	102 4-1/64	22 15/32	130 5-1/8	146 5-3/4	194 7-41/64	64 2-33/64	42 1-21/32	119 4-11/16	114 4-31/64	65.1 2.5630	25.4 1	UC212 UC212-36 UC212-37 UC212-38 UC212-39	CT212	5.87 6.00 5.92 5.85 5.78
UCCT213 213-40 213-41	65 2-1/2 2-9/16	32 1-17/64	21 53/64	111 4-3/8	70 2-3/4	41 1-39/64	121 4-49/64	26 1-1/32	151 5-15/16	167 6-37/64	224 8-13/16	70 2-3/4	44 1-47/64	137 5-25/64	118 4-41/64	65.1 2.5630	25.4 1	UC213 UC213-40 UC213-41	CT213	8.18 8.27 8.18
UCCT214 214-42 214-43 214-44	70 2-5/8 2-11/16 2-3/4	32 1-17/64	21 53/64	111 4-3/8	70 2-3/4	41 1-39/64	121 4-49/64	26 1-1/32	151 5-15/16	167 6-37/64	224 8-13/16	70 2-3/4	46 1-13/16	137 5-25/64	134 5-9/32	74.6 2.9370	30.2 1.189	UC214 UC214-42 UC214-43 UC214-44	CT214	8.30 8.51 8.41 8.31
UCCT215 215-45 215-46 215-47 215-48	75 2-13/16 2-7/8 2-15/16 3	32 1-17/64	21 53/64	111 4-3/8	70 2-3/4	41 1-39/64	121 4-49/64	26 1-1/32	151 5-15/16	167 6-37/64	232 9-9/64	70 2-3/4	48 1-57/64	140 5-33/64	136 5-23/54	77.8 0.0630	33.3 1.311	UC215 UC215-45 UC215-46 UC215-47 UC215-48	CT215	9.31 9.56 9.45 9.34 9.22
UCCT216 216-49 216-50 216-51	80 3-1/16 3-1/8 3-3/16	32 1-17/64	21 53/64	111 4-3/8	70 2-3/4	41 1-39/64	121 4-49/64	26 1-1/32	165 6-1/2	184 7-1/4	236 9-19/64	70 2-3/4	51 2-1/64	140 5-33/64	146 5-3/4	82.6 3.2520	33.3 1.311	UC216 UC216-49 UC216-50 UC216-51	CT216	10.90 11.08 10.95 10.82
UCCT217 217-52 217-53 217-55	85 3-1/4 3-5/16 3-7/16	38 1-1/2	29 1-9/64	124 4-7/8	73 2-7/8	48 1-57/64	157 6-3/16	30 1-3/16	173 6-13/16	198 7-51/64	263 10-23/64	73 2-7/8	54 2-1/8	162 6-3/8	150 5-29/32	85.7 3.3740	34.1 1.343	UC217 UC217-52 UC217-53 UC217-55	CT217	13.26 13.48 13.34 13.05

NCT2 (Normal-duty)

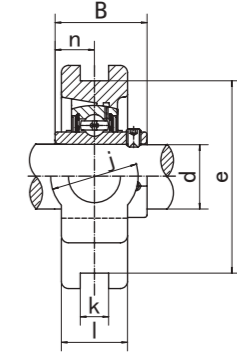
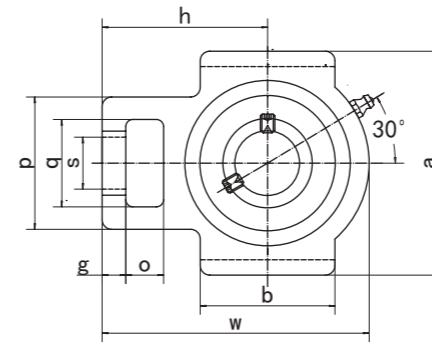
Take-up Units



Unit NO.	Dimensions (mm / in.)																Bearing No.	Housing No.	Weight (kg)	
	d	d ₁	o	g	p	q	s	b	k	e	a	w	j	l	h	B ₁				n
NCT204	20	44.5	16	10	51	32	19	51	12	76	89	94	32	21	61	33.4	12.7	NC204	T204	0.87
204-12	3/4	1-3/4	5/8	25/64	2-1/64	1-1/4	3/4	2-1/64	15/32	2-63/64	3-1/2	3-11/16	1-1/4	53/64	2-13/32	1.315	0.500	NC204-12		
NCT205	25	49.2	16	10	51	32	19	51	12	76	89	97	32	24	62	36.5	14.3	NC205	T205	1.00
205-14	7/8																	NC205-14		
205-15	15/16	1-15/16	5/8	25/64	2-1/64	1-1/4	3/4	2-1/64	15/32	2-63/64	3-1/2	3-13/16	1-1/4	15/16	2-7/16	1.437	0.563	NC205-15		
205-16	1																	NC205-16		
NCT206	30	55.6	16	10	56	37	22	57	12	89	102	113	37	28	70	39.7	15.9	NC206	T206	1.42
206-18	1-1/8																	NC206-18		
206-19	1-3/16	2-3/16	5/8	25/64	2-7/32	1-15/32	55/64	2-1/4	15/32	3-1/2	4-1/64	4-29/64	1-15/32	1-3/32	2-3/4	1.563	0.626	NC206-19		
206-20	1-1/4																	NC206-20		
NCT207	35	65.1	16	13	64	37	22	64	12	89	102	129	37	30	78	44.5	17.5	NC207	T207	1.92
207-20	1-1/4	2-7/16																NC207-20		
207-22	1-3/8	2-9/16	5/8	33/64	2-33/64	1-15/32	55/64	2-33/64	15/32	3-1/2	4-1/64	5-5/64	1-15/32	1-3/16	3-5/64	1.752	0.740	NC207-22		
207-23	1-7/16																	NC207-23		
NCT208	40	68.3	19	16	83	49	29	83	16	102	114	144	49	33	89	50.8	19.0	NC208	T208	2.72
208-24	1-1/2	2-11/16	3/4	5/8	3-17/64	1-15/16	1-9/32	3-17/64	5/8	4-1/64	4-31/64	5-43/64	1-15/16	1-19/64	3-1/2	2.000	0.748	NC208-24		
NCT209	45	74.6	19	16	83	49	29	83	16	102	117	144	49	35	87	50.8	19.0	NC209	T209	2.79
209-26	1-5/8	2-13/16																NC209-26		
209-27	1-11/16	2-15/16	3/4	5/8	3-17/64	1-15/16	1-9/32	3-17/64	5/8	4-1/64	4-39/64	5-43/64	1-15/16	1-3/8	3-27/64	2.000	0.748	NC209-27		
209-28	1-3/4																	NC209-28		
NCT210	50	85.7	19	16	83	49	29	86	16	102	117	149	49	37	90	53.1	19.0	NC210	T210	3.12
210-31	1-15/16	3-3/8	3/4	5/8	3-17/64	1-15/16	1-9/32	3-25/64	5/8	4-1/64	4-39/64	5-55/64	1-15/16	1-3/8	3-35/64	2.091	0.748	NC210-31		
210-32	2																	NC210-32		
NCT211	55	92.1	25	19	102	64	35	95	22	130	146	171	64	38	106	57.1	22.2	NC211	T211	4.25
211-32	2	3-1/2	63/64	3/4	4-1/64	2-1/32	1-3/8	3-3/4	55/64	5-1/8	5-3/4	6-47/64	2-33/64	1-1/2	4-11/64	2.248	0.874	NC211-32		
211-35	2-3/16	3-5/8																NC211-35		
NCT212	60	104.8	32	19	102	64	35	102	22	130	146	194	64	42	119	66.7	25.4	NC212	T212	5.39
212-36	2-1/4	4-1/16	1-17/64	3/4	4-1/64	2-1/32	1-3/8	4-1/64	55/64	5-1/8	5-3/4	7-41/64	2-33/64	1-21/32	4-11/16	2.626	1.000	NC212-36		
212-39	2-7/16	4-1/8																NC212-39		

Take-up Units

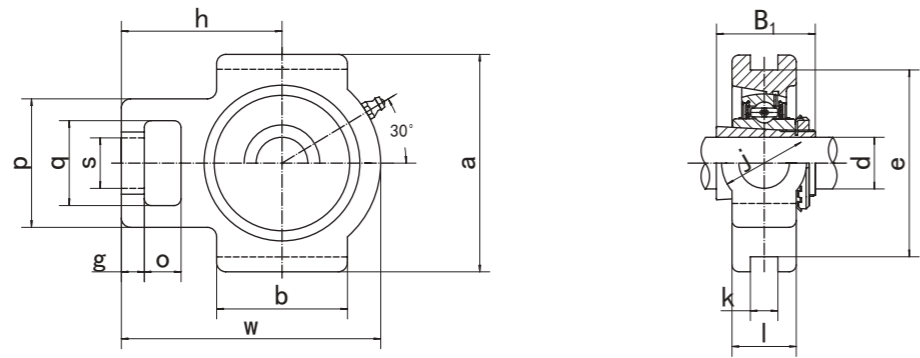
UCTX (Medium-duty)



Unit NO.	Dimensions (mm / in.)																Bearing No.	Housing No.	Weight (kg)		
	d	o	g	p	q	s	b	k	e	a	w	j	l	h	B	n					
UCTX05	25	16	12	56	37	22	57	12	89	102	113	28	37	70	38.1	15.9	UCX05	TX05	1.30		
X05-13	13/16																UCX05-13				
X05-14	7/8	5/8	15/32	2-7/32	1-15/32	55/64	2-1/4	0.472	3-1/2	4-1/64	4-29/64	1-3/32	1-29/64	2-3/4	1.500	0.626	UCX05-14				
X05-15	15/16																UCX05-15				
X05-16	1																UCX05-16				
UCTX06	30	16	15	64	37	22	64	12	89	102	129	30	37	78	42.9	17.5	UCX06	TX06	1.60		
X06-17	1-1/16																UCX06-17				
X06-18	1-1/8	5/8	19/32	2-33/64	1-29/64	55/64	2-33/64	0.472	3-1/2	4-1/64	5-5/64	1-3/16	1-29/64	3-5/64	1.689	0.689	UCX06-18				
X06-19	1-3/16																UCX06-19				
X06-20	1-1/4																UCX06-20				
UCTX07	35	19	17	83	49	29	83	16	102	114	144	36	49	88	49.2	19	UCX07	TX07	2.60		
X07-21	1-5/16																UCX07-21				
X07-22	1-3/8	3/4	21/32	3-17/64	1-15/16	1-9/64	3-17/64	0.630	4-1/64	4-31/64	5-43/64	1-13/32	1-15/16	3-15/32	1.937	0.748	UCX07-22				
X07-23	1-7/16																UCX07-23				
UCTX08	40	19	17	83	49	29	83	16	102	117	144	36	49	87	49.2	19	UCX08			TX08	2.50
X08-24	1-1/2	3/4	21/32	3-17/64	1-15/16	1-9/64	3-17/64	0.630	4-1/64	4-39/64	5-43/64	1-13/32	1-15/16	3-27/64	1.937	0.748	UCX08-24				
X08-25	1-9/16																UCX08-25				
UCTX09	45	19	18	83	49	29	86	16	102	117	151	38	49	92	51.6	19	UCX09	TX09	2.70		
X09-26	1-5/8																UCX09-26				
X09-27	1-11/16	3/4	23/32	3-17/64	1-15/16	1-9/64	3-25/64	0.630	4-1/64	4-39/64	5-15/16	1-1/2	1-15/16	3-5/8	2.0315	0.748	UCX09-27				
X09-28	1-3/4																UCX09-28				
X09-29	1-13/16																UCX09-29				
UCTX10	50	25	21	102	64	35	95	22	130	146	171	42	64	106	55.6	22.2	UCX10	TX10	4.20		
X10-30	1-7/8																UCX10-30				
X10-31	1-15/16	63/64	13/16	4-1/64	2-1/32	1-3/8	3-3/4	0.866	5-1/8	5-3/4	6-47/64	1-21/32	2-33/64	4-11/64	2.189	0.874	UCX10-31				
X10-32	2																UCX10-32				
UCTX11	55	32	21	102	64	35	102	22	130	146	194	44	64	119	65.1	25.4	UCX11			TX11	4.90
X11-33	2-1/16																UCX11-33				
X11-34	2-1/8																UCX11-34				
X11-35	2-3/16	1-17/64	13/16	4-1/64	2-1/32	1-3/8	4-1/64	0.866	5-1/8	5-3/4	7-41/64	1-23/32	2-33/64	4-11/16	2.563	1.000	UCX11-35				
X11-36	2-1/4																UCX11-36				
X11-37	2-5/16																UCX11-37				
UCTX12	60	32	23	111	70	41	121	26	151	167	224	48	70	137	65.1	25.4	UCX12	TX12	7.30		
X12-38	2-3/8																UCX12-38				
X12-39	2-7/16	1-17/64	29/32	4-3/8	2-3/4	1-39/64	4-49/64	1.024	5-15/16	6-37/64	8-13/16	1-57/64	2-3/4	5-25/64	2.563	1.000	UCX12-39				
UCTX13	65	32	23	111	70	41	121	26	151	167	224	48	70	137	74.6	30.2	UCX13			TX13	7.10
X13-40	2-1/2																UCX13-40				
X13-41	2-9/16	1-17/64	29/32	4-3/8	2-3/4	1-39/64	4-49/64	1.024	5-15/16	6-37/64	8-13/16	1-57/64	2-3/4	5-25/64	2.937	1.189	UCX13-41				
UCTX14	70	32	23	111	70	41	121	26	151	167	232	48	70	140	77.8	33.3	UCX14	TX14	7.30		
X14-42	2-5/8																UCX14-42				
X14-43	2-11/16	1-17/64	29/32	4-3/8	2-3/4	1-39/64	4-49/64	1.024	5-15/16	6-37/64	9-9/64	1-57/64	2-3/4	5-33/64	3.063	1.311	UCX14-43				
X14-44	2-3/4																UCX14-44				
UCTX15	75	32	23	111	70	41	121	28	165	184											

UKTX (Medium-duty)

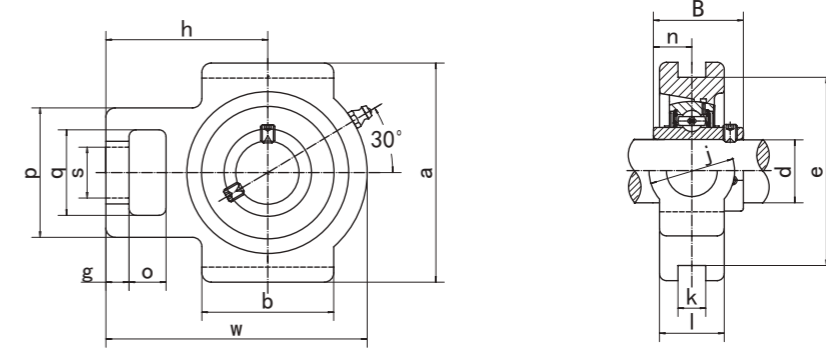
Take-up Units



Unit NO.	Dimensions (mm / in.)																Bearing No.	Housing No.	Weight (kg)
	d	o	g	p	q	s	b	k	e	a	w	l	j	h	B1				
UKTX05;H2305 X05;HE2305	20 3/4	16 5/8	12 15/32	56 2-7/32	37 1-15/32	22 55/64	57 2-1/4	12 0.472	89 3-1/2	102 4-1/4	113 4-29/64	28 1-3/32	37 1-29/64	70 2-3/4	35 1.378	UKX05;H2305 UKX05;HE2305	TX05	1.30	
UKTX06;H2306 X06;HS2306 X06;HE2306	25 7/8 1	16 5/8	15 19/32	64 2-33/64	37 1-29/64	22 55/64	64 2-33/64	12 0.472	89 3-1/2	102 4-1/4	129 5-5/64	30 1-3/16	37 1-29/64	78 3-5/64	38 1.496	UKX06;H2306 UKX06;HS2306 UKX06;HE2306	TX06	1.70	
UKTX07;H2307 X07;HS2307	30 1-1/8	19 3/4	17 21/32	83 3-17/64	49 1-15/16	29 1-9/64	83 3-17/64	16 0.63	102 4-1/4	114 4-31/64	144 5-43/64	36 1-13/32	49 1-15/16	88 3-27/64	43 1.811	UKX07;H2307 UKX07;HS2307	TX07	2.60	
UKTX08;H2308 X08;HE2308 X08;HS2308	35 1-1/4 1-3/8	19 3/4	17 21/32	83 3-17/64	49 1-15/16	29 1-9/64	83 3-17/64	16 0.63	102 4-1/4	117 4-39/64	144 5-43/64	36 1-13/32	49 1-15/16	87 3-27/64	46 1.811	UKX08;H2308 UKX08;HE2308 UKX08;HS2308	TX08	2.50	
UKTX09;H2309 X09;HA2309 X09;HE2309 X09;HS2309	40 1-7/16 1-1/2 1-5/8	19 3/4	18 23/32	83 3-17/64	49 1-15/16	29 1-9/64	86 3-25/64	16 0.63	102 4-1/4	117 4-39/64	151 5-15/16	38 1-1/2	49 1-15/16	92 3-5/8	50 1.969	UKX09;H2309 UKX09;HA2309 UKX09;HE2309 UKX09;HS2309	TX09	2.70	
UKTX10;H2310 X10;HS2310 X10;HA2310 X10;HE2310	45 1-5/8 1-11/16 1-3/4	25 63/64	21 13/16	102 4-1/4	64 2-1/32	35 1-3/8	95 3-3/4	22 0.866	130 5-1/8	146 5-3/4	171 6-47/64	42 1-21/32	64 2-33/64	106 4-11/64	55 2.165	UKX10;H2310 UKX10;HS2310 UKX10;HA2310 UKX10;HE2310	TX10	4.30	
UKTX11;H2311 X11;HS2311 X11;HA2311 X11;HE2311	50 1-7/8 1-15/16 2	32 1-17/64	21 13/16	102 4-1/4	64 2-1/32	35 1-3/8	102 4-1/4	22 0.866	130 5-1/8	146 5-3/4	194 7-41/64	44 1-23/32	64 2-33/64	119 4-11/16	59 2.323	UKX11;H2311 UKX11;HS2311 UKX11;HA2311 UKX11;HE2311	TX11	5.00	
UKTX12;H2312 X12;HS2312	55 2-1/8	32 1-17/64	23 29/32	111 4-3/8	70 2-3/4	41 1-39/64	121 4-49/64	26 1.024	151 5-15/16	167 6-37/64	224 8-13/16	48 1-7/8	70 2-3/4	137 5-25/64	62 2.441	UKX12;H2312 UKX12;HS2312	TX12	7.10	
UKTX13;H2313 X13;HA2313 X13;HE2313 X13;HS2313	60 2-3/16 2-1/4 2-3/8	32 1-17/64	23 29/32	111 4-3/8	70 2-3/4	41 1-39/64	121 4-49/64	26 1.024	151 5-15/16	167 6-37/64	224 8-13/16	48 1-7/8	70 2-3/4	137 5-25/64	65 2.559	UKX13;H2313 UKX13;HA2313 UKX13;HE2313 UKX13;HS2313	TX13	7.10	
UKTX15;H2315 X15;HA2315 X15;HE2315	65 2-7/16 2-1/2	32 1-17/64	23 29/32	111 4-3/8	70 2-3/4	41 1-39/64	121 4-49/64	28 1.102	165 6-1/2	184 7-1/4	235 9-1/4	48 1-57/64	70 2-3/4	140 5-33/64	73 2.874	UKX15;H2315 UKX15;HA2315 UKX15;HE2315	TX15	8.00	
UKTX16;H2316 X16;HA2316 X16;HE2316	70 2-11/16 2-3/4	38 1-1/2	30 1-3/16	124 4-7/8	73 2-7/8	48 1-57/64	157 6-3/16	28 1.102	173 6-13/16	198 7-51/64	260 10-15/64	54 2-1/8	73 2-7/8	162 6-3/8	78 3.071	UKX16;H2316 UKX16;HA2316 UKX16;HE2316	TX16	11.30	
UKTX17;H2317 X17;HA2317 X17;HS2317	75 2-15/16 3	38 1-1/2	30 1-3/16	124 4-7/8	73 2-7/8	48 1-57/64	157 6-3/16	28 1.102	173 6-13/16	198 7-51/64	260 10-15/64	54 2-1/8	73 2-7/8	162 6-3/8	82 3.228	UKX17;H2317 UKX17;HA2317 UKX17;HS2317	TX17	11.30	

UCT3 (Heavy-duty)

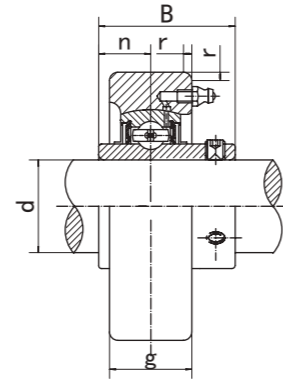
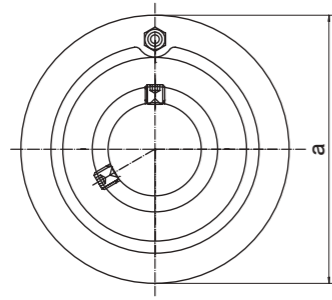
Take-up Units



Unit NO.	Dimensions (mm / in.)																	Bearing No.	Housing No.	Weight (kg)
	d	o	g	p	q	s	b	k	e	a	w	j	l	h	B	n				
UCT305 305-13 305-14 305-15 305-16	25 13/16 7/8 15/16 1	16 5/8	14 9/16	62 2-7/16	36 1-13/32	26 1-1/32	65 2-9/16	12 0.472	80 3-5/32	89 3-1/2	122 4-13/16	36 1-13/32	26 1-1/32	76 3	38 1.4961	15 0.591	UC305 UC305-13 UC305-14 UC305-15 UC305-16	T305	1.20	
UCT306 306-17 306-18 306-19	30 1-1/16 1-1/8 1-3/16	18 23/32	16 5/8	70 2-3/4	41 1-5/8	28 1-3/32	74 2-29/32	16 0.630	90 3-35/64	100 3-15/16	137 5-13/32	41 1-5/8	28 1-3/32	85 3-11/32	43 1.6929	17 0.669	UC306 UC306-17 UC306-18 UC306-19	T306	1.70	
UCT307 307-20 307-21 307-22 307-23	35 1-1/4 1-5/16 1-3/8 1-7/16	20 12/32	17 43/64	75 2-15/16	45 1-25/32	30 1-3/16	80 3-5/32	16 0.630	100 3-15/16	111 4-3/8	150 5-29/32	45 1-25/32	32 1-1/4	94 3-11/16	48 1.8898	19 0.748	UC307 UC307-20 UC307-21 UC307-22 UC307-23	T307	2.30	
UCT308 308-24 308-25	40 1-1/2 1-9/16	22 7/8	19 3/4	83 3-17/64	50 1-31/32	32 1-1/4	89 3-1/2	18 0.709	112 4-13/32	124 4-7/8	162 6-3/8	50 1-31/32	34 1-11/32	100 3-15/16	52 2.0472	19 0.7480	UC308 UC308-24 UC308-25	T308	2.90	
UCT309 309-26 309-27 309-28	45 1-5/8 1-11/16 1-3/4	24 15/16	20 25/32	90 3-17/32	55 2-5/32	34 1-11/32	97 3-13/16	18 0.709	125 4-59/64	138 5-7/16	178 7	55 2-5/32	38 1-1/2	110 4-11/32	57 2.2441	22 0.8660	UC309 UC309-26 UC309-27 UC309-28	T309	4.00	
UCT310 310-29 310-30 310-31	50 1-13/16 1-7/8 1-15/16	27 1-1/16	22 7/8	98 3-27/32	61 2-13/32	37 1-15/32	106 4-3/16	20 0.787	140 5-33/64	151 5-15/16	192 7-9/16	61 2-13/32	40 1-9/16	118 4-21/32	61 2.4016	22 0.8660	UC310 UC310-29 UC310-30 UC310-31	T310	5.00	
UCT311 311-32 311-33 311-34 311-35	55 2 2-1/16 2-1/8 2-3/16	29 1-5/32	23 29/32	105 4-1/8	66 2-19/32	39 1-17/32	115 4-17/32	22 0.866	150 5-29/32	163 6-13/32	207 8-5/32	66 2-19/32	44 1-23/32	127 5	66 2.5984	25 0.9840	UC311 UC311-32 UC311-33 UC311-34 UC311-35	T311	6.20	
UCT312 312-36 312-37 312-38 312-39	60 2-1/4 2-5/16 2-3/8 2-7/16	31 1-7/32	25 31/32	113 4-7/16	71 2-25/32	41 1-5/8	123 4-27/32	22 0.866	160 6-19/64	178 7	220 8-21/32	71 2-25/32	46 1-13/16	135 5-5/16	71 2.7953	26 1.0240	UC312 UC312-36 UC312-37 UC312-38 UC312-39	T312	7.50	
UCT313 313-40 313-41	65 2-1/2 2-9/16	32 1-17/64	27 1-1/16	116 4-9/16	70 2-3/4	43 1-11/16	134 5-9/32	26 1.024	170 6-11/16	190 7-15/32	238 9-3/8	80 3-5/32	50 1-31/32	146 5-3/4	75 2.9528	30 1.1810	UC313 UC313-40 UC313-41	T313	9.30	
UCT314 314-42 314-43 314-44	70 2-5/8 2-11/16 2-3/4	36 1-13/32	27 1-1/16	130 5-1/8	85 3-11/32	46 1-13/16	140 5-1/2	26 1.024	180 7-3/32	202 7-15/16	252 9-29/32	90 3-17/32	52 2-1/16	155 6-3/32	78 3.0708	33 1.2990	UC314 UC314-42 UC314-43 UC314-44	T314	10.90	
UCT315 315-45 315-46 315-47 315-48	75 2-13/16 2-7/8 2-15/16 3	36 1-13/32	27 1-1/16	132 5-3/16	85 3-11/32	46 1-13/16	150 5-29/32	26 1.024	192 7-9/16	216 8-1/2	262 10-5/16	90 3-17/32	55 2-5/32	160 6-5/16	82 3.2283	32 1.2600	UC315 UC315-45 UC315-46 UC315-47 UC315-48	T315	12.70	
UCT316 316-49 316-50 316-51	80 3-1/16 3-1/8 3-3/16	42 1-21/32	30 1-3/16	150 5-29/32	98 3-27/32	53 2-3/32	160 6-5/16	30 1.181	204 8-1/32	230 9-1/16	282 11-3/32	102 4-1/32	60 2-3/8	174 6-27/32	86 3.3858	34 1.2600	UC316 UC316-49 UC316-50 UC316-51	T316	15.80	
UCT317 317-52 317-53 317-55	85 3-1/4 3-5/16 3-7/16	42 1-21/32	32 1-1/4	152 5-31/32	98 3-27/32	53 2-3/32	170 6-11/16	32 1.260	214 8-27/64	240 9-7/16	298 11-23/32	102 4-1/32	64 2-17/32	183 7-7/32	96 3.7795	40 1.5750	UC317 UC317-52 UC317-53 UC317-55	T317	18.60	
UCT318 318-55 318-56	90 3-7/16 3-1/2	46 1-13/16	32 1-1/4	160 6-5/16	106 4-3/16	57 2-1/4	175 6-7/8	32 1.260	228 8-31/32	255 10-1/32	312 12-19/32	110 4-11/32	66 2-19/32	192 7-9/16	96 3.7795	40 1.5750	UC318 UC318-55 UC318-56	T318	21.00	
UCT319 319-58 319-59 317-60	95 3-5/8 3-11/16 3-3/4	46 1-13/16	33 1-5/16	165 6-1/2	106 4-3/16	57 2-1/4	180 7-3/32	35 1.378	240 9-29/64	270 10-5/8	322 12-11/16	110 4-11/32	72 2-27/32	197 7-3/4	103 4.0551	41 1.6140	UC319 UC319-58 UC319-59 UC317-60	T319	24.60	
UCT320 320-64	100 4	48 1-7/8	32 1-1/4	175 6-7/8	115 4-17/32	59 2-21/64	200 7-7/8	35 1.378	260 10-15/64	290 11-13/32	345 13-19/32	120 4-23/32	75 2-15/16	210 8-9/32	108 4.2519	42 1.6535	UC320 UC320-64	T320	29.90	
UCT322	110	52 2-1/16	38 1-1/2	185 7-9/32	125 4-29/32	65 2-9/16	215 8-15/32	38 1.496	285 11-7/32	320 12-19/32	385 15-5/32	130 5-1/8	80 3-5/32	235 9-1/4	117 4.6063	46 1.8110	UC322	T322	39.40	
UCT324	120	60 2-3/8	42 1-21/32	210 8-9/32	140 5-1/2	70 2-3/4	230 9-1/16	45 1.772	320 12-19/32	355 13-31/32	432 17	140 5-1/2	90 3-17/32	267 10-1/2	126 4.9606	51 2.0079	UC324	T324	54.20	
UCT326	130	65 2-9/16	45 1-25/32	220 8-21/32	150 5-29/32	75 2-31/32	240 9-7/16	50 1.969	350 13-25/32	385 15-5/32	465 5-29/32	150 3-15/16	100 3-15/16	285 11-7/32	135 5.3150	54 2.1260	UC326	T326	68.40	
UCT328	140	70 2-3/4	50 1-31/32																	

UCC2 (Normal-duty)

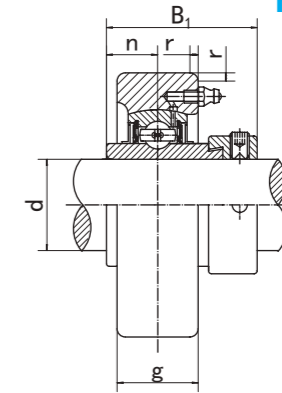
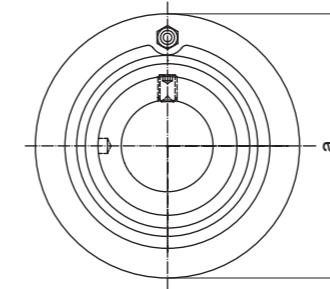
Cartridge Units



Unit NO.	Dimensions (mm / in.)						Bearing No.	Housing No.	Weight (kg)
	d	a	g	r	B	n			
UCC201 201-8	12 1/2	72 2.8346	20 25/32	2 0.079	31 1.2205	12.7 0.500	UC201 UC201-8	C201	0.52 0.51
UCC202 202-9 202-10	15 9/16 5/8	72 2.8346	20 25/32	2 0.079	31 1.2205	12.7 0.500	UC202 UC202-9 UC202-10	C202	0.51 0.51 0.51
UCC203 203-11	17 11/16	72 2.8346	20 25/32	2 0.079	31 1.2205	12.7 0.500	UC203 UC203-11	C203	0.50 0.49
UCC204 204-12	20 3/4	72 2.8346	20 25/32	2 0.079	31 1.2205	12.7 0.500	UC204 UC204-12	C204	0.48 0.48
UCC205 205-13 205-14 205-15 205-16	25 13/16 7/8 15/16 1	80 3.1496	22 55/64	2 0.079	34.1 1.3425	14.3 0.563	UC205 UC205-13 UC205-14 UC205-15 UC205-16	C205	0.63 0.67 0.66 0.64 0.63
UCC206 206-17 206-18 206-19 206-20	30 1-1/16 1-1/8 1-3/16 1-1/4	85 3.3465	27 1-1/16	2 0.079	38.1 1.5000	15.9 0.626	UC206 UC206-17 UC206-18 UC206-19 UC206-20	C206	0.79 0.80 0.81 0.79 0.78
UCC207 207-20 207-21 207-22 207-23	35 1-1/4 1-5/16 1-3/8 1-7/16	90 3.5433	28 1-7/64	2 0.079	42.9 1.6890	17.5 0.689	UC207 UC207-20 UC207-21 UC207-22 UC207-23	C207	0.88 0.94 0.91 0.88 0.85
UCC208 208-24 208-25	40 1-1/2 1-9/16	100 3.9370	30 1-3/16	2.5 0.098	49.2 1.9370	19 0.748	UC208 UC208-24 UC208-25	C208	1.17 1.21 1.18
UCC209 209-26 209-27 209-28	45 1-5/8 1-11/16 1-3/4	110 4.3307	31 1-7/32	2.5 0.098	49.2 1.9370	19 0.748	UC209 UC209-26 UC209-27 UC209-28	C209	1.46 1.56 1.52 1.48
UCC210 210-29 210-30 210-31 210-32	50 1-13/16 1-7/8 1-15/16 2	120 4.7244	33 1-19/64	2.5 0.098	51.6 2.0315	19 0.748	UC210 UC210-29 UC210-30 UC210-31 UC210-32	C210	1.85 1.97 1.92 1.87 1.83
UCC211 211-32 211-33 211-34 211-35	55 2 2-1/16 2-1/8 2-3/16	125 4.9213	35 1-3/8	2.5 0.098	55.6 2.1890	22.2 0.874	UC211 UC211-32 UC211-33 UC211-34 UC211-35	C211	2.05 2.20 2.14 2.10 2.03
UCC212 212-36 212-37 212-38 212-39	60 2-1/4 2-5/16 2-3/8 2-7/16	130 5.1181	38 1-1/2	2.5 0.098	65.1 2.5630	25.4 1.000	UC212 UC212-36 UC212-37 UC212-38 UC212-39	C212	2.36 2.49 2.41 2.34 2.27
UCC213 213-40 213-41	65 2-1/2 2-9/16	140 5.5118	40 1-37/64	3 0.118	65.1 2.5630	25.4 1.000	UC213 UC213-40 UC213-41	C213	2.79 2.88 2.79

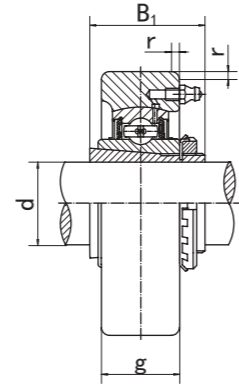
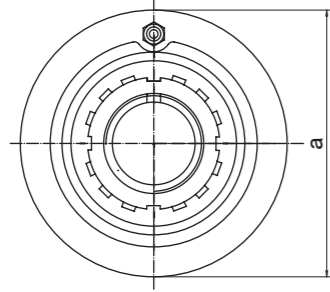
Cartridge Units

HCC2 (Normal-duty)



Unit NO.	Dimensions (mm / in.)						Bearing No.	Housing No.	Weight (kg)
	d	a	g	r	B ₁	n			
HCC204 204-12	20 3/4	72 2.8346	20 25/32	2 0.079	43.7 1.720	17.1 0.673	HC204 HC204-12	C204	0.54 0.54
HCC205 205-13 205-14 205-15 205-16	25 13/16 7/8 15/16 1	80 3.1496	22 55/64	2 0.079	44.4 1.748	17.5 0.689	HC205 HC205-13 HC205-14 HC205-15 HC205-16	C205	0.69 0.74 0.73 0.71 0.69
HCC206 206-17 206-18 206-19 206-20	30 1-1/16 1-1/8 1-3/16 1-1/4	85 3.3465	27 1-1/16	2 0.079	48.4 1.906	18.3 0.720	HC206 HC206-17 HC206-18 HC206-19 HC206-20	C206	0.86 0.91 0.88 0.86 0.83
HCC207 207-20 207-21 207-22 207-23	35 1-1/4 1-5/16 1/3/8 1-7/16	90 3.5433	28 1-7/64	2 0.079	51.1 2.012	18.8 0.740	HC207 HC207-20 HC207-21 HC207-22 HC207-23	C207	1.02 1.09 1.05 1.02 1.00
HCC208 208-24 208-25	40 1-1/2 1-9/16	100 3.9370	30 1-3/16	2.5 0.098	56.3 2.217	21.4 0.843	HC208 HC208-24 HC208-25	C208	1.30 1.35 1.31
HCC209 209-26 209-27 209-28	45 1-5/8 1-11/16 1-3/4	110 4.3307	31 1-7/32	2.5 0.098	56.3 2.217	21.4 0.843	HC209 HC209-26 HC209-27 HC209-28	C209	1.59 1.70 1.65 1.61
HCC210 210-29 210-30 210-31 210-32	50 1-13/16 1-7/8 1-15/16 2	120 4.7244	33 1-19/64	2.5 0.098	62.7 2.469	24.6 0.969	HC210 HC210-29 HC210-30 HC210-31 HC210-32	C210	2.04 2.09 2.13 2.07 2.01
HCC211 211-32 211-33 211-34 211-35	55 2 2-1/16 2-1/8 2-3/16	125 4.9213	35 1-3/8	2.5 0.098	71.4 2.811	27.8 1.094	HC211 HC211-32 HC211-33 HC211-34 HC211-35	C211	2.31 2.61 2.43 2.36 2.28
HCC212 212-36 212-37 212-38 212-39	60 2-1/4 2-5/16 2-3/8 2-7/16	130 5.1181	38 1-1/2	2.5 0.098	77.8 3.063	31 1.220	HC212 HC212-36 HC212-37 HC212-38 HC212-39	C212	2.68 2.70 2.75 2.68 2.67
HCC213 213-40 213-41	65 2-1/2 2-9/16	140 5.5118	40 1-37/64	3 0.118	85.7 3.374	34.1 1.343	HC213 HC213-40 HC213-41	C213	3.33 3.44 3.32

UKC2 (Normal-duty)

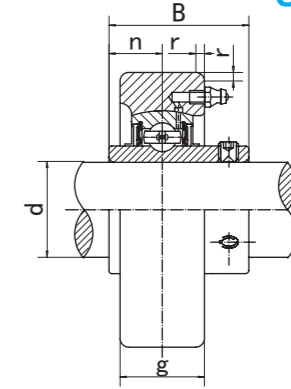
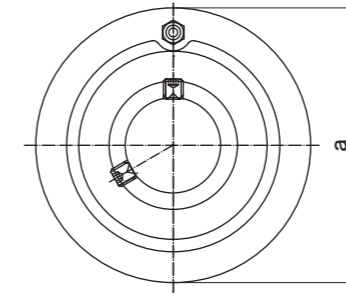


Cartridge Units
(with adapter mounted)

Unit NO.	Dimensions (mm / in.)					Bearing No.	Housing No.	Weight (kg)
	d	a	g	r	B ₁			
UKC205;H2305 205;HE2305	20 3/4	80 3.1496	22 55/64	2 0.079	35 1.378	UK205;H2305 UK205;HE2305	C205	0.68
UKC206;H2306 206;HS2306 206;HE2306	25 7/8 1	85 3.3465	27 1-1/16	2 0.079	38 1.496	UK206;H2306 UK206;HS2306 UK206;HE2306	C206	0.85
UKC207;H2307 207;HS2307	30 1-1/8	90 3.5433	28 1-7/64	2 0.079	43 1.693	UK207;H2307 UK207;HS2307	C207	0.95
UKC208;H2308 208;HE2308 208;HS2308	35 1-1/4 1-3/8	100 3.937	30 1-3/16	2.5 0.098	46 1.811	UK208;H2308 UK208;HE2308 UK208;HS2308	C208	1.25
UKC209;H2309 209;HA2309 209;HE2309 209;HS2309	40 1-7/16 1-1/2 1-5/8	110 4.3307	31 1-7/32	2.5 0.098	50 1.969	UK209;H2309 UK209;HA2309 UK209;HE2309 UK209;HS2309	C209	1.58
UKC210;H2310 210;HS2310 210;HA2310 210;HE2310	45 1-5/8 1-11/16 1-3/4	120 4.7244	33 1-19/64	2.5 0.098	55 2.165	UK210;H2310 UK210;HS2310 UK210;HA2310 UK210;HE2310	C210	2.03
UKC211;H2311 211;HS2311 211;HA2311 211;HE2311	50 1-7/8 1-15/16 2	125 4.9213	35 1-3/8	2.5 0.098	59 2.323	UK211;H2311 UK211;HS2311 UK211;HA2311 UK211;HE2311	C211	2.21
UKC212;H2312 212;HS2312	55 2-1/8	130 5.1181	38 1-1/2	2.5 0.098	62 2.441	UK212;H2312 UK212;HS2312	C212	2.44
UKC213;H2313 213;HA2313 213;HE2313 213;HS2313	60 2-3/16 2-1/4 2-3/8	140 5.5118	40 1-37/64	3 0.118	65 2.559	UK213;H2313 UK213;HA2313 UK213;HE2313 UK213;HS2313	C213	2.91

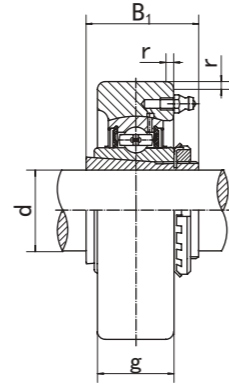
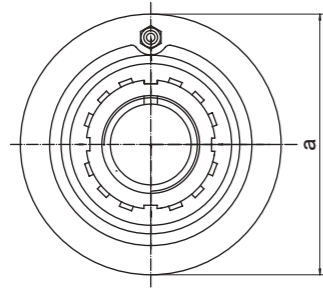
UCCX (Medium-duty)

Cartridge Units



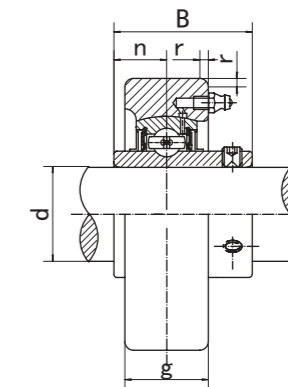
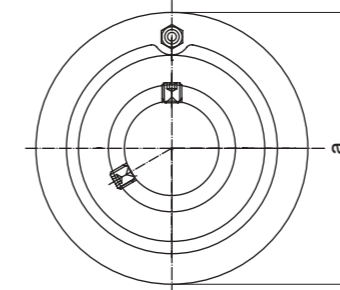
Unit NO.	Dimensions (mm / in.)						Bearing No.	Housing No.	Weight (kg)
	d	a	g	r	B	n			
UCCX05 X05-13 X05-14 X05-15 X05-16	25 13/16 7/8 15/16 1	90 3.5433	27 1-1/16	2 0.079	38.1 1.5000	15.9 0.626	UCX05 UCX05-13 UCX05-14 UCX05-15 UCX05-16	CX05	1.00
UCCX06 X06-17 X06-18 X06-19 X06-20	30 1-1/16 1-1/8 1-3/16 1-1/4	100 3.937	30 1-3/16	2.5 0.098	42.9 1.6890	17.5 0.689	UCX06 UCX06-17 UCX06-18 UCX06-19 UCX06-20	CX06	1.30
UCCX07 X07-21 X07-22 X07-23	35 1-5/16 1/3/8 1-7/16	110 4.3307	34 1-11/32	2.5 0.098	49.2 1.937	19 0.748	UCX07 UCX07-21 UCX07-22 UCX07-23	CX07	1.70
UCCX08 X08-24 X08-25	40 1-1/2 1-9/16	120 4.7244	38 1-1/2	2.5 0.098	49.2 1.937	19 0.748	UCX08 UCX08-24 UCX08-25	CX08	2.20
UCCX09 X09-26 X09-27 X09-28 X09-29	45 1-5/8 1-11/16 1-3/4 1-13/16	120 4.7244	38 1-1/2	2.5 0.098	51.6 2.0315	19 0.748	UCX09 UCX09-26 UCX09-27 UCX09-28 UCX09-29	CX09	2.10
UCCX10 X10-30 X10-31 X10-32	50 1-7/8 1-15/16 2	130 5.1181	40 1-37/64	2.5 0.098	55.6 2.189	22.2 0.874	UCX10 UCX10-30 UCX10-31 UCX10-32	CX10	2.60
UCCX11 X11-33 X11-34 X11-35 X11-36 X11-37	55 2-1/16 2-1/8 2-3/16 2-1/4 2-5/16	150 5.9055	42 1-21/32	3 0.118	65.1 2.563	25.4 1.00	UCX11 UCX11-33 UCX11-34 UCX11-35 UCX11-36 UCX11-37	CX11	3.90
UCCX12 X12-38 X12-39	60 2-3/8 2-7/16	160 6.2992	44 1-47/64	3 0.118	65.1 2.563	25.4 1.00	UCX12 UCX12-38 UCX12-39	CX12	4.60

Cartridge Units



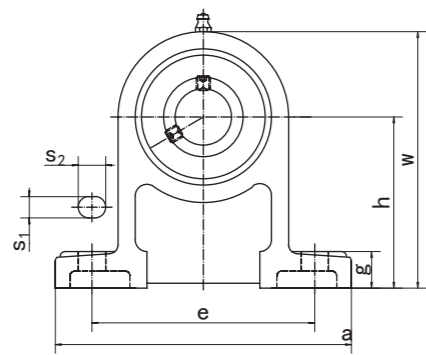
Unit NO.	Dimensions (mm / in.)					Bearing No.	Housing No.	Weight (kg)
	d	a	g	r	B1			
UKCX05;H2305	20	90	27	2	35	UKX05;H2305	CX05	1.00
X05;HE2305	3/4	3.5433	1-1/16	0.079	1.378	UKX05;HE2305		
UKCX06;H2306	25	100	30	2.5	38	UKX06;H2306	CX06	1.30
X06;HS2306	7/8	3.937	1-3/16	0.098	1.496	UKX06;HS2306		
X06;HE2306	1					UKX06;HE2306		
UKCX07;H2307	30	110	34	2.5	43	UKX07;H2307	CX07	1.70
X07;HS2307	1-1/8	4.3307	1-11/32	0.098	1.693	UKX07;HS2307		
UKCX08;H2308	35	120	38	2.5	46	UKX08;H2308	CX08	2.20
X08;HE2308	1-1/4	4.7244	1-1/2	0.098	1.811	UKX08;HE2308		
X08;HS2308	1-3/8					UKX08;HS2308		
UKCX09;H2309	40	120	38	2.5	50	UKX09;H2309	CX09	2.20
X09;HA2309	1-7/16	4.7244	1-1/2	0.098	1.969	UKX09;HA2309		
X09;HE2309	1-1/2					UKX09;HE2309		
UKCX10;H2310	45	130	40	2.5	55	UKX10;H2310	CX10	2.70
X10;HS2310	1-5/8	5.1181	1-37/64	0.098	2.165	UKX10;HS2310		
X10;HA2310	1-11/16					UKX10;HA2310		
UKCX11;H2311	50	150	42	3	59	UKX11;H2311	CX11	3.90
X11;HS2311	1-7/8	5.9055	1-21/32	0.118	2.323	UKX11;HS2311		
X11;HA2311	1-15/16					UKX11;HA2311		
UKCX12;H2312	55	160	44	3	62	UKX12;H2312	CX12	4.40
X12;HS2312	2-1/8	6.2992	1-23/32	0.118	2.441	UKX12;HS2312		

Cartridge Units

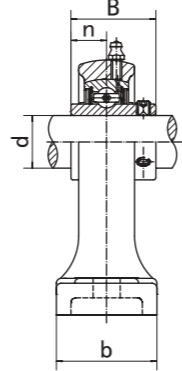


Unit NO.	Dimensions (mm / in.)						Bearing No.	Housing No.	Weight (kg)
	d	a	g	r	B	n			
UCC305	25	90	26	2.5	38	15	UC305	C305	0.93
305-13	13/16	3.5433	1-1/32	0.098	1.4961	0.591	UC305-13		0.98
305-14	7/8						UC305-14		0.96
305-15	15/16						UC305-15		0.94
305-16	1						UC305-16		0.93
UCC306	30						100	28	2.5
306-17	1-1/16	3.9370	1-7/64	0.098	1.6929	0.669	UC306-17	1.33	
306-18	1-1/8						UC306-18	1.30	
306-19	1-3/16						UC306-19	1.28	
UCC307	35	110	32	3	48	19	UC307	1.67	
307-20	1-1/4	4.3307	1-17/64	0.118	1.8897	0.748	UC307-20	1.73	
307-21	1-5/16						UC307-21	1.70	
307-22	1/3/8						UC307-22	1.67	
307-23	1-7/16						UC307-23	1.64	
UCC308	40	120	34	3	52	19	UC308	2.11	
308-24	1-1/2	4.7244	1-11/32	0.118	2.0472	0.748	UC308-24	2.16	
308-25	1-9/16						UC308-25	2.12	
UCC309	45	130	38	3.5	57	22	UC309	2.71	
309-26	1-5/8	2.1181	1-1/2	0.138	2.441	0.866	UC309-26	2.80	
309-27	1-11/16						UC309-27	2.76	
309-28	1-3/4						UC309-28	2.71	
UCC310	50	140	40	3.5	61	22	UC310	3.27	
310-29	1-13/16	5.5118	1-37/64	0.138	2.4015	0.866	UC310-29	3.61	
310-30	1-7/8						UC310-30	3.36	
310-31	1-15/16						UC310-31	3.30	
UCC311	55	150	44	3.5	66	25	UC311	4.01	
311-32	2	5.9055	1-47/64	0.138	2.5984	0.984	UC311-32	4.19	
311-33	2-1/16						UC311-33	4.12	
311-34	2-1/8						UC311-34	4.06	
311-35	2-3/16						UC311-35	3.98	
UCC312	60	160	46	3.5	71	26	UC312	4.78	
312-36	2-1/4	6.2992	1-13/16	0.138	2.7953	1.024	UC312-36	4.93	
312-37	2-5/16						UC312-37	4.85	
312-38	2-3/8						UC312-38	4.76	
312-39	2-7/16						UC312-39	4.68	
UCC313	65	170	50	3.5	75	30	UC313	5.71	
313-40	2-1/2	6.6929	1-31/32	0.138	2.9528	1.181	UC313-40	5.80	
313-41	2-9/16						UC313-41	5.70	
UCC314	70	180	52	4	78	33	UC314	6.61	
314-42	2-5/8	7.0866	2-3/64	0.157	3.0709	1.299	UC314-42	6.83	
314-43	2-11/16						UC314-43	6.72	
314-44	2-3/4						UC314-44	6.62	
UCC315	75	190	55	4	82	32	UC315	7.68	
315-45	2-13/16	7.4803	2-11/64	0.157	3.2288	1.26	UC315-45	7.95	
315-46	2-7/8						UC315-46	7.81	
315-47	2-15/16						UC315-47	7.72	
315-48	3						UC315-48	7.59	
UCC316	80	200	60	4	86	34	UC316	8.95	
316-49	3-1/16	7.8740	2-23/64	0.157	3.3858	1.339	UC316-49	9.12	
316-50	3-1/8						UC316-50	8.98	
316-51	3-3/16						UC316-51	8.89	
UCC317	85	215	64	4	96	40	UC317	11.26	
317-52	3-1/4	8.4646	2-33/64	0.157	3.7795	1.575	UC317-52	11.48	
317-53	3-5/16						UC317-53	11.45	
317-55	3-7/16						UC317-55	11.23	
UCC318	90	225	66	4	96	40	UC318	12.52	
318-55	3-7/16	8.8583	2-19/32	0.157	3.7795	1.575	UC318-55	12.81	
318-56	3-1/2						UC318-56	12.63	
UCC319	95	240	72	4	103	41	UC319	15.00	
319-58	3-5/8	9.4488	2-53/64	0.157	4.0551	1.614	UC319-58	15.33	
319-59	3-11/16						UC319-59	15.15	
317-60	3-3/4						UC317-60	14.96	
UCC320	100	260	75	4	108	42	UC320	19.60	
320-64	4	10.2362	2-61/64	0.157	4.2519	1.645	UC320-64	19.40	
UCC322	110	300	80	5	117	46	UC322	29.20	
		11.8110	3-5/32	0.197	4.6063	1.811			
UCC324	120	320	90	5	126	51	UC324	35.90	
		12.5984	3-35/64	0.197	4.9606	2.008			
UCC326	130	340	100	5	135	54	UC326	43.00	
		13.3858	3-15/16	0.197	5.3150	2.126			
UCC328	140	360	100	5	145	59	UC328	52.90	
		14.1732	3-15/16	0.197	5.7086	3.323			

UCPH2 (Normal-duty)



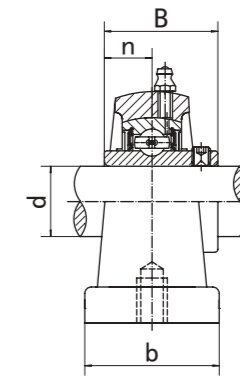
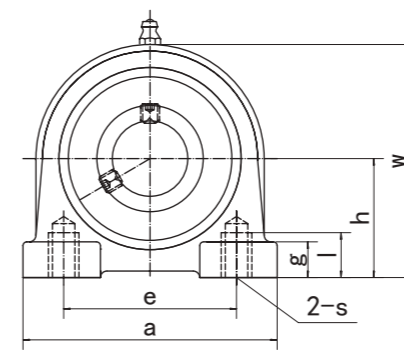
Pillow Blocks
(with setscrews)



Unit NO.	Dimensions (mm / in.)											Bolt Size mm/in.	Bearing No.	Housing No.	Weight (kg)
	d	h	a	e	b	s ₁	s ₂	g	w	B	n				
UCPH201 201-8	12 1/2	70 2-3/4	127 5	95 3-3/4	40 1-9/16	13 1/2	19 3/4	15 19/32	101 3-63/64	31 1.2205	12.7 0.500	M10 3/8	UC201 UC201-8	PH201	0.84 0.83
UCPH202 202-9 202-10	15 9/16 5/8	70 2-3/4	127 5	95 3-3/4	40 1-9/16	13 1/2	19 3/4	15 19/32	101 3-63/64	31 1.2205	12.7 0.500	M10 3/8	UC202 UC202-9 UC202-10	PH202	0.83 0.83 0.83
UCPH203 203-11	17 11/16	70 2-3/4	127 5	95 3-3/4	40 1-9/16	13 1/2	19 3/4	15 19/32	101 3-63/64	31 1.2205	12.7 0.500	M10 3/8	UC203 UC203-11	PH203	0.82 0.81
UCPH204 204-12	20 3/4	70 2-3/4	127 5	95 3-3/4	40 1-9/16	13 1/2	19 3/4	15 19/32	101 3-63/64	31 1.2205	12.7 0.500	M10 3/8	UC204 UC204-12	PH204	0.80 0.80
UCPH205 205-13 205-14 205-15 205-16	25 13/16 7/8 15/16 1	80 3-5/32	140 5-1/2	105 4-1/8	50 1-31/32	13 1/2	19 3/4	16 5/8	114 4-31/64	34.1 1.3425	14.3 0.563	M10 3/8	UC205 UC205-13 UC205-14 UC205-15 UC205-16	PH205	1.04 1.08 1.07 1.05 1.04
UCPH206 206-17 206-18 206-19 206-20	30 1-1/16 1-1/8 1-3/16 1-1/4	90 3-35/64	161 6-11/32	121 4-3/4	50 1-31/32	17 43/64	21 53/64	17 43/64	130 5-1/8	38.1 1.5000	15.9 0.626	M14 1/2	UC206 UC206-17 UC206-18 UC206-19 UC206-20	PH206	1.45 1.46 1.47 1.45 1.44
UCPH207 207-20 207-21 207-22 207-23	35 1-1/4 1-5/16 1-3/8 1-7/16	95 3-47/64	166 6-17/32	127 5	60 2-23/64	17 43/64	21 53/64	18 45/64	140 5-33/64	42.9 1.6890	17.5 0.689	M14 1/2	UC207 UC207-20 UC207-21 UC207-22 UC207-23	PH207	1.83 1.89 1.86 1.83 1.80
UCPH208 208-24 208-25	40 1-1/2 1-9/16	100 3-15/16	178 7-1/64	137 5-13/32	70 2-3/4	17 43/64	21 53/64	19 3/4	150 5-29/32	49.2 1.9370	19 0.748	M14 1/2	UC208 UC208-24 UC208-25	PH208	2.40 2.44 2.41
UCPH209 209-26 209-27 209-28	45 1-5/8 1-11/16 1-3/4	105 4-9/64	189 7-7/16	146 5-3/4	70 2-3/4	17 43/64	21 53/64	20 25/32	158 6-7/32	49.2 1.9370	19 0.748	M14 1/2	UC209 UC209-26 UC209-27 UC209-28	PH209	2.67 2.77 2.37 2.69
UCPH210 210-29 210-30 210-31 210-32	50 1-13/16 1-7/8 1-15/16 2	110 4-21/64	205 8-5/64	159 6-1/4	70 2-3/4	20 25/32	23 29/32	21 53/64	165 6-1/2	51.6 2.0315	19 0.748	M16 5/8	UC210 UC210-29 UC210-30 UC210-31 UC210-32	PH210	2.97 3.09 3.04 2.99 2.95
UCPH211 211-32 211-33 211-34 211-35	55 2 2-1/16 2-1/8 2-3/16	120 4-23/32	219 8-5/8	171 6-47/64	75 2-61/64	20 25/32	23 29/32	22 55/64	181 7-1/8	55.6 2.1890	22.2 0.874	M16 5/8	UC211 UC211-32 UC211-33 UC211-34 UC211-35	PH211	3.82 3.97 3.87 3.91 3.80
UCPH212 212-36 212-37 212-38 212-39	60 2-1/4 2-5/16 2-3/8 2-7/16	130 5-1/8	241 9-1/2	184 7-1/4	85 3-11/32	20 25/32	23 29/32	25 63/64	197 7-3/4	65.1 2.5630	25.4 1.000	M16 5/8	UC212 UC212-36 UC212-37 UC212-38 UC212-39	PH212	5.01 5.14 5.06 4.99 4.92
UCPH213 213-40 213-41	65 2-1/2 2-9/16	140 5-33/64	265 10-7/16	203 8	95 3-3/4	25 63/64	28 1-3/32	27 1-1/16	212 8-11/32	65.1 2.5630	25.4 1.000	M20 3/4	UC213 UC213-40 UC213-41	PH213	6.11 6.20 6.11
UCPH214 214-42 214-43 214-44	70 2-5/8 2-11/16 2-3/4	150 5-29/32	266 10-15/32	210 8-17/64	105 5-9/64	25 63/64	28 1-3/32	28 1-7/64	225 8-55/64	74.6 2.9370	30.2 1.189	M20 3/4	UC214 UC214-42 UC214-43 UC214-44	PH214	7.06 7.27 7.17 7.07
UCPH215 215-45 215-46 215-47 215-48	75 2-13/16 2-7/8 2-15/16 3	160 6-19/64	275 10-53/64	217 8-35/64	115 4-17/32	25 63/64	28 1-3/32	29 1-9/64	238 9-3/8	77.8 3.0630	33.3 1.311	M20 3/4	UC215 UC215-45 UC215-46 UC215-47 UC215-48	PH215	7.98 7.98 8.23 8.12 7.92
UCPH216 216-49 216-50 216-51	80 3-1/16 3-1/8 3-3/16	170 6-11/16	292 11-1/2	232 9-1/8	125 4-59/64	25 63/64	28 1-3/32	30 1-3/16	253 9-61/64	82.6 3.2520	33.3 1.311	M20 3/4	UC216 UC216-49 UC216-50 UC216-51	PH216	9.30 9.48 9.35 9.22

UCPA2 (Normal-duty)

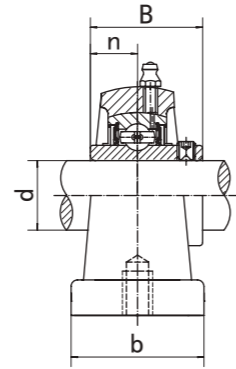
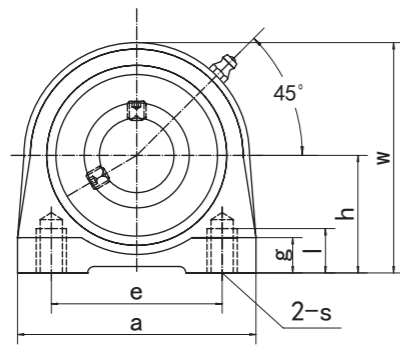
Pillow Blocks



Unit NO.	Dimensions (mm / in.)											Bolt Size mm/in.	Bearing No.	Housing No.	Weight (kg)				
	d	h	a	e	b	s	g	l	w	B	n								
UCPA201 201-8	12 1/2	30.2	76	52	40	s	11	15	62	31	12.7	M10	UC201 UC201-8	PA201	0.63 0.62				
UCPA202 202-9 202-10	15 9/16 5/8	1-3/16	3	2-3/64	1-9/16	M10	7/16	19/32	2-7/16	1.2205	0.500		M10	UC202 UC202-9 UC202-10	PA202	0.62 0.62 0.62			
UCPA203 203-11	17 11/16													UC203 UC203-11	PA203	0.61 0.60			
UCPA204 204-12	20 3/4	UC204 UC204-12	PA204	0.59 0.59															
UCPA205 205-13 205-14 205-15 205-16	25 13/16 7/8 15/16 1	36.5	84	56	38	M10	12	15	72	34.1	14.3	M10		UC205 UC205-13 UC205-14 UC205-15 UC205-16	PA205	0.76 0.79 0.78 0.76 0.75			
UCPA206 206-17 206-18 206-19 206-20	30 1-1/16 1-1/8 1-3/16 1-1/4	42.9	94	66	50		M14	12	18	84	38.1		15.9	M14	UC206 UC206-17 UC206-18 UC206-19 UC206-20	PA206	1.12 1.13 1.14 1.12 1.11		
UCPA207 207-20 207-21 207-22 207-23	35 1-1/4 1-5/16 1-3/8 1-7/16	47.6	110	80	55			M14	13	20	95		42.9		17.5	M14	UC207 UC207-20 UC207-21 UC207-22 UC207-23	PA207	1.55 1.61 1.58 1.55 1.52
UCPA208 208-24 208-25	40 1-1/2 1-9/16	49.2	116	84	58				M14	13	20		100		49.2		19	M14	UC208 UC208-24 UC208-25
UCPA209 209-26 209-27 209-28	45 1-5/8 1-11/16 1-3/4	54.2	120	90	60	M14				13	25	108	49.2		19		M14		UC209 UC209-26 UC209-27 UC209-28
UCPA210 210-29 210-30 210-31 210-32	50 1-13/16 1-7/8 1-15/16 2	57.2	130	94	64		M16			14	25	116	51.6	19	M16				UC210 UC210-29 UC210-30 UC210-31 UC210-32
UCPA211 211-32 211-33 211-34 211-35	55 2 2-1/16 2-1/8 2-3/16	63.5	140	104	66			M16		14	25	125	55.6	22.2		M16			UC211 UC211-32 UC211-33 UC211-34 UC211-35
UCPA212 212-36 212-37 212-38 212-39	60 2-1/4 2-5/16 2-3/8 2-7/16	69.9	150	114	68				M16	15	25	138	65.1	25.4				M16	UC212 UC212-36 UC212-37 UC212-38 UC212-39
UCPA213 213-40 213-41	65 2-1/2 2-9/16	76.2	160	124	70	M16				15	25	150	65.1	25.4			M16		UC213 UC213-40 UC213-41

UCPG2 (Normal-duty)

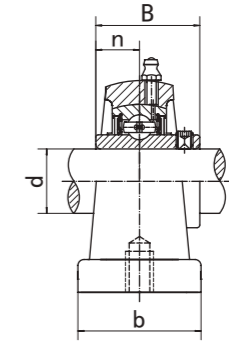
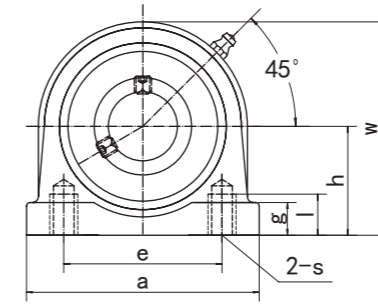
Pillow Blocks



Unit NO.	Dimensions (mm / in.)											Bolt Size mm/in.	Bearing No.	Housing No.	Weight (kg)
	d	h	a	e	b	s	g	l	w	B	n				
UCPG201 201-8	12 1/2	33.3	70	49	38		14	14	64	31	12.7	M8	UC201	PG201	0.63
UCPG202 202-9 202-10	15 9/16 5/8	1-5-16	2-3/4	1-59/64	1-1/2	M8	35/64	35/64	2-23/64	1.2205	0.500		UC201-8	PG201	0.62
UCPG203 203-11	17 11/16												UC202	PG202	0.62
UCPG204 204-12	20 3/4												UC202-9	PG202	0.62
												UC202-10	PG202	0.62	
UCPG205 205-13 205-14 205-15 205-16	25 13/16 7/8 15/16 1	36.5	75	50	38		15	15	70	34.1	14.3	M10	UC203	PG203	0.61
		1-7/16	2-61/64	1-31/32	1-1/2	M10	19/32	19/32	2-3/4	1.3425	0.563		UC203-11	PG203	0.60
													UC204	PG204	0.59
													UC204-12	PG204	0.59
													UC205	PG205	0.69
												UC205-13	PG205	0.73	
UCPG206 206-17 206-18 206-19 206-20	30 1-1/16 1-1/8 1-3/16 1-1/4	42.9	85	60	48		16	17	83	38.1	15.9	M10	UC205-14	PG205	0.72
		1-11/16	3-11/32	2-23/64	1-57/64	M10	5/8	43/64	3-17/64	1.5000	0.626		UC205-15	PG205	0.70
													UC205-16	PG205	0.69
													UC206	PG206	1.07
													UC206-17	PG206	1.08
												UC206-18	PG206	1.09	
UCPG207 207-20 207-21 207-22 207-23	35 1-1/4 1-5/16 1-3/8 1-7/16	47.6	100	68	48		19	20	93	42.9	17.5	M12	UC206-19	PG206	1.07
		1-11/16	3-11/32	2-43/64	1-57/64	M12	3/4	25/32	3-21/32	1.6890	0.689		UC206-20	PG206	1.06
													UC207	PG207	1.43
													UC207-20	PG207	1.49
													UC207-21	PG207	1.46
												UC207-22	PG207	1.43	
UCPG208 208-24 208-25	40 1-1/2 1-9/16	49.2	110	78	54		19	20	98	49.2	19.0	M12	UC207-23	PG207	1.40
		1-15/16	4-21/64	3-5/64	2-1/8	M12	3/4	25/32	3-55/64	1.9370	0.748		UC208	PG208	1.77
													UC208-24	PG208	1.81
												UC208-25	PG208	1.78	
UCPG209 209-26 209-27 209-28	45 1-5/8 1-11/16 1-3/4	53.9	120	85	54		19	20	106	49.2	19.0	M12	UC209	PG209	2.09
		1-15/16	4-23/64	3-11/32	2-1/8	M12	3/4	25/32	4-11/64	1.9370	0.748		UC209-26	PG209	2.19
													UC209-27	PG209	2.15
													UC209-28	PG209	2.11
												UC210	PG210	2.78	
UCPG210 210-29 210-30 210-31 210-32	50 1-13/16 1-7/8 1-15/16 2	57.2	135	95	60		22	21	114	51.6	19.0	M16	UC210-29	PG210	2.90
		2-1/4	5-5/16	3-47/64	2-23/64	M16	55/64	53/64	4-31/64	2.0315	0.748		UC210-30	PG210	2.85
													UC210-31	PG210	2.80
													UC210-32	PG210	2.76
													UC211	PG211	2.64
												UC211-29	PG211	2.76	

UCPW2 (Normal-duty)

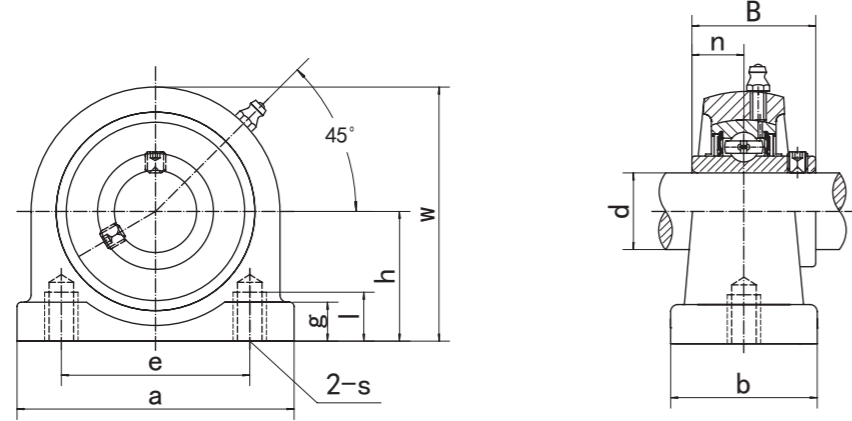
Pillow Blocks



Unit NO.	Dimensions (mm / in.)											Bolt Size mm/in.	Bearing No.	Housing No.	Weight (kg)
	d	h	a	e	b	s	l	g	w	B	n				
UCSPW201 201-8	12 1/2	30.2	63.0	47.0	30		10	11.0	57.0	27.4	11.5	M8	UCS201	PW201	0.48
UCSPW202 202-9 202-10	15 9/16 5/8	1-3/16	2-31/64	1-27/32	1-3/16	M8	25/64	7/16	2-1/4	1.0787	0.4528		UCS201-8	PW201	0.47
UCSPW203 203-11	17 11/16												UCS202	PW202	0.47
													UCS202-9	PW202	0.47
												UCS202-10	PW202	0.47	
UCPW204 204-12	20 3/4	33.3	65.0	50.8	32		15	14.5	64	31.0	12.7	M8	UCS203	PW203	0.46
		1-5/16	2-9/16	2	1-17/64	M8	19/32	37/64	2-33/64	1.2205	0.500		UCS203-11	PW203	0.45
UCPW205 205-13 205-14 205-15 205-16	25 13/16 7/8 15/16 1											36.5	70.0	50.8	36
		1-7/16	2-3/4	2	1-27/64	M10	19/32	33/64	2-3/4	1.3425	0.563	UC204-12	PW204	0.49	
												UC205	PG205	0.59	
												UC205-13	PG205	0.63	
												UC205-14	PG205	0.62	
												UC205-15	PG205	0.60	
UCPW206 206-17 206-18 206-19 206-20	30 1-1/16 1-1/8 1-3/16 1-1/4	42.9	98.0	76.2	40		18	16.0	82.0	38.1	15.9	M10	UC205-16	PG205	0.59
		1-11/16	3-55/64	3	1-37/64	M10	45/64	5/8	3-15/64	1.5000	0.626		UC206	PG206	1.11
													UC206-17	PG206	1.12
													UC206-18	PG206	1.13
													UC206-19	PG206	1.11
												UC206-20	PG206	1.10	
UCPW207 207-20 207-21 207-22 207-23	35 1-1/4 1-5/16 1-3/8 1-7/16	47.6	103.0	82.6	45		20	19.0	93.0	42.9	17.5	M10	UC207	PG207	1.44
		1-11/16	3-11/32	2-43/64	1-57/64	M12	3/4	25/32	3-21/32	1.6890	0.689		UC207-20	PG207	1.50
													UC207-21	PG207	1.47
													UC207-22	PG207	1.44
													UC207-23	PG207	1.41
												UC208	PG208	1.76	
UCPW208 208-24 208-25	40 1-1/2 1-9/16	49.2	116.0	88.9	48		20	19.0	99.0	49.2	19.0	M12	UC208-24	PW208	1.80
		1-15/16	4-9/16	3-1/2	1-57/64	M12	25/32	3/4	3-57/64	1.9370	0.748		UC208-25	PW208	1.77
													UC209	PG209	1.99
												UC209-26	PG209	2.09	
UCPW209 209-26 209-27 209-28	45 1-5/8 1-11/16 1-3/4	53.9	120.0	95.3	48		25	19.0	107.0	49.2	19.0	M12	UC209-27	PW209	2.05
		1-15/16	4-23/32	3-3/4	1-57/64	M12	63/64	3/4	4-7/32	1.9370	0.748		UC209-28	PW209	2.01
													UC210	PG210	2.64
													UC210-29	PG210	2.76
												UC210-30	PG210	2.71	
UCPW210 210-29 210-30 210-31 210-32	50 1-13/16 1-7/8 1-15/16 2	57.2	135.0	101.6	54		25	22.0	115.0	51.6	19.0	M16	UC210-31	PW210	2.66
		2-1/4	5-5/16	4	2-1/8	M16	63/64	55/64	4-17/32	2.0315	0.748		UC210-32	PW210	2.62
													UC211	PG211	2.64
													UC211-29	PG211	2.76
													UC211-30	PG211	2.71
												UC211-31	PG211	2.66	

UCTB2 (Normal-duty)

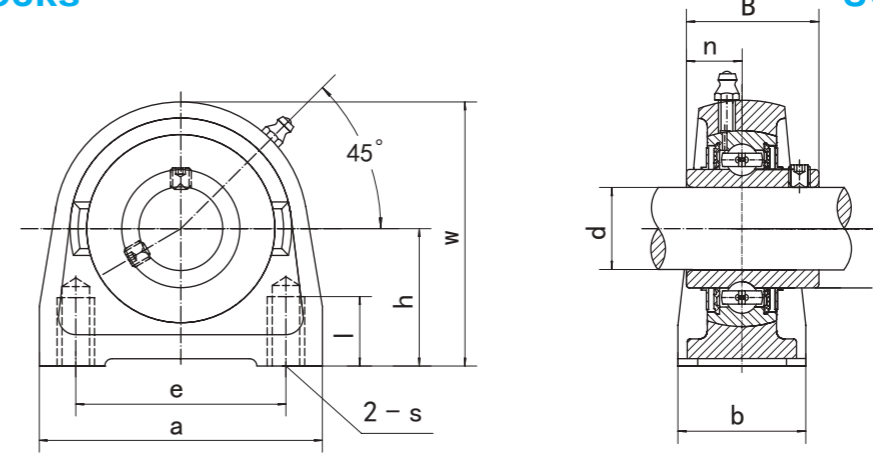
Pillow Blocks



Unit NO.	Dimensions (mm / in.)											Bolt Size mm/in.	Bearing No.	Housing No.	Weight (kg)
	d	h	a	e	b	s	g	l	w	B	n				
UCTB204 204-12	20 3/4	33.3 1-5/16	65 2-9/16	50.8 2	32 1-17/64	3/8-16UNF	14.5 37/64	15 19/32	64 2-33/64	31 1.2205	12.7 0.500	3/8-16 UNF	UC204 UC204-12	TB204	0.49
UCTB205 205-13 205-14 205-15 205-16	25 13/16 7/8 15/16 1	36.5 1-7/16	70 2-3/4	50.8 2	36 1-27/64	3/8-16UNF	13 33/64	15 19/32	70 2-3/4	34.1 1.3425	14.3 0.563	3/8-16 UNF	UC205 UC205-13 UC205-14 UC205-15 UC205-16	TB205	0.59 0.63 0.62 0.60 0.59
UCTB206 206-17 206-18 206-19 206-20	30 1-1/16 1-1/8 1-3/16 1-1/4	42.9 1-11/16	98 3-55/64	76.2 3	40 1-37/64	7/16-14UNF	16 5/8	18 45/64	82 3-15/64	38.1 1.5000	15.9 0.626	7/16-14 UNF	UC206 UC206-17 UC206-18 UC206-19 UC206-20	TB206	1.11 1.12 1.13 1.11 1.10
UCTB207 207-20 207-21 207-22 207-23	35 1-1/4 1-5/16 1-3/8 1-7/16	47.6 1-7/8	103 4-1/16	82.6 3-1/4	45 1-49/64	1/2-13UNF	19 3/4	20 25/32	93 3-21/32	42.9 1.6890	17.5 0.689	1/2-13 UNF	UC207 UC207-20 UC207-21 UC207-22 UC207-23	TB207	1.43 1.49 1.46 1.43 1.40
UCTB208 208-24 208-25	40 1-1/2 1-9/16	49.2 1-15/16	116 4-9/16	88.9 3-1/2	48 1-57/64	1/2-13UNF	19 3/4	20 25/32	99 3-57/64	49.2 1.9370	19 0.748	1/2-13 UNF	UC208 UC208-24 UC208-25	TB208	1.76 1.80 1.77
UCTB209 209-26 209-27 209-28	45 1-5/8 1-11/16 1-3/4	53.9 2-1/8	120 4-23/32	95.3 3-3/4	48 1-57/64	1/2-13UNF	19 3/4	25 63/64	107 4-7/32	49.2 1.9370	19 0.748	1/2-13 UNF	UC209 UC209-26 UC209-27 UC209-28	TB209	1.99 2.09 2.05 2.01
UCTB210 210-29 210-30 210-31 210-32	50 1-13/16 1-7/8 1-15/16 2	57.2 2-1/4	135 5-5/16	101.6 4	54 2-1/8	5/8-11UNF	22 55/64	25 63/64	115 4-17/32	51.6 2.0315	19 0.748	5/8-11 UNF	UC210 UC210-29 UC210-30 UC210-31 UC210-32	TB210	2.66 2.78 2.73 2.68 2.64

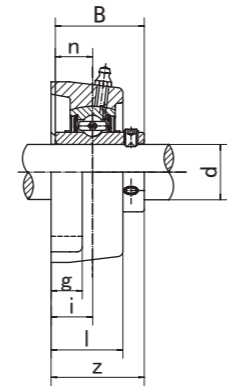
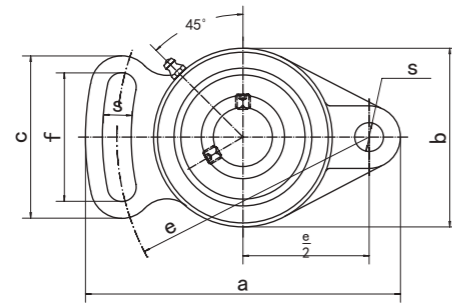
UCSHE2 (Normal-duty)

Pillow Blocks



Unit NO.	Dimensions (mm / in.)											Bolt Size mm/in.	Bearing No.	Housing No.	Weight (kg)
	d	h	a	e	b	s	l	w	B	n					
UCSSHE201	12	30.2	63	47.0	30	M8	10.0	57	27.4	11.5	M8	UCS201RG	SHE201	0.33	
UCSSHE202	15	1-3/16	2-31/64	1-27/32	1-3/16		25/64	2-1/4	1.0787	0.4527		UCS202RG	SHE202	0.32	
UCSSHE203	17						UCS203RG	SHE203	0.31						
UCSHE204	20	33.3 1-5/16	65 2-9/16	50.8 2	32 1-17/64	M8	10.0 25/64	64 2-33/64	31.0 1.2205	12.7 0.500	M8	UC204RG	SHE204	0.35	
UCSHE205	25	36.5 1-7/16	70 2-3/4	50.8 2	36 1-27/64	M10	12.5 31/64	70 2-3/4	34.1 1.3425	14.3 0.563	M10	UC205RG	SHE205	0.41	
UCSHE206	30	42.9 1-11/16	98 3-55/64	76.2 3	40 1-37/64	M10	12.5 31/64	82 3-15/64	38.1 1.5000	15.9 0.626	M10	UC206RG	SHE206	0.74	
UCSHE207	35	47.6 1-7/8	103 4-1/16	82.6 3-1/4	45 1-49/64	M10	12.5 31/64	93 3-21/32	42.9 1.689	17.5 0.689	M10	UC207RG	SHE207	0.96	
UCSHE208	40	49.2 1-15/16	116 4-9/16	88.9 3-1/2	48 1-57/64	M12	15.0 19/32	99 3-57/64	49.2 1.9370	19.0 0.748	M12	UC208RG	SHE208	1.22	
UCSHE209	45	54 2-1/8	120 4-47/64	95.3 3-3/4	48 1-57/64	M12	15.0 19/32	107 4-7/32	49.2 1.9370	19.0 0.748	M12	UC209RG	SHE209	1.45	
UCSHE210	50	57.2 2-1/4	135 5-5/16	101.6 4	54 2-1/8	M16	20.0 25/32	115 4-17/32	51.6 2.0315	19.0 0.748	M16	UC210RG	SHE210	2.02	
UCSHE211	55	64 2-33/64	150 5-29/32	118.0 4-41/64	60 2-23/64	M16	20.0 25/32	125 4-59/64	55.6 2.1890	22.2 0.874	M16	UC211RG	SHE211	2.10	
UCSHE212	60	69.9 2-3/4	150 5-29/32	118.0 4-41/64	60 2-23/64	M16	20.0 25/32	140 5-33/64	65.1 2.5630	25.4 1.000	M16	UC212RG	SHE212	2.70	

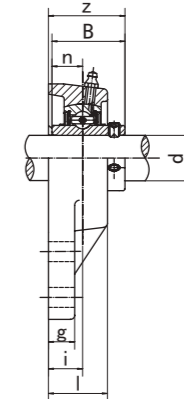
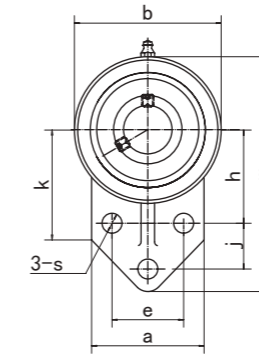
UCFA2 (Normal-duty)



Flange Units

Unit NO.	Dimensions (mm / in.)													Bolt Size mm/in.	Bearing No.	Housing No.	Weight (kg)
	d	a	e	i	g	l	s	b	z	f	c	B	n				
UCFA201 201-8	12 1/2	98	78	15	12	25.5	10	60	33.3	40	50	31	12.7	M8	UC201 UC201-8	FA201	0.46
UCFA202 202-9 202-10	15 9/16 5/8	3-55/64	3-5/64	19/32	15/32	1	25/64	2-3/8	1-5/16	1-37/64	1-31/32	1.2205	0.500				5/16
UCFA203 203-11	17 11/16													UC203 UC203-11	FA203	0.45	
UCFA204 204-12	20 3/4	UC204 UC204-12	FA204	0.45													
UCFA205 205-13 205-14 205-15 205-16	25 13/16 7/8 15/16 1			124	98	16	14	27	13	70	35.8	51	65	34.1	14.3	M10	UC205 UC205-13 UC205-14 UC205-15 UC205-16
UCFA206 206-17 206-18 206-19 206-20	30 1-1/16 1-1/8 1-3/16 1-1/4	141	115	18	14	31	13	83	40.2	58	72	38.1	15.9	M10	UC206 UC206-17 UC206-18 UC206-19 UC206-20		
UCFA207 207-20 207-21 207-22 207-23	35 1-1/4 1-5/16 1-3/8 1-7/16	155	128	19	16	34	15	96	44.4	66	82	42.9	17.5			M12	UC207 UC207-20 UC207-21 UC207-22 UC207-23
UCFA208 208-24 208-25	40 1-1/2 1-9/16	171	142	21	16	38	15	105	51.2	71	87	49.2	19	M12	UC208 UC208-24 UC208-25		
UCFA209 209-26 209-27 209-28	45 1-5/8 1-11/16 1-3/4	179	146	22	18	40	17	111	52.2	72	90	49.2	19			M14	UC209 UC209-26 UC209-27 UC209-28
UCFA210 210-29 210-30 210-31 210-32	50 1-13/16 1-7/8 1-15/16 2	189	155	22	18	40	17	116	54.6	76	94	51.6	19	M14	UC210 UC210-29 UC210-30 UC210-31 UC210-32		
UCFA211 211-32 211-33 211-34 211-35	55 2 2-1/16 2-1/8 2-3/16	216	182	25	20	44	17	133	58.4	86	104	55.6	22.2			M14	UC211 UC211-32 UC211-33 UC211-34 UC211-35
UCFA212 212-36 212-37 212-38 212-39	60 2-1/4 2-5/16 2-3/8 2-7/16	240	202	29	20	48	19	140	68.7	100	118	65.1	25.4	M16	UC212 UC212-36 UC212-37 UC212-38 UC212-39		
UCFA213 213-40 213-41	65 2-1/2 2-9/16	250	210	30	20	50	19	155	69.7	102	122	65.1	25.4			M16	UC213 UC213-40 UC213-41

UCFB2 (Normal-duty)

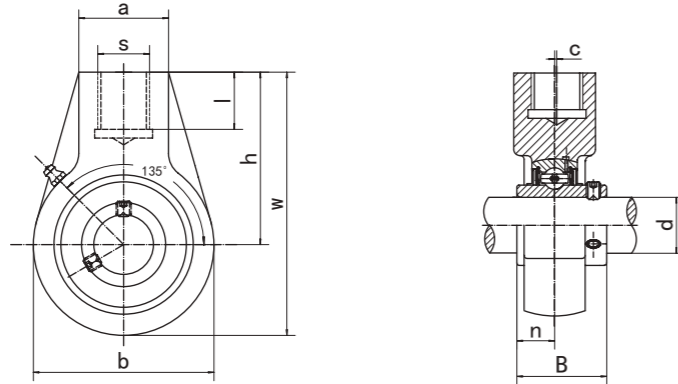


Flange Units

Unit NO.	Dimensions (mm / in.)															Bolt Size mm/in.	Bearing No.	Housing No.	Weight (kg)
	d	w	b	k	a	l	s	g	h	j	e	i	z	B	n				
UCFB201 201-8	12 1/2	110	62	52	52	25.5	10	13	42	27	32	15	33.3	31.0	12.7	M8	UC201 UC201-8	FB201	0.59
UCFB202 202-9 202-10	15 9/16 5/8	4-11/32	2-7/16	2-1/16	2-1/16	1	25/64	1/2	1-21/32	1-1/16	1-17/64	19/32	1-5/16	1.2205	0.500				5/16
UCFB203 203-11	17 11/16															UC203 UC203-11	FB203	0.58	
UCFB204 204-12	20 3/4	UC204 UC204-12	FB204	0.58															
UCFB205 205-13 205-14 205-15 205-16	25 13/16 7/8 15/16 1			116	68	52	56	27	10	13	45	27	34	16	35.8	34.1	14.3	M8	UC205 UC205-13 UC205-14 UC205-15 UC205-16
UCFB206 206-17 206-18 206-19 206-20	30 1-1/16 1-1/8 1-3/16 1-1/4	130	78	55	65	31	10	13	50	29	40	18	40.2	38.1	15.9	M8	UC206 UC206-17 UC206-18 UC206-19 UC206-20		
UCFB207 207-20 207-21 207-22 207-23	35 1-1/4 1-5/16 1-3/8 1-7/16	144	90	62	70	34	10	15	55	32	46	19	44.4	42.9	17.5			M8	UC207 UC207-20 UC207-21 UC207-22 UC207-23
UCFB208 208-24 208-25	40 1-1/2 1-9/16	164	100	72	78	36	12	16	60	41	50	21	51.2	49.2	19.0	M10	UC208 UC208-24 UC208-25		
UCFB209 209-26 209-27 209-28	45 1-5/8 1-11/16 1-3/4	174	106	76	80	38	12	18	65	43	54	22	52.2	49.2	19.0			M10	UC209 UC209-26 UC209-27 UC209-28
UCFB210 210-29 210-30 210-31 210-32	50 1-13/16 1-7/8 1-15/16 2	184	112	82	86	40	12	18	68	46	58	22	54.6	51.6	19.0	M10	UC210 UC210-29 UC210-30 UC210-31 UC210-32		
UCFB211 211-32 211-33 211-34 211-35	55 2 2-1/16 2-1/8 2-3/16	207	130	86	90	43	14	18	78	50	62	25	58.4	55.6	22.2			M12	UC211 UC211-32 UC211-33 UC211-34 UC211-35
UCFB212 212-36 212-37 212-38 212-39	60 2-1/4 2-5/16 2-3/8 2-7/16	223	140	90	94	48	14	18	84	55	66	29	68.7	65.1	25.4	M12	UC212 UC212-36 UC212-37 UC212-38 UC212-39		
UCFB213 213-40 213-41	65 2-1/2 2-9/16	244	155	94	100	50	14	20	92	60	70	30	69.7	65.1	25.4			M12	UC213 UC213-40 UC213-41

UCHA2 (Normal-duty)

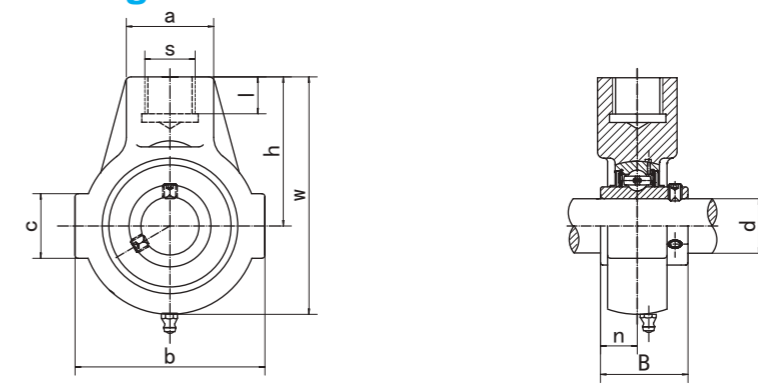
Screw Conveyor Hanger Units



Unit NO.	Dimensions (mm / in.)										Bearing No.	Housing No.	Weight (kg)
	d	h	w	b	c	a	s	l	B	n			
UCHA201 201-8	12 1/2	64	96	64	0	40	G-3/4	3/4	1.2205	0.500	UC201	HA201	0.64
UCHA202 202-9 202-10	15 9/16 5/8										UC202		0.63
UCHA203 203-11	17 11/16										UC203		0.62
UCHA204 204-12	20 3/4										UC204		0.60
UCHA205 205-13 205-14 205-15 205-16	25 13/16 7/8 15/16 1	64	103	78	0	40	G-3/4	3/4	1.3425	0.563	UC205	HA205	0.79
UCHA206 206-17 206-18 206-19 206-20	30 1-1/16 1-1/8 1-3/16 1-1/4										UC206		0.83
UCHA207 207-20 207-21 207-22 207-23	35 1-1/4 1-5/16 1-3/8 1-7/16										UC207		0.82
UCHA208 208-24 208-25	40 1-1/2 1-9/16										UC208		0.80
UCHA209 209-26 209-27 209-28	45 1-5/8 1-11/16 1-3/4	82	136	108	5.0	48	G1	53/64	1.9370	0.748	UC209	HA209	0.78
UCHA210 210-29 210-30 210-31 210-32	50 1-13/16 1-7/8 1-15/16 2										UC210		1.77
UCHA211 211-32 211-33 211-34 211-35	55 2 2-1/16 2-1/8 2-3/16										UC211		1.73
UCHA212 212-36 212-37 212-38 212-39	60 2-1/4 2-5/16 2-3/8 2-7/16										UC212		2.04
UCHA213 213-40 213-41	65 2-1/2 2-9/16	117	200	166	9.5	70	G1-1/2	1-17/64	2.5630	1.000	UC213	HA213	2.16
UCHA214 214-42 214-43 214-44	70 2-5/8 2-11/16 2-3/4										UC214		2.11
UCHA215 215-45 215-46 215-47 215-48	75 2-13/16 2-7/8 2-15/16 3										UC215		2.06
											UC215-48		2.02

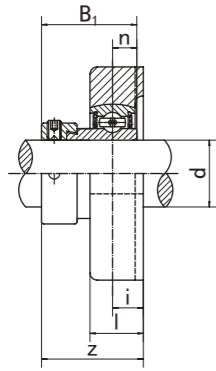
Screw Conveyor Hanger Units

UCHE2 (Normal-duty)



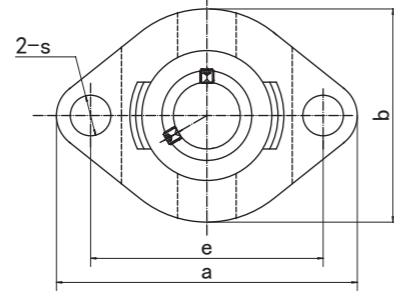
Unit NO.	Dimensions (mm / in.)										Bearing No.	Housing No.	Weight (kg)
	d	h	w	b	c	a	s	l	B	n			
UCHE201 201-8	12 1/2	58	91	65	38	30	M16	53/64	1.2205	0.500	UC201	HE201	0.61
UCHE202 202-9 202-10	15 9/16 5/8										UC201-8		0.60
UCHE203 203-11	17 11/16										UC202		0.60
UCHE204 204-12	20 3/4										UC202-9		0.60
UCHE205 205-13 205-14 205-15 205-16	25 13/16 7/8 15/16 1	64	99	70	38	35	M20	55/64	1.3425	0.563	UC202-10	HE202	0.60
UCHE206 206-17 206-18 206-19 206-20	30 1-1/16 1-1/8 1-3/16 1-1/4										UC203		0.59
UCHE207 207-20 207-21 207-22 207-23	35 1-1/4 1-5/16 1-3/8 1-7/16										UC203-11		0.58
UCHE208 208-24 208-25	40 1-1/2 1-9/16										UC204		0.57
UCHE209 209-26 209-27 209-28	45 1-5/8 1-11/16 1-3/4	82	136	108	5.0	48	M24	15/16	1.5000	0.626	UC204-12	HE204	0.57
UCHE210 210-29 210-30 210-31 210-32	50 1-13/16 1-7/8 1-15/16 2										UC205		0.71
UCHE211 211-32 211-33 211-34 211-35	55 2 2-1/16 2-1/8 2-3/16										UC205-13		0.75
UCHE212 212-36 212-37 212-38 212-39	60 2-1/4 2-5/16 2-3/8 2-7/16										UC205-14		0.74
UCHE213 213-40 213-41	65 2-1/2 2-9/16	117	200	166	9.5	70	M24	15/16	1.9370	0.748	UC205-15	HE205	0.72
UCHE214 214-42 214-43 214-44	70 2-5/8 2-11/16 2-3/4										UC205-16		0.71
UCHE215 215-45 215-46 215-47 215-48	75 2-13/16 2-7/8 2-15/16 3										UC206		1.10
											UC206-17		1.11

SAFD2
(SA2-Fitted)

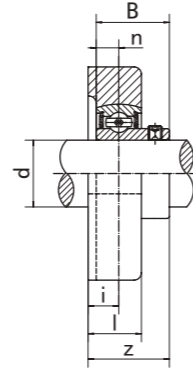


SAFD2

Flange Unit
(Light duty)



SBFD2
(SB2-Fitted)



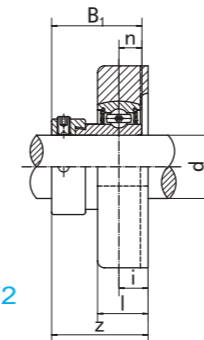
SBFD2

Unit NO.	Dimensions (mm / in.)										Bolt Size mm/in.	Bearing No.	Housing No.	Weight (kg)
	d	a	e	b	i	s	l	z	B ₁	n				
SAFD 201 201-8	12 1/2	81	63	59	8.5	7	15	30.6	28.6	6.5	M6	SA201 SA201-8	FD201	0.29
SAFD 202 202-9 202-10	15 9/16 5/8	3-3/16	2-31/64	2-21/64	21/64	9/32	19/32	1-13/64	1.1260	0.2559	1/4	SA202 SA202-9 SA202-10	FD202	
SAFD 203 203-11	17 11/16											SA203 SA203-11	FD203	
SAFD 204 204-12	20 3/4	90 3-35/64	71 2-51/64	67 2-41/64	9.5 3/8	10 25/64	17 43/64	33 1-19/64	31 1.2204	7.5 0.2953	M8 5/16	SA204 SA204-12	FD204	0.40
SAFD 205 205-13 205-14 205-15 205-16	25 13/16 7/8 15/16 1	95 3-3/4	76 2-63/64	71 2-51/64	9.5 3/8	10 25/64	17 43/64	33 1-19/64	31 1.2204	7.5 0.2953	M8 5/16	SA205 SA205-13 SA205-14 SA205-15 SA205-16	FD205	0.45
SAFD 206 206-17 206-18 206-19 206-20	30 1-1/16 1-1/8 1-3/16 1-1/4	113 4-7/16	90 3-35/64	84 3-5/16	12 15/32	12 15/32	21 53/64	38.7 1-17/32	35.7 1.4055	9 0.3543	M10 3/8	SA206 SA206-17 SA206-18 SA206-19 SA206-20	FD206	0.72
SAFD 207 207-20 207-21 207-22 207-23	35 1-1/4 1-5/16 1/3/8 1-7/16	125 4-59/64	100 3-15/16	94 3-45/64	12.5 1/2	12 15/32	22 7/8	41.9 1-21/32	38.9 1.5315	9.5 0.3740	M10 3/8	SA207 SA207-20 SA207-21 SA207-22 SA207-23	FD207	1.00

Unit NO.	Dimensions (mm / in.)										Bolt Size mm/in.	Bearing No.	Housing No.	Weight (kg)
	d	a	e	b	i	s	l	z	B	n				
SBFD 201 201-8	12 1/2	81	63	59	8.5	7	15	24	22	6	M6	SB201 SB201-8	FD201	0.27
SBFD 202 202-9 202-10	15 9/16 5/8	3-3/16	2-31/64	2-21/64	21/64	9/32	19/32	61/64	0.8661	0.2362	1/4	SB202 SB202-9 SB202-10	FD202	
SBFD 203 203-11	17 11/16											SB203 SB203-11	FD203	
SBFD 204 204-12	20 3/4	90 3-35/64	71 2-51/64	67 2-41/64	9.5 3/8	10 25/64	17 43/64	27.5 1-5/64	25 0.9843	7 0.2756	M8 5/16	SB204 SB204-12	FD204	0.37
SBFD 205 205-13 205-14 205-15 205-16	25 13/16 7/8 15/16 1	95 3-3/4	76 2-63/64	71 2-51/64	9.5 3/8	10 25/64	17 43/64	29 1-9/64	27 1.0630	7.5 0.2953	M8 5/16	SB205 SB205-13 SB205-14 SB205-15 SB205-16	FD205	0.41
SBFD 206 206-17 206-18 206-19 206-20	30 1-1/16 1-1/8 1-3/16 1-1/4	113 4-7/16	90 3-35/64	84 3-5/16	12 15/32	12 15/32	21 53/64	34 1-11/32	30 1.1811	8 0.3150	M10 3/8	SB206 SB206-17 SB206-18 SB206-19 SB206-20	FD206	0.67
SBFD 207 207-20 207-21 207-22 207-23	35 1-1/4 1-5/16 1/3/8 1-7/16	125 4-59/64	100 3-15/16	94 3-45/64	12.5 1/2	12 15/32	22 7/8	36 1-27/64	32 1.2598	8.5 0.3346	M10 3/8	SB207 SB207-20 SB207-21 SB207-22 SB207-23	FD207	0.87

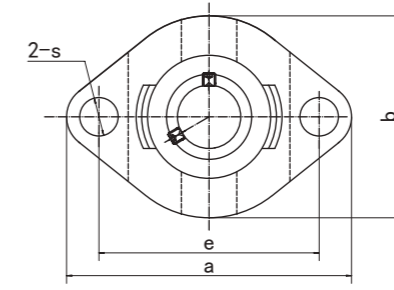
Note: To specify relubricatable units, add "G" suffix, (e.g, SBFD205-16G)

SAFW2
(SA2-Fitted)

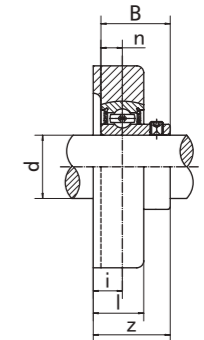


SAFW2

Flange Unit
(Light duty)



SBFW2
(SB2-Fitted)



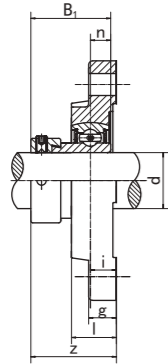
SBFW2

Unit NO.	Dimensions (mm / in.)										Bolt Size mm/in.	Bearing No.	Housing No.	Weight (kg)
	d	a	e	b	i	s	l	z	B ₁	n				
SAFW 201 201-8	12 1/2	81	63.5	58.7	8.5	7	15	30.6	28.6	6.5	M6	SA201 SA201-8	FW201	0.30
SAFW 202 202-9 202-10	15 9/16 5/8	3-3/16	2-1/2	2-5/16	21/64	9/32	19/32	1-13/64	1.1260	0.2559	1/4	SA202 SA202-9 SA202-10	FW202	
SAFW 203 203-11	17 11/16											SA203 SA203-11	FW203	
SAFW 204 204-12	20 3/4	90.5 3-9/16	71.4 2-13/16	66.5 2-5/8	9.5 3/8	9 23/64	17 43/64	33 1-19/64	31 1.2204	7.5 0.2953	M8 5/16	SA204 SA204-12	FW204	0.41
SAFW 205 205-13 205-14 205-15 205-16	25 13/16 7/8 15/16 1	97 3-13/16	76.2 3	71 2-51/64	9.5 3/8	9 23/64	17.5 11/16	33 1-19/64	31 1.2204	7.5 0.2953	M8 5/16	SA205 SA205-13 SA205-14 SA205-15 SA205-16	FW205	0.48
SAFW 206 206-17 206-18 206-19 206-20	30 1-1/16 1-1/8 1-3/16 1-1/4	112.5 4-7/16	90.5 3-9/16	84 3-5/16	11.5 29/64	11.5 29/64	20.5 13/16	38.2 1-1/2	35.7 1.4055	9 0.3543	M10 3/8	SA206 SA206-17 SA206-18 SA206-19 SA206-20	FW206	0.73
SAFW 207 207-20 207-21 207-22 207-23	35 1-1/4 1-5/16 1/3/8 1-7/16	126 4-61/64	100 3-15/16	94 3-45/64	12.5 1/2	11.5 29/64	22 7/8	41.9 1-21/32	38.9 1.5315	9.5 0.3740	M10 3/8	SA207 SA207-20 SA207-21 SA207-22 SA207-23	FW207	1.03
SAFW 208 208-24 208-25	40 1-1/2 1-9/16	150 5-29/32	119 4-11/16	100 3-15/16	14.5 9/16	14 35/64	24 15/16	47.2 1-55/64	43.7 1.7205	11 0.4331	M12 1/2	SA208 SA208-24 SA208-25	FW208	1.35

Unit NO.	Dimensions (mm / in.)										Bolt Size mm/in.	Bearing No.	Housing No.	Weight (kg)
	d	a	e	b	i	s	l	z	B	n				
SBFW 201 201-8	12 1/2	81	63.5	58.7	8.5	7	15	24.5	22	6	M6	SB201 SB201-8	FW201	0.27
SBFW 202 202-9 202-10	15 9/16 5/8	3-3/16	2-1/2	2-5/16	21/64	9/32	19/32	31/32	0.8661	0.2362	1/4	SB202 SB202-9 SB202-10	FW202	
SBFW 203 203-11	17 11/16											SB203 SB203-11	FW203	
SBFW 204 204-12	20 3/4	90.5 3-9/16	71.4 2-13/16	66.5 2-5/8	9.5 3/8	9 23/64	17 43/64	27.5 1-5/64	25 0.9843	7 0.2756	M8 5/16	SB204 SB204-12	FW204	0.38
SBFW 205 205-13 205-14 205-15 205-16	25 13/16 7/8 15/16 1	97 3-13/16	76.2 3	71 2-51/64	9.5 3/8	9 23/64	17.5 11/16	29 1-9/64	27 1.0630	7.5 0.2953	M8 5/16	SB205 SB205-13 SB205-14 SB205-15 SB205-16	FW205	0.44
SBFW 206 206-17 206-18 206-19 206-20	30 1-1/16 1-1/8 1-3/16 1-1/4	112.5 4-7/16	90.5 3-9/16	84 3-5/16	11.5 29/64	11.5 29/64	20.5 13/16	33.5 1-5/16	30 1.1811	8 0.3150	M10 3/8	SB206 SB206-17 SB206-18 SB206-19 SB206-20	FW206	0.67
SBFW 207 207-20 207-21 207-22 207-23	35 1-1/4 1-5/16 1/3/8 1-7/16	126 4-61/64	100 3-15/16	94 3-45/64	12.5 1/2	11.5 29/64	22 7/8	36 1-27/64	32 1.2598	8.5 0.3346	M10 3/8	SB207 SB207-20 SB207-21 SB207-22 SB207-23	FW207	0.90
SBFW 208 208-24 208-25	40 1-1/2 1-9/16	150 5-29/32	119 4-11/16	100 3-15/16	14.5 9/16	14 35/64	24 15/16	39.5 1-9/16	34 1.3386	9 0.3543	M12 1/2	SB208 SB208-24 SB208-25	FW208	1.18

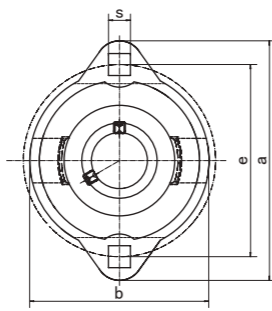
Note: To specify relubricatable units, add "G" suffix, (e.g, SBFW205-16G)

SAFTD2
(SA2-Fitted)

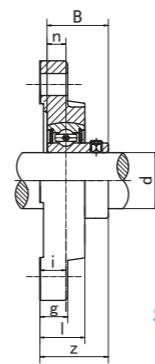


SAPFTD2

Flange Unit
(Light duty)



SBFTD2
(SB2-Fitted)



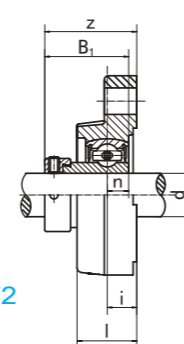
SBPFTD2

Unit NO.	Dimensions (mm / in.)											Bolt Size mm/in.	Bearing No.	Housing No.	Weight (kg)
	d	a	e	b	i	s	g	l	z	B ₁	n				
SAPFTD 201 201-8	12 1/2	82	65	58	12	7.2	10.5	18	34.1	28.6	6.5	1/4	SA201 SA201-8	PFTD201	0.28
SAPFTD 202 202-9 202-10	15 9/16 5/8	3-1/4	2-9/16	2-9/32	15/32	9/32	27/64	45/64	1-11/32	1.1260	0.2559		SA202 SA202-9 SA202-10	PFTD202	
SAPFTD 203 203-11	17 11/16												SA203 SA203-11	PFTD203	
SAPFTD 204 204-12	20 3/4	94	71.5	66	12.5	8.7	11	19.5	36	31	7.5	5/16	SA204 SA204-12	PFTD204	0.38
SAPFTD 205 205-13 205-14 205-15 205-16	25 13/16 7/8 15/16 1	98	76.2	69	12.5	8.7	11	20	36	31	7.5	5/16	SA205 SA205-13 SA205-14 SA205-15 SA205-16	PFTD205	0.41
SAPFTD 206 206-17 206-18 206-19 206-20	30 1-1/16 1-1/8 1-3/16 1-1/4	116	89.5	81	13.7	10.3	13	22	40.4	35.7	9	3/8	SA206 SA206-17 SA206-18 SA206-19 SA206-20	PFTD206	0.64
SAPFTD 207 207-20 207-21 207-22 207-23	35 1-1/4 1-5/16 1/3/8 1-7/16	122	100	89	15.4	10.3	13	24	44.8	38.9	9.5	3/8	SA207 SA207-20 SA207-21 SA207-22 SA207-23	PFTD207	0.76

Unit NO.	Dimensions (mm / in.)											Bolt Size mm/in.	Bearing No.	Housing No.	Weight (kg)
	d	a	e	b	i	s	g	l	z	B	n				
SBPFTD 201 201-8	12 1/2	82	65	58	12	7.2	10.5	18	28	22	6	1/4	SB201 SB201-8	PFTD201	0.25
SBPFTD 202 202-9 202-10	15 9/16 5/8	3-1/4	2-9/16	2-9/32	15/32	9/32	27/64	45/64	1-7/64	0.8661	0.2362		SB202 SB202-9 SB202-10	PFTD202	
SBPFTD 203 203-11	17 11/16												SB203 SB203-11	PFTD203	
SBPFTD 204 204-12	20 3/4	94	71.5	66	12.5	8.7	11	19.5	30.5	25	7	5/16	SB204 SB204-12	PFTD204	0.35
SBPFTD 205 205-13 205-14 205-15 205-16	25 13/16 7/8 15/16 1	98	76.2	69	12.5	8.7	11	20	32	27	7.5	5/16	SB205 SB205-13 SB205-14 SB205-15 SB205-16	PFTD205	0.37
SBPFTD 206 206-17 206-18 206-19 206-20	30 1-1/16 1-1/8 1-3/16 1-1/4	116	89.5	81	13.7	10.3	13	22	35.7	30	8	3/8	SB206 SB206-17 SB206-18 SB206-19 SB206-20	PFTD206	0.59
SBPFTD 207 207-20 207-21 207-22 207-23	35 1-1/4 1-5/16 1/3/8 1-7/16	122	100	89	15.4	10.3	13	24	38.9	32	8.5	3/8	SB207 SB207-20 SB207-21 SB207-22 SB207-23	PFTD207	0.73

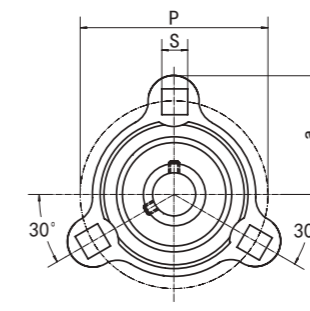
Note: To specify relubricatable units, add "G" suffix, (e.g., SBPFTD205-16G)

SAFCT2
(SA2-Fitted)

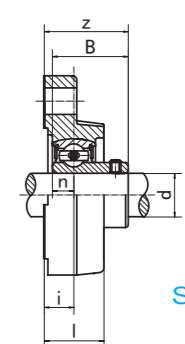


SAFCT2

Flange Unit
(Light duty)



SBFCT2
(SB2-Fitted)



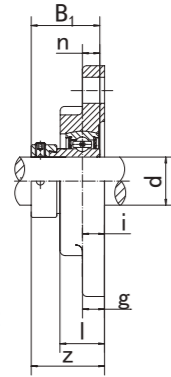
SBFCT2

Unit NO.	Dimensions (mm / in.)											Bolt Size mm/in.	Bearing No.	Housing No.	Weight (kg)
	d	a	p	i	l	s	z	B ₁	n						
SAFCT 201 201-8	12 1/2	40.5	63.5	9.8	17.5	7.2	31.9	28.6	6.5	1/4	SA201 SA201-8	FCT201	0.26		
SAFCT 202 202-9 202-10	15 9/16 5/8	1-19/32	2-1/2	25/64	11/16	9/32	1-1/4	1.1260	0.2559		SA202 SA202-9 SA202-10	FCT202			
SAFCT 203 203-11	17 11/16										SA203 SA203-11	FCT203			
SAFCT 204 204-12	20 3/4	45.3	71.5	11	20	8.7	34.5	31	7.5	5/16	SA204 SA204-12	FCT204	0.34		
SAFCT 205 205-13 205-14 205-15 205-16	25 13/16 7/8 15/16 1	47.5	76.2	10.3	20	8.7	33.8	31	7.5	5/16	SA205 SA205-13 SA205-14 SA205-15 SA205-16	FCT205	0.43		
SAFCT 206 206-17 206-18 206-19 206-20	30 1-1/16 1-1/8 1-3/16 1-1/4	56.5	90.5	12	22	10.3	38.7	35.7	9	3/8	SA206 SA206-17 SA206-18 SA206-19 SA206-20	FCT206	0.66		
SAFCT 207 207-20 207-21 207-22 207-23	35 1-1/4 1-5/16 1/3/8 1-7/16	61	100	13	24	10.3	42.4	38.9	9.5	3/8	SA207 SA207-20 SA207-21 SA207-22 SA207-23	FCT207	0.94		

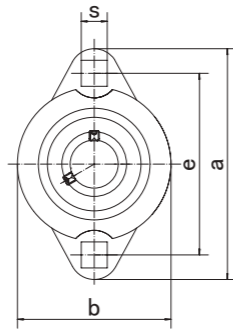
Unit NO.	Dimensions (mm / in.)											Bolt Size mm/in.	Bearing No.	Housing No.	Weight (kg)
	d	a	p	i	l	s	z	B	n						
SBFCT 201 201-8	12 1/2	40.5	63.5	9.8	17.5	7.2	25.8	22	6	1/4	SB201 SB201-8	FCT201	0.21		
SBFCT 202 202-9 202-10	15 9/16 5/8	1-19/32	2-1/2	25/64	11/16	9/32	1-1/4	0.8661	0.2362		SB202 SB202-9 SB202-10	FCT202			
SBFCT 203 203-11	17 11/16										SB203 SB203-11	FCT203			
SBFCT 204 204-12	20 3/4	45.3	71.5	11	20	8.7	29	25	7	5/16	SB204 SB204-12	FCT204	0.32		
SBFCT 205 205-13 205-14 205-15 205-16	25 13/16 7/8 15/16 1	47.5	76.2	10.3	20	8.7	29.8	27	7.5	5/16	SB205 SB205-13 SB205-14 SB205-15 SB205-16	FCT205	0.40		
SBFCT 206 206-17 206-18 206-19 206-20	30 1-1/16 1-1/8 1-3/16 1-1/4	56.5	90.5	12	22	10.3	34	30	8	3/8	SB206 SB206-17 SB206-18 SB206-19 SB206-20	FCT206	0.60		
SBFCT 207 207-20 207-21 207-22 207-23	35 1-1/4 1-5/16 1/3/8 1-7/16	61	100	13	24	10.3	36.5	32	8.5	3/8	SB207 SB207-20 SB207-21 SB207-22 SB207-23	FCT207	0.81		

Note: To specify relubricatable units, add "G" suffix, (e.g., SBFCT205-16G)

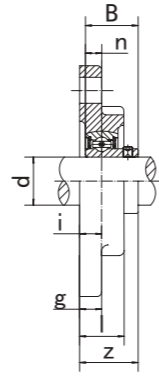
SAFX2
(SA2-Fitted)



Flange Unit
(Light duty)



SBFX2
(SB2-Fitted)



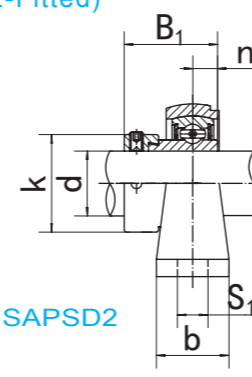
SBFX2

Unit NO.	Dimensions (mm / in.)											Bolt Size mm/in.	Bearing No.	Housing No.	Weight (kg)
	d	a	e	b	i	s	g	l	z	B ₁	n				
SAFX 201 201-8	12 1/2	81	63.5	55	10.5	7.2	10.5	17.5	32.6	28.6	6.5	1/4	SA201 SA201-8	FX201	0.22
SAFX 202 202-9 202-10	15 9/16 5/8	3-3/16	2-1/2	2-3/16	13/32	9/32	13/32	11/16	1-9/32	1.1260	0.2559		SA202 SA202-9 SA202-10	FX202	
SAFX 203 203-11	17 11/16												SA203 SA203-11	FX203	
SAFX 204 204-12	20 3/4	90.5 3-9/16	71.5 2-13/16	57 2-1/4	10.5 13/32	8.7 11/32	11 7/16	20 25/32	34 1-11/32	31 1.2204	7.5 0.2953	5/16	SA204 SA204-12	FX204	0.36
SAFX 205 205-13 205-14 205-15 205-16	25 13/16 7/8 15/16 1	95 3-3/4	76 2-63/64	63.5 2-1/2	11 7/16	8.7 11/32	11 7/16	20 25/32	34.5 1-23/64	31 1.2204	7.5 0.2953	5/16	SA205 SA205-13 SA205-14 SA205-15 SA205-16	FX205	0.40
SAFX 206 206-17 206-18 206-19 206-20	30 1-1/16 1-1/8 1-3/16 1-1/4	113 4-7/16	90.5 3-9/16	75 2-15/16	11 7/16	10.3 13/32	12 15/32	22.5 57/64	37.7 1-31/64	35.7 1.4055	9 0.3543	3/8	SA206 SA206-17 SA206-18 SA206-19 SA206-20	FX206	0.60
SAFX 207 207-20 207-21 207-22 207-23	35 1-1/4 1-5/16 1/3/8 1-7/16	122 4-13/16	100 3-15/16	86 3-3/8	12 15/32	10.3 13/32	13 33/64	24 61/64	41.1 1-5/8	38.9 1.5315	9.5 0.3740	3/8	SA207 SA207-20 SA207-21 SA207-22 SA207-23	FX207	0.84

Unit NO.	Dimensions (mm / in.)											Bolt Size mm/in.	Bearing No.	Housing No.	Weight (kg)
	d	a	e	b	i	s	g	l	z	B	n				
SBFX 201 201-8	12 1/2	81	63.5	55	10.5	7.2	10.5	17.5	26.5	22	6	1/4	SB201 SB201-8	FX201	0.20
SBFX 202 202-9 202-10	15 9/16 5/8	3-3/16	2-1/2	2-3/16	13/32	9/32	13/32	11/16	1-3/64	0.8661	0.2362		SB202 SB202-9 SB202-10	FX202	
SBFX 203 203-11	17 11/16												SB203 SB203-11	FX203	
SBFX 204 204-12	20 3/4	90.5 3-9/16	71.5 2-13/16	57 2-1/4	10.5 13/32	8.7 11/32	11 7/16	20 25/32	28.5 1-1/8	25 0.9843	7 0.2756	5/16	SB204 SB204-12	FX204	0.33
SBFX 205 205-13 205-14 205-15 205-16	25 13/16 7/8 15/16 1	95 3-3/4	76 2-63/64	63.5 2-1/2	11 7/16	8.7 11/32	11 7/16	20 25/32	30.5 1-13/64	27 1.0630	7.5 0.2953	5/16	SB205 SB205-13 SB205-14 SB205-15 SB205-16	FX205	0.36
SBFX 206 206-17 206-18 206-19 206-20	30 1-1/16 1-1/8 1-3/16 1-1/4	113 4-7/16	90.5 3-9/16	75 2-15/16	11 7/16	10.3 13/32	12 15/32	22.5 57/64	33 1-19/64	30 1.1811	8 0.3150	3/8	SB206 SB206-17 SB206-18 SB206-19 SB206-20	FX206	0.55
SBFX 207 207-20 207-21 207-22 207-23	35 1-1/4 1-5/16 1/3/8 1-7/16	122 4-13/16	100 3-15/16	86 3-3/8	12 15/32	10.3 13/32	13 33/64	24 61/64	35.2 1-25/64	32 1.2598	8.5 0.3364	3/8	SB207 SB207-20 SB207-21 SB207-22 SB207-23	FX207	0.80

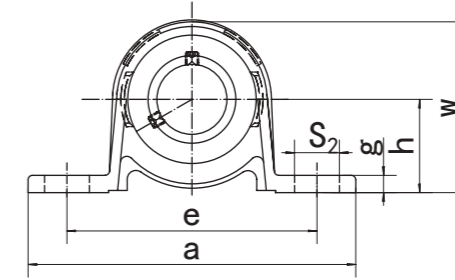
Note: To specify relubricatable units, add "G" suffix, (e.g., SBFX205-16G)

SAPSD2
(SA2-Fitted)

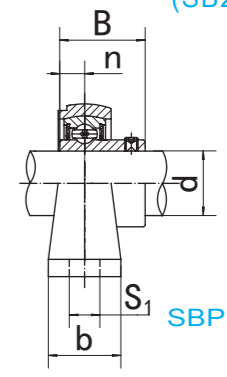


SAPSD2

Flange Unit
(Light duty)



SBPSD2
(SB2-Fitted)



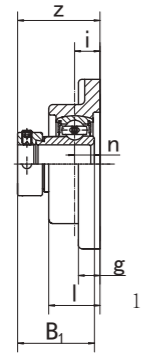
SBPSD2

Unit NO.	Dimensions (mm / in.)											Bolt Size mm/in.	Bearing No.	Housing No.	Weight (kg)
	d	h	a	e	b	S ₁	S ₂	g	w	B ₁	n				
SAPSD 201 201-8	12 1/2	30.2	114	87	25	11	16	6.5	54	28.6	6.5	3/8	SA201 SA201-8	PSD201	0.31
SAPSD 202 202-9 202-10	15 9/16 5/8	1-3/16	4-1/2	3-7/16	63/64	7/16	5/8	1/4	2-1/8	1.1260	0.2559		SA202 SA202-9 SA202-10	PSD202	
SAPSD 203 203-11	17 11/16												SA203 SA203-11	PSD203	
SAPSD 204 204-12	20 3/4	33.3 1-5/16	125 4-15/16	97 3-13/16	27 1-1/16	11 7/16	16 5/8	7 9/32	71.5 2-13/16	31 1.2204	7.5 0.2953	3/8	SA204 SA204-12	PSD204	0.38
SAPSD 205 205-13 205-14 205-15 205-16	25 13/16 7/8 15/16 1	36.5 1-7/16	130 5-1/8	100 3-15/16	29 1-1/8	11 7/16	16 5/8	7 9/32	67.5 2-21/32	31 1.2204	7.5 0.2953	3/8	SA205 SA205-13 SA205-14 SA205-15 SA205-16	PSD205	0.50
SAPSD 206 206-17 206-18 206-19 206-20	30 1-1/16 1-1/8 1-3/16 1-1/4	42.9 1-11/16	156 6-5/32	119 4-22/32	33 1-5/16	14 9/16	21 13/16	8 5/16	79 3-1/8	35.7 1.4055	9 0.3543	1/2	SA206 SA206-17 SA206-18 SA206-19 SA206-20	PSD206	0.83
SAPSD 207 207-20 207-21 207-22 207-23	35 1-1/4 1-5/16 1/3/8 1-7/16	47.6 1-7/8	165 6-1/2	127 5	35 1-3/8	14 9/16	21 13/16	9 11/32	90.5 3-9/16	38.9 1.5315	9.5 0.3740	1/2	SA207 SA207-20 SA207-21 SA207-22 SA207-23	PSD207	1.16

Unit NO.	Dimensions (mm / in.)											Bolt Size mm/in.	Bearing No.	Housing No.	Weight (kg)
	d	h	a	e	b	S ₁	S ₂	g	w	B	n				
SBPSD 201 201-8	12 1/2	30.2	114	87	25	11	16	6.5	54	22	6	3/8	SB201 SB201-8	PSD201	0.29
SBPSD 202 202-9 202-10	15 9/16 5/8	1-3/16	4-1/2	3-7/16	63/64	7/16	5/8	1/4	2-1/8	0.8661	0.2362		SB202 SB202-9 SB202-10	PSD202	
SBPSD 203 203-11	17 11/16												SB203 SB203-11	PSD203	
SBPSD 204 204-12	20 3/4	33.3 1-5/16	125 4-15/16	97 3-13/16	27 1-1/16	11 7/16	16 5/8	7 9/32	71.5 2-13/16	25 0.9843	7 0.2756	3/8	SB204 SB204-12	PSD204	0.36
SBPSD 205 205-13 205-14 205-15 205-16	25 13/16 7/8 15/16 1	36.5 1-7/16	130 5-1/8	100 3-15/16	29 1-1/8	11 7/16	16 5/8	7 9/32	67.5 2-21/32	27 1.0630	7.5 0.2953	3/8	SB205 SB205-13 SB205-14 SB205-15 SB205-16	PSD205	0.48
SBPSD 206 206-17 206-18 206-19 206-20	30 1-1/16 1-1/8 1-3/16 1-1/4	42.9 1-11/16	156 6-5/32	119 4-22/32	33 1-5/16	14 9/16	21 13/16	8 5/16	79 3-1/8	30 1.1811	8 0.3150	1/2	SB206 SB206-17 SB206-18 SB206-19 SB206-20	PSD206	0.76
SBPSD 207 207-20 207-21 207-22 207-23	35 1-1/4 1-5/16 1/3/8 1-7/16	47.6 1-7/8	165 6-1/2	127 5	35 1-3/8	14 9/16	21 13/16	9 11/32	90.5 3-9/16	32 1.2598	8.5 0.3364	1/2	SB207 SB207-20 SB207-21 SB207-22 SB207-23	PSD207	1.03

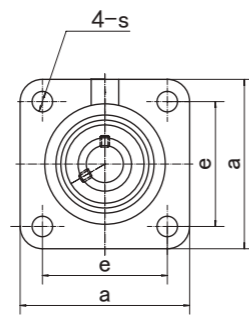
Note: To specify relubricatable units, add "G" suffix, (e.g., SBPSD205-16G)

SAFN2
(SA2-Fitted)

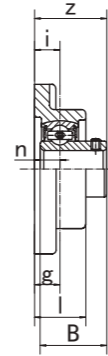


SAFN2

Flange Unit
(Light duty)



SBFN2
(SB2-Fitted)



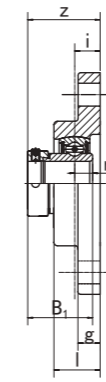
SBFN2

Unit NO.	Dimensions (mm / in.)										Bolt Size mm/in.	Bearing No.	Housing No.	Weight (kg)
	d	a	e	i	g	s	l	z	B ₁	n				
SAFN 201 201-8	12	76	54	11.4	9.5	11	18	33.5	28.6	6.5	M10	SA201	FN201	0.40
SAFN 202 202-9 202-10	15	3	2-1/8	0.448	3/8	7/16	23/32	1.319	1.1260	0.2559	3/8	SA202	FN202	
SAFN 203 203-11	17											SA203	FN203	
SAFN 204 204-12	20	86	63.5	12.6	11	11	20.5	36.1	31	7.5	M10	SA204	FN204	0.64
SAFN 205 205-13 205-14 205-15 205-16	25	95	70	12.3	11	13	20.5	35.8	31	7.5	M12	SA205	FN205	0.77
SAFN 206 206-17 206-18 206-19 206-20	30	108	82.5	12.1	13.5	13	24	38.8	35.7	9	M12	SA206		
SAFN 207 207-20 207-21 207-22 207-23	35	117	92	14.6	15	14	26.5	44	38.9	9.5	M12	SA207		
SAFN 208 208-24 208-25	40	130	101.5	15.5	16	14	28.5	48.2	43.7	11	M12	SA208		
SAFN 209 209-26 209-27 209-28	45	136	105	13.8	16	16	28.5	46.5	43.7	11	M14	SA209		

Unit NO.	Dimensions (mm / in.)										Bolt Size mm/in.	Bearing No.	Housing No.	Weight (kg)
	d	a	e	i	g	s	l	z	B	n				
SBFN 201 201-8	12	76	54	11.4	9.5	11	18	27.4	22	6	M10	SB201	FN201	0.38
SBFN 202 202-9 202-10	15	3	2-1/8	0.448	3/8	7/16	23/32	1.079	0.8661	0.2362	3/8	SB202	FN202	
SBFN 203 203-11	17											SB203	FN203	
SBFN 204 204-12	20	86	63.5	12.6	11	11	20.5	30.6	25	7	M10	SB204	FN204	0.60
SBFN 205 205-13 205-14 205-15 205-16	25	95	70	12.3	11	13	20.5	31.8	27	7.5	M12	SB205	FN205	0.74
SBFN 206 206-17 206-18 206-19 206-20	30	108	82.5	12.1	13.5	13	24	34.1	30	8	M12	SB206		
SBFN 207 207-20 207-21 207-22 207-23	35	117	92	14.6	15	14	26.5	38.1	32	8.5	M12	SB207		
SBFN 208 208-24 208-25	40	130	101.5	15.5	16	14	28.5	40.5	34	9	M12	SB208		
SBFN 209 209-26 209-27 209-28	45	136	105	13.8	16	16	28.5	44.8	41.2	10.2	M14	SB209		

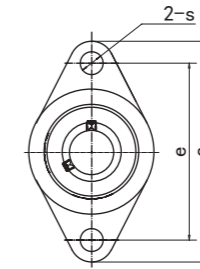
Note: To specify relubricatable units, add "G" suffix, (e.g., SBFN205-16G)

SAFTN2
(SA2-Fitted)

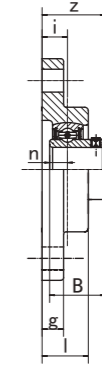


SAFTN2

Flange Unit
(Light duty)



SBFTN2
(SB2-Fitted)



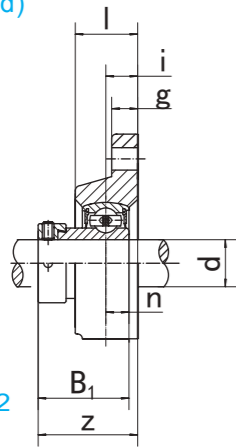
SBFTN2

Unit NO.	Dimensions (mm / in.)										Bolt Size mm/in.	Bearing No.	Housing No.	Weight (kg)	
	d	a	e	i	g	l	s	z	B ₁	n					
SAFTN 201 201-8	12	98	76.2	11.4	9.5	11	18	11	33.5	28.6	6.5	M10	SA201	FTN201	0.29
SAFTN 202 202-9 202-10	15	3-7/8	3	0.448	3/8	23/32	7/16	1.319	1.1260	0.2559	3/8	SA202	FTN202		
SAFTN 203 203-11	17											SA203	FTN203		
SAFTN 204 204-12	20	112	90	12.6	11	11	20.5	36.1	31	7.5	M10	SA204	FTN204	0.46	
SAFTN 205 205-13 205-14 205-15 205-16	25	124	99	12.3	11	13	20.5	35.8	31	7.5	M12	SA205	FN205	0.56	
SAFTN 206 206-17 206-18 206-19 206-20	30	141	116.5	12.1	13	13	24	38.8	35.7	9	M12	SA206			
SAFTN 207 207-20 207-21 207-22 207-23	35	155	130	14.6	15	14	26.5	44	38.9	9.5	M12	SA207			
SAFTN 208 208-24 208-25	40	171	143.5	15.5	16	14	28.5	48.2	43.7	11	M12	SA208			
SAFTN 209 209-26 209-27 209-28	45	179	148.5	13.8	16	16	28.5	46.5	43.7	11	M14	SA209			

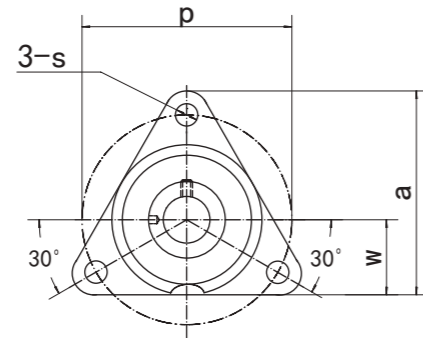
Unit NO.	Dimensions (mm / in.)										Bolt Size mm/in.	Bearing No.	Housing No.	Weight (kg)	
	d	a	e	i	g	l	s	z	B	n					
SBFTN 201 201-8	12	98	76.2	11.4	9.5	11	18	11	27.4	22	6	M10	SB201	FTN201	0.26
SBFTN 202 202-9 202-10	15	3-7/8	3	0.448	3/8	23/32	7/16	1.079	0.8661	0.2362	3/8	SB202	FTN202		
SBFTN 203 203-11	17											SB203	FTN203		
SBFTN 204 204-12	20	112	90	12.6	11	11	20.5	30.6	25	7	M10	SB204	FTN204	0.43	
SBFTN 205 205-13 205-14 205-15 205-16	25	124	99	12.3	11	13	20.5	31.8	27	7.5	M12	SB205	FN205	0.52	
SBFTN 206 206-17 206-18 206-19 206-20	30	141	116.5	12.1	13	13	24	34.1	30	8	M12	SB206			
SBFTN 207 207-20 207-21 207-22 207-23	35	155	130	14.6	15	14	26.5	38.1	32	8.5	M12	SB207			
SBFTN 208 208-24 208-25	40	171	143.5	15.5	16	14	28.5	40.5	34	9	M12	SB208			
SBFTN 209 209-26 209-27 209-28	45	179	148.5	13.8	16	16	28.5	44.8	41.2	10.2	M14	SB209			

Note: To specify relubricatable units, add "G" suffix, (e.g., SBFTN205-16G)

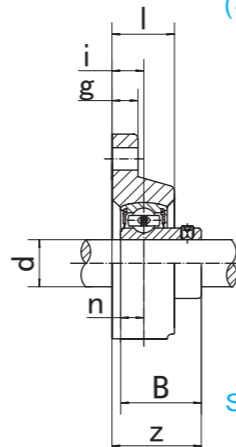
SACFTR2 (SA2-Fitted)



Flange Unit (Light duty)



SBCFTR2 (SB2-Fitted)

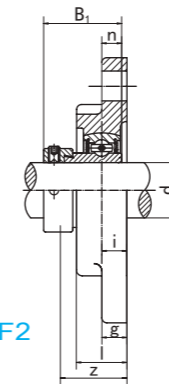


Unit NO.	Dimensions (mm / in.)											Bolt Size mm/in.	Bearing No.	Housing No.	Weight (kg)	
	d	a	p	w	g	i	l	s	z	B ₁	n					
SACFTR 201	12	81	76.1	31	11	10	20	11.5	32.1	28.6	6.5	M10	SA201RG	CFTR201	0.40	
SACFTR 202	15	3-3/16	3	1-7/32	7/16	25/64	25/32	29/64	1-17/64	1.1260	0.2559		3/8	SA202RG		CFTR202
SACFTR 203	17													SA203RG		CFTR203
SACFTR 204	20	92	89.5	35	11	10.5	20	11.5	34.0	31.0	7.5	M10		SA204RG	CFTR204	0.56
SACFTR 205	25	97	96	36	12	12.5	22	11.5	36.0	31.0	7.5	M10	SA205RG	CFTR205	0.72	
SACFTR 206	30	117	116	44	12	13.3	24	11.5	40.0	35.7	9.0	M10	SA206RG	CFTR206	0.98	
SACFTR 207	35	128	129.7	48	14	15.6	27	14	45.0	38.9	9.5	M12	SA207RG	CFTR207	1.28	
SACFTR 208	40	137	140	51	16	18.3	30	14	51.0	43.7	11.0	M12	SA208RG	CFTR208	1.81	
SACFTR 209	45	150	160	55	16	19.2	33	14	51.9	43.7	11.0	M12	SA209RG	CFTR209	2.07	
SACFTR 210	50	150	160	55	16	19.2	33	14	51.9	43.7	11.0	M12	SA210RG	CFTR210	2.29	

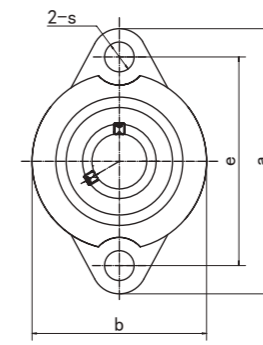
Unit NO.	Dimensions (mm / in.)											Bolt Size mm/in.	Bearing No.	Housing No.	Weight (kg)	
	d	a	p	w	g	i	l	s	z	B	n					
SBCFTR 201	12	81	76.1	31	11	10	20	11.5	26.0	22.0	6.0	M10	SB201RG	CFTR201	0.38	
SBCFTR 202	15	3-3/16	3	1-7/32	7/16	25/64	25/32	29/64	1-1/32	0.8661	0.236		3/8	SB202RG		CFTR202
SBCFTR 203	17													SB203RG		CFTR203
SBCFTR 204	20	92	89.5	35	11	10.5	20	11.5	28.5	25.0	7.0	M10		SB204RG	CFTR204	0.53
SBCFTR 205	25	97	96	36	12	12.5	22	11.5	32.0	27.0	7.5	M10	SB205RG	CFTR205	0.68	
SBCFTR 206	30	117	116	44	12	13.3	24	11.5	35.3	30.0	8.0	M10	SB206RG	CFTR206	0.93	
SBCFTR 207	35	128	129.7	48	14	15.6	27	14	39.1	32.0	8.5	M12	SB207RG	CFTR207	1.24	
SBCFTR 208	40	137	140	51	16	18.3	30	14	43.3	34.0	9.0	M12	SB208RG	CFTR208	1.81	
SBCFTR 209	45	150	160	55	16	19.2	33	14	50.2	41.2	10.2	M12	SB209RG	CFTR209	2.11	
SBCFTR 210	50	150	160	55	16	19.2	33	14	51.8	43.5	10.9	M12	SB210RG	CFTR210	2.18	

Note: To specify relubricatable units, add "G" suffix, (e.g, SBCFTR205G)

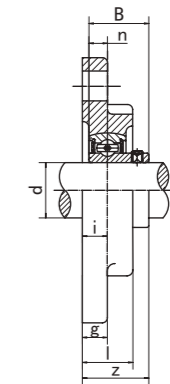
SALF2 (SA2-Fitted)



Flange Unit (Light duty)



SBLF2 (SB2-Fitted)



Unit NO.	Dimensions (mm / in.)											Bolt Size mm/in.	Bearing No.	Housing No.	Weight (kg)	
	d	a	e	b	i	s	g	l	z	B ₁	n					
SALF 201	12	81	63.5	56	9.5	8	9.5	18	31.6	28.6	6.5	M6	SA201	LF201	0.27	
SALF 202	15	3-3/16	2-1/2	2-13/64	3/8	5/16	3/8	45/64	1-1/4	1.1260	0.2559		1/4			SA202
SALF 203	17															SA203
SALF 204	20	90	71.5	61	11	10	11	20	34.5	31	7.5	M8		SA204	LF204	0.35
SALF 205	25	95	76	64	11	10	11	20	34.5	31	7.5	M8	SA205	LF205	0.40	
SALF 206	30	113	90.5	76	12	12	12	22.5	38.7	35.7	9	M10	SA206			
SALF 207	35	122	100	89	13	12	13	24	42.4	38.9	9.5	M10	SA207			
SALF 208	40	137	140	51	16	18.3	30	14	51.0	43.7	11.0	M12	SA208			

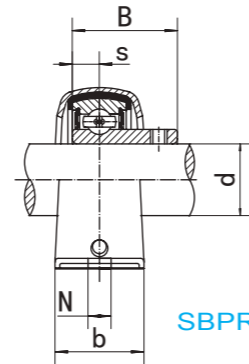
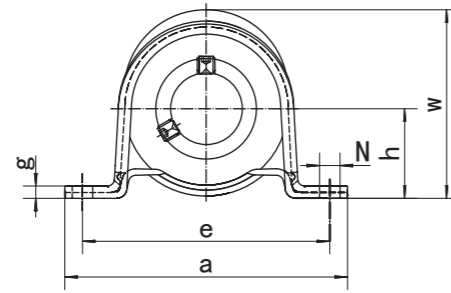
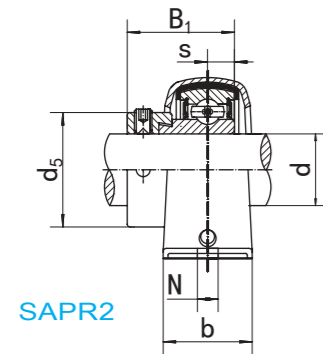
Unit NO.	Dimensions (mm / in.)											Bolt Size mm/in.	Bearing No.	Housing No.	Weight (kg)	
	d	a	e	b	i	s	g	l	z	B	n					
SBLF 201	12	81	63.5	56	9.5	8	9.5	18	25.5	22	6	M6	SB201	LF201	0.24	
SBLF 202	15	3-3/16	2-1/2	2-13/64	3/8	5/16	3/8	45/64	1	0.8661	0.2362		1/4			SB202
SBLF 203	17															SB203
SBLF 204	20	90	71.5	61	11	10	11	20	29	25	7	M8		SB204	LF204	0.32
SBLF 205	25	95	76	64	11	10	11	20	30.5	27	7.5	M8	SB205	LF205	0.34	
SBLF 206	30	113	90.5	76	12	12	12	22.5	34	30	8	M10	SB206			
SBLF 207	35	122	100	89	13	12	13	24	36.5	32	8.5	M10	SB207			
SBLF 208	40	137	140	51	16	18.3	30	14	51.0	43.7	11.0	M12	SB208			

Note: To specify relubricatable units, add "G" suffix, (e.g, SBLF205-16G)

SAPR2 (SA2-Fitted)

Rubber Mounted Units (Light duty)

SBPR2 (SB2-Fitted)



Unit NO.	Dimensions (mm / in.)											Bolt Size mm/in.	Bearing No.	Housing No.	Rubber Ring NO.	Weight (kg)
	d	h	a	e	b	N	g	w	B1	s	d5					
SAPR 201 201-8	12 1/2	25.4	98	76	32	9.5	3.2	50.5	28.6	6.5	28.6	M8	SA201 SA201-8	PP204	R-4	0.17
SAPR 202 202-10	15 5/8	1	3-55/64	2-63/64	1-17/64	3/8	1/8	1-63/64	1.1260	0.256	1-1/8	5/8	SA202 SA202-10			
SAPR 203 203-11	17 11/16												SA203 SA203-11			
SAPR 204 204-12	20 3/4	28.6 1-1/8	108 4-1/4	86 3-25/64	32 1-17/64	11.5 29/64	4.0 5/32	56.6 2-15/64	31.0 1.2205	7.5 0.295	33.3 1-5/16	M10 3/8	SA204 SA204-12	PP205	R-5	0.24
SAPR 205 205-14 205-15 205-16	25 7/8 15/16 1	33.3 1-5/16	117 4-39/64	95 3-47/64	38 1-1/2	11.5 29/64	4.0 5/32	66.3 2-39/64	31.0 1.2205	7.5 0.295	38.1 1-1/2	M10 3/8	SA205 SA205-14 SA205-15 SA205-16	PP206	R-6	0.35
SAPR 206 206-17 206-18 206-19 206-20	30 1-1/16 1-1/8 1-3/16 1-1/4	39.7 1-9/16	129 5-5/64	106 4-11/64	42 1-21/32	11.5 29/64	4.6 3/16	78.0 3-5/64	35.7 1.4055	9.0 0.354	44.5 1-3/4	M10 3/8	SA206 SA206-17 SA206-18 SA206-19 SA206-20	PP207	R-7	0.48

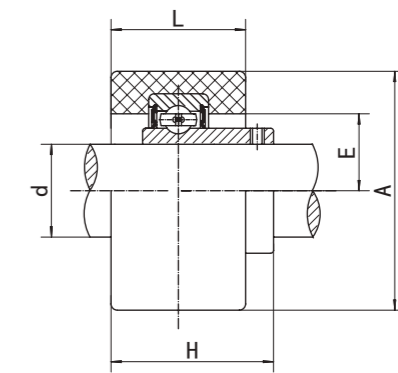
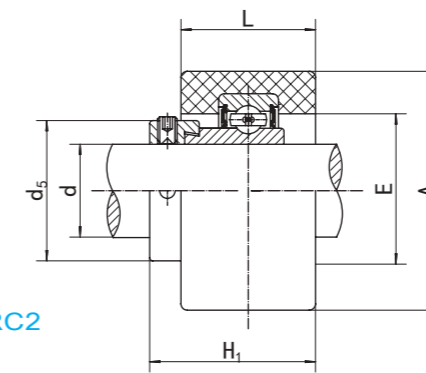
Unit NO.	Dimensions (mm / in.)											Bolt Size mm/in.	Bearing No.	Housing No.	Rubber Ring NO.	Weight (kg)
	d	h	a	e	b	N	g	w	B	s						
SBPR 201 201-8	12 1/2	25.4	98	76	32	9.5	3.2	50.5	22.0	6.0	M8	SB201 SB201-8	PP204	R-4	0.17	
SBPR 202 202-10	15 5/8	1	3-55/64	2-63/64	1-17/64	3/8	1/8	1-63/64	0.8661	0.2362	5/8	SB202 SB202-10				
SBPR 203 203-11	17 11/16											SB203 SB203-11				
SBPR 204 204-12	20 3/4	28.6 1-1/8	108 4-1/4	86 3-25/64	32 1-17/64	11.5 29/64	4.0 5/32	56.6 2-15/64	25.0 0.9843	7.0 0.2756	M10 3/8	SB204 SB204-12	PP205	R-5	0.24	
SBPR 205 205-14 205-15 205-16	25 7/8 15/16 1	33.3 1-5/16	117 4-39/64	95 3-47/64	38 1-1/2	11.5 29/64	4.0 5/32	66.3 2-39/64	27.0 1.0630	7.5 0.295	M10 3/8	SB205 SB205-14 SB205-15 SB205-16	PP206	R-6	0.35	
SBPR 206 206-17 206-18 206-19 206-20	30 1-1/16 1-1/8 1-3/16 1-1/4	39.7 1-9/16	129 5-5/64	106 4-11/64	42 1-21/32	11.5 29/64	4.6 3/16	78.0 3-5/64	30.0 1.1811	8.0 0.3150	M10 3/8	SB206 SB206-17 SB206-18 SB206-19 SB206-20	PP207	R-7	0.48	

Note: "Snap-together" housings available upon request-add "ST" suffix.

CSARC2 (SA2-Fitted)

Rubber Mounted Units (Light duty)

CSBRC2 (SB2-Fitted)



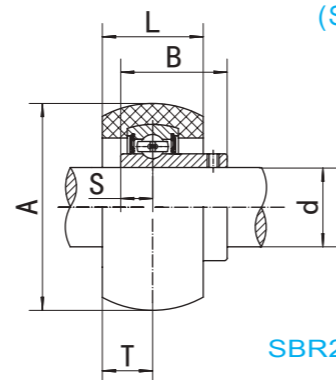
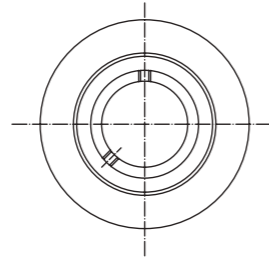
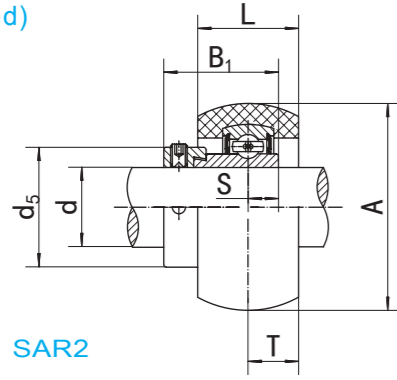
Unit No.	Dimensions (mm / in.)						Bearing No.	Rubber Ring NO.	Weight (kg)
	d	A	L	E	H1	d5			
CSARC 201 201-8	12 1/2	64.3 2-17/32	25.4 1	34.9 1-3/8	34.9 1-3/8	28.6 1-1/8	CSA201 CSA201-8	RC-3	0.20
CSARC 202 202-10	15 5/8	64.3 2-17/32	25.4 1	34.9 1-3/8	34.9 1-3/8	28.6 1-1/8	CSA202 CSA202-10	RC-3	0.20
CSARC 203 203-11	17 11/16	64.3 2-17/32	25.4 1	34.9 1-3/8	34.9 1-3/8	28.6 1-1/8	CSA203 CSA203-11	RC-3	0.20
CSARC 204 204-12	20 3/4	64.3 2-17/32	25.4 1	39.7 1-9/16	36.1 1-27/64	33.3 1-5/16	CSA204 CSA204-12	RC-4	0.24
CSARC 205 205-14 205-15 205-16	25 7/8 15/16 1	64.3 2-17/32	25.4 1	45.2 1-25/32	36.1 1-27/64	38.1 1-1/2	CSA205 CSA205-14 CSA205-15 CSA205-16	RC-5	0.26
CSARC 206 206-17 206-18 206-19	30 1-1/16 1-1/8 1-3/16	79.0 3-7/64	27.0 1-1/16	54.0 2-1/8	40.2 1-37/64	44.5 1-3/4	CSA206 CSA206-17 CSA206-18 CSA206-19	RC-6	0.36

Unit No.	Dimensions (mm / in.)						Bearing No.	Rubber Ring NO.	Weight (kg)
	d	A	L	E	H				
CSBRC 201 201-8	12 1/2	64.3 2-17/32	25.4 1	34.9 1-3/8	29 1-9/64		CSB201 CSB201-8	RC-3	0.16
CSBRC 202 202-10	15 5/8	64.3 2-17/32	25.4 1	34.9 1-3/8	29 1-9/64		CSB202 CSB202-10	RC-3	1.61
CSBRC 203 203-11	17 11/16	64.3 2-17/32	25.4 1	34.9 1-3/8	29 1-9/64		CSB203 CSB203-11	RC-3	0.16
CSBRC 204 204-12	20 3/4	64.3 2-17/32	25.4 1	39.7 1-9/16	31 1-7/32		CSB204 CSB204-12	RC-4	0.22
CSBRC 205 205-14 205-15 205-16	25 7/8 15/16 1	64.3 2-17/32	25.4 1	45.2 1-25/32	32.5 1-9/32		CSB205 CSB205-14 CSB205-15 CSB205-16	RC-5	0.24
CSBRC 206 206-17 206-18 206-19	30 1-1/16 1-1/8 1-3/16	79.0 3-7/64	27.0 1-1/16	54.0 2-1/8	35.5 1-13/32		CSB206 CSB206-17 CSB206-18 CSB206-19	RC-6	0.32

SAR2
(SA2-Fitted)

Rubber Mounted Units
(Light duty)

SBR2
(SB2-Fitted)



SBR2

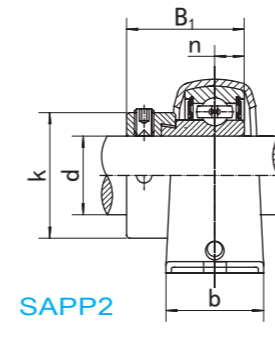
Unit No.	Dimensions (mm / in.)							Bearing No.	Rubber Ring NO.	Weight (kg)
	d	A	L	T	B ₁	S	d ₅			
SAR 201 201-8	12 1/2	47.4 1-7/8	17.4 11/16	8.7 11/32	28.6 1.1260	6.5 0.2559	28.6 1-1/8	SA201	R-4	0.16
SAR 202 202-10	15 5/8							SA201-8		
SAR 203 203-11	17 2/3							SA202		
		SA202-10								
SAR 204 204-12	20 3/4	52.4 2-1/16	17.4 11/16	8.7 11/32	31 1.2205	7.5 0.2953	33.3 1-5/16	SA203	R-5	0.17
SAR 205 205-14 205-15 205-16	25 7/8 15/16 1	62.4 2-29/64	19.8 25/32	10.3 13/32	31 1.2205	7.5 0.2953	38.1 1-1/2	SA204	R-6	0.22
SAR 206 206-17 206-18 206-19 206-20	30 1-1/16 1-1/8 1-3/16 1-1/4	72.4 2-27/32	20.6 13/16	10.3 13/32	35.7 1.4055	9 0.3543	44.5 1-3/4	SA205	R-7	0.36

Unit No.	Dimensions (mm / in.)							Bearing No.	Rubber Ring NO.	Weight (kg)
	d	A	L	T	B	S				
SBR 201 201-8	12 1/2	47.4 1-7/8	17.4 11/16	8.7 11/32	22 0.8661	6 0.2362		SB201	R-4	0.11
SBR 202 202-10	15 5/8							SB201-8		
SBR 203 203-11	17 2/3							SB202		
		SB202-10								
SBR 204 204-12	20 3/4	52.4 2-1/16	17.4 11/16	8.7 11/32	25 0.9843	7 0.2756		SB203	R-5	0.16
SBR 205 205-14 205-15 205-16	25 7/8 15/16 1	62.4 2-29/64	19.8 25/32	10.3 13/32	27 1.063	7.5 0.2953		SB204	R-6	0.19
SBR 206 206-17 206-18 206-19 206-20	30 1-1/16 1-1/8 1-3/16 1-1/4	72.4 2-27/32	20.6 13/16	10.3 13/32	30 1.1811	8 0.315		SB205	R-7	0.44

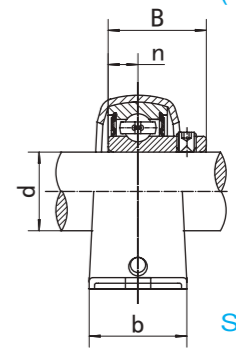
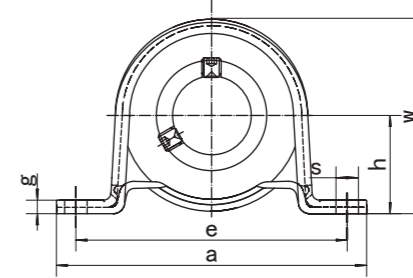
SAPP2
(SA2-Fitted)

Pressed Housing Pillow Blocks
(Light duty)

SBPP2
(SB2-Fitted)



SAPP2



SBPP2

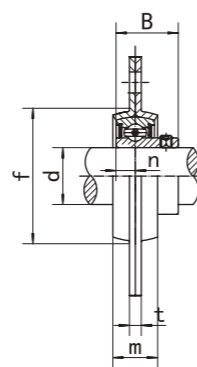
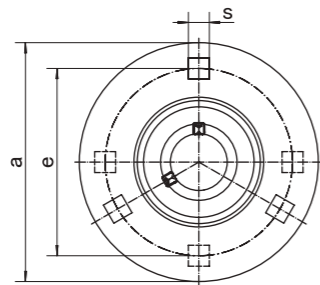
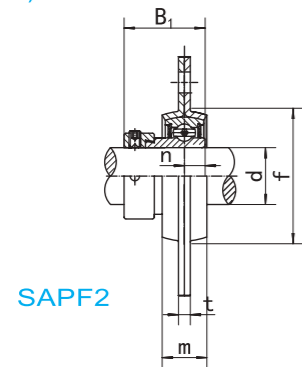
Unit NO.	Dimensions (mm / in.)										Bolt Size mm/in.	Bearing No.	Housing No.	Weight (kg)
	d	h	a	e	b	s	g	w	B ₁	n				
SAPP 201 201-8	12 1/2	22.2 7/8	86 3-3/8	68 2-43/64	25 63/64	9.5 3/8	3.2 0.126	43.8 1-23/32	28.6 1.1260	6.5 0.2559	M8 5/16	SA201	PP204	0.17
SAPP 202 202-9 202-10	15 9/16 5/8											SA201-8		
SAPP 203 203-11	17 11/16											SA202		
		SA202-9 SA202-10												
SAPP 204 204-12	20 3/4	25.4 1	98 3-27/32	76 2-63/64	32 1-1/4	9.5 3/8	3.2 0.126	50.5 1-63/64	31 1.2204	7.5 0.2953	M8 5/16	SA203	PP204	0.25
SAPP 205 205-13 205-14 205-15 205-16	25 13/16 7/8 15/16 1	28.6 1-1/8	108 4-1/4	86 3-25/64	32 1-1/4	11.5 29/64	4.0 0.157	56.6 2-15/64	31 1.2204	7.5 0.2953	M10 3/8	SA203-11	PP204	0.32
SAPP 206 206-17 206-18 206-19 206-20	30 1-1/16 1-1/8 1-3/16 1-1/4	33.3 1-5/16	117 4-39/64	95 3-47/64	38 1-1/2	11.5 29/64	4.0 0.157	66.3 2-39/64	35.7 1.4055	9 0.3543	M10 3/8	SA204	PP204	0.25
SAPP 207 207-20 207-21 207-22 207-23	35 1-1/4 1-5/16 1-3/8 1-7/16	39.7 1-9/16	129 5-5/64	106 4-5/32	42 1-21/32	11.5 29/64	4.6 0.181	78.0 3-1/8	38.9 1.5315	9.5 0.3740	M10 3/8	SA205	PP205	0.32
SAPP 208 208-24 208-25	40 1-1/2 1-9/16	43.7 1-23/32	148 5-53/64	120 4-47/64	43 1-11/16	13.0 33/64	5.0 0.197	86.2 3-25/64	43.7 1.7205	11 0.433	M12 7/16	SA205-13 SA205-14 SA205-15 SA205-16	PP205	0.32
SAPP 209 209-26 209-27 209-28	45 1-5/8 1-11/16 1-3/4	46.8 1-27/32	156 6-9/64	128 5-3/64	45 1-25/32	13.0 33/64	6.0 0.236	92.3 3-41/64	43.7 1.7205	11 0.433	M12 7/16	SA206	PP206	0.47

Unit NO.	Dimensions (mm / in.)										Bolt Size mm/in.	Bearing No.	Housing No.	Weight (kg)
	d	h	a	e	b	s	g	w	B	n				
SBPP 201 201-8	12 1/2	22.2 7/8	86 3-3/8	68 2-43/64	25 63/64	9.5 3/8	3.2 0.126	43.8 1-23/32	22 0.8661	6 0.2362	M8 5/16	SB201	PP204	0.14
SBPP 202 202-9 202-10	15 9/16 5/8											SB201-8		
SBPP 203 203-11	17 11/16											SB202		
		SB202-9 SB202-10												
SBPP 204 204-12	20 3/4	25.4 1	98 3-27/32	76 2-63/64	32 1-1/4	9.5 3/8	3.2 0.126	50.5 1-63/64	25 0.9843	7 0.2756	M8 5/16	SB203	PP204	0.22
SBPP 205 205-13 205-14 205-15 205-16	25 13/16 7/8 15/16 1	28.6 1-1/8	108 4-1/4	86 3-25/64	32 1-1/4	11.5 29/64	4.0 0.157	56.6 2-15/64	27 1.0630	7.5 0.2953	M10 3/8	SB203-11	PP204	0.28
SBPP 206 206-17 206-18 206-19 206-20	30 1-1/16 1-1/8 1-3/16 1-1/4	33.3 1-5/16	117 4-39/64	95 3-47/64	38 1-1/2	11.5 29/64	4.0 0.157	66.3 2-39/64	30 1.1811	8 0.3150	M10 3/8	SA204-12	PP204	0.22
SBPP 207 207-20 207-21 207-22 207-23	35 1-1/4 1-5/16 1-3/8 1-7/16	39.7 1-9/16	129 5-5/64	106 4-5/32	42 1-21/32	11.5 29/64	4.6 0.181	78.0 3-1/8	32 1.2598	8.5 0.3346	M10 3/8	SB205	PP205	0.28
SBPP 208 208-24 208-25	40 1-1/2 1-9/16	43.7 1-23/32	148 5-53/64	120 4-47/64	43 1-11/16	13.0 33/64	5.0 0.197	86.2 3-25/64	34 1.3386	9 0.354	M12 7/16	SB205-13 SB205-14 SB205-15 SB205-16	PP205	0.28
SBPP 209 209-26 209-27 209-28	45 1-5/8 1-11/16 1-3/4	46.8 1-27/32	156 6-9/64	128 5-3/64	45 1-25/32	13.0 33/64	6.0 0.236	92.3 3-41/64	41.2 1.6220	10.2 0.402	M12 7/16	SA206-17 SA206-18 SA206-19 SA206-20	PP206	0.42

SAPF2 (SA2-Fitted)

Pressed Housing Flange Units (Light duty)

SBPF2 (SB2-Fitted)



SBPF2

Unit NO.	Dimensions (mm / in.)										Bolt Size mm/in.	Bearing No.	Housing No.	Weight (kg)
	d	a	e	m	s ¹⁾	t	f	B ₁	n					
SAPF 201 201-8	12 1/2	81	63.5	14.0	7.1	4.0	49	28.6	6.5		M6	SA201 SA201-8	PF204	0.30
SAPF 202 202-9 202-10	15 9/16 5/8	3-3/16	2-1/2	9/16	9/32	0.157	1-59/64	1.1260	0.2559		1/4	SA202 SA202-9 SA202-10	PF204	
SAPF 203 203-11	17 11/16											SA203 SA203-11	PF204	
SAPF 204 204-12	20 3/4	90	71.5	16.0	9.0	4.0	56	31	7.5		M8	SA204 SA204-12	PF204	0.33
SAPF 205 205-13 205-14 205-15 205-16	25 13/16 7/8 15/16 1	95	76.0	18.0	9.0	4.0	60	31	7.5		M8	SA205 SA205-13 SA205-14 SA205-15 SA205-16	PF205	
SAPF 206 206-17 206-18 206-19 206-20	30 1-1/16 1-1/8 1-3/16 1-1/4	113	90.5	18.0	11.0	5.2	71	35.7	9		M10	SA206 SA206-17 SA206-18 SA206-19 SA206-20	PF206	
SAPF 207 207-20 207-21 207-22 207-23	35 1-1/4 1-5/16 1-3/8 1-7/16	122	100.0	20.0	11.0	5.2	81	38.9	9.5		M10	SA207 SA207-20 SA207-21 SA207-22 SA207-23	PF207	0.80
SAPF 208 208-24 208-25	40 1-1/2 1-9/16	148	119.0	21.0	13.5	6.8	91	43.7	11		M12	SA208 SA208-24 SA208-25	PF208	
SAPF 209 209-26 209-27 209-28	45 1-5/8 1-11/16 1-3/4	150	120.5	23.0	13.5	6.8	98	43.7	11		M12	SA209 SA209-26 SA209-27 SA209-28	PF209	
SAPF 210 210-29 210-30 210-31 210-32	50 1-13/16 1-7/8 1-15/16 2	157	127.0	25.0	13.5	8.0	102	43.7	11		M12	SA210 SA210-29 SA210-30 SA210-31 SA210-32	PF210	1.59
SAPF 211 211-32 211-33 211-34 211-35	55 2 2-1/16 2-1/8 2-3/16	168	138.0	26.0	13.5	8.0	113	48.4	12		M12	SA211 SA211-32 SA211-33 SA211-34 SA211-35	PF211	
SAPF 212 212-36 212-37 212-38 212-39	60 2-1/4 2-5/16 2-3/8 2-7/16	177	148.0	28.0	13.5	8.0	122	53.1	13.5		M12	SA212 SA212-36 SA212-37 SA212-38 SA212-39	PF212	

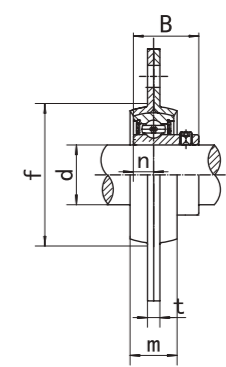
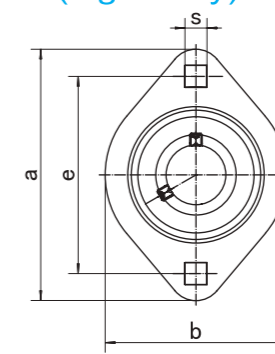
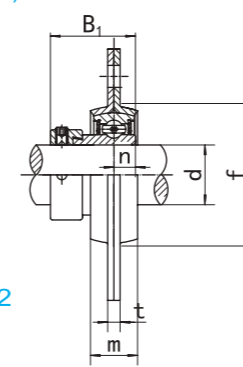
Unit NO.	Dimensions (mm / in.)										Bolt Size mm/in.	Bearing No.	Housing No.	Weight (kg)
	d	a	e	m	s ¹⁾	t	f	B	n					
SBPF 201 201-8	12 1/2	81	63.5	14.0	7.1	4.0	49	22	6		M6	SB201 SB201-8	PF204	0.27
SBPF 202 202-9 202-10	15 9/16 5/8	3-3/16	2-1/2	9/16	9/32	0.157	1-59/64	0.8661	0.2362		1/4	SB202 SB202-9 SB202-10	PF204	
SBPF 203 203-11	17 11/16											SB203 SB203-11	PF203	
SBPF 204 204-12	20 3/4	90	71.5	16.0	9.0	4.0	56	25	7		M8	SB204 SB204-12	PF204	0.29
SBPF 205 205-13 205-14 205-15 205-16	25 13/16 7/8 15/16 1	95	76.0	18.0	9.0	4.0	60	27	7.5		M8	SB205 SB205-13 SB205-14 SB205-15 SB205-16	PF205	
SBPF 206 206-17 206-18 206-19 206-20	30 1-1/16 1-1/8 1-3/16 1-1/4	113	90.5	18.0	11.0	5.2	71	30	8		M10	SB206 SB206-17 SB206-18 SB206-19 SB206-20	PF206	
SBPF 207 207-20 207-21 207-22 207-23	35 1-1/4 1-5/16 1-3/8 1-7/16	122	100.0	20.0	11.0	5.2	81	32	8.5		M10	SB207 SB207-20 SB207-21 SB207-22 SB207-23	PF207	0.68
SBPF 208 208-24 208-25	40 1-1/2 1-9/16	148	119.0	21.0	13.5	6.8	91	34	9		M12	SB208 SB208-24 SB208-25	PF208	
SBPF 209 209-26 209-27 209-28	45 1-5/8 1-11/16 1-3/4	150	120.5	23.0	13.5	6.8	98	41.2	10.2		M12	SB209 SB209-26 SB209-27 SB209-28	PF209	
SBPF 210 210-29 210-30 210-31 210-32	50 1-13/16 1-7/8 1-15/16 2	157	127.0	25.0	13.5	8.0	102	43.5	10.9		M12	SB210 SB210-29 SB210-30 SB210-31 SB210-32	PF210	1.49
SBPF 211 211-32 211-33 211-34 211-35	55 2 2-1/16 2-1/8 2-3/16	168	138.0	26.0	13.5	8.0	113	45.3	11.8		M12	SB211 SB211-32 SB211-33 SB211-34 SB211-35	PF211	
SBPF 212 212-36 212-37 212-38 212-39	60 2-1/4 2-5/16 2-3/8 2-7/16	177	148.0	28.0	13.5	8.0	122	53.7	14.9		M12	SB212 SB212-36 SB212-37 SB212-38 SB212-39	PF212	

1)Note:PF208-212 With 4 bolt holes

SAPFL2 (SA2-Fitted)

Pressed Housing Flange Units (Light duty)

SBPFL2 (SB2-Fitted)



SBPFL2

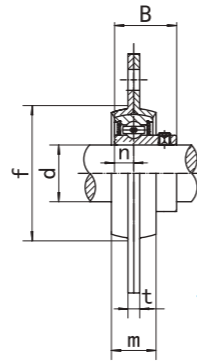
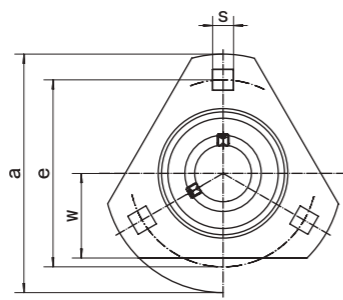
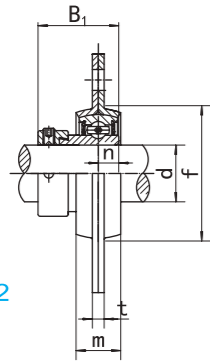
Unit NO.	Dimensions (mm / in.)										Bolt Size mm/in.	Bearing No.	Housing No.	Weight (kg)
	d	a	e	b	m	S	t	f (min)	B ₁	n				
SAPFL 201 201-8	12 1/2	81	63.5	59	14	7.1	4	49	29	6.5	M6	SA201 SA201-8	PFL204	0.20
SAPFL 202 202-9 202-10	15 9/16 5/8	3-3/16	2-1/2	2-21/64	9/16	9/32	0.157	1-59/64	1.1260	0.2559	1/4	SA202 SA202-9 SA202-10	PFL204	
SAPFL 203 203-11	17 11/16											SA203 SA203-11	PFL204	
SAPFL 204 204-12	20 3/4	90	71.5	67	16	9	4	56	31	7.5	M8	SA204 SA204-12	PF204	0.25
SAPFL 205 205-13 205-14 205-15 205-16	25 13/16 7/8 15/16 1	95	76	71	18	9	4	60	31	7.5	M8	SA205 SA205-13 SA205-14 SA205-15 SA205-16	PF205	
SAPFL 206 206-17 206-18 206-19 206-20	30 1-1/16 1-1/8 1-3/16 1-1/4	113	90.5	84	18	11	5.2	71	35.7	9	M10	SA206 SA206-17 SA206-18 SA206-19 SA206-20	PF206	
SAPFL 207 207-20 207-21 207-22 207-23	35 1-1/4 1-5/16 1-3/8 1-7/16	122	100	94	20	11	5.2	81	38.9	9.5	M10	SA207 SA207-20 SA207-21 SA207-22 SA207-23	PF207	0.67
SAPFL 208 208-24 208-25	40 1-1/2 1-9/16	148	119	100	21	13.5	6.8	91	43.7	11	M12	SA208 SA208-24 SA208-25	PF208	

Unit NO.	Dimensions (mm / in.)										Bolt Size mm/in.	Bearing No.	Housing No.	Weight (kg)
	d	a	e	b	m	S	t	f (min)	B	n				
SBPFL 201 201-8	12 1/2	81	63.5	59	14	7.1	4	49	22	6	M6	SB201 SB201-8	PFL204	0.18
SBPFL 202 202-9 202-10	15 9/16 5/8	3-3/16	2-1/2	2-21/64	9/16	9/32	0.157	1-59/64	0.8661	0.2362	1/4	SB202 SB202-9 SB202-10	PFL204	
SBPFL 203 203-11	17 11/16											SB203 SB203-11	PFL204	
SBPFL 204 204-12	20 3/4	90	71.5	67	16	9	4	56	25	7	M8	SB204 SB204-12	PF204	0.22
SBPFL 205 205-13 205-14 205-15 205-16	25 13/16 7/8 15/16 1	95	76	71	18	9	4	60	27	7.5	M8	SB205 SB205-13 SB205-14 SB205-15 SB205-16	PF205	
SBPFL 206 206-17 206-18 206-19 206-20	30 1-1/16 1-1/8 1-3/16 1-1/4	113	90.5	84	18	11	5.2	71	30	8	M10	SB206 SB206-17 SB206-18 SB206-19 SB206-20	PF206	
SBPFL 207 207-20 207-21 207-22 207-23	35 1-1/4 1-5/16 1-3/8 1-7/16	122	100	94	20	11	5.2	81	32	8.5	M10	SB207 SB207-20 SB207-21 SB207-22 SB207-23	PF207	0.53
SBPFL 208 208-24 208-25	40 1-1/2 1-9/16	148	119	100	21	13.5	6.8	91	34	9	M12	SB208 SB208-24 SB208-25	PF208	

SAPFT2
(SA2-Fitted)

Pressed Housing Flange Units
(Light duty)

SBPFT2
(SB2-Fitted)



SAPFT2

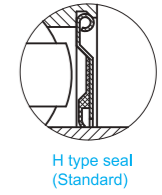
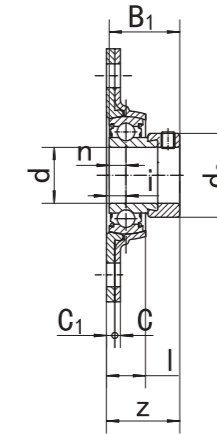
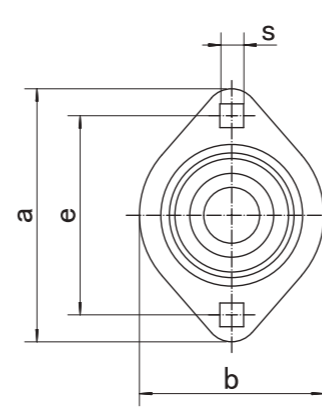
SBPFT2

Unit NO.	Dimensions (mm / in.)										Bolt Size mm/in.	Bearing No.	Housing No.	Weight (kg)										
	d	a	e	b	m	S	t	f (min)	B ₁	n														
SAPFT 201 201-8	12 1/2	81	63.5	28.5	14	7.1	4	49	28.6	6.5	M6	SA201	PFT204	0.26										
SAPFT 202 202-9 202-10	15 9/16 5/8											3-3/16			2-1/2	1-1/8	9/16	9/32	0.157	1-59/64	1.1260	0.2559	1/4	SA202 SA202-9 SA202-10
SAPFT 203 203-11	17 11/16																							SA203 SA203-11
SAPFT 204 204-12	20 3/4	90	71.5	33	16	9	4	56	31	7.5	M8	SA204	PFT204	0.28										
SAPFT 205 205-13 205-14 205-15 205-16	25 13/16 7/8 15/16 1	95	76	35	18	9	4	60	31	7.5	M8	SA205	PFT205	0.32										
SAPFT 206 206-17 206-18 206-19 206-20	30 1-1/16 1-1/8 1-3/16 1-1/4	113	90.5	40	18	11	5.2	71	35.7	9	M10	SA206												
SAPFT 207 207-20 207-21 207-22 207-23	35 1-1/4 1-5/16 1-3/8 1-7/16	122	100	44.5	20	11	5.2	81	38.9	9.5	M10	SA207			PFT207	1.07								
		4-13/16	3-15/16	1-3/4	25/32	7/16	0.205	3-3/16	1.5315	0.3740	3/8	SA207-20 SA207-21 SA207-22 SA207-23												

Unit NO.	Dimensions (mm / in.)										Bolt Size mm/in.	Bearing No.	Housing No.	Weight (kg)										
	d	a	e	b	m	S	t	f (min)	B	n														
SBPFT 201 201-8	12 1/2	81	63.5	28.5	14	7.1	4	49	22	6	M6	SB201	PFT204	0.23										
SBPFT 202 202-9 202-10	15 9/16 5/8											3-3/16			2-1/2	1-1/8	9/16	9/32	0.157	1-59/64	0.8661	0.2362	1/4	SB202 SB202-9 SB202-10
SBPFT 203 203-11	17 11/16																							SB203 SB203-11
SBPFT 204 204-12	20 3/4	90	71.5	33	16	9	4	56	25	7	M8	SB204	PFT204	0.24										
SBPFT 205 205-13 205-14 205-15 205-16	25 13/16 7/8 15/16 1	95	76	35	18	9	4	60	27	7.5	M8	SB205	PFT205	0.28										
SBPFT 206 206-17 206-18 206-19 206-20	30 1-1/16 1-1/8 1-3/16 1-1/4	113	90.5	40	18	11	5.2	71	30	8	M10	SB206												
SBPFT 207 207-20 207-21 207-22 207-23	35 1-1/4 1-5/16 1-3/8 1-7/16	122	100	44.5	20	11	5.2	81	32	8.5	M10	SB207			PFT207	0.58								
		4-13/16	3-15/16	1-3/4	25/32	7/16	0.205	3-3/16	1.2598	0.3346	3/8	SB207-20 SB207-21 SB207-22 SB207-23												

Pressed Housing Flange Units
(Light duty)

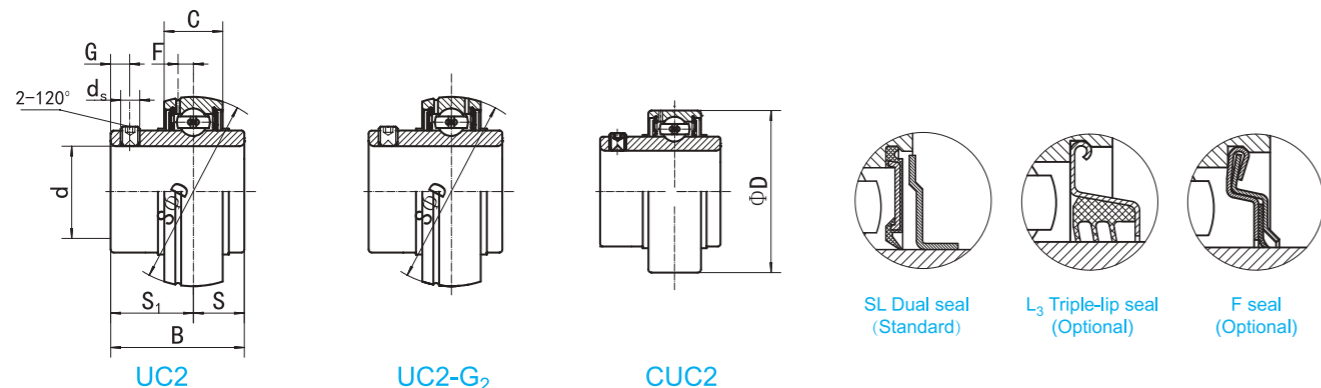
SACSLT1
(SA1-Fitted)



Unit NO.	Dimensions (mm / in.)													Bolt Size mm/in.	Bearing No.	Housing No.	Weight (kg)		
	d	a	e	b	C ₁	C	i	l	s	z	B ₁	n	d ₃						
SACSLT104 104-12	20 3/4	90.5	71.5	66.0	3.0	2.0	7.5	14.0	8.7	26.1	24.6	6.0	30.0	M8	SA104	CSLT104	0.22		
	3-9/16	2-13/16	2-19/32	1/8	5/64	19/64	35/64	11/32	1-1/32	0.968	0.236	1.180	5/16	SA104-12					
SACSLT105 105-13 105-14 105-15 105-16	25 13/16 7/8 15/16 1	95.2	76.2	71.0	3.0	2.0	8.5	16.0	8.7	28.0	25.4	6.0	36.0	M8	SA105	CSLT105	0.25		
	3-3/4	3	2-51/64	1/8	5/64	21/64	5/8	11/32	1-7/64	1.000	0.236	1.417	5/16	SA105-13 SA105-14 SA105-15 SA105-16					
SACSLT106 106-17 106-18 106-19	30 1-1/16 1-1/8 1-3/16	112.5	90.5	84.0	3.5	2.5	9.0	16.0	11.5	28.7	26.2	6.5	42.5	M10	SA106			CSLT106	0.30
	4-27/64	3-9/16	3-5/16	9/64	3/32	23/64	5/8	29/64	1-1/8	1.031	0.256	1.673	3/8	SA106-17 SA106-18 SA106-19					

UC2 (Normal-duty)

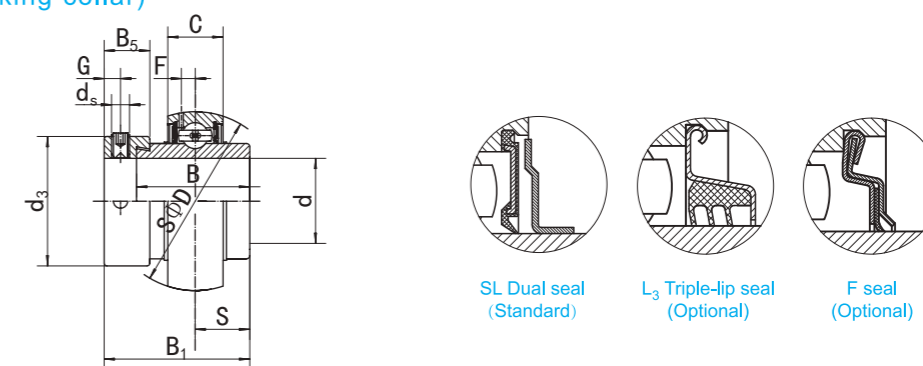
Ball Bearings



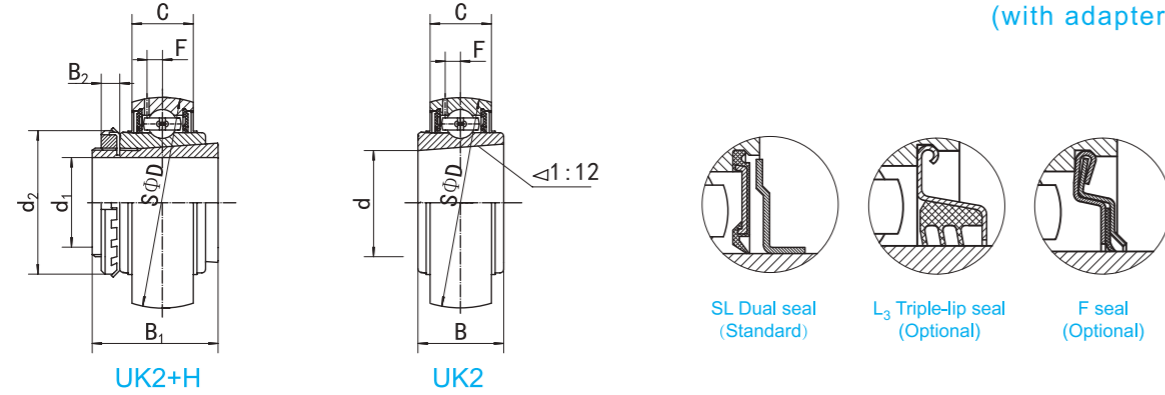
Bearing NO.	Dimensions (mm / in.)										Dynamic load ratings (N)	Static load ratings (N)	Weight (kg)
	d	D	B	C	S	S ₁	G	d _s	F				
UCS201	12	40	27.4	14.0	11.5	15.9	4.0	M5x0.8	3.7			0.12	
201-8	1/2											0.12	
UCS202	15	1.5748	1.0787	0.5512	0.4528	0.626	0.157	10-32UNF	0.146	9600	4600	0.11	
202-9	9/16											0.11	
202-10	5/8											0.11	
UCS203	17	31.0	17.0	12.7	18.3	4.8	M6x1	3.7	12800	6600	0.10		
203-11	11/16										0.10		
UC201	12										0.20		
201-8	1/2	0.19											
UC202	15	0.19											
202-9	9/16	0.19											
202-10	5/8	0.19											
UC203	17	0.18											
203-11	11/16	0.17											
UC204	20	47	31.0	17.0	12.7	18.3	4.8	M6x1	3.7	12800	6600	0.16	
204-12	3/4	1.8504	1.2205	0.6693	0.500	0.720	0.189	1/4-28UNF	0.146			0.16	
UC205	25	52	34.1	17.0	14.3	19.8	5.0	M6x1	3.9	14000	7850	0.19	
205-13	13/16	2.0472	1.3425	0.6693	0.563	0.780	0.197	1/4-28UNF	0.154			0.23	
205-14	7/8											0.22	
205-15	15/16											0.20	
205-16	1											0.19	
UC206	30	62	38.1	19.0	15.9	22.2	5.0	M6x1	5.0	19450	11250	0.30	
206-17	1-1/16	2.4409	1.5000	0.7480	0.626	0.874	0.197	1/4-28UNF	0.197			0.31	
206-18	1-1/8											0.32	
206-19	1-3/16											0.30	
206-20	1-1/4											0.29	
UC207	35	72	42.9	20.0	17.5	25.4	7.0	M8x1	5.7	25700	15200	0.45	
207-20	1-1/4	2.8346	1.6890	0.7874	0.689	1.000	0.276	5/16-24UNF	0.224			0.51	
207-21	1-5/16											0.48	
207-22	1/3/8											0.45	
207-23	1-7/16											0.42	
UC208	40	80	49.2	21.0	19.0	30.2	8.0	M8x1	6.2	29500	18100	0.60	
208-24	1-1/2	3.1496	1.9370	0.8268	0.748	1.189	0.315	5/16-24UNF	0.244			0.64	
208-25	1-9/16											0.61	
UC209	45	85	49.2	22.0	19.0	30.2	8.0	M8x1	6.4	32700	20900	0.65	
209-26	1-5/8	3.3465	1.9370	0.8661	0.748	1.189	0.315	5/16-24UNF	0.252			0.75	
209-27	1-11/16											0.71	
209-28	1-3/4											0.67	
UC210	50	90	51.6	24.0	19.0	32.6	10.0	M10x1	6.5	35000	23200	0.75	
210-29	1-13/16	3.5433	2.0315	0.9449	0.748	1.283	0.394	3/8-24UNF	0.256			0.87	
210-30	1-7/8											0.82	
210-31	1-15/16											0.77	
210-32	2											0.73	
UC211	55	100	55.6	25.0	22.2	33.4	10.0	M10x1	7.0	43300	29200	0.99	
211-32	2	3.9370	2.1890	0.9843	0.874	1.315	0.394	3/8-24UNF	0.276			1.14	
211-33	2-1/16											1.08	
211-34	2-1/8											1.07	
211-35	2-3/16											0.97	
UC212	60	110	65.1	27.0	25.4	39.7	10.0	M10x1	7.6	47700	32800	1.32	
212-36	2-1/4	4.3307	2.5630	1.0630	1.000	1.563	0.394	3/8-24UNF	0.299			1.52	
212-37	2-5/16											1.44	
212-38	2-3/8											1.37	
212-39	2-7/16											1.30	
UC213	65	120	65.1	28.0	25.4	39.7	10.0	M10x1	8.5	57200	40000	1.70	
213-40	2-1/2	4.3307	2.5630	1.1024	1.000	1.563	0.394	3/8-24UNF	0.335			1.79	
213-41	2-9/16											1.70	
UC214	70	125	74.6	29.0	30.2	44.4	12.0	M12x1.5	8.9	62100	44800	1.94	
214-42	2-5/8	4.9213	2.9370	1.1417	1.189	1.748	0.472	7/16-20UNF	0.350			2.15	
214-43	2-11/16											2.05	
214-44	2-3/4											1.95	
UC215	75	130	77.8	30.0	33.3	44.5	12.0	M12x1.5	9.2	66200	49300	2.16	
215-45	2-13/16	5.1181	3.0630	1.1811	1.311	1.752	0.472	7/16-20UNF	0.362			2.16	
215-46	2-7/8											2.41	
215-47	2-15/16											2.30	
215-48	3											2.10	
UC216	80	140	82.6	32.0	33.3	49.3	12.0	M12x1.5	9.5	72600	53300	2.65	
216-49	3-1/16	5.5118	3.2520	1.2598	1.311	1.9409	0.472	7/16-20UNF	0.374			2.83	
216-50	3-1/8											2.70	
216-51	3-3/16											2.57	
UC217	85	150	85.7	34.0	34.1	51.6	12.0	M12x1.5	10.2	83300	63700	3.29	
217-52	3-1/4	5.9055	3.3740	1.3386	1.341	2.031	0.472	7/16-20UNF	0.402			3.41	
217-53	3-5/16											3.37	
217-55	3-7/16											3.08	
UC218	90	160	96.0	36.0	39.7	56.3	12.0	M12x1.5	11.2	96000	71100	4.04	
218-56	3-1/2	6.2992	3.7795	1.4173	1.563	2.217	0.472	1/2-20UNF	0.441			4.15	
UC220	100	180	108	40	42.0	66.0	16	M14x1.5	13.1	122000	92800	4.56	
220-64	4	7.0866	4.2520	1.5748	1.654	2.598	0.630	9/16-18UNF	0.516			4.35	

HC2 (Normal-duty)

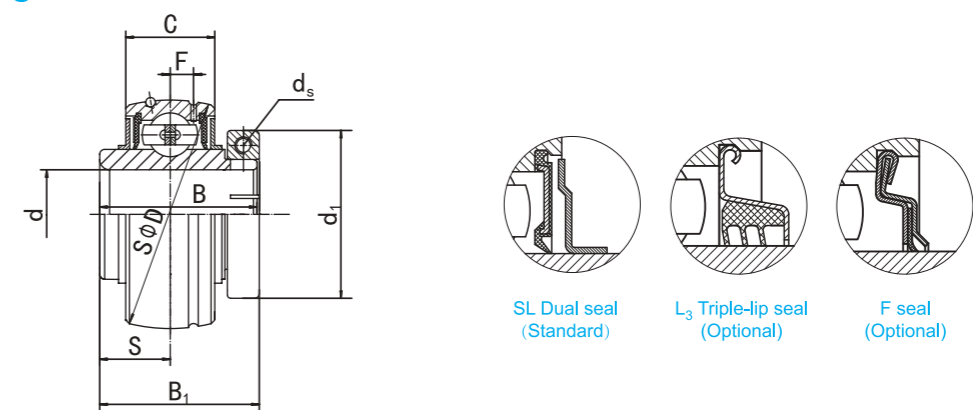
Ball Bearings (with eccentric locking collar)



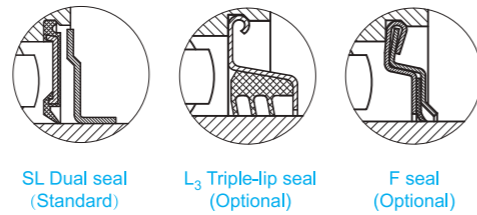
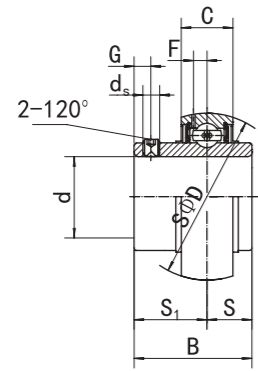
Bearing NO.	Dimensions (mm / in.)											Dynamic load ratings (N)	Static load ratings (N)	Weight (kg)
	d	D	B ₁	B	C	S	d _s	G	B ₅	d ₃	F			
HC201	12	47	43.7	34.2	17	17.1	M6x1	4.8	13.5	33.3	3.7	12800	6600	0.29
201-8	1/2													0.29
HC202	15	1.8504	1.720	1.3465	0.6693	0.673	1/4-28UNF	0.189	0.531	1.311	0.146	12800	6600	0.27
202-9	9/16											0.26		
202-10	5/8											0.26		
HC203	17	31.0	17.0	12.7	18.3	4.8	M6x1	3.7	12800	6600	0.25			
203-11	11/16										0.25			
HC204	20										0.20			
204-12	3/4	1.8504	1.720	1.3465	0.6693	0.673	1/4-28UNF	0.189	0.531	1.311	0.146	12800	6600	0.21
HC205	25	52	44.4	34.9	17	17.5	M6x1	4.8	13.5	38.1	3.9	14000	7850	0.25
205-13	13/16	2.0472	1.748	1.3740	0.6693	0.689	1/4-28UNF	0.189	0.531	1.500	0.154			0.30
205-14	7/8													0.29
205-15	15/16													0.27
205-16	1													0.25
HC206	30	62	48.4	36.5	19	18.3	M8x1	6.0	15.9	44.5	5.0	19450	11250	0.37
206-17	1-1/16	2.4409	1.906	1.4370	0.7480	0.720	5/16-24UNF	0.236	0.626	1.752	0.197			0.42
206-18	1-1/8													0.39
206-19	1-3/16													0.37
206-20	1-1/4													0.34
HC207	35	72	51.1	37.6	20	18.8	M8x1	6.8	17.5	55.6	5.7	25700	15200	0.58
207-20	1-1/4	2.8346	2.012	1.4803	0.7874	0.740	5/16-24UNF	0.268	0.689	2.189	0.224			0.65
207-21	1-5/16													0.61
207-22	1-3/8													0.58
207-23	1-7/16													0.56
HC208	40	80	56.3	42.8	21	21.4	M8x1	6.8	18.3	60.3	6.2	29500	18100	0.73
208-24	1-1/2	3.1496	2.217	1.6850	0.8268	0.843	5/16-24UNF	0.268	0.720	2.374	0.244			0.78
208-25	1-9/16													0.74
HC209	45	85												



Bearing NO.	Dimensions (mm / in.)									Dynamic load ratings (N)	Static load ratings (N)	Weight (kg)
	d ₁	d	D	B	C	B ₁	B ₂	d ₂	F			
UK205;H2305 205;HE2305	20 3/4	25 0.9843	52 2.0472	23 0.9055	17 0.6693	35 1.378	8 0.315	38 1.496	3.9 0.154	14000	7850	0.24
UK206;H2306 206;HS2306 206;HE2306	25 1	30 1.1811	62 2.4409	26 1.0236	19 0.7480	38 1.496	8 0.315	45 1.772	5.0 0.197	19450	11250	0.36
UK207;H2307 207;HS2307	30 1-1/8	35 1.3780	72 2.8346	29 1.1417	20 0.7874	43 1.693	9 0.354	52 2.047	5.7 0.224	25700	15200	0.52
UK208;H2308 208;HE2308 208;HS2308	35 1-1/4 1-3/8	40 1.5748	80 3.1496	31 1.2205	21 0.8268	46 1.811	10 0.394	58 2.283	6.2 0.244	29500	18100	0.67
UK209;H2309 209;HA2309 209;HE2309 209;HS2309	40 1-7/16 1-1/2 1-5/8	45 1.7717	85 3.3465	31 1.2205	22 0.8661	50 1.969	11 0.433	65 2.559	6.4 0.252	32700	20900	0.77
UK210;H2310 210;HS2310 210;HA2310 210;HE2310	45 1-5/8 1-11/16 1-3/4	50 1.9685	90 3.5433	32 1.2598	24 0.9449	55 2.165	12 0.472	70 2.756	6.5 0.256	35000	23200	0.92
UK211;H2311 211;HS2311 211;HA2311 211;HE2311	50 1-7/8 1-15/16 2	55 2.1654	100 3.937	35 1.378	25 0.9843	59 2.323	12 0.472	75 2.953	7 0.276	43300	29200	1.15
UK212;H2312 212;HS2312	55 2-1/8	60 2.3622	110 4.3307	38 1.4961	27 1.0630	62 2.441	13 0.512	80 3.15	7.6 0.299	47700	32800	1.47
UK213;H2313 213;HA2313 213;HE2313 213;HS2313	60 2-3/16 2-1/4 2-3/8	65 2.5591	120 4.7244	40 1.5748	28 1.1024	65 2.559	14 0.551	85 3.346	8.5 0.335	57200	40000	1.81
UK215;H2315 215;HA2315 215;HE2315	65 2-7/16 2-1/2	75 2.9528	130 5.1181	44 1.7323	30 1.1811	73 2.874	15 0.591	98 3.858	9.2 0.362	66200	49300	2.55
UK216;H2316 216;HA2316 216;HE2316	70 2-11/16 2-3/4	80 3.1496	140 5.5118	45 1.7717	32 1.2598	78 3.071	17 0.669	105 4.134	9.5 0.374	72600	53300	3.08
UK217;H2317 217;HA2317 217;HE2317	75 2-15/16 3	85 3.3465	150 5.9055	46 1.8110	34 1.3386	82 3.228	18 0.709	110 4.331	10.2 0.402	83300	63700	3.70
UK218;H2318 218;HA2318	80 3-3/16	90 3.5433	160 6.2992	47 1.8504	36 1.4173	86 3.386	18 0.709	120 4.724	11.2 0.441	96000	71100	4.34

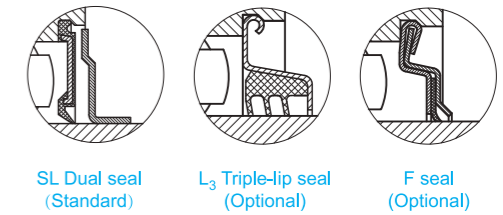
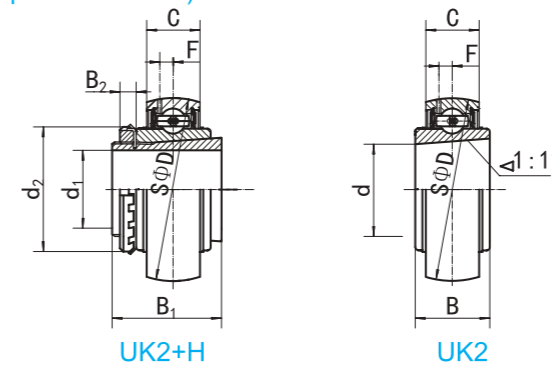


Bearing NO.	Dimensions (mm / in.)									Dynamic load ratings (N)	Static load ratings (N)	Weight (kg)
	d	d ₁	D	B	B ₁	C	S	d _s	F			
NC204 204-12	20 3/4	44.5 1.752	47 1.850	31.0 1.221	33.4 1.315	17 0.669	12.7 0.500	M4X0.7 8-32UNC	3.7 0.146	12800	6600	0.30
NC205 205-13 205-14 205-15 205-16	25 13/16 7/8 15/16 1	49.2 1.937	52 2.047	34.1 1.343	36.5 1.437	17 0.669	14.3 0.563	M4X0.7 8-32UNC	3.9 0.154	14000	7850	0.40
NC206 206-17 206-18 206-19 206-20	30 1-1/16 1-1/8 1-3/16 1-1/4	55.6 2.189	62 2.441	38.1 1.500	39.7 1.563	19 0.748	15.9 0.626	M4X0.7 8-32UNC	5.0 0.197	19450	11250	0.50
NC207 207-20 207-22 207-23	35 1-1/4 1-3/8 1-7/16	65.1 2.437 2.563	72 2.835	42.9 1.689	44.5 1.752	20 0.787	17.5 0.689	M5X0.8 10-24UNC	5.7 0.224	25700	15200	0.80
NC208 208-24	40 1-1/2	68.3 2.689	80 3.150	49.2 1.937	50.8 1.976	21 0.827	19.0 0.748	M5X0.8 10-24UNC	6.2 0.244	29500	18100	1.00
NC209 209-26 209-27 209-28	45 1-5/8 1-11/16 1-3/4	74.6 2.811 2.937	85 3.347	49.2 1.937	50.8 1.976	22 0.866	19.0 0.748	M5X0.8 10-24UNC	6.4 0.252	32700	20900	1.10
NC210 210-31 210-32	50 1-15/16 2	85.7 3.374	90 3.543	51.6 2.031	53.1 2.091	24 0.945	19.0 0.748	M6X1 1/4-20UNC	6.5 0.2559	35000	23200	1.40
NC211 211-32 211-35	55 2 2-3/16	92.1 3.500 3.626	100 3.937	55.6 2.189	57.1 2.248	25 0.984	22.2 0.874	M6X1 1/4-20UNC	7.0 0.276	43500	29200	1.50
NC212 212-36 212-39	55 2-1/4 2-7/16	104.8 4.063 4.126	110 4.331	65.1 2.563	66.7 2.626	27 1.063	25.4 1.000	M8X1.25 5/16-18UNC	7.6 0.299	47700	32900	2.20

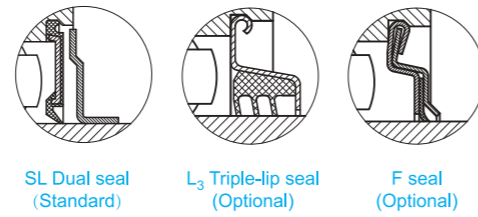
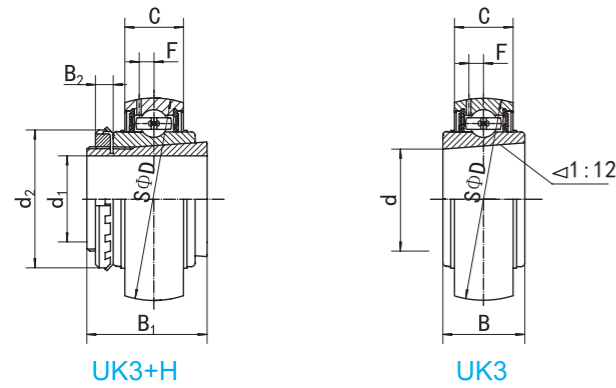


Bearing NO.	Dimensions (mm / in.)									Dynamic load ratings (N)	Static load ratings (N)	Weight (kg)
	d	D	B	C	S	S ₁	G	d _s	F			
UCX05 X05-13 X05-14 X05-15 X05-16	25 13/16 7/8 15/16 1	62 2.4409	38.1 1.5000	19 0.7480	15.9 0.626	22.2 0.874	5 0.197	M6x1 1/4-28UNF	5.0 0.197	19450	11250	0.36
UCX06 X06-17 X06-18 X06-19	30 1-1/16 1-1/8 1-3/16	72 2.8346	42.9 1.6890	20 0.7874	17.5 0.689	25.4 1.000	7 0.276	M8x1 5/16-24UNF	5.7 0.224	25700	15200	0.53
UCX07 X07-21 X07-22 X07-23	35 1-5/16 1-3/8 1-7/16	80 3.1496	49.2 1.9370	21 0.8268	19 0.748	30.2 1.189	8 0.315	M8x1 5/16-24UNF	6.2 0.244	29500	18100	0.7
UCX08 X08-24 X08-25	40 1-1/2 1-9/16	85 3.3465	49.2 1.9370	22 0.8661	19 0.748	30.2 1.189	8 0.315	M8x1 5/16-24UNF	6.4 0.252	32700	20900	0.77
UCX09 X09-26 X09-27 X09-28	45 1-5/8 1-11/16 1-3/4	90 3.5433	51.6 2.0315	24 0.9449	19 0.748	32.6 1.283	10 0.394	M10x1 3/8-24UNF	6.5 0.256	35000	23200	0.88
UCX10 X10-30 X10-31	50 1-7/8 1-15/16	100 3.9370	55.6 2.1890	25 0.9843	22.2 0.874	33.4 1.315	10 0.394	M10x1 3/8-24UNF	7.0 0.276	43300	29200	1.15
UCX11 X11-33 X11-34 X11-35	55 2-1/16 2-1/8 2-3/16	110 4.3307	65.1 2.5630	27 1.0630	25.4 1.000	39.7 1.563	10 0.394	M10x1 3/8-24UNF	7.6 0.299	47700	32800	1.55
UCX12 X12-38 X12-39	60 2-3/8 2-7/16	120 4.7244	65.1 2.5630	28 1.1024	25.4 1.000	39.7 1.563	10 0.394	M10x1 3/8-24UNF	8.5 0.335	57200	40000	1.93
UCX13 X13-40 X13-41	65 2-1/2 2-9/16	125 4.9213	74.6 2.9370	29 1.1417	30.2 1.189	44.4 1.748	12 0.472	M12x1.5 1/2-20UNF	8.9 0.350	62100	44800	2.08
UCX14 X14-42 X14-43 X14-44	70 2-5/8 2-11/16 2-3/4	130 5.1181	77.8 3.0630	30 1.1811	33.3 1.311	44.5 1.752	12 0.472	M12x1.5 1/2-20UNF	9.2 0.362	66200	49300	2.44
UCX15 X15-45 X15-46 X15-47 X15-48	75 2-13/16 2-7/8 2-15/16 3	140 5.5118	82.6 3.2520	32 1.2598	33.3 1.311	49.3 1.9409	12 0.472	M12x1.5 1/2-20UNF	9.5 0.374	72600	53300	2.9
UCX16 X16-49 X16-50 X16-51	80 3-1/16 3-1/8 3-3/16	150 5.9055	85.7 3.3740	34 1.3386	34.1 1.343	51.6 2.031	12 0.472	M12x1.5 1/2-20UNF	10.2 0.402	83300	63700	3.9
UCX17 X17-53 X17-55	85 3-5/16 3-7/16	160 6.2992	96 3.7795	36 1.4173	39.7 1.563	56.3 2.217	12 0.472	M12x1.5 1/2-20UNF	11.2 0.441	96000	71100	4.7
UCX18 X18-56	90 3-1/2	170 6.6929	104.0 4.0945	39 1.5354	42.9 1.689	61.1 2.406	16 0.630	M14x1.5 9/16-18UNF	12.5 0.492	109000	82000	5.66
UCX20 X20-64	100 4	190 7.4803	117.5 4.6260	43 1.6929	49.2 1.937	68.3 2.689	18 0.709	M16x1.5 5/8-18UNF	13.7 0.539	133000	105000	8.56

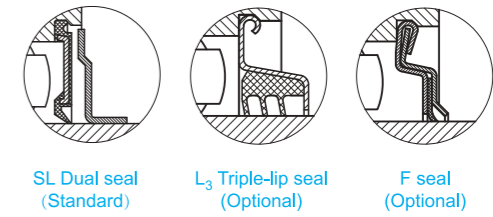
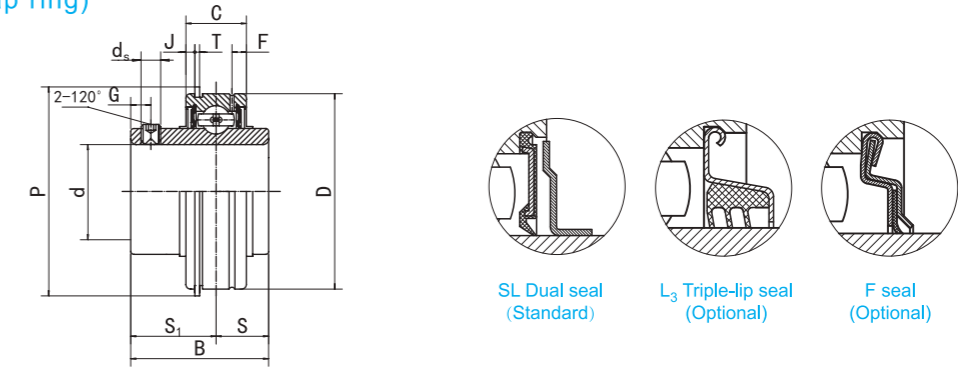
Ball Bearings
(with adapter mounted)



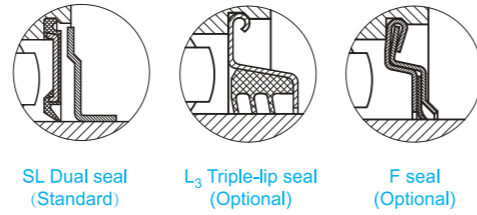
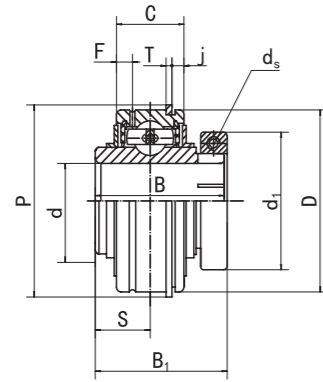
Bearing NO.	Dimensions (mm / in.)									Dynamic load ratings (N)	Static load ratings (N)	Weight (kg)
	d ₁	d	D	B	C	B ₁	B ₂	d ₂	F			
UKX05;H2305 X05;HE2305	20 3/4	25 0.9845	62 2.4409	26 1.0236	19 0.7480	35 1.378	8 0.315	38 1.496	5.0 0.197	19500	11300	0.37
UKX06;H2306 X06;HS2306 X06;HE2306	25 7/8 1	30 1.1811	72 2.8346	29 1.1417	20 0.7874	38 1.496	8 0.315	45 1.771	5.7 0.224	25700	15300	0.59
UKX07;H2307 X07;HS2307	30 1-1/8	35 1.3780	80 3.1496	31 1.2205	21 0.8268	43 1.693	9 0.354	52 2.047	6.2 0.244	29500	18100	0.75
UKX08;H2308 X08;HE2308 X08;HS2308	35 1-1/4 1-3/8	40 1.5748	85 3.3465	31 1.2205	22 8.661	46 1.811	10 0.394	58 2.284	6.4 0.252	31600	20600	0.86
UKX09;H2309 X09;HA2309 X09;HE2309 X09;HS2309	40 1-7/16 1/2 1-5/8	45 1.7717	90 3.5433	32 1.2598	24 0.9449	50 1.969	11 0.433	65 2.559	6.5 0.256	35000	23200	0.96
UKX10;H2310 X10;HS2310 X10;HA2310 X10;HE2310	45 1-5/8 1-11/16 1-3/4	50 1.9685	100 3.9370	35 1.3780	25 0.6843	55 2.165	12 0.472	70 2.756	7.0 0.726	43500	29200	1.34
UKX11;H2311 X11;HS2311 X11;HA2311 X11;HE2311	50 1-7/8 1-15/16 2	55 2.1654	110 4.3307	38 1.496	27 1.0630	59 2.323	12 0.472	75 2.953	7.6 0.299	47700	32900	1.67
UKX12;H2312 X12;HS2312	55 2-1/8	60 2.3622	120 4.7244	40 1.5748	28 1.1024	62 2.441	13 0.512	80 3.150	8.5 0.335	57500	40000	1.84
UKX13;H2313 X13;HA2313 X13;HE2313 X13;HS2313	60 2-3/16 2-1/4 2-3/8	65 2.5591	125 4.9213	40 1.5748	29 1.1417	65 2.559	14 0.551	85 3.346	8.9 0.350	60800	45000	2.15
UKX15;H2315 X15;HA2315 X15;HS2315	65 2-7/16 2-1/2	75 2.9528	140 5.5118	45 1.7717	32 1.2598	73 2.874	15 0.591	98 3.858	9.5 0.374	71500	54200	3.05
UKX16;H2316 X16;HA2316 X16;HS2316	70 2-11/16 2-3/4	80 3.1496	150 5.9055	46 1.811	34 1.3386	78 3.071	17 0.669	105 4.134	10.2 0.402	83500	64000	3.95
UKX17;H2317 X17;HA2317 X17;HE2317	75 2-15/16 3	85 3.3465	160 6.2992	47 1.8504	36 1.4173	82 3.228	18 0.709	110 4.331	11.2 0.441	96000	71500	4.83
UKX18;H2318 X18;HA2318	80 3-3/16	90 3.5433	170 6.6929	50 1.9685	39 1.5354	86 3.386	18 0.709	120 4.724	12.5 0.492	109000	82000	5.45
UKX20;H23X0 X20;HA23X0	90 3-17/32	100 3.9370	190 7.4803	54 2.126	43 1.6929	97 3.8189	20 0.7874	130 5.1181	13.7 0.539	133000	105000	7.51



Bearing NO.	Dimensions (mm / in.)									Dynamic load ratings (N)	Static load ratings (N)	Weight (kg)
	d ₁	d	D	B	C	B ₁	B ₂	d ₂	F			
UK305;H2305 305;HE2305	20 3/4	25 0.9843	62 2.4409	26 1.0236	20 0.7874	35 1.378	8 0.315	38 1.496	5.4 0.213	22400	11500	0.36
UK306;H2306 306;HS2306 306;HE2306	25 7/8 1	30 1.1811	72 2.8346	29 1.1417	23 0.9055	38 1.496	8 0.315	45 1.772	5.7 0.244	26500	14900	0.56
UK307;H2307 307;HS2307	30 1-1/8	35 1.3780	80 3.1496	33 1.2992	25 0.9843	43 1.693	9 0.354	52 2.047	6.2 0.244	33300	19100	0.72
UK308;H2308 308;HE2308 308;HS2308	35 1-1/4 1-3/8	40 1.5748	90 3.5433	34 1.3386	27 1.0630	46 1.811	10 0.394	58 2.283	7.0 0.276	40600	23700	0.99
UK309;H2309 309;HA2309 309;HE2309 309;HS2309	40 1-7/16 1/12 1-5/8	45 1.7717	100 3.9370	37 1.4567	30 1.1611	50 1.969	11 0.433	65 2.559	7.8 0.307	48600	28900	1.29
UK310;H2310 310;HS2310 310;HA2310 310;HE2310	45 1-5/8 1-11/16 1-3/4	50 1.9685	110 4.3307	41 1.6142	32 1.2598	55 2.165	12 0.472	70 2.756	8.5 0.335	62000	38000	1.71
UK311;H2311 311;HS2311 311;HA2311 311;HE2311	50 1-7/8 1-15/16 2	55 2.1654	120 4.7244	44 1.7323	34 1.3386	59 2.323	12 0.472	75 2.953	9.2 0.362	71600	44600	2.08
UK312;H2312 312;HS2312	55 2-1/8	60 2.3622	130 5.1181	47 1.8504	36 1.4173	62 2.441	13 0.512	80 3.150	9.8 0.386	81600	51800	2.88
UK313;H2313 313;HA2313 313;HE2313 313;HS2313	60 2-3/16 2-1/4 2-3/8	65 2.5591	140 5.5118	49 1.9291	38 1.4961	65 2.559	14 0.551	85 3.346	10.5 0.413	93700	60400	3.10
UK315;H2315 315;HA2315 315;HE2315	65 2-7/16 2-1/2	75 2.9528	160 6.2992	55 2.1654	42 1.6535	73 2.874	15 0.591	98 3.858	11.8 0.465	103600	67100	4.76
UK316;H2316 316;HA2316 316;HE2316	70 2-11/16 2-3/4	80 3.1496	170 6.6929	55 2.1654	44 1.7323	78 3.071	17 0.669	105 4.134	12.5 0.492	112800	75700	5.51
UK317;H2317 317;HA2317 317;HE2317	75 2-15/16 3	85 3.3465	180 7.0866	60 2.3622	46 1.8110	82 3.228	18 0.709	110 4.331	13.1 0.516	123500	88200	6.75
UK318;H2318 318;HA2318	80 3-3/16	90 3.5433	190 7.4803	63 2.48	48 1.8898	86 3.386	18 0.709	120 4.724	13.8 0.441	133000	97500	7.62
UK319;H2319 319;HA2319	85 3-5/16	95 3.7402	200 7.874	66 2.5984	50 1.9685	90 3.543	19 0.748	125 4.921	14.7 0.579	144700	110600	9.23
UK320;H2320 320;HA2320	90 3-7/16	100 3.9370	215 8.4646	68 2.6771	54 2.126	97 3.814	20 0.787	130 5.1181	15.7 0.618	173000	141000	10.85
UK322;H2322 322;HA2322	100 3-15/16	110 4.3307	240 9.4488	78 3.0709	60 2.3622	105 4.134	21 0.827	145 5.709	17.7 0.697	205000	179000	14.94
UK324;H2324 324;HA2324	110 4-3/16	120 4.7244	260 10.2362	87 3.4252	64 2.5197	112 4.41	22 0.866	155 6.102	19 0.748	227000	207000	19.29
UK326;H2326 326;HA2326	115 4-7/16	130 5.1181	280 11.0236	87 3.4252	68 2.6771	121 4.764	23 0.908	165 6.496	20 0.787	253000	241000	23.40
UK328;H2328 328;HA2328	125 4-15/16	140 5.5118	300 11.811	97 3.8189	72 2.8189	131 5.158	24 0.945	180 7.087	22 0.866	274000	272000	29.45

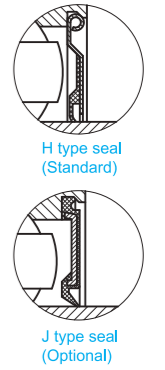
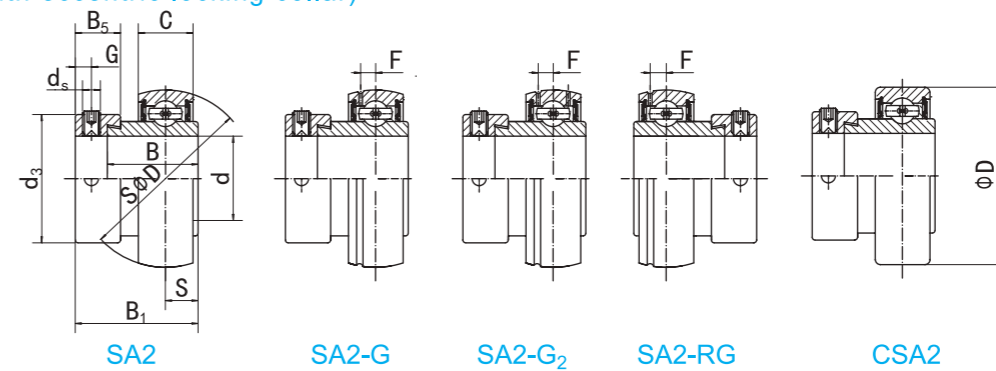


Bearing NO.	Dimensions (mm / in.)												Dynamic load ratings (N)	Static load ratings (N)	Weight (kg)		
	d	D	B	C	S	S ₁	T	F	J	P	G	d _s					
SER201 201-8	12 1/2	47	31	15.9	10.3	20.7	1.12	3.8	2.46	52.7	4.8	M6x1	12800	6600	0.22		
SER202 202-10	15 5/8	1.8504	1.2205	0.6260	0.406	0.815	0.044	0.150	0.097	2.075	0.189	1/4-28UNF			0.22		
SER203	17														0.22		
SER204 204-12	20 3/4	47	31	15.9	10.3	20.7	1.12	3.8	2.46	52.7	4.8	M6x1	12800	6600	0.17		
SER205 205-13 205-14 205-15 205-16	25 13/16 7/8 15/16 1	52	34.9	19	13.1	21.8	1.12	5.2	2.46	57.9	5	M6x1			14000	7850	0.21
SER206 206-17 206-18 206-19 206-20	30 1-1/16 1-1/8 1-3/16 1-1/4	62	38.1	22.2	15.9	22.2	1.7	5.6	3.28	67.7	5	M6x1	19450	11250	0.33		
SER207 207-20 207-21 207-22 207-23	35 1-1/4 1-5/16 1-3/8 1-7/16	72	42.9	23.8	17.5	25.4	1.7	5.6	3.28	78.6	6.7	M8x1			25700	15200	0.50
SER208 208-24 208-25	40 1-1/2 1-9/16	80	49.2	27.8	19	30.2	1.7	6.4	3.28	86.6	8	M8x1			29500	18100	0.70
SER209 209-26 209-27 209-28	45 1-5/8 1-11/16 1-3/4	85	49.2	27.8	19	30.2	1.7	6.4	3.28	91.6	8	M8x1			32700	20900	0.72
SER210 210-29 210-30 210-31 210-32	50 1-13/16 1-7/8 1-15/16 2	90	51.6	28.6	19	32.6	2.46	7.5	3.28	96.5	10	M10x1	35000	23200	0.83		
SER211 211-32 211-33 211-34 211-35	55 2 2-1/16 2-1/8 2-3/16	100	55.6	30.2	22.2	33.4	2.46	7.5	3.28	106.5	10	M10x1			43300	29200	1.10
SER212 212-36 212-37 212-38 212-39	60 2-1/4 2-5/16 2-3/8 2-7/16	110	65.1	31.8	25.4	39.7	2.46	7.5	3.28	116.6	10	M10x1			47700	32800	1.53



Bearing NO.	Dimensions (mm / in.)									Dynamic load ratings (N)	Static load ratings (N)	Weight (kg)							
	d	d ₁	D	B	B ₁	C	S	d _s	F										
ERC204	20	44.5	47	31.0	32.5	17	12.7	M4X0.7	3.8	12800	66000	0.30							
204-12	3/4	1.752	1.850	1.221	1.280	0.669	0.500	8-32UNC	0.150										
ERC205	25	49.2	52	34.9	37.3	17	14.3	M4X0.7	5.2	14000	78500	0.42							
205-13	13/16	1.937	2.047	1.374	1.469	0.669	0.563	8-32UNC	0.205										
205-14	7/8																		
205-15	15/16																		
205-16	1																		
ERC206	30									55.6	62	38.1	39.7	19	15.9	M4X0.7	5.6	19450	11250
206-17	1-1/16	2.189	2.441	1.500	1.563	0.748	0.626	8-32UNC	0.220										
206-18	1-1/8																		
206-19	1-3/16																		
206-20	1-1/4																		
ERC207	35									65.1	72	42.9	44.5	20	17.5	M5X0.8	5.6	25700	15200
207-20	1-1/4	2.437	2.835	1.689	1.752	0.787	0.689	10-24UNC	0.220										
207-22	1-3/8	2.563																	
207-23	1-7/16																		
ERC208	40	68.3	80	49.2	50.8	21	19.0	M5X0.8	6.4	29500	18100	1.10							
208-24	1-1/2	2.689	3.150	1.937	1.976	0.827	0.748	10-24UNC	0.252										
ERC209	45	74.6	85	49.2	50.2	22	19.0	M5X0.8	6.4	32700	20900	1.11							
209-26	1-5/8	2.811	3.347	1.937	1.976	0.866	0.748	10-24UNC	0.252										
209-27	1-11/16	2.937																	
209-28	1-3/4																		
ERC210	50									85.7	90	51.6	53.1	24	19.0	M6X1	7.5	35000	23200
210-31	1-15/16	3.374	3.543	2.031	2.091	0.945	0.748	1/4-20UNC	0.295										
210-32	2																		
ERC211	55	92.1								100	55.6	57.1	25	22.2	M6X1	7.5	43500		
211-32	2	3.500								3.937	2.189	2.248	0.984	0.874	1/4-20UNC	0.295			
211-35	2-3/16	3.626																	
ERC212	55	104.8	110	65.1	66.7	27	25.4	M8X1.25	7.5								47700	32900	2.34
212-36	2-1/4	4.063	4.331	2.563	2.626	1.063	1.000	5/16-18UNC	0.295										
212-39	2-7/16	4.126																	

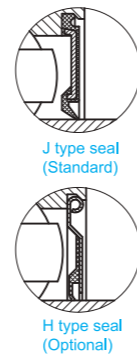
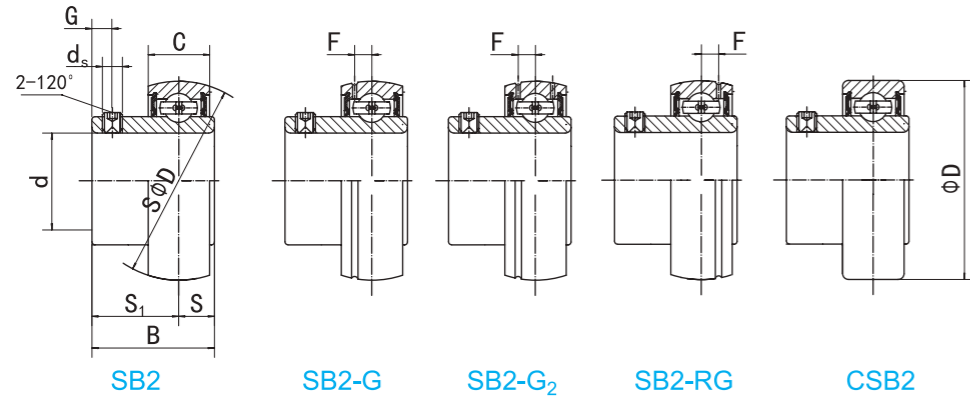
Ball Bearings (with eccentric locking collar)



Bearing NO.	Dimensions (mm / in.)											Dynamic load ratings (N)	Static load ratings (N)	Weight (kg)
	d	D	B	B ₁	C	S	d _s	G	F	B ₅	d ₃			
SA201	12	40	28.6	19.1	12	6.5	M6X1	4.8	3.4	13.5	28.6	9600	4600	0.12
201-8	1/2	1.5748	1.1260	0.7520	0.4724	0.256	1/4-28UNF	0.189	0.134	0.531	1.126			
SA202	15	40	28.6	19.1	12	6.5	M6X1	4.8	3.4	13.5	28.6	9600	4600	0.10
202-9	9/16	1.5748	1.1260	0.7520	0.4724	0.256	1/4-28UNF	0.189	0.134	0.531	1.126			
202-10	5/8													
SA203	17	40	28.6	19.1	12	6.5	M6X1	4.8	3.4	13.5	28.6	9600	4600	0.09
203-11	11/16	1.5748	1.1260	0.7520	0.4724	0.256	1/4-28UNF	0.189	0.134	0.531	1.126			
SA204	20	47	31.0	21.5	14	7.5	M6X1	4.8	4.2	13.5	33.3	12800	6600	0.16
204-12	3/4	1.8504	1.2200	0.8465	0.5512	0.295	1/4-28UNF	0.189	0.165	0.531	1.311			
SA205	25	52	31	21.5	15	7.5	M6X1	4.8	4.3	13.5	38.1	14000	7850	0.20
205-13	13/16	2.0472	1.2200	0.8465	0.5906	0.295	1/4-28UNF	0.189	0.169	0.531	1.5			
205-14	7/8													
205-15	15/16													
205-16	1													
SA206	30											62	35.7	23.8
206-17	1-1/16	2.4409	1.4060	0.9370	0.6299	0.354	5/16-24UNF	0.236	0.197	0.626	1.752			
206-18	1-1/8													
206-19	1-3/16													
206-20	1-1/4													
SA207	35											72	38.9	25.4
207-20	1-1/4	2.8346	1.5310	1.0000	0.6693	0.374	5/16-24UNF	0.268	0.220	0.689	2.189			
207-21	1-5/16													
207-22	1-3/8													
207-23	1-7/16													
SA208	40											80	43.7	30.2
208-24	1-1/2	3.1496	1.7210	1.1890	0.7087	0.433	5/16-24UNF	0.268	0.232	0.720	2.374			
208-24	1-9/16													
SA209	45											85	43.7	30.2
209-26	1-5/8	3.3465	1.7210	1.1890	0.7480	0.433	5/16-24UNF	0.268	0.240	0.720	2.500			
209-27	1-11/16													
209-28	1-3/4													
SA210	50											90	43.7	30.2
210-29	1-13/16	3.5433	1.7210	1.1890	0.7874	0.433	5/16-24UNF	0.268	0.256	0.720	2.752			
210-30	1-7/8													
210-31	1-15/16													
210-32	2													
SA211	55											100	48.4	32.5
211-32	2	3.9370	1.9060	1.2795	0.8268	0.472	3/8-24UNF	0.315	0.276	0.815	3.000			
211-33	2-1/16													
211-34	2-1/8													
211-35	2-3/16													
SA212	60											110	53.1	37.2
212-36	2-1/4	4.3307	2.0910	1.4646	0.8661	0.532	3/8-24UNF	0.315	0.291	0.878	3.315			
212-37	2-5/16													
212-38	2-3/8													
212-39	2-7/16													

SB2 (Light-duty)

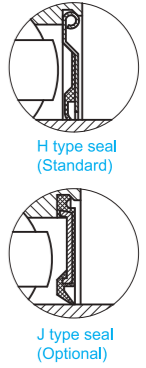
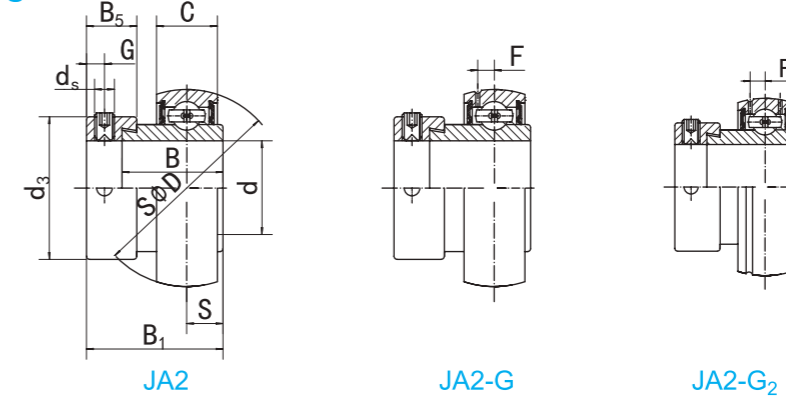
Ball Bearings



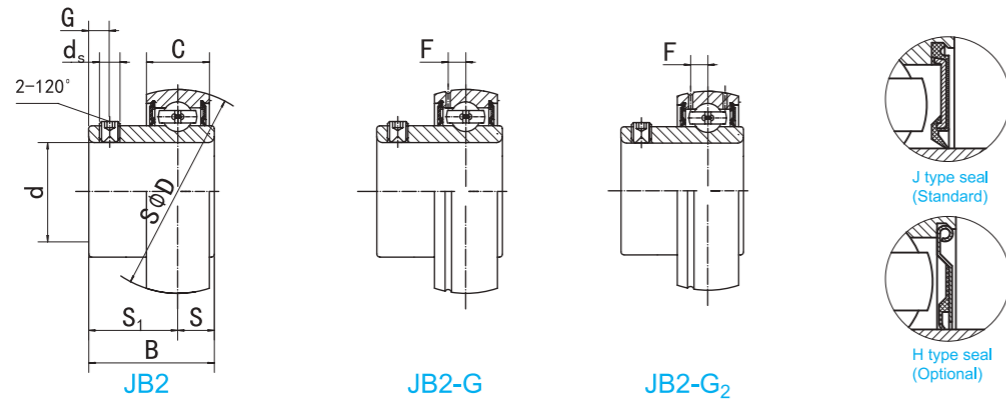
Bearing NO.	Dimensions (mm / in.)										Dynamic load ratings (N)	Static load ratings (N)	Weight (kg)
	d	D	B	C	S	S ₁	d _s	F	G				
SB201 201-8	12 1/2	40 1.5748	22.0 0.8661	12 0.4724	6.0 0.236	16.0 0.630	M5X0.8 10-32UNF	3.4 0.134	4.5 0.177	9600	4600	0.10 0.10	
SB202 202-9 202-10	15 9/16 5/8	40 1.5748	22 0.8661	12 0.4724	6.0 0.236	16.0 0.630	M5X0.8 10-32UNF	3.4 0.134	4.5 0.177	9600	4600	0.10 0.10 0.10	
SB203 203-11	17 11/16	40 1.5748	22.0 0.8661	12 0.4724	6.0 0.236	16.0 0.630	M5X0.8 10-32UNF	3.4 0.134	4.5 0.177	9600	4600	0.09 0.09	
SB204 204-12	20 3/4	47 1.8504	25.0 0.9843	14 0.5512	7.0 0.276	18.0 0.709	M6X1 1/4-28UNF	4.2 0.165	4.5 0.177	12800	6600	0.13 0.14	
SB205 205-13 205-14 205-15 205-16	25 13/16 7/8 15/16 1	52 2.0472	27 1.063	15 0.5906	7.5 0.295	19.5 0.768	M6X1 1/4-28UNF	4.3 0.169	5.5 0.217	14000	7850	0.16 0.19 0.18 0.17 0.16	
SB206 206-17 206-18 206-19 206-20	30 1-1/16 1-1/8 1-3/16 1-1/4	62 2.4409	30 1.1811	16 0.6299	8.0 0.315	22.0 0.866	M6X1 1/4-28UNF	5 0.197	6 0.236	19450	11250	0.25 0.28 0.26 0.25 0.24	
SB207 207-20 207-21 207-22 207-23	35 1-1/4 1-5/16 1-3/8 1-7/16	72 2.8346	32 1.2598	17 0.6693	8.5 0.335	23.5 0.925	M8X1 5/16-24UNF	5.6 0.220	6.5 0.256	25700	15200	0.36 0.41 0.39 0.36 0.35	
SB208 208-24 208-25	40 1-1/2 1-9/16	80 3.1496	34 1.3386	18 0.7087	9.0 0.354	25.0 0.984	M8X1 5/16-24UNF	5.9 0.232	7 0.276	29500	18100	0.45 0.43 0.45	
SB209 209-26 209-27 209-28	45 1-5/8 1-11/16 1-3/4	85 3.3465	41.2 1.622	19 0.748	10.2 0.402	31.0 1.22	M8X1 5/16-24UNF	6.1 0.240	8.2 0.323	32700	20900	0.54	
SB210 210-29 210-30 210-31 210-32	50 1-13/16 1-7/8 1-15/16 2	90 3.5433	43.5 1.7126	20 0.7874	10.9 0.429	32.6 1.283	M10X1 3/8-24UNF	6.5 0.256	9.2 0.362	35000	23200	0.62	
SB211 211-32 211-33 211-34 211-35	55 2 2-1/16 2-1/8 2-3/16	100 3.937	45.3 1.7835	21 0.8268	11.8 0.465	33.5 1.319	M10X1 3/8-24UNF	7 0.276	9.8 0.386	43300	29200	0.81	
SB212 212-36 212-37 212-38 212-39	60 2-1/4 2-5/16 2-3/8 2-7/16	110 4.3307	53.7 2.1142	22 0.8661	14.9 0.587	38.8 1.528	M10X1 3/8-24UNF	7.4 0.291	9.8 0.386	47700	32800	1.14	

Ball Bearings

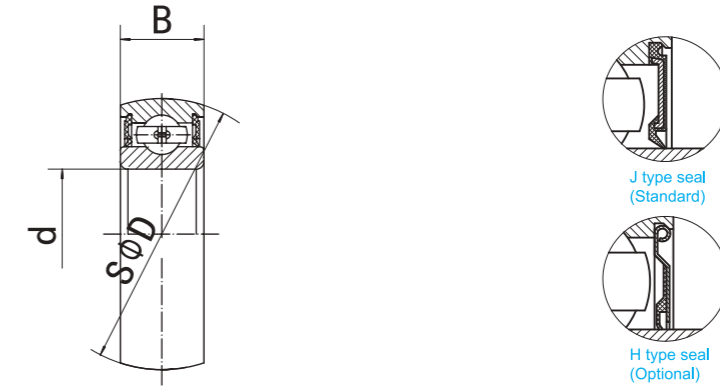
JA2 (Light-duty)



Bearing NO.	Dimensions (mm / in.)											Dynamic load ratings (N)	Static load ratings (N)	Weight (kg)
	d	D	B ₁	B	C	S	d _s	G	F	B ₅	d ₃			
JA201 201-8	12 1/2	40 1.5748	28.6 1.126	19.1 0.752	13 0.5118	6.5 0.256	M6X1 1/4-28UNF	4.8 0.189	3.4 0.134	13.5 0.531	28.6 1.126	9600	4600	0.13 0.13
JA202 202-9 202-10	15 9/16 5/8	40 1.5748	28.6 1.126	19.1 0.752	13 0.5118	6.5 0.256	M6X1 1/4-28UNF	4.8 0.189	3.4 0.134	13.5 0.531	28.6 1.126	9600	4600	0.11 0.11 0.11
JA203 203-11	17 11/16	40 1.5748	28.6 1.126	19.1 0.752	13 0.5118	6.5 0.256	M6X1 1/4-28UNF	4.8 0.189	3.4 0.134	13.5 0.531	28.6 1.126	9600	4600	0.10 0.10
JA204 204-12	20 3/4	47 1.8504	31.0 1.22	21.5 0.8465	15 0.5906	7.5 0.295	M6X1 1/4-28UNF	4.8 0.189	4.2 0.165	13.5 0.531	33.3 1.311	12800	6650	0.16 0.16
JA205 205-13 205-14 205-15 205-16	25 13/16 7/8 15/16 1	52 2.0472	31.0 1.22	21.5 0.8465	15 0.5906	7.5 0.295	M6X1 1/4-28UNF	4.8 0.189	4.3 0.169	13.5 0.531	38.1 1.5	14000	7850	0.20 0.22 0.21 0.21 0.20
JA206 206-17 206-18 206-19 206-20	30 1-1/16 1-1/8 1-3/16 1-1/4	62 2.4409	35.7 1.4060	23.8 0.937	18 0.7087	9.0 0.354	M8X1 5/16-24UNF	6.0 0.236	5 0.197	15.9 0.626	44.5 1.752	19500	11300	0.31 0.33 0.32 0.31 0.30
JA207 207-20 207-21 207-22 207-23	35 1-1/4 1-5/16 1-3/8 1-7/16	72 2.8346	38.9 1.5310	25.4 1	19 0.748	9.5 0.374	M8X1 5/16-24UNF	6.8 0.268	5.6 0.220	17.5 0.689	55.6 2.189	25700	15300	0.43 0.47 0.44 0.43 0.42
JA208 208-24 208-25	40 1-1/2 1-9/16	80 3.1496	43.7 1.7210	30.2 1.189	22 0.8661	11.0 0.433	M8X1 5/16-24UNF	6.8 0.268	5.9 0.232	18.3 0.72	60.3 2.374	29500	18100	0.62 0.60 0.62
JA209 209-26 209-27 209-28	45 1-5/8 1-11/16 1-3/4	85 3.3465	43.7 1.7210	30.2 1.189	22 0.8661	11.0 0.433	M8X1 5/16-24UNF	6.8 0.268	6.1 0.240	18.3 0.72	63.5 2.5	31600	20600	0.66
JA210 210-29 210-30 210-31 210-32	50 1-13/16 1-7/8 1-15/16 2	90 3.5433	43.7 1.721	30.2 1.189	22 0.8661	11.0 0.433	M8X1 5/16-24UNF	6.8 0.268	6.5 0.256	18.3 0.72	69.9 2.752	35000	23200	0.75
JA211 211-32 211-33 211-34 211-35	55 2 2-1/16 2-1/8 2-3/16	100 3.937	48.4 1.906	32.5 1.2795	24 0.9449	12.0 0.472	M10X1 3/8-24UNF	8.0 0.315	7 0.276	20.7 0.815	76.2 3	43500	29200	1.03
JA212 212-36 212-37 212-38 212-39	60 2-1/4 2-5/16 2-3/8 2-7/16	110 4.3307	53.1 2.091	37.2 1.4646	27 1.063	13.5 0.532	M10X1 3/8-24UNF	8.0 0.315	7.4 0.291	22.3 0.878	84.2 3.315	47700	32900	1.37

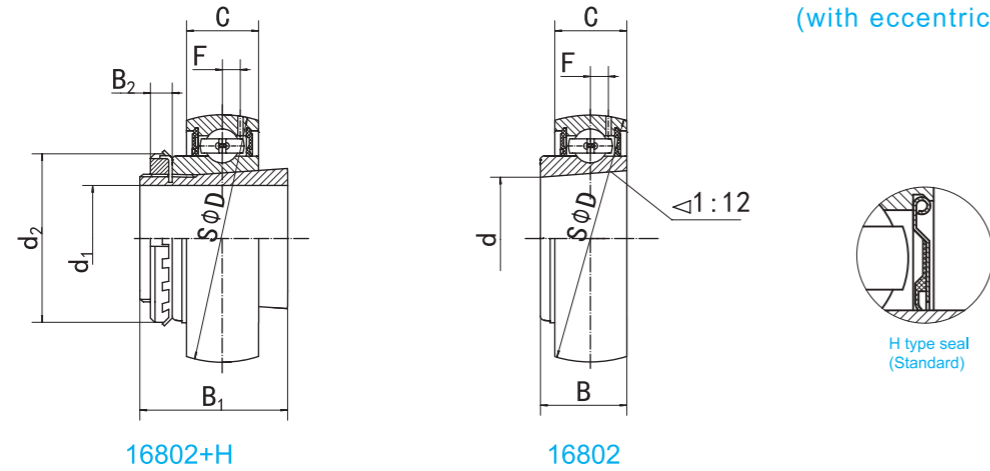


Bearing NO.	Dimensions (mm / in.)									Dynamic load ratings (N)	Static load ratings (N)	Weight (kg)
	d	D	B	C	S	S ₁	d _s	F	G			
JB201 201-8	12 1/2	40 1.5748	22.5 0.8858	13 0.5118	6.5 0.256	16 0.63	M5X0.8 10-32UNF	3.4 0.134	4.5 0.177	9600	4600	0.11
JB202 202-9 202-10	15 9/16 5/8	40 1.5748	22.5 0.8858	13 0.5118	6.5 0.256	16 0.63	M5X0.8 10-32UNF	3.4 0.134	4.5 0.177			9600
JB203 203-11	17 11/16	40 1.5748	22.5 0.8858	13 0.5118	6.5 0.256	16 0.63	M5X0.8 10-32UNF	3.4 0.134	4.5 0.177	9600	4600	0.10 0.10
JB204 204-12	20 3/4	47 1.8504	25.5 1.0039	15 0.5906	7.5 0.295	18 0.709	M6X1 1/4-28UNF	4.2 0.165	4.5 0.177	12800	6650	0.14 0.15
JB205 205-13 205-14 205-15 205-16	25 13/16 7/8 15/16 1	52 2.0472	27.0 1.063	15 0.5906	7.5 0.295	19.5 0.768	M6X1 1/4-28UNF	4.3 0.169	5.5 0.217	14000	7850	0.16 0.19 0.18 0.17 0.16
JB206 206-17 206-18 206-19 206-20	30 1-1/16 1-1/8 1-3/16 1-1/4	62 2.4409	30.0 1.1811	18 0.7087	9.0 0.354	21 0.827	M6X1 1/4-28UNF	5 0.197	6.0 0.236			19500
JB207 207-20 207-21 207-22 207-23	35 1-1/4 1-5/16 1-3/8 1-7/16	72 2.8346	35.0 1.378	19 0.748	9.5 0.374	25.5 1.004	M8X1 5/16-24UNF	5.6 0.220	6.5 0.256	25700	15300	0.37 0.42 0.40 0.37 0.36
JB208 208-24 208-25	40 1-1/2 1-9/16	80 3.1496	40.0 1.5748	22 0.8661	11.0 0.433	29 1.142	M8X1 5/16-24UNF	5.9 0.232	7.0 0.276			29500
JB209 209-26 209-27 209-28	45 1-5/8 1-11/16 1-3/4	85 3.3465	41.5 1.6339	22 0.8661	11.0 0.433	30.5 1.201	M8X1 5/16-24UNF	6.1 0.240	8.2 0.323	31600	20600	0.55
JB210 210-29 210-30 210-31 210-32	50 1-13/16 1-7/8 1-15/16	90 3.5433	43.0 1.6929	22 0.8661	11.0 0.433	32 1.26	M10X1 3/8-24UNF	6.5 0.256	9.2 0.362			35000



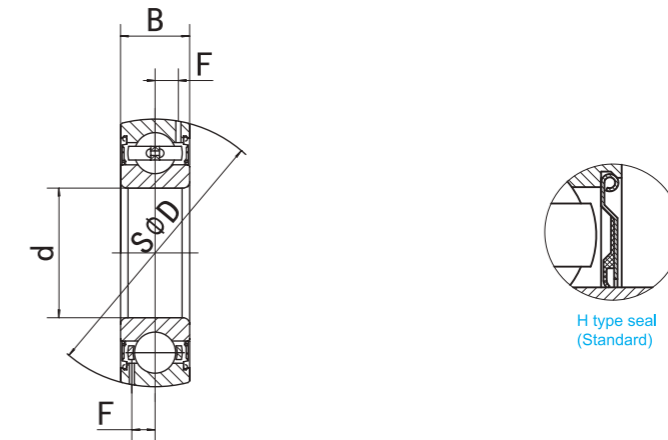
Bearing NO.	Dimensions (mm / in.)			Dynamic load ratings (N)	Static load ratings (N)	Weight (kg)
	d	D	B			
CS200	10 0.3937	30 1.1811	9 0.3543	5100	2230	0.031
CS201	12 0.4724	32 1.2598	10 0.3937	6800	3050	0.033
CS202	15 0.5906	35.0 1.3780	11 0.4331	7600	3490	0.043
CS203	17 0.6693	40 1.5748	12 0.4724	9600	4600	0.061
CS204	20 0.7874	47 1.8504	14 0.5512	12800	6600	0.098
CS205	25 0.9843	52 2.0472	15 0.5906	1400	7850	0.122
CS206	30 1.1811	62 2.4409	16 0.6299	19400	11250	0.195
CS207	35 1.3780	72 2.8346	17 0.6693	25700	15300	0.280
CS208	40 1.5748	80 3.1496	18 0.7087	29500	18100	0.358
CS209	45 1.7717	85 3.3465	19 0.7480	32700	20900	0.405
CS210	50 1.9685	90 3.5433	20 0.7874	3500	23200	0.449
CS211	55 2.1654	100 3.9370	21 0.8268	43300	29200	0.589
CS212	60 2.3622	110 4.3307	22 0.8661	47700	32800	0.774
CS302	15 0.5906	42 1.6535	13 0.5118	11440	5430	0.076
CS303	17 0.6693	47 1.8504	14 0.5512	13585	6560	0.105
CS304	20 0.7874	52 2.0472	15 0.5906	15938	7810	0.137
CS305	25 0.9843	62 2.4409	17 0.6693	22400	11500	0.211
CS306	30 1.1811	72 2.8346	19 0.7480	26500	14900	0.338
CS307	35 1.3780	80 3.1496	21 0.8268	33300	19100	0.439
CS308	40 1.5748	90 3.5433	23 0.9055	40600	23700	0.618
CS309	45 1.7717	100 3.9370	25 0.9843	48600	28900	0.810
CS310	50 1.9685	110 4.3307	27 1.0630	6200	3800	1.048
CS311	55 2.1654	120 4.7244	29 1.1417	71600	44600	1.326
CS312	60 2.3622	130 5.1181	31 1.2205	81600	51800	1.659

Ball Bearings
(with eccentric locking collar)

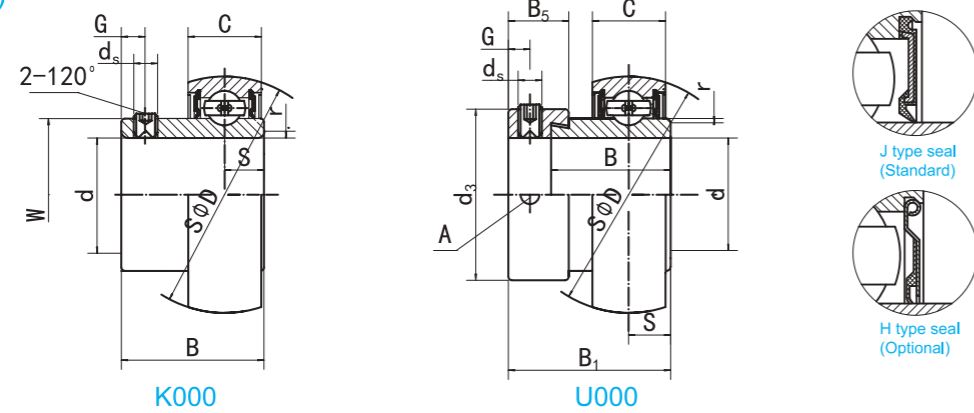


Bearing NO.	Dimensions (mm / in.)									Dynamic load ratings (N)	Static load ratings (N)	Weight (kg)
	d ₁	d	D	B	C	B ₁	B ₂	d ₂	F			
1680204;H305	20	25	52	18	16	29	8	38	3.7	14000	7900	0.20
1680204;HE305	3/4	0.9843	2.0472	0.7087	0.6299	1.1417	0.315	1.496	0.146			
1680204;HA305	11/16											
1680205;H306	25	30	62	20	18	31	8	45	5.0	19400	11200	0.315
1680205;HE306	1											
1680205;HA306	15/16	1.1811	2.4409	0.7874	0.7087	1.2205	0.315	1.772	0.197			
1680205;HS306	7/8											
1680206;H307	30	35	72	22	20	35	9	52	5.7	25700	15200	0.47
1680206;HA307	1-3/16	1.3780	2.8346	0.8661	0.7874	1.3779	0.354	2.047	0.224			
1680206;HS307	1-1/8											
1680207;H308	35	40	80	23	21	36	10	58	5.9	29500	18100	0.59
1680207;HE308	1-1/4											
1680207;HA308	1-5/16	1.5748	3.1496	0.9055	0.8268	1.417	0.394	2.283	0.2323			
1680207;HS308	1-3/8											
1680208;H309	40	45	85	23	21	39	11	65	6.4	32700	20900	0.66
1680208;HE309	1-1/2	1.7717	3.3465	0.9055	0.8268	1.5354	0.433	2.559	0.252			
1680208;HA309	1-7/16											

ORAE
(SB2-Fitted)



Bearing NO.	Dimensions (mm / in.)				Dynamic load ratings (N)	Static load ratings (N)	Weight (kg)
	d	D	B	F			
ORAE30NPPB	30	62	18	5.0	19400	11200	0.20
	1.1811	2.4409	0.7087	0.1970			
ORAE40NPPB	40	80	22	6.2	29500	18100	0.37
	1.5740	3.1490	0.8660	0.2440			



Bearing NO.	Dimensions (mm / in.)								Dynamic load ratings (N)	Static load ratings (N)	Weight (kg)
	d	D	B	C	r	S	G	ds			
K000 SS-K000	10	26 1.0236	14 0.551	8 0.315	0.5	4.0 0.157	3.0 0.118	M3X0.35	4606	1906	0.02
K001 SS-K001	12	28 1.1024	14.5 0.571	8 0.315		4.0 0.157	3.0 0.118	M3X0.35	5096	2401	0.03
K002 SS-K002	15	32 1.2598	16.5 0.65	9 0.354		4.5 0.177	3.5 0.138	M4X0.5	5586	2842	0.05
K003 SS-K003	17	35 1.3779	17.5 0.689	10 0.394		5.0 0.197	3.5 0.138	M4X0.5	5978	3284	0.05
K004 SS-K004	20	42 1.6535	21 0.827	12 0.472	1.0	6.0 0.236	4.0 0.157	M5X0.5	9359	5047	0.09
K005 SS-K005	25	47 1.8504	22.5 0.886	12 0.472	1.0	6.0 0.236	4.5 0.177	M5X0.5	10094	5831	0.10
K006 SS-K006	30	55 2.1653	24.5 0.965	13 0.512	1.5	6.5 0.256	5.0 0.197	M5X0.5	13230	8281	0.15

Bearing NO.	Dimensions (mm / in.)											Dynamic load ratings (N)	Static load ratings (N)	Weight (kg)
	d	D	B1	B	C	r	S	B5	d3	A	ds			
U000 SS-U000	10	26 1.0236	17.5 0.6890	11.0 0.4330	8.0 0.3150	0.5	4.0 0.157	8.5 0.335	17.0 0.669	3.5 0.138	M4X0.7	4606	1906	0.03
U001 SS-U001	12	28 1.1024	17.5 0.6890	11.0 0.4330	8.0 0.3150		4.0 0.157	8.5 0.335	19.0 0.748	3.5 0.138		5096	2401	0.04
U002 SS-U002	15	32 1.2598	18.5 0.7280	12.0 0.4720	9.0 0.3540		4.5 0.177	8.5 0.335	22.0 0.866	3.5 0.138		5586	2842	0.05
U003 SS-U003	17	35 1.3779	20.5 0.8070	13.5 0.5310	10.0 0.3940		5.0 0.197	9.5 0.374	25.0 0.984	3.5 0.138		5978	3284	0.06
U004 SS-U004	20	42 1.6535	24.5 0.9640	16.5 0.6500	12.0 0.4720	1.0	6.0 0.236	11.0 0.433	30.0 1.181	5.0 0.197	M5X0.8	9359	5047	0.10
U005 SS-U005	25	47 1.8504	25.5 1.0040	17.5 0.6890	12.0 0.4720		6.0 0.236	12.0 0.472	36.0 1.417	5.0 0.197		10094	5831	0.14
U006 SS-U006	30	55 2.1653	26.5 1.0430	18.5 0.7280	13.0 0.5120		6.5 0.256	12.0 0.472	42.0 1.653	5.0 0.197		13230	8281	0.19
U007 SS-U007	35	62 2.4400	29.5 1.1610	20.0 0.7870	14.0 0.5510	1.5	7.0 0.276	13.5 0.531	48.0 1.889	5.0 0.197	M6X0.75	15920	10290	0.25

Stainless Steel Bearing Units

FK100% stainless steel units are manufactured from select grade of stainless steel which has been carefully inspected to meet the asked for:

- Optimal corrosion resistance
- Bearing life is excellent, it is not limited to the life of the coating and/or nickel plating.
- Scratches and mars have absolutely no effect on the bearing's ability to resist rust and corrosion
- Excellent for use in food processing, beverage, curative, and other high-corrosive application.

Material

Description	Material
Inner & Outer rings	9Cr18 (440C)
Balls	9Cr18 (440C)
Cage	0Cr18Ni9 (AISI304)
Lubrication	Food grease
Seal	Silicon rubber
Slinger	0Cr18Ni9 (AISI304)
Set Screw	0Cr18Ni9 (AISI304)
Housing	0Cr18Ni9 (AISI304)
Grease Nipple	0Cr18Ni9 (AISI304)
End-cover	0Cr18Ni9 (AISI304)
Range of operating temperature	-20°C~120°C

Type & Dimensions

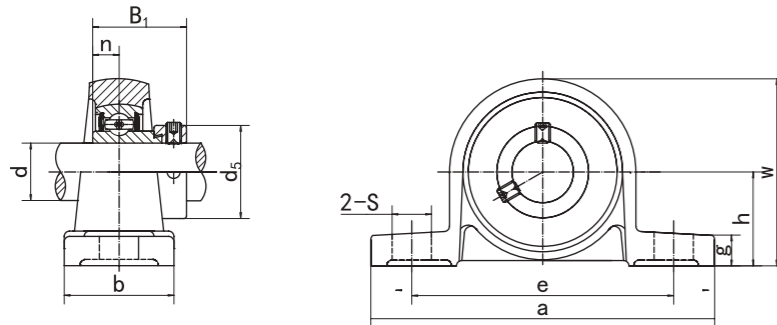
Description	Interchange
SS-UC2 Series	Page No. 126
SS-HC2 Series	Page No. 127
SS-SER2 Series	Page No. 135
SS-SA2 Series	Page No. 137
SS-SB2 Series	Page No. 138
SS-CS2 Series	Page No. 141
SS-K000, SS-U000 Series	Page No. 144
SS-UCP2 Series	Page No. 33
SS-UCF2 Series	Page No. 49
SS-UCFC2 Series	Page No. 61
SS-UCFL2 Series	Page No. 70
SS-UCT2 Series	Page No. 83
SS-UCPA2 Series	Page No. 99
SS-UCFB2 Series	Page No. 105
SS-UCHA2 Series	Page No. 106
SS-UP000, KP000 Series	Page No. 146
SS-UFL000, KFL000 Series	Page No. 147

Silever Series

- Rustproff housings made with a special alloy
- Bearings are high carbon chromium bearing steel

UP000 type*

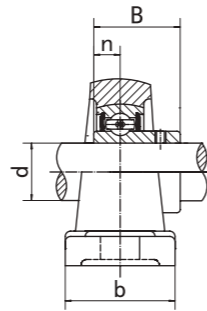
Pillow Blocks
With eccentric locking collar



UP000

KP000 type*

Pillow Blocks
With set screw locking



KP000

Unit NO.	Dimensions (mm / in.)											Bolt Size mm/in.	Bearing No.	Housing No.	Weight (kg)
	d	h	a	e	b	S	g	w	B ₁	n	d ₅				
UP000	10	18.0 23/32	67.0 2-41/64	53.0 2-3/32	16.0 5/8	7.0 9/32	6.0 15/64	35.0 1-3/8	17.5 0.689	4.0 0.157	17.0 43/64	M6	U000	P000	0.08
UP001	12	19.0 3/4	71.0 2-51/64	56.0 2-13/64	16.0 5/8	7.0 9/32	6.0 15/64	38.0 1-1/2	17.5 0.689	4.0 0.157	19.0 3/4				
UP002	15	22.0 7/8	80.0 3-5/32	63.0 2-31/64	16.0 5/8	7.0 9/32	7.0 9/32	43.0 1-11/16	18.5 0.728	4.5 0.177	22.0 65/64				
UP003	17	24.0 15/16	85.0 3-11/32	67.0 2-41/64	18.0 23/32	7.0 9/32	7.0 9/32	47.0 1-27/32	20.5 0.807	5.0 0.197	25.0 31/32				
UP004	20	28.0 1-3/32	100.0 3-15/16	80.0 3-5/32	20.0 25/32	9.0 23/64	9.0 23/64	55.0 2-11/64	24.5 0.965	6.0 0.236	30.0 1-3/16				
UP005	25	32.0 1-17/64	112.0 4-13/32	90.0 3-35/64	20.0 25/32	10.0 25/64	10.0 25/64	62.0 2-7/16	25.5 1.000	6.5 0.256	36.0 1-27/64				
UP006	30	36.0 5-13/64	132.0 5-13/64	106.0 4-11/64	26.0 1-1/32	13.0 33/64	11.0 7/16	70.0 2-3/4	26.5 1.040	6.5 0.256	42.0 1-21/32	M10	U006	P06-7	0.45

Unit NO.	Dimensions (mm / in.)											Bolt Size mm/in.	Bearing No.	Housing No.	Weight (kg)
	d	h	a	e	b	S	g	w	B	n					
KP000	10	18.0 23/32	67.0 2-41/64	53.0 2-3/32	16.0 5/8	7.0 9/32	6.0 15/64	35.0 1-3/8	14.0 0.551	4.0 0.157		M6	K000	P000	0.07
KP001	12	19.0 3/4	71.0 2-51/64	56.0 2-13/64	16.0 5/8	7.0 9/32	6.0 15/64	38.0 1-1/2	14.5 0.571	4.0 0.157					
KP002	15	22.0 7/8	80.0 3-5/32	63.0 2-31/64	16.0 5/8	7.0 9/32	7.0 9/32	43.0 1-11/16	16.5 0.650	4.5 0.177					
KP003	17	24.0 15/16	85.0 3-11/32	67.0 2-41/64	18.0 23/32	7.0 9/32	7.0 9/32	47.0 1-27/32	17.5 0.689	5.0 0.197					
KP004	20	28.0 1-3/32	100.0 3-15/16	80.0 3-5/32	20.0 25/32	9.0 23/64	9.0 23/64	55.0 2-11/64	21.0 0.827	6.0 0.236					
KP005	25	32.0 1-17/64	112.0 4-13/32	90.0 3-35/64	20.0 25/32	10.0 25/64	10.0 25/64	62.0 2-7/16	22.5 0.886	6.5 0.256					
KP006	30	36.0 5-13/64	132.0 5-13/64	106.0 4-11/64	26.0 1-1/32	13.0 33/64	11.0 7/16	70.0 2-3/4	24.5 0.965	6.5 0.256		M10	K006	P06-7	0.45

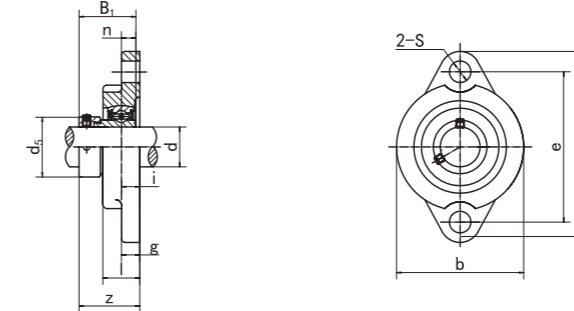
*ALSO AVAILABLE WITH STAINLESS STEEL INSERT AND HOUSING

Silever Series

- Rustproff housings made with a special alloy
- Bearings are high carbon chromium bearing steel

UFL000 type*

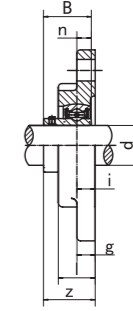
TWO-BOLT FLANGE UNITS
With Eccentric Collar Locking



UFL000

KFL000 type*

TWO-BOLT FLANGE UNITS
With Set Screw Locking



KFL000

Unit NO.	Dimensions (mm / in.)												Bolt Size mm/in.	Bearing No.	Housing No.	Weight (kg)
	d	a	e	i	g	l	S	b	Z	B ₁	n	d ₅				
UFL000	10	60.0 2-23/64	45.0 1-25/35	5.5 7/32	5.5 7/32	11.5 29/64	7.0 9/32	36.0 1-27/64	15.5 39/64	17.5 0.689	4.0 0.157	17.0 43/64	M6	U000	FL000	0.06
UFL001	12	63.0 2-31/64	48.0 1-57/64	5.5 7/32	5.5 7/32	11.5 29/64	7.0 9/32	38.0 1-1/2	16.0 5/8	17.5 0.689	4.0 0.157	19.0 3/4				
UFL002	15	67.0 2-41/64	53.0 2-3/32	6.5 1/4	6.5 1/4	13.0 33/64	7.0 9/32	42.0 1-21/32	18.6 47/64	18.5 0.728	4.5 0.177	22.0 55/64				
UFL003	17	71.0 2-51/64	56.0 2-13/64	7.0 9/32	7.0 9/32	14.0 35/64	7.0 9/32	46.0 1-13/16	19.5 49/64	20.5 0.807	5.0 0.197	25.0 31/32				
UFL004	20	90.0 3-35/64	71.0 2-51/64	8.0 5/16	8.0 5/16	16.0 5/8	10.0 25/64	55.0 2-11/64	23.0 29/32	24.5 0.965	6.0 0.236	30.0 1-3/16				
UFL005	25	95.0 3-47/64	75.0 2-61/64	8.0 5/16	8.0 5/16	16.0 5/8	10.0 25/64	60.0 2-3/8	24.5 31/32	25.5 1.000	6.5 0.256	36.0 1-27/64				
UFL006	30	112.0 4-13/32	85.0 3-11/32	9.0 23/64	9.0 23/64	18.0 23/32	13.0 33/64	70.0 2-3/4	27.0 1-1/6	26.5 1.040	6.5 0.256	42.0 1-21/32	M10	U006	FL06-7	0.35
UFL007	35	122.0 4-51/64	95.0 3-3/4	10.0 25/64	10.0 25/64	20.0 25/32	13.0 33/64	80.0 3-5/32	32.5 1-9/32	29.5 1.161	7.0 0.276	48.0 1-57/64	M10	U007	FL07-8	0.50

Unit NO.	Dimensions (mm / in.)												Bolt Size mm/in.	Bearing No.	Housing No.	Weight (kg)
	d	a	e	i	g	l	S	b	Z	B	n					
KFL000	10	60.0 2-23/64	45.0 1-25/35	5.5 7/32	5.5 7/32	11.5 29/64	7.0 9/32	36.0 1-27/64	15.5 39/64	14.0 0.551	4.0 0.157		M6	K000	FL000	0.06
KFL001	12	63.0 2-31/64	48.0 1-57/64	5.5 7/32	5.5 7/32	11.5 29/64	7.0 9/32	38.0 1-1/2	16.0 5/8	14.5 0.571	4.0 0.157					
KFL002	15	67.0 2-41/64	53.0 2-3/32	6.5 1/4	6.5 1/4	13.0 33/64	7.0 9/32	42.0 1-21/32	18.6 47/64	16.5 0.650	4.5 0.177					
KFL003	17	71.0 2-51/64	56.0 2-13/64	7.0 9/32	7.0 9/32	14.0 35/64	7.0 9/32	46.0 1-13/16	19.5 49/64	17.5 0.689	5.0 0.197					
KFL004	20	90.0 3-35/64	71.0 2-51/64	8.0 5/16	8.0 5/16	16.0 5/8	10.0 25/64	55.0 2-11/64	23.0 29/32	21.0 0.827	6.0 0.236					
KFL005	25	95.0 3-47/64	75.0 2-61/64	8.0 5/16	8.0 5/16	16.0 5/8	10.0 25/64	60.0 2-3/8	24.5 31/32	22.5 0.886	6.5 0.256					
KFL006	30	112.0 4-13/32	85.0 3-11/32	9.0 23/64	9.0 23/64	18.0 23/32	13.0 33/64	70.0 2-3/4	27.0 1-1/6	24.5 0.965	6.5 0.256		M10	K006	FL06-7	0.35

*ALSO AVAILABLE WITH STAINLESS STEEL INSERT AND HOUSING

Thermoplastic Bearing Units

The high grade thermoplastic raw material, from which FK manufactures its plastic products endower the final products with a collection of properties which make them very succesful and sought after products in the food and chemical industry. Main properties: high strength, low friction, high wear and shock resistance, high chemical resistance and antirust.

FK Thermoplastic housings

FK bearing housings are made by FK high-grade glass-filled thermoplastic polyester and they are complety interchangeable with conventional cast iron housings. These maintenance-free housings have excellent mechanical strength, stiffness and dimensional stability, yet they can never rust or corrode. Where high standards of cleanliness are important, such as in the food and foodhandeling industries, their smooth surfaces are much more hygienic than those of cast iron housings whose rough surfaces can harbor objectionable dirt, moldor bacteria.

No plating or coating to chip or peel

Coated or plated cast iron housings can scratch, chip and peel in fact, the very act of installing them causes the finish to be removed around the edges of the bolts that hold them in place. Because FK housings are solid PBT, coatings are not required to protect them. And even should they be scratched or chipped, there is no vulunerable cast iron that can be exposed.

Used in many industries

Because of their corrosion-resistant and non-magnetic properties, FK housings are used in a wide variety of indstries, including: food processing, canning, bottling, pharmaceutical, chemical processing and in many general industrial application.

FK Housings are durable

You can be completely confident that FK plastic housings will stand out to the toughest appliations. Tensile strength at break is an impressive 17, 300 psi. The housings can be cleaned or hosed down with hot water, and will operate at temperatures to 102°C bolts and stainless steel grease nipple.

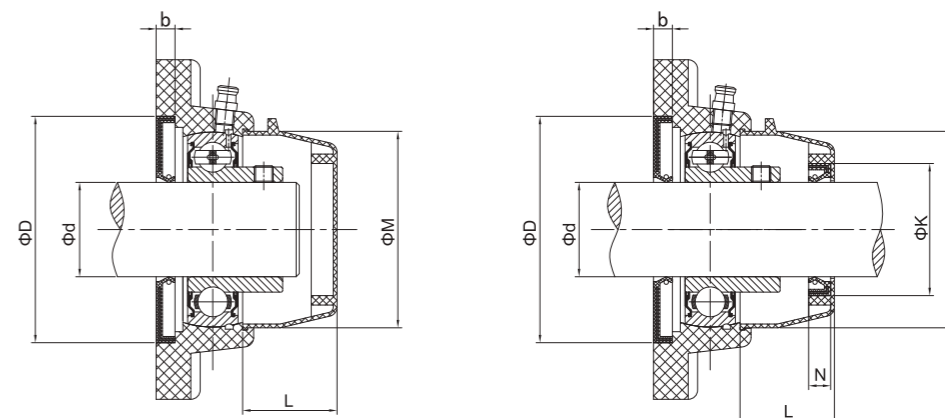
PROPERTIES OF PBT(Poly Butylece Terephthalate)

Properties	Unit	Test method	
Mechanical			-
Tensile strenght at yield	N/mm ²	ASTMD 638	115
at break	N/mm ²	ASTMD 638	-
Elongation at yield	%	ASTMD 638	3
at break	%	ASTMD 638	
Tensile modulus	N/mm ²	ASTMD 638	8000
Flexural yield strength	N/mm ²	ASTMD 790	-
Flexural yield strength	N/mm ²	ASTMD 790	170
Flexural modulus	N/mm ²	ASTMD 790	7000
Notched impact strength Charpy	K/m ²	DIN 53453	12
Notched impact strength IZOD	J/m	ASTMD 256	
Hardness H358/10	N/mm ²	DIN 53456	104
H358/60	N/mm ²	DIN 53456	101
Rockwell	-	ASTMD 785	L102
Thermal			
Oxygen index*	%	ASTM D 2863	19
Flame retareancy* (1/6mm thickness)	-	UL stand 94	94HB
Heat resistance: Vicat, method B	°C	ASTMD 1525	210-215
Thermal conductivity	W/m ² C	ASTM C 177	0.19
Mould shrinkage flow	%	ASTMD 1299	0.4-0.6
Cross flow direction	%	ASTMD 1299	0.6-0.8
Physical			
Water absorption		ASTM D 570	
24 Hrs, 23°C	%		0.06

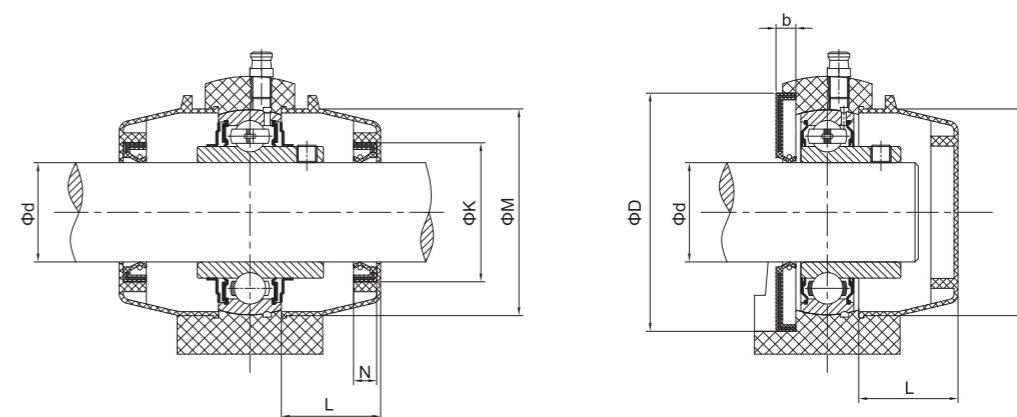
CHEMICAL RESISTANCE OF PBT

Chemical media	°C	Immulsion % Days	% Retention of strenght
Acids			
10% Hydrochloric	23	30	89
	23	90	85
	23	180	82
10% Sulfuric	23	30	97
	23	90	94
	23	180	90
36% Sulfuric (battery)	23	30	97
	23	180	96
	66	30	84
10% Acetic	66	180	35
	23	30	89
	23	180	88
Bases			
5% Potassium Hydroxide	23	30	83
	23	90	10
10% Sodium Hydroxide	23	30	2
	23	180	-
10% Ammonium Hydroxide	23	30	90
	23	90	87
	23	180	58
Organic Solvents			
Ethyl Alcohol	23	30	99
	23	180	94
Methyl Alcohol	23	30	91
	23	180	76
Isopropyl-Alcohol	23	30	100
	23	180	100
Isopropyl-Alcohol & Water (50:50)	23	30	93
	23	180	96
Turpentine	23	180	92
	23	30	66
Acetone	23	180	63
	23	30	90

Plastic end Covers (Open/ Closed) & Back seal



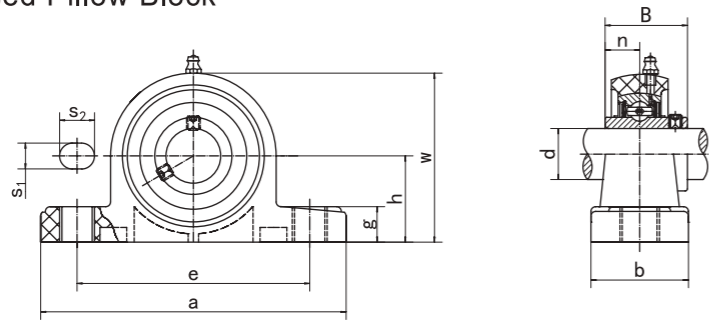
Flange Units



Pillow Blocks Units

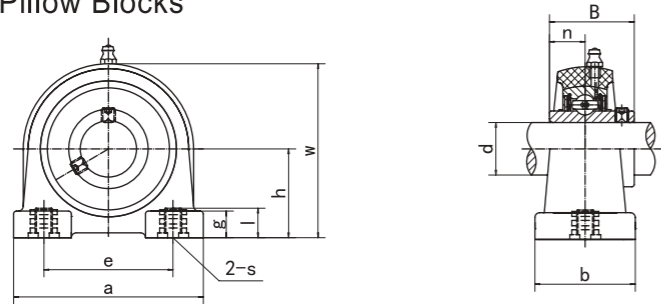
d (mm / in.)		Dimensions (mm)					
mm	inch	K	N	L	M	D	b
12	1/2	32	7	23	50	52	6
15	9/16 ; 5/8	32	7	23	50	52	6
17	11/16	32	7	23	50	52	6
20	3/4	32	7	23	50	52	6
25	13/16 ; 7/8 ; 15/16 ; 1	37	7	25	55	62	6
30	1-1/16 ; 1-1/8 ; 1-3/16 ; 1-1/4	42	7	30	64	72	6
35	1-1/4 ; 1-5/16 ; 1-3/8 ; 1-7/16	47	7	32	74.5	82	6
40	1-1/2 ; 1-9/16	52	7	37	84	88	6
45	1-5/8 ; 1-11/16 ; 1-3/4	57	7	41	89	93	6
50	1-13/16 ; 1-7/8 ; 1-15/16 ; 2	62	7	47	94	98	6
55	2 ; 2-1/16 ; 2-1/8 ; 2-3/16	67	7	52	104	108	6
60	2-1/4 ; 2-5/16 ; 2-3/8 ; 2-7/16	72	7	57	114	118	6

Thermoplastic Housed Pillow Block



Unit NO.	Dimensions (mm / in.)											Max.Torque		Bearing No.	Housing No.	Weight (kg)
	d	h	a	e	b	s1	s2	g	w	B	n	Bolt D	Nm			
SS-UCPPL204	20	33.3	127.0	95.0	38.0	11.0	14.0	14.2	65.5	31.0	12.7	M10	18	SS-UC204	PPL204	0.29
SS-UCPPL205	25	36.5	140.5	105.0	38.0	11.0	14.0	14.5	71.0	34.0	14.3	M10	25	SS-UC205	PPL205	0.34
SS-UCPPL206	30	42.9	163.0	119.0	46.0	14.0	18.0	17.8	84.0	38.1	15.9	M10	30	SS-UC206	PPL206	0.54
SS-UCPPL207	35	47.6	168.0	127.0	48.0	14.0	18.0	18.0	94.5	42.9	17.5	M12	35	SS-UC207	PPL207	0.78
SS-UCPPL208	40	49.2	184.0	137.0	54.0	14.0	18.0	19.5	99.0	49.2	19.0	M12	40	SS-UC208	PPL208	0.97
SS-UCPPL209	45	54.0	192.0	146.0	54.0	17.0	20.0	23.0	106.0	49.2	19.0	M16	45	SS-UC209	PPL209	1.09
SS-UCPPL210	50	57.2	206.0	159.0	60.0	17.0	20.0	23.0	114.0	51.6	19.0	M16	50	SS-UC210	PPL210	1.20
SS-UCPPL211	55	63.5	219.0	171.0	60.0	20.0	23.0	23.0	125.0	55.6	22.2	M16	55	SS-UC211	PPL211	1.38
SS-UCPPL212	60	69.8	241.0	184.0	70.0	20.0	23.0	25.0	138.0	65.1	25.4	M16	60	SS-UC212	PPL212	1.52

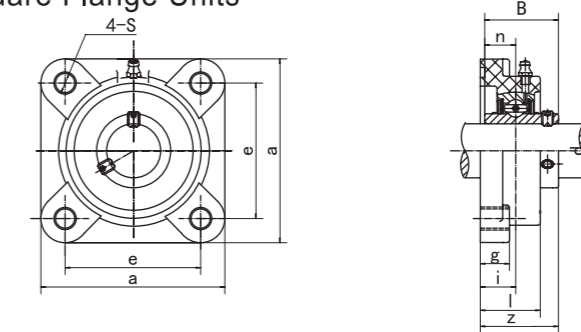
Thermoplastic Housed Pillow Blocks



Unit NO.	Dimensions (mm / in.)											Max.Torque		Bearing No.	Housing No.	Weight (kg)
	d	h	a	e	b	s	l	g	w	B	n	Bolt D	Nm			
SS-UCPAPL204	20	30.2	76.0	52.0	40.0	M8	15.0	11.0	62.0	31.0	12.7	M8	18	SS-UC204	PAPL204	0.55
SS-UCPAPL205	25	36.5	84.0	56.0	38.0	M10	15.0	12.0	72.0	34.1	14.3	M10	25	SS-UC205	PAPL205	0.61
SS-UCPAPL206	30	42.9	94.0	66.0	50.0	M10	18.0	12.0	84.0	38.1	15.9	M10	30	SS-UC206	PAPL206	0.89
SS-UCPAPL207	35	47.6	110.0	80.0	55.0	M10	20.0	13.0	95.0	42.9	17.5	M10	35	SS-UC207	PAPL207	1.31
SS-UCPAPL208	40	49.2	116.0	84.0	58.0	M12	20.0	13.0	100.0	49.2	19.0	M12	40	SS-UC208	PAPL208	1.56
SS-UCPAPL209	45	54.2	120.0	90.0	60.0	M12	25.0	13.0	108.0	49.2	19.0	M12	45	SS-UC209	PAPL209	1.70
SS-UCPAPL210	50	57.2	130.0	94.0	64.0	M16	25.0	14.0	116.0	51.6	19.0	M16	50	SS-UC210	PAPL210	1.93
SS-UCPAPL211	55	63.5	140.0	104.0	66.0	M16	25.0	14.0	125.0	55.6	22.2	M16	55	SS-UC211	PAPL211	2.33
SS-UCPAPL212	60	69.9	150.0	114.0	68.0	M16	25.0	15.0	138.0	65.1	25.4	M16	60	SS-UC212	PAPL212	2.90

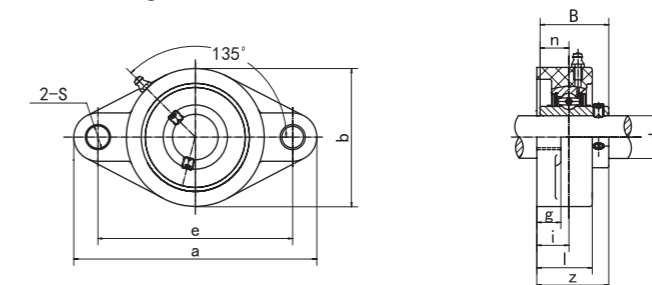
Ball Bearing Units

Thermoplastic Housed Square Flange Units



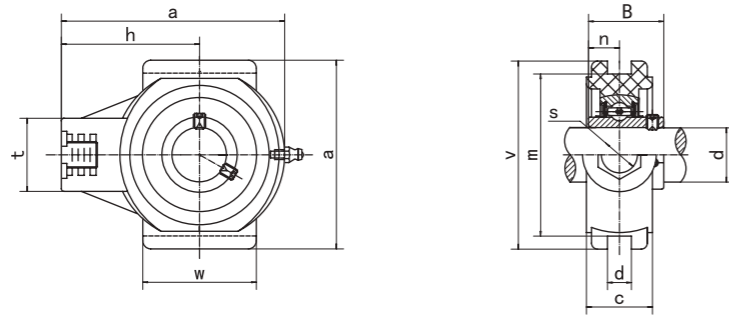
Unit NO.	Dimensions (mm / in.)											Max.Torque		Bearing No.	Housing No.	Weight (kg)
	d	a	e	g	l	s	z	i	B	n	Bolt D	Nm				
SS-UCFPL204	20	86.0	63.5	13.4	27.8	11.0	36.3	18.0	31.0	12.7	M10	18	SS-UC204	FPL204	0.29	
SS-UCFPL205	25	95.0	70.0	14.3	28.0	11.0	36.7	17.0	34.1	14.3	M10	25	SS-UC205	FPL205	0.36	
SS-UCFPL206	30	107.0	83.0	14.3	31.5	11.0	41.4	19.2	38.1	15.9	M10	30	SS-UC206	FPL206	0.50	
SS-UCFPL207	35	118.0	92.0	15.5	34.8	13.0	46.9	21.5	42.9	17.5	M12	35	SS-UC207	FPL207	0.74	
SS-UCFPL208	40	130.0	102.0	17.0	37.5	14.0	53.2	23.0	49.2	19.0	M12	40	SS-UC208	FPL208	0.97	
SS-UCFPL209	45	137.0	105.0	19.0	41.0	17.0	54.2	24.0	49.2	19.0	M16	45	SS-UC209	FPL209	1.10	
SS-UCFPL210	50	143.0	111.0	21.0	43.0	17.0	57.6	25.0	51.6	19.0	M16	50	SS-UC210	FPL210	1.25	
SS-UCFPL211	55	162.0	130.0	20.0	43.0	19.0	58.4	25.0	55.6	22.2	M16	55	SS-UC211	FPL211	1.40	
SS-UCFPL212	60	175.0	143.0	20.0	48.0	19.0	68.7	29.0	65.1	25.4	M16	60	SS-UC212	FPL212	1.60	

Thermoplastic Housed 2-Bolt Flange Units



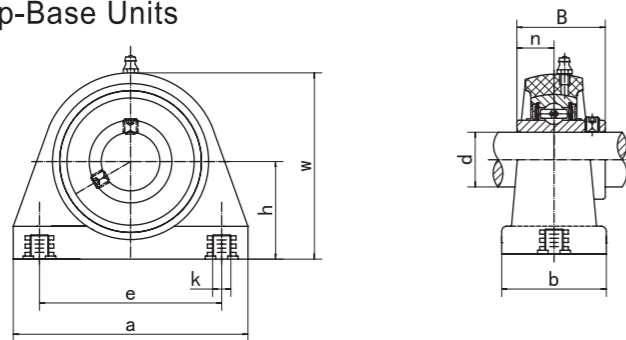
Unit NO.	Dimensions (mm / in.)											Max.Torque		Bearing No.	Housing No.	Weight (kg)
	d	a	e	b	g	l	s	z	i	B	n	Bolt D	Nm			
SS-UCFLPL204	20	130.0	90.0	70.0	11.4	26.5	11.0	33.7	15.4	31.0	12.7	M10	18	SS-UC204	FLPL204	0.24
SS-UCFLPL205	25	131.0	99.0	69.5	13.5	29.1	11.0	36.7	17.0	34.1	14.3	M10	25	SS-UC205	FLPL205	0.30
SS-UCFLPL206	30	148.0	117.0	80.0	13.3	30.5	11.0	41.2	19.0	38.1	15.9	M10	30	SS-UC206	FLPL206	0.45
SS-UCFLPL207	35	164.0	130.0	90.0	16.1	32.8	13.0	43.4	18.0	42.9	17.5	M12	35	SS-UC207	FLPL207	0.66
SS-UCFLPL208	40	176.0	144.0	100.0	20.0	37.5	14.0	51.7	21.5	49.2	19.0	M12	40	SS-UC208	FLPL208	0.87
SS-UCFLPL209	45	188.5	148.5	108.0	21.0	41.0	17.0	54.2	24.0	49.2	19.0	M16	45	SS-UC209	FLPL209	1.00
SS-UCFLPL210	50	197.0	157.0	115.0	21.0	43.0	17.0	57.6	25.0	51.6	19.0	M16	50	SS-UC210	FLPL210	1.20
SS-UCFLPL211	55	224.0	184.0	130.0	18.0	43.0	19.0	58.4	25.0	55.6	22.2	M16	55	SS-UC211	FLPL211	1.42
SS-UCFLPL212	60	250.0	202.0	140.0	18.0	48.0	23.0	68.7	29.0	65.1	25.4	M16	60	SS-UC212	FLPL212	1.60

Thermoplastic Housed Take-up Units



Unit NO.	Dimensions (mm / in.)												Bearing No.	Housing No.	Weight (kg)
	d	a	c	d	h	m	s	t	v	w	B	n			
SS-UCTPL204	20	99.0	27.5	12.0	64.0	76.0	M16	36.0	88.0	47.0	31.0	12.7	SS-UC204	TPL204	0.35
SS-UCTPL205	25	99.0	27.5	12.0	64.0	76.0	M16	36.0	88.0	47.0	34.1	14.3	SS-UC205	TPL205	0.40
SS-UCTPL206	30	125.0	34.5	12.0	76.0	89.0	M16	40.0	102.0	63.0	38.1	15.9	SS-UC206	TPL206	0.55
SS-UCTPL207	35	125.0	34.5	12.0	76.0	89.0	M16	40.0	102.0	63.0	42.9	17.5	SS-UC207	TPL207	0.80
SS-UCTPL208	40	140.0	34.5	16.0	85.0	102.0	M16	40.0	114.0	80.0	49.2	19.0	SS-UC208	TPL208	0.95
SS-UCTPL209	45	149.0	40.0	16.0	90.0	102.0	M20	50.0	117.0	85.0	49.2	19.0	SS-UC209	TPL209	1.10
SS-UCTPL210	50	149.0	40.0	16.0	90.0	102.0	M20	50.0	117.0	85.0	51.6	19.0	SS-UC210	TPL210	1.25
SS-UCTPL211	55	171.0	38.0	22.0	106.0	130.0	M20	64.0	146.0	95.0	55.6	22.2	SS-UC211	TPL211	1.62
SS-UCTPL212	60	194.0	42.0	22.0	119.0	130.0	M20	64.0	146.0	102.0	65.1	25.4	SS-UC212	TPL212	1.78

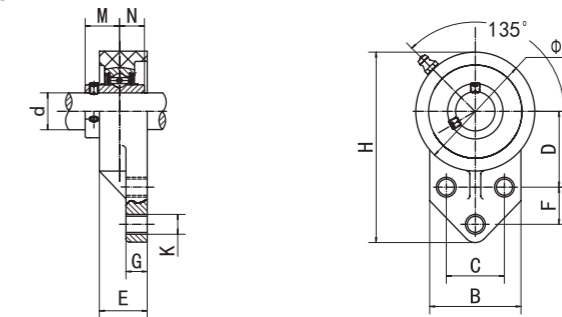
Thermoplastic Housed Tap-Base Units



Unit NO.	Dimensions (mm / in.)										Max.Torque		Bearing No.	Housing No.	Weight (kg)
	d	a	e	b	h	w	k	B	n	Bolt D	Nm				
SS-UCTBPL204	20	72.8	50.8	34.5	33.3	66.0	M8	31.0	12.7	M8	18	SS-UC204	TBPL204	0.35	
SS-UCTBPL205	25	76.2	50.8	39.5	36.5	73.5	M10	34.1	14.3	M10	25	SS-UC205	TBPL205	0.40	
SS-UCTBPL206	30	101.0	76.2	42.5	42.9	84.0	M10	38.1	15.9	M10	30	SS-UC206	TBPL206	0.55	
SS-UCTBPL207	35	110.0	82.6	47.5	47.6	95.0	M10	42.9	17.5	M10	35	SS-UC207	TBPL207	0.80	
SS-UCTBPL208	40	120.0	88.9	48.0	49.2	100.5	M12	49.2	19.0	M12	45	SS-UC208	TBPL208	0.95	
SS-UCTBPL209	45	124.0	95.3	50.0	54.0	108.5	M12	49.2	19.0	M12	50	SS-UC209	TBPL209	1.10	
SS-UCTBPL210	50	135.0	101.6	54.0	57.2	115.0	M16	51.6	19.0	M16	55	SS-UC210	TBPL210	1.25	
SS-UCTBPL211	55	140.0	104.0	66.0	63.5	125.0	M20	55.6	22.2	M20	60	SS-UC211	TBPL211	1.43	
SS-UCTBPL212	60	150.0	114.0	68.0	69.9	138.0	M20	65.1	25.4	M20	65	SS-UC212	TBPL212	1.58	

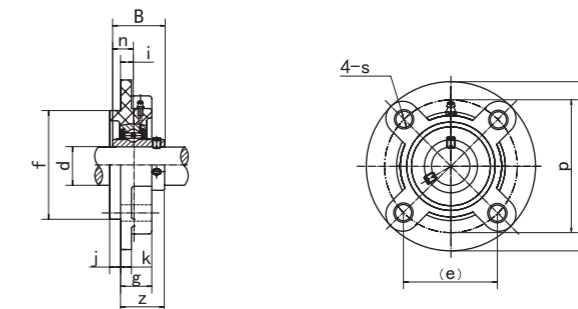
Ball Bearing Units

Thermoplastic Housed Flange Units



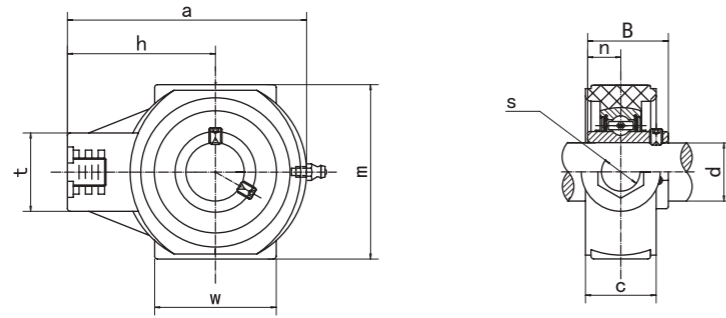
Unit NO.	Dimensions (mm / in.)														Max.Torque		Bearing No.	Housing No.	Weight (kg)
	d	B	C	D	E	F	G	H	I	K	M	N	Bolt D	Nm					
SS-UCFBPL204	20	62.0	38.1	42.9	26.5	22.2	11.4	108.0	63.5	10.7	18.3	12.7	M10	18	SS-UC204	FBPL204	0.25		
SS-UCFBPL205	25	63.5	41.3	46.0	34.0	28.6	11.4	120.6	70.0	10.7	19.8	14.3	M10	25	SS-UC205	FBPL205	0.30		
SS-UCFBPL206	30	76.0	47.6	52.4	32.0	31.8	13.3	138.5	83.0	10.7	22.2	15.9	M10	30	SS-UC206	FBPL206	0.46		
SS-UCFBPL207	35	89.0	50.8	60.3	36.5	31.8	16.1	157.0	95.0	13.1	25.4	17.5	M12	35	SS-UC207	FBPL207	0.66		
SS-UCFBPL208	40	78.0	50.0	60.0	36.0	41.0	16.0	164.0	100.0	13.1	30.2	19.0	M12	40	SS-UC208	FBPL208	0.78		
SS-UCFBPL209	45	80.0	54.0	65.0	38.0	43.0	18.0	174.0	106.0	13.1	30.2	19.0	M12	45	SS-UC209	FBPL209	0.92		
SS-UCFBPL210	50	86.0	58.0	68.0	40.0	46.0	18.0	184.0	112.0	13.1	32.6	19.0	M12	50	SS-UC210	FBPL210	1.12		
SS-UCFBPL211	55	90.0	62.0	78.0	43.0	50.0	18.0	207.0	130.0	16.0	33.4	22.2	M14	55	SS-UC211	FBPL211	1.47		
SS-UCFBPL212	60	94.0	66.0	84.0	48.0	55.0	18.0	223.0	140.0	16.0	39.7	25.4	M14	60	SS-UC212	FBPL212	1.63		

Thermoplastic Housed Flange Cartridge Units



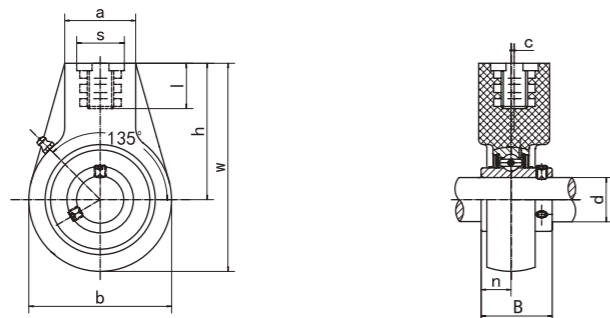
Unit NO.	Dimensions (mm / in.)														Max.Torque		Bearing No.	Housing No.	Weight (kg)
	d	a	p	(e)	i	s	j	k	g	f	z	B	n	Bolt D	Nm				
SS-UCFCPL204	20	100.0	78.0	55.1	10.0	12.0	5.0	7.0	20.5	62.0	28.3	31.0	12.7	M10	18	SS-UC204	FCPL204	0.59	
SS-UCFCPL205	25	115.0	90.0	63.6	10.0	12.0	6.0	7.0	21.0	70.0	29.8	34.1	14.3	M10	25	SS-UC205	FCPL205	0.71	
SS-UCFCPL206	30	125.0	100.0	70.7	10.0	12.0	8.0	8.0	23.0	80.0	32.2	38.1	15.9	M10	30	SS-UC206	FCPL206	0.94	
SS-UCFCPL207	35	135.0	110.0	77.8	11.0	14.0	8.0	9.0	26.0	90.0	36.4	42.9	17.5	M12	35	SS-UC207	FCPL207	1.17	
SS-UCFCPL208	40	145.0	120.0	84.8	11.0	14.0	10.0	9.0	26.0	100.0	41.2	49.2	19.0	M12	40	SS-UC208	FCPL208	1.42	
SS-UCFCPL209	45	160.0	132.0	93.3	10.0	16.0	12.0	14.0	26.0	105.0	40.2	49.2	19.0	M14	45	SS-UC209	FCPL209	1.55	
SS-UCFCPL210	50	165.0	138.0	97.6	10.0	16.0	12.0	14.0	28.0	110.0	42.6	51.6	19.0	M14	50	SS-UC210	FCPL210	1.76	
SS-UCFCPL211	55	185.0	150.0	106.1	13.0	19.0	12.0	15.0	31.0	125.0	46.4	55.6	22.2	M16	55	SS-UC211	FCPL211	2.15	
SS-UCFCPL212	60	195.0	160.0	113.1	17.0	19.0	12.0	15.0	36.0	135.0	56.7	65.1	25.4	M16	60	SS-UC212	FCPL212	2.64	

Thermoplastic Housed Screw Conveyor Hanger Units



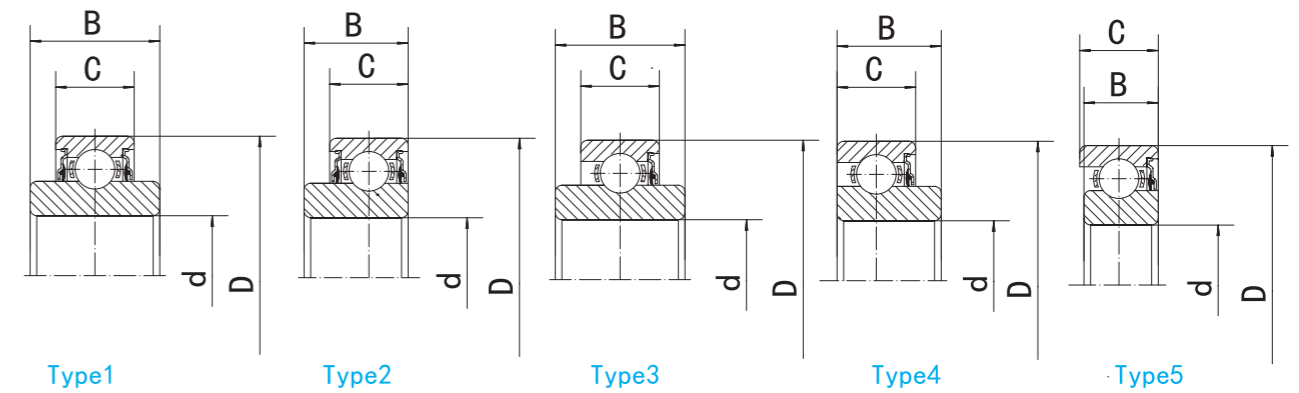
Unit NO.	Dimensions (mm / in.)										Bearing No.	Housing No.	Weight (kg)
	d	a	c	h	m	t	s	w	B	n			
SS-UCHPL204	20 3/4	99.0 3-57/64	27.5 1-5/64	63.5 2-1/2	65.0 2-9/16	36.0 1-27/64	M16	47.0 1-27/32	31.0 1.221	12.7 0.500	SS-UC204	HPL204	0.35
SS-UCHPL205	25 13/16 ; 7/8 ; 15/16 ; 1	99.0 3-57/64	27.5 1-5/64	63.5 2-1/2	74.0 2-29/32	36.0 1-27/64	M16	47.0 1-27/32	34.1 1.343	14.3 0.563	SS-UC205	HPL205	0.40
SS-UCHPL206	30 1-1/16 ; 1-1/8 ; 1-3/16 ; 1-1/4	125.0 4-59/64	34.5 1-23/64	76.0 2-63/64	90.0 3-35/64	40.0 1-37/64	M16	63.0 2-31/64	38.1 1.500	15.9 0.626	SS-UC206	HPL206	0.55
SS-UCHPL207	35 1-1/4 ; 1-5/16 ; 1-3/8 ; 1-7/16	125.0 4-59/64	34.5 1-23/64	76.0 2-63/64	90.0 3-35/64	40.0 1-37/64	M16	63.0 2-31/64	42.9 1.689	17.5 0.689	SS-UC207	HPL207	0.80
SS-UCHPL208	40 1-1/2 ; 1-9/16	140.0 5-33/64	34.5 1-23/64	85.0 3-11/32	100.0 3-15/16	40.0 1-37/64	M16	80.0 3-5/32	49.2 1.937	19.0 0.748	SS-UC208	HPL208	0.90
SS-UCHPL209	45 1-5/8 ; 1-11/16 ; 1-3/4	149.0 5-55/64	40.0 1-37/64	90.0 3-35/64	110.0 4-21/64	50.0 1-31/32	M20	85.0 3-11/32	49.2 1.937	19.0 0.748	SS-UC209	HPL209	1.10
SS-UCHPL210	50 1-13/16 ; 1-7/8 ; 1-15/16 ; 2	149.0 5-55/64	40.0 1-37/64	90.0 3-35/64	110.0 4-21/64	50.0 1-31/32	M20	85.0 3-11/32	51.6 2.032	19.0 0.748	SS-UC210	HPL210	1.20
SS-UCHPL211	55 2 ; 2-1/16 ; 2-1/8 ; 2-3/16	171.0 6-47/64	38.0 1-1/2	106.0 4-11/64	140.0 5-33/64	64.0 2-33/64	M20	95.0 3-47/64	55.6 2.189	22.2 0.874	SS-UC211	HPL211	1.40
SS-UCHPL212	60 2-1/4 ; 2-5/16 ; 2-3/8 ; 2-7/16	194.0 7-41/64	42.0 1-21/32	119.0 4-11/16	140.0 5-33/64	64.0 2-33/64	M20	102.0 4-1/64	65.1 2.563	25.4 1.000	SS-UC212	HPL212	1.52

Thermoplastic Housed Screw Conveyor Hanger Units



Unit NO.	Dimensions (mm / in.)										Bearing No.	Housing No.	Weight (kg)
	d	h	w	b	c	a	s	l	B	n			
SS-UHAPL204	20 3/4	64.0 2-33/64	96.0 3-25/32	64.0 2-23/64	0.0 1-37/64	40.0 1-37/64	M16	19.0 3/4	31.0 1.221	12.7 0.500	SS-UC204	HAPL204	0.48
SS-UHAPL205	25 13/16 ; 7/8 ; 15/16 ; 1	64.0 2-33/64	103.0 4-1/16	78.0 3-5/64	0.0 1-37/64	40.0 1-37/64	M20	19.0 3/4	34.1 1.343	14.3 0.563	SS-UC205	HAPL205	0.57
SS-UHAPL206	30 1-1/16 ; 1-1/8 ; 1-3/16 ; 1-1/4	64.0 2-33/64	103.0 4-1/16	78.0 3-5/64	0.0 1-37/64	40.0 1-37/64	M20	19.0 3/4	38.1 1.500	15.9 0.626	SS-UC206	HAPL206	0.80
SS-UHAPL207	35 1-1/4 ; 1-5/16 ; 1-3/8 ; 1-7/16	70.0 2-3/4	116.0 4-9/16	92.0 3-5/8	0.0 1-37/64	40.0 1-37/64	M20	19.0 3/4	42.9 1.689	17.5 0.689	SS-UC207	HAPL207	1.10
SS-UHAPL208	40 1-1/2 ; 1-9/16	73.0 2-7/8	121.0 4-49/64	96.0 3-25/32	2.0 5/64	40.0 1-37/64	M20	19.0 3/4	49.2 1.937	19.0 0.748	SS-UC208	HAPL208	1.35
SS-UHAPL209	45 1-5/8 ; 1-11/16 ; 1-3/4	82.0 3-15/64	136.0 5-23/64	108.0 4-1/4	5.0 13/64	48.0 1-57/64	M20	21.0 53/64	49.2 1.937	19.0 0.748	SS-UC209	HAPL209	1.46
SS-UHAPL210	50 1-13/16 ; 1-7/8 ; 1-15/16 ; 2	83.0 3-17/64	142.0 5-19/32	118.0 4-41/64	5.0 13/64	48.0 1-57/64	M24	21.0 53/64	51.6 2.032	19.0 0.748	SS-UC210	HAPL210	1.67
SS-UHAPL211	55 2 ; 2-1/16 ; 2-1/8 ; 2-3/16	87.0 3-27/64	150.0 5-29/32	126.0 4-61/64	7.0 9/32	60.0 2-23/64	M30	25.0 63/64	55.6 2.189	22.2 0.874	SS-UC211	HAPL211	2.07
SS-UHAPL212	60 2-1/4 ; 2-5/16 ; 2-3/8 ; 2-7/16	102.0 4-1/64	173.0 6-13/16	142.0 5-19/32	9.0 23/64	60.0 2-23/64	M30	28.0 1-7/64	65.1 2.563	25.4 1.000	SS-UC212	HAPL212	2.63

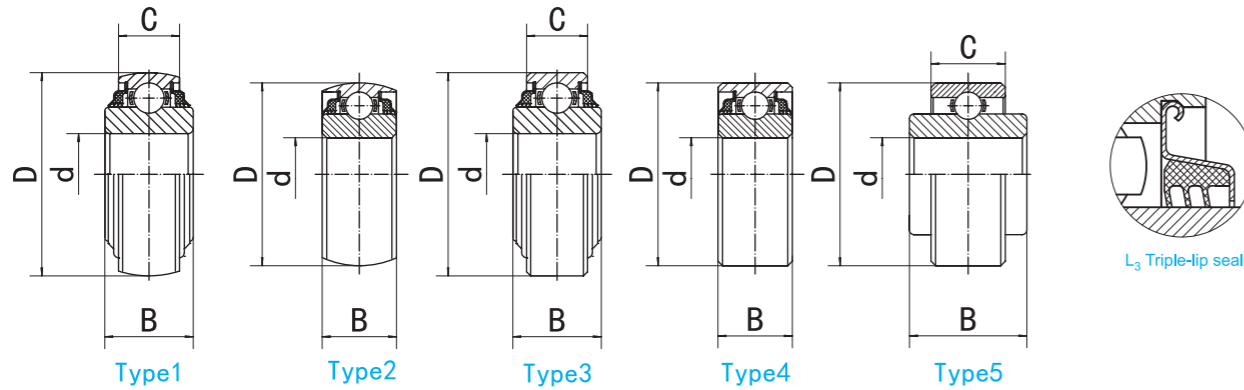
Non Relubricatable Series



Bearing NO.	Type	Dimensions (in./mm)				Dynamic load ratings (N)	Static load ratings (N)	Weight (kg)
		d	D	C	B			
203KR2	4	0.6250 15.88	1.5748 40	0.4720 12	0.5510 14	12800	6650	0.077
203KRR2	1	0.6400 16.26	1.5748 40	0.4720 12	0.7200 18.29	12800	6650	0.085
203KRR5	1	0.5150 13.08	1.5748 40	0.4720 12	0.7200 18.29	12800	6650	0.096
203KRR6	1	0.6400 16.26	1.8504 47	0.4720 12	0.7200 18.29	12800	6650	0.130
203KRR7	1	0.6690 17	1.5748 40	0.4720 12	0.6540 16.61	12800	6650	0.079
204KR2	4	0.7505 19.063	1.7805 45.23	0.6100 15.49	0.6100 15.49	12800	6650	0.107
204KRR3	1	0.7874 20	1.8504 47	0.5510 14	0.6990 17.76	12800	6650	0.121
204KRD4	2	0.6300 16	1.8504 47	0.5510 14	0.6890 17.5	12800	6650	0.135
204KRR14	1	0.6300 16	1.8504 47	0.5910 15	0.7200 18.29	12800	6650	0.142
205KR3	5	0.7500 19.05	2.0472 52	0.6992 17.76	0.6402 16.26	14000	7850	0.161
205KR4	3	1.0005 25.41	2.0472 52	0.5910 15	1.0000 25.4	14000	7850	0.148
206KR7	3	1.1810 30	2.4410 62	0.6300 16	0.9450 24	19450	11250	0.260
206KRR8	1	1.1810 30	2.4410 62	0.6300 16	0.9450 24	19450	11250	0.260
206KRR18	1	1.2598 32	2.4410 62	0.6300 16	0.9450 24	19450	11250	0.219
207KRR	1	1.3780 35	2.8346 72	0.6690 17	0.9840 28	25700	15200	0.350
208KRR2	1	1.5748 40	3.1496 80	0.8270 21	1.0630 27	29500	18100	0.450
210KRR	1	1.9685 50	3.5433 90	0.7874 20	1.1810 30	35000	23200	0.524
214KRR	1	2.7559 70	4.9212 125	1.1024 28	1.6929 43	62100	44800	1.546

Round Bore

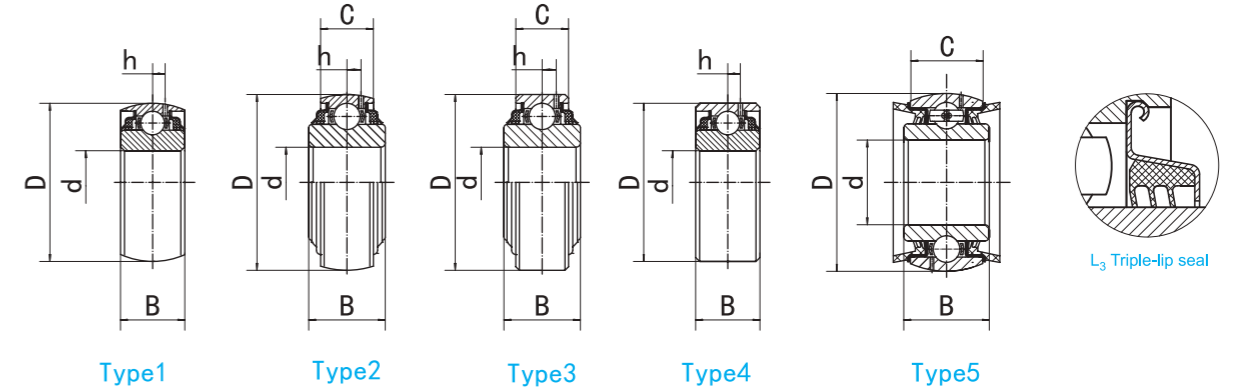
Non Relubricatable Series



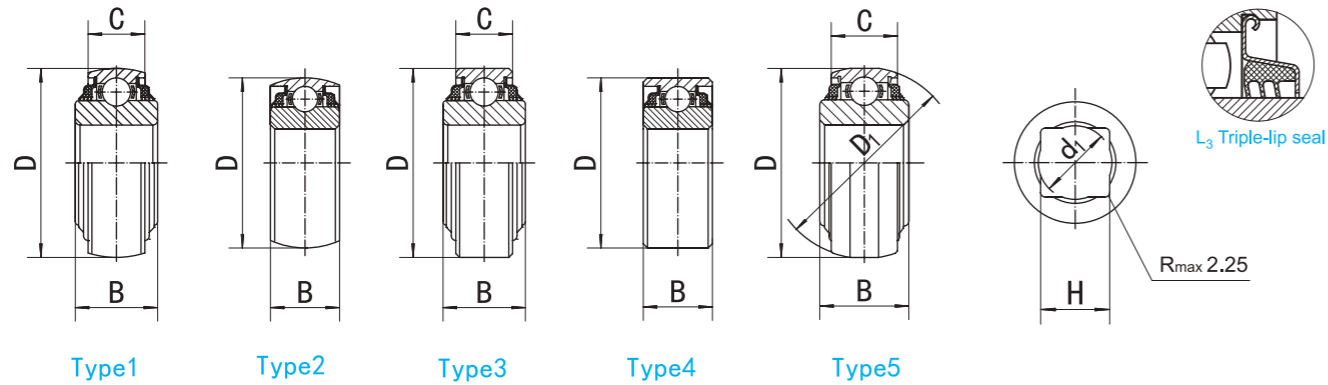
Bearing NO.	Type	Dimensions (in./mm)				Dynamic load ratings (N)	Static load ratings (N)	Weight (kg)
		d	D	C	B			
W208PPB2	1	1.5005 38.11	3.1496 80	0.7090 18	1.6913 42.96	29500	18100	0.598
W208PPB7	1	1.1800 30.18	3.1496 80	0.7090 18	1.1890 30.2	29500	18100	0.558
W208PPB10	3	1.5005 38.11	3.1496 80	0.8268 21	1.6913 42.96	29500	18100	0.817
W208PPB23	1	1.5005 38.11	3.1496 80	1.1890 30.2	1.6913 42.96	29500	18100	0.817
W209PPB2	2	1.7717 45	3.3465 85	1.1890 30.2	1.1890 30.2	32700	20900	0.566
W209PPB4	2	1.5350 39	3.3465 85	1.1890 30.2	1.1890 30.2	32700	23200	0.659
W209PPB11	1	1.7811 45.24	3.3465 85	0.8660 22	1.4370 36.5	32700	23200	0.573
W210PP2	4	1.9380 49.23	3.5433 90	1.1890 30.2	1.1890 30.2	35000	23200	0.667
W210PPB2	2	1.9390 49.23	3.5433 90	1.1890 30.2	1.1890 30.2	35000	23200	0.708
W210PPB5	2	1.7850 45.34	3.5433 90	1.1890 30.2	1.1890 30.2	35000	23200	0.749
W210PP8	4	1.5300 38.86	3.5433 90	1.1890 30.2	1.1890 30.2	35000	23200	0.836
W211PP2	4	2.1800 55.58	3.9370 100	1.3110 33.3	1.3110 33.3	43300	29200	1.010
W211PPB2	2	2.1800 55.58	3.9370 100	1.3110 33.3	1.3110 33.3	43300	29200	0.810
W214PP2	4	2.7559 70	4.9213 125	1.5630 39.7	1.5630 39.7	62100	44800	1.902
W214PPB2	2	2.7559 70	4.9213 125	1.5630 39.7	1.5630 39.7	62100	44800	1.667
W214PPB9	1	2.7661 70.26	4.9213 125	1.1024 28	1.7500 44.45	62100	44800	1.902
WIR210-31	5	1.9370 49.2	2.5430 90	0.7870 20	1.9370 49.2	35000	23200	0.740
WIR211-33	5	2.0630 52.39	3.9370 100	0.8270 21	2.1890 56.6	43300	29200	1.122
WIR212-39	5	2.4370 61.91	4.3310 110	0.8660 22	2.4370 61.9	47700	32800	1.249

Non Relubricatable Series

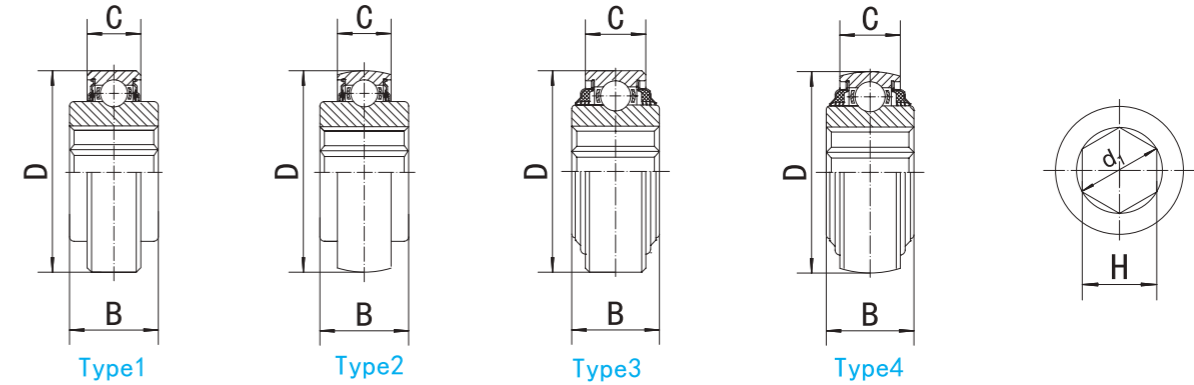
Round Bore



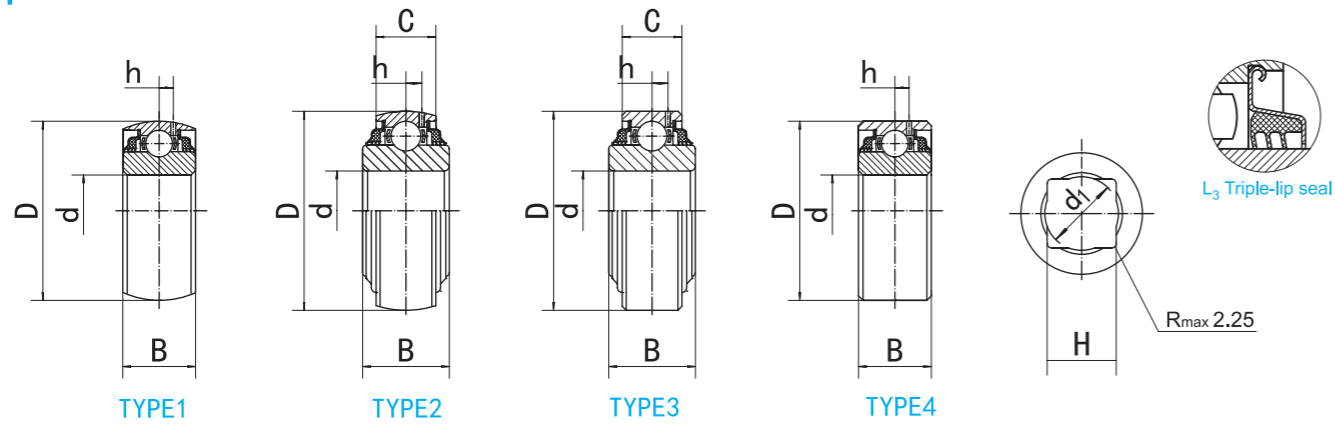
Bearing NO.	Type	Dimensions (in./mm)					Dynamic load ratings (N)	Static load ratings (N)	Weight (kg)
		d	D	C	B	h			
GW205PPB7	2	0.9375 23.81	2.0472 52	0.5906 15	1.3780 35	0.1693 4.30	14000	7850	0.202
GW208PPB7	2	1.1880 30.18	3.1496 80	0.9450 24	1.1890 30.2	0.2520 6.40	29500	18100	0.600
GW209PPB2	1	1.7717 45	3.3465 85	1.1890 30.2	1.1890 30.2	0.2598 6.60	32700	20900	0.582
GW209PPB4	1	1.5354 39	3.3465 85	1.1890 30.2	1.1890 30.2	0.2598 6.60	32700	20900	0.603
GW209PPB11	2	1.7811 45.24	3.3465 85	0.8660 22	1.4370 36.5	0.2598 6.60	32700	20900	0.573
GW210PPB2	1	1.9380 49.23	3.5433 90	1.1890 30.2	1.1890 30.2	0.2598 6.60	35000	23200	0.616
GW210PP3	4	1.4766 37.53	3.5433 90	1.1890 30.2	1.1890 30.2	0.2598 6.60	35000	23200	1.022
GW210PPB5	1	1.7850 45.34	3.5433 90	1.1890 30.2	1.1890 30.2	0.2598 6.60	35000	23200	0.648
GW210PPB9	3	1.9449 49.4	3.5433 90	0.9055 23	1.4370 36.5	0.2598 6.60	35000	23200	0.793
GW211PP2	4	2.1890 55.58	3.9370 100	1.3126 33.3	1.3126 33.3	0.2992 7.60	43300	29200	0.880
GW211PPB2	1	2.1890 55.58	3.9370 100	1.3126 33.3	1.3126 33.3	0.2992 7.60	43300	29200	0.810
GW211PPB8	2	2.1890 55.58	3.9370 100	0.9840 25	1.3126 33.3	0.2992 7.60	43300	29200	0.750
GW211PPB9	2	2.1949 55.75	3.9370 100	0.9840 25	1.5630 39.7	0.2992 7.60	43300	29200	0.917
GW211PPB10	1	1.9380 49.23	3.9370 100	1.3126 33.3	1.3126 33.3	0.2992 7.60	43300	29200	1.026
GW211PPB13	2	1.7850 45.34	3.9370 100	0.9840 25	1.3126 33.3	0.2992 7.60	43300	29200	0.985
GW211PPB14	2	2.0150 51.18	3.9370 100	0.9840 25	1.3126 33.3	0.2992 7.60	43300	29200	0.990
GW211PPB20	5	2.1949 55.75	3.9370 100	1.2992 33	1.5748 40	0.3189 8.1	43300	29200	1.038
GW214PP2	4	2.7559 70	4.9213 125	1.5630 39.7	1.5630 39.7	0.3543 9.00	62100	44800	1.902
GW214PPB2	1	2.7559 70	4.9213 125	1.5630 39.7	1.5630 39.7	0.3543 9.00	62100	45000	1.666
GW214PPB6	2	2.6882 68.28	4.9213 125	1.1024 28	2.6874 68.26	0.3543 9.00	62100	44800	1.362
GW309PPB2	2	1.7717 45	3.9370 100	1.0630 27	1.8740 47.6	0.3386 8.60	48600	28900	0.980



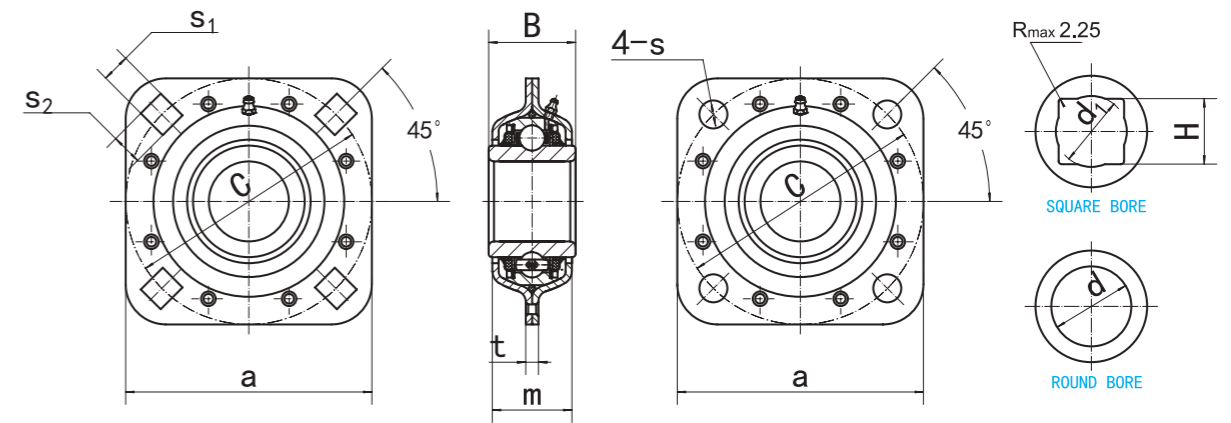
Bearing NO.	Type	Dimensions (in./mm)						Dynamic load ratings (N)	Static load ratings (N)	Weight (kg)
		d ₁	H	D	D ₁	C	B			
W208PP5	3	1.2598 32.00	1.1800 29.97	3.1496 80.00		0.7090 18.00	1.4370 36.50	29500	18100	0.600
W208PPB5	1	1.2598 32.00	1.1800 29.97	3.1496 80.00		0.7090 18.00	1.4370 36.50	29500	18100	0.590
W208PP6	3	1.0945 27.80	1.0300 26.16	3.1496 80.00		0.7090 18.00	1.4370 36.50	29500	18100	0.662
W208PPB6	1	1.0945 27.80	1.0300 26.16	3.1496 80.00		0.7090 18.00	1.4370 36.50	29500	18100	0.652
W208PP8	3	1.2598 32.00	1.1800 29.97	3.1496 80.00		0.7090 18.00	1.4370 36.50	29500	18100	0.709
W208PPB8	1	1.2598 32.00	1.1800 29.97	3.1496 80.00		0.7090 18.00	1.4370 36.50	29500	18100	0.735
W208PPB9	1	1.0945 27.80	1.0300 26.16	3.1496 80.00		0.7090 18.00	1.4370 36.50	29500	18100	0.788
W208PPB11	5	0.9746 24.80	0.9050 22.99	3.4020 85.75	3.4385 87.34	0.7090 18.00	1.4370 36.50	29500	18100	0.956
W208PPB12	5	1.2598 32.00	1.1800 29.97	3.4020 85.75	3.4385 87.34	0.7090 18.00	1.4370 36.50	29500	18100	0.953
W208PPB13	1	0.9764 24.80	0.9050 22.99	3.1496 80.00		0.7090 18.00	1.4370 36.50	29500	18100	0.690
W209PPB5	1	1.3504 34.30	1.2900 32.77	3.3465 85.00		1.1890 30.20	1.4370 36.50	32700	20900	0.945
W209PPB8	1	1.3504 34.30	1.2900 32.77	3.3465 85.00		0.7480 19.00	1.4370 36.50	32700	20900	0.723
W210PP4	4	1.2598 32.00	1.1800 29.97	3.5433 90.00		1.1890 30.20	1.1882 30.20	35000	23200	1.049
W210PPB4	2	1.2598 32.00	1.1800 29.97	3.5433 90.00		1.1890 30.20	1.1890 30.20	35000	23200	0.846
W210PPB6	1	1.2598 32.00	1.1800 29.97	3.5433 90.00		1.1890 30.20	1.4370 36.50	35000	23200	0.733
W211PP3	4	1.6535 42.00	1.5311 38.89	3.9370 100.00		1.3126 33.30	1.3126 33.30	62100	44800	1.271
W211PPB3	2	1.6535 42.00	1.5311 38.89	3.9370 100.00		1.3126 33.30	1.3126 33.30	35000	23200	1.208
W211PP5	3	1.6535 42.00	1.5311 38.89	4.0000 101.60		1.4370 36.50	1.7500 44.45	43300	29200	1.302
W211PPB6	5	1.6535 42.00	1.5311 38.89	4.0772 103.56	4.1299 104.90	1.4370 36.50	1.7500 44.45	47700	32800	1.610
4509BA	3	1.3504 34.30	1.2900 32.77	3.3465 85.00		1.1890 30.20	1.3976 35.50			0.782



Bearing NO.	Type	Dimensions (in. / mm)					Dynamic load ratings (N)	Static load ratings (N)	Weight (kg)
		d ₁	H	D	C	B			
204KPP2	3	0.7970 20.24	0.6950 17.65	1.8504 47	0.5510 14	0.8250 20.96	12800	6650	0.34
204KRR2	1	0.7970 20.24	0.6950 17.65	1.8504 47	0.5510 14	0.8250 20.96	12800	6650	0.32
204KRRB2	2	0.7970 20.24	0.6950 17.65	1.8504 47	0.5510 14	0.8250 20.96	12800	6650	0.32
204KPPB2	4	0.7970 20.24	0.6950 17.65	1.8504 47	0.5510 14	0.8250 20.96	12800	6650	0.32
205KPP2	3	1.0120 25.70	0.8760 22.25	2.0470 52	0.5910 15	1.0000 25.40	14000	7850	0.47
205KRR2	1	1.0120 25.70	0.8760 22.25	2.0470 52	0.5910 15	1.0000 25.40	14000	7850	0.44
205KPPB2	4	1.0120 25.70	0.8760 22.25	2.0470 52	0.5910 15	1.0000 25.40	14000	7850	0.47
205KRRB2	2	1.0120 25.70	0.8760 22.25	2.0470 52	0.5910 15	1.0000 25.40	14000	7850	0.44
206KRR6	1	1.1520 29.26	1.0010 25.43	2.4409 62	0.6300 16	0.9450 24.00	19450	11250	0.75
206KRRB6	2	1.1520 29.26	1.0010 25.43	2.4409 62	0.6300 16	0.9450 24.00	19450	11250	0.75
G207KPPB2	4	1.2980 32.97	1.2600 28.60	2.8346 72	0.7480 19	1.4840 37.70	25700	15200	1.10
207KRRB9	2	1.2980 32.97	1.2600 28.60	2.8346 72	0.6690 17	1.4840 37.70	25700	15200	1.00
207KRRB12	2	1.2980 32.97	1.2600 28.60	2.8346 72	0.6690 17	0.9840 25.00	25700	15200	0.87
207KPPB3	4	1.4429 36.65	1.2512 31.78	2.8346 72	0.6690 17	1.4840 37.70	25700	15200	0.87
207KPP3	3	1.4429 36.65	1.2512 31.78	2.8346 72	0.6690 17	0.9840 25.00	25700	15200	0.87
GW208PPB22	4	1.4500 36.83	1.2550 31.88	3.1496 80	0.8270 21	1.4370 36.50	29500	18100	1.50
W208KRRB6	2	1.5870 40.30	1.3760 34.95	3.1496 80	0.8270 21	1.4370 36.50	29500	18100	1.31
W208PPB16	4	1.4429 36.65	1.2512 31.78	3.1496 80	0.7090 18	1.4370 36.50	29500	18100	1.45
W208PP21	3	1.4429 36.65	1.2512 31.78	3.1496 80	0.7090 18	1.4370 36.50	29500	18100	1.45
G209KPPB2	4	1.7300 43.94	1.5010 38.13	3.3465 85	0.7490 19	1.1810 30.00	32700	20900	1.26
209KRRB2	2	1.7300 43.94	1.5010 38.13	3.3465 85	0.7490 19	1.1810 30.00	32700	20900	1.27
210PPB20	4	1.4500 36.83	1.2550 31.88	3.5433 90	0.8661 22	1.4370 36.50	35000	23200	2.00
210PP20	3	1.4500 36.83	1.2550 31.88	3.5433 90	0.8661 22	1.4370 36.50	35000	23200	2.05
G210KPPB2	4	1.7300 43.94	1.5010 38.13	3.5433 90	0.8611 22	1.1811 30.00	35000	23200	1.89
GC211-32-NLC	3	2.0200 51.31	1.7510 44.48	3.9370 100	0.9840 25	2.2500 57.15	43300	29200	3.35



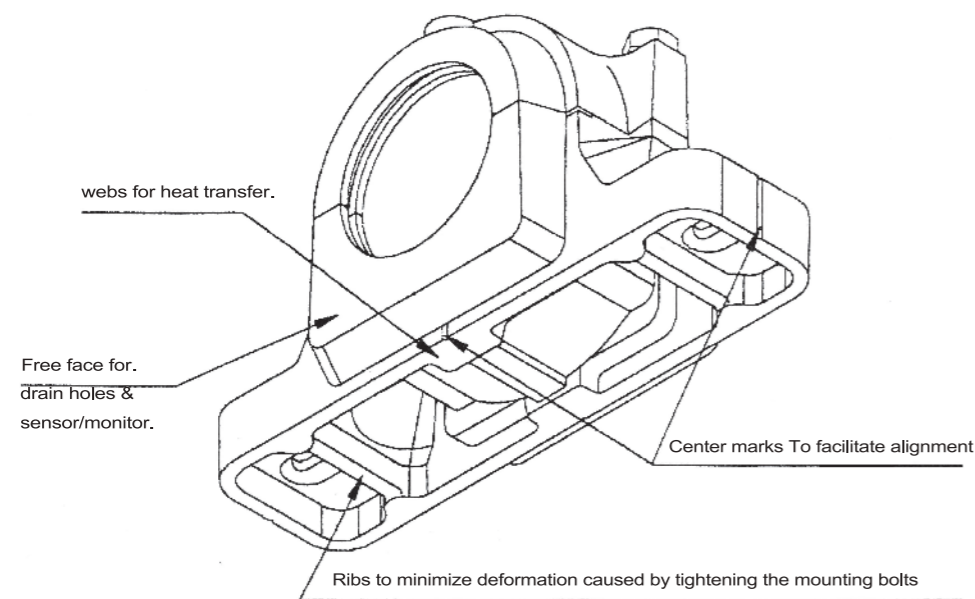
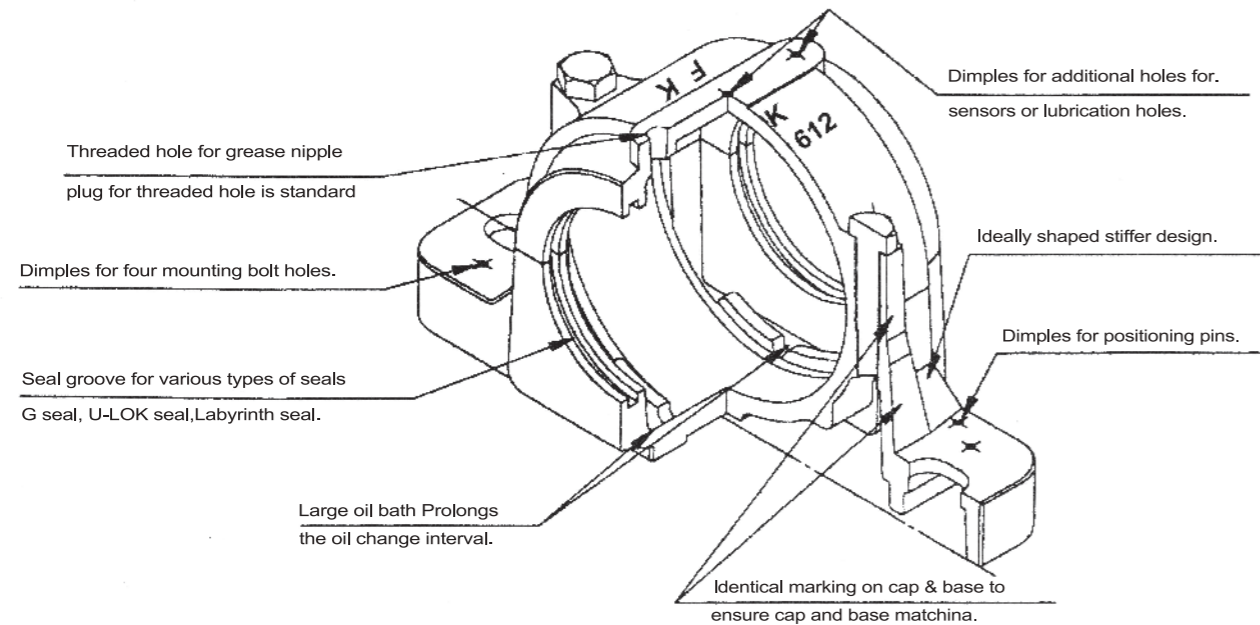
Bearing NO.	Type	Dimensions (in. /mm)						Dynamic load ratings (N)	Static load ratings (N)	Weight (kg)
		d ₁	H	D	C	B	h			
GW208PPB5	2	1.2598	1.1800	3.1490	0.9450	1.4370	0.2520	29500	18100	0.635
		32.00	29.97	80.00	24.00	36.50	6.40			
GW208PPB6	2	1.0945	1.0300	3.1490	0.9450	1.4370	0.2520	29500	18100	0.762
		27.80	26.16	80.00	24.00	36.50	6.40			
GW208PPB8	2	1.2598	1.1800	3.1490	0.9450	1.1890	0.2520	29500	18100	0.658
		32.00	29.97	80.00	24.00	30.20	6.40			
GW209PPB5	2	1.3504	1.2900	3.3465	1.1890	1.4370	0.2598	32700	20900	0.795
		34.30	32.77	85.00	30.20	36.50	6.60			
GW209PPB8	2	1.3504	1.2900	3.3465	0.8661	1.4370	0.2598	32700	20900	0.749
		34.30	32.77	85.00	22.00	36.50	6.60			
GW209PPB17	2	1.2600	1.1800	3.3155	1.1890	1.4370	0.2598	32700	20900	1.922
		32.00	29.97	85.74	30.20	36.50	6.60			
GW210PPB4	1	1.2598	1.1800	3.5433	1.1890	1.1890	0.2598	35000	23200	0.840
		32.00	29.97	90.00	30.20	30.20	6.60			
GW211PP3	4	1.6535	1.5311	3.9370	1.3126	1.3126	0.2992	43300	29200	1.106
		42.00	38.89	100.00	33.30	33.30	7.60			
GW211PPB3	1	1.6535	1.5311	3.9370	1.3126	1.3126	0.2992	43300	29200	1.036
		42.00	38.89	100.00	33.30	33.30	7.60			
GW211PP5	3	1.6535	1.5311	4.0000	1.4370	1.7500	0.2992	43300	29200	1.302
		42.00	38.89	101.60	36.50	44.45	7.60			
GW211PP17	3	1.6535	1.5311	3.9370	1.3126	1.7500	0.2992	43300	29200	1.252
		42.00	38.89	100.00	33.30	44.45	7.60			
GW214PPB4	1	2.1610	2.0550	4.9213	1.5630	1.5630	0.3543	62100	44800	2.157
		54.90	52.20	125.00	39.70	39.70	9.00			



Bearing NO.	Dimensions (mm / in.)											Dynamic load ratings (N)	Static load ratings (N)
	d	d ₁	H	a	B	m	t	C	s	S ₁	S ₂		
ST209-1-1/8	...	32.0	29.972	127.0	42.8	42	6	127.0	13.5	13.5	17.45	32700	20900
ST209-30S	...	34.5	31.353	127.0	42.8	42	6	127.0	13.5	13.5	17.45	32700	20900
ST209-1-1/4	...	34.5	32.766	127.0	42.8	42	6	127.0	13.5	13.5	17.45	32700	20900
ST491B	38.860	127.0	42.8	42	6	127.0	13.5	13.5	17.45	32700	20900
ST209-40R	40.878	127.0	42.8	42	6	127.0	13.5	13.5	17.45	32700	20900
ST491A	45.000	127.0	42.8	42	6	127.0	13.5	13.5	17.45	32700	20900
ST209-45R	45.340	127.0	42.8	42	6	127.0	13.5	13.5	17.45	32700	20900
ST491AD	45.000	121.0	46.0	42	6	121.0	13.5	32700	20900
ST211-1-1/2	...	42.0	38.890	139.7	50.8	46	8	139.7	13.5	13.5	17.45	43300	29200
ST211-40S	...	43.1	40.878	139.7	50.8	46	8	139.7	13.5	13.5	17.45	43300	29200
ST211-50R	50.400	139.7	50.8	46	8	139.7	13.5	13.5	17.45	43300	29200
ST211-55R	55.575	139.7	50.8	46	8	139.7	13.5	13.5	17.45	43300	29200
ST211-1-3/4	45.212	139.7	55.6	46	8	139.7	13.5	13.5	17.45	43300	29200
ST211-2-3/16	55.575	139.7	55.6	46	8	139.7	13.5	13.5	17.45	43300	29200
ST211-1-15/16	49.238	139.7	69.9	46	8	139.7	13.5	13.5	17.45	43300	29200
ST211	55.000	139.7	55.6	46	8	139.7	13.5	13.5	17.45	43300	29200
ST740	55.562	139.7	55.6	45	7	139.7	13.5	13.5	17.45	43300	29200

FK PLUMMER BLOCK HOUSINGS

1. STRUCTURE OF FK PLUMMER BLOCK HOUSINGS SNU



FK Plummer Block Housing in the catalog are cast and produced in accordance with the ISO/R113-1994 standard. (B.S. 1642: 1969 standard, JIS B 1551 - 1968 standard)

The following tables show the standardization of materials and relative machining tolerance covering the housings and its accessories.

2. MATERIALS OF PLUMMER BLOCK HOUSINGS

2.1 Materials of Housings

Material	ISO Code	U.S.Code	Tensile Strength kgf/mm ²	Yield Strength kgf/mm ²	Elongation
Cast Iron	Grade 200 (FC 200)	Astm A48 Grade 30	20	-	-
Ductile Iron(S.G.)	Grade 450-10 (FCD 450)	Astm A536 Grade 65-45-12	45	30	10%
Cast Steel	Grade 230-450 (SC 460)	Astm A27 Grade 65-35	46	23	19%

2.2 Materials of Accessories

Name	PART NO.	MATERIALS
Felt strip	FS	60%-80% wool,20% rayon,density 0.25g/cm ²
Locating ring	SR	Mild steel strip aisi 1010/al umnum
Hexagon bolt	M	Mild steel aisi 1010
ZF seal	ZF	NBR
SC seal	OSM	NBR
U-Lok seal	U-500/U-600	NBR
Tsng seal	TSNG500	Thermoplastic polyurethane
Labyrinth seal	TS/LER	Cast ironaluminum/steel
Taconite carrier	TAC/TER/TACK	Cast iron
End cover	500NA/600NA	NBR&Mild steel plate
End plate	P	Mild steel plate
End cover	TSA	Cast iron
End plug	EPR	NBR&Mild steel
V-ring seal	TSNIA-A	NBR&Mild steel
Eye-bolt	W/M	Mild steel aisi 1010

Declaration:Weights listed in this catalog are subject to change without notice.

3. ACCURACY OF PLUMMER BLOCK HOUSINGS

3.1 Machine Tolerance of Housings Bore (0.001mm)

BORE mm	G7	H7	H8	J7
10-18	+24 +6	+18 -0	+27 -0	+10 -8
18-30	+28 +7	+21 -0	+33 -0	+12 -9
30-50	+34 +9	+25 -0	+39 -0	+14 -11
50-80	+40 +10	+30 -0	+46 -0	+18 -12
80-120	+42 +12	+35 -0	+54 -0	+22 -13
120-180	+54 +14	+40 -0	+63 -0	+26 -14
180-250	+61 +15	+46 -0	+72 -0	+30 -16
250-315	+69 +17	+52 -0	+81 -0	+36 -16
315-400	+75 +18	+57 -0	+89 -0	+39 -18
400-500	+83 +20	+63 -0	+97 -0	+43 -20
500-620	+92 +23	+69 -0	+104 -0	+46 -23

3.2 Except Housings Bore

DIMENSION mm	H10	H11	H12	H13	h13
10-18	+70 -0	+110 -0	+180 -0	+270 -0	+0 -270
18-30	+84 -0	+130 -0	+210 -0	+330 -0	+0 -330
30-50	+100 -0	+160 -0	+250 -0	+390 -0	+0 -390
50-80	+120 -0	+190 -0	+300 -0	+460 -0	+0 -460
80-120	+140 -0	+220 -0	+350 -0	+540 -0	+0 -540
120-180	+160 -0	+250 -0	+400 -0	+630 -0	+0 -630
180-250	+185 -0	+290 -0	+460 -0	+720 -0	+0 -720
250-315	+210 -0	+320 -0	+520 -0	+810 -0	+0 -810
315-400	+230 -0	+360 -0	+570 -0	+890 -0	+0 -890

3.3 Selection of Bearing Housing Tolerances

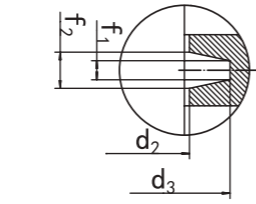
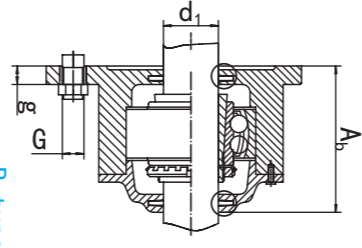
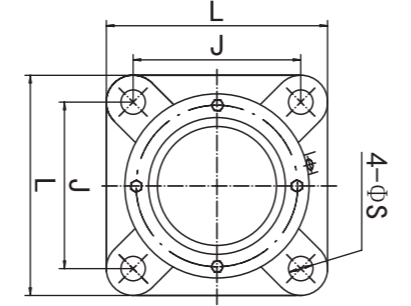
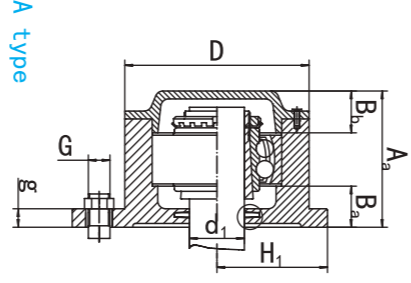
Conditions	Examples	Tolerance symbol according to ISA
Indeterminate load direction	Normal and light loads, Axial displacement of the outer ring desirable	Electrical motors, Pumps, Crankshaft main bearings
Fixed outer ring load	Shock loads, Temporary complete unloading	Journal boxes for rail vehicles
	All loads	Bearing applications in general, Journal boxes for rail vehicles
	Normal and light loads, Loads under simple operating conditions	Line shaftings
	Heat supplied through the shaft	Dryer cylinders

Bearing Units

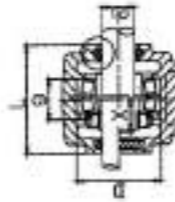
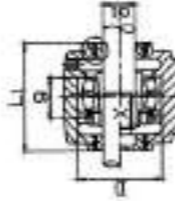
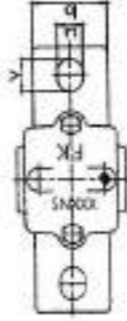
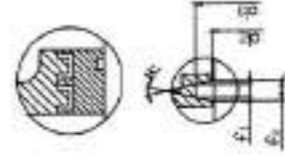
Bearing NO.	DA/DB	Dimensions (mm)										Locating Ring Number	Locating Ring QTY	wt(kg)										
		d1	Aa	Ab	g	Ba	Bb	D	H	H1	J			L	S	f1	f2	d2	d3	G	DA	DB		
722505DA 722505DB		20	51.5	56.5	10	15	12.5	75	100	38.0	96	110	11.5	3	4.2	21.5	31	M10	H205	FRB5x52	1	1	1.48	1.55
722506DA 722506DB		25	57.0	59.5	12	16	15.0	86	117	44.0	116	130	11.5	4	5.4	26.5	38	M10	H305	ZW42x52	1	1	2.00	2.10
722507DA 722507DB		30	59.5	63.5	12	16	14.5	97	130	48.5	130	145	14.0	4	5.4	31.5	43	M12	H306	ZW50x62	1	1	2.90	3.00
722508DA 722508DB		35	64.0	65.5	12	17	18.0	108	143	54.0	140	160	14.0	4	5.4	36.5	48	M12	H207	FRB8x72	1	1	3.43	3.48
722509DA 722509DB		40	64.5	69.5	12	19	16.5	113	160	60.0	160	180	14.0	4	5.4	41.5	53	M12	H307	ZW65x72	1	1	4.20	4.45
722510DA 722510DB		45	68.5	73.0	15	22	17.5	118	160	60.0	160	180	14.0	4	5.4	46.5	58	M12	H308	ZW70x80	1	1	4.20	4.30
722511DA 722511DB		50	75.5	81.5	15	24	19.5	128	172	65.0	170	192	14.0	5	6.8	51.5	67	M12	H208	FRB6x85	1	1	5.25	5.45
722512DA 722512DB		55	77.0	82.0	15	23	19.0	142	189	72.0	180	210	14.0	5	6.8	56.5	72	M12	H309	ZW75x85	1	1	6.80	7.15
722513DA 722513DB		60	80.0	86.0	15	22	20.0	152	203	78.0	190	225	14.0	5	6.8	62.0	77	M12	H309	ZW75x85	1	1	7.65	7.80

Bearing Units

Bearing NO.	Dimensions (mm)												Bearing No.	Adapter Sleeve	Locating Ring Number	Qty	wt(kg)				
	A/B	d1	Aa	Ab	g	Ba	Bb	D	H1	J	L	S						f1	f2	d2	d3
722515A 722515B		65	100	107	25	30	23	168	95	152	190	18	5	6.8	66.5	82	M16	H215K H215K	FRB8x130 FRB10x130	2 1	10.55 10.85
722516A 722516B		70	102	114	25	31	22	176	98	152	196	18	6	8.1	71.5	89	M16	H216K H316	FRB8.5x140 FRB10x140	2 1	12.30 12.70
722517A 722517B		75	107	115	25	31	24	188	105	170	210	22	6	8.1	76.5	94	M16	H217K H317	FRB9x150 FRB10x150	2 1	14.75 15.50
722518A 722518B		80	112	119	25	30	25	198	105	170	210	22	6	8.1	81.5	99	M16	H218K H318	FRB10x160 FRB10x160	2 1	16.35 17.00
722520A 722520B		90	124	134	30	30	31	224	125	198	250	22	7	9.3	92.0	111	M20	H220K H320	FRB11x180 FRB10x180	2 1	22.30 22.90
722522A 722522B		100	134	137	30	30	33	246	135	219	270	22	8	10.8	102.0	125	M20	H222K H322	FRB12.5x200 FRB10x200	2 1	28.30 27.80



Plummer Housings



005SNS

005SN

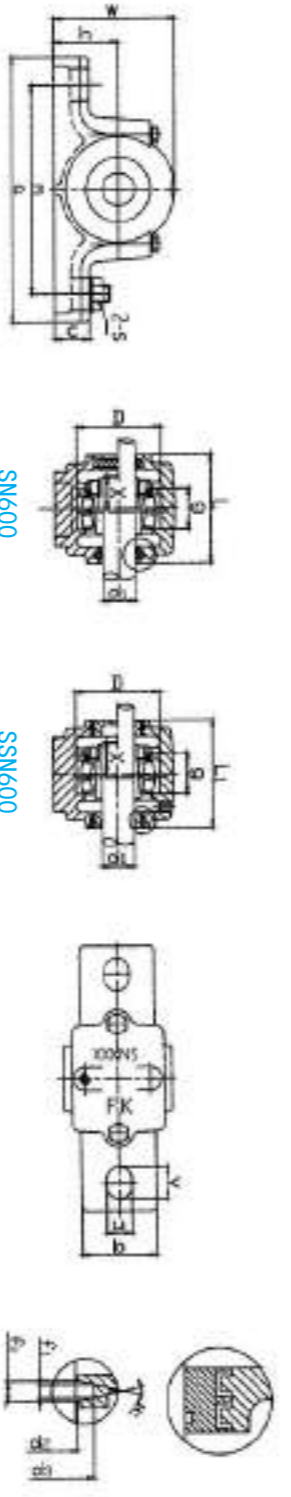
Housing NO.	Locating Ring Number	Qty	wt (kg)	Adapter Sleeve	Bearing No.	Dimensions (in. / mm)																									
						f2	f1	fp	cp	zp	X	V	U	S	W	M	T1	T	U	C	q	a	b	D	tp						
SN505	SR52x5	2	1.40	HE205	22205K	4.2	3.0	13	5.2	21.5	22	22	22	22	20	20	22	M12	130	52	70	67	40	22	22	94	591	0.52	25	4/8	20
905NS	SR52x7	1	2.15	HE206	22206K	4.5	4.0	38	5.92	22	22	22	22	22	20	20	22	M12	151	68	80	77	05	22	22	581	0.03	29	1	52	
405NS	SR72x8	1	2.35	HE207	22207K	4.5	4.0	43	5.15	24	24	24	24	24	20	20	24	M12	150	66	88	82	05	22	22	581	0.33	27	8/1-1	30	
805NS	SR80x7.5	2	3.20	HE208	22208K	4.5	4.0	48	5.93	28	28	28	28	28	20	20	28	M12	170	109	90	88	09	25	25	502	0.33	80	4/1-1	35	
605NS	SR85x5.5	2	3.00	HE209	22209K	4.5	4.0	53	5.41	28	28	28	28	28	20	20	28	M12	111	111	90	85	09	25	25	502	0.33	58	1/2	40	
015NS	SR90x9.5	2	3.75	HE210	22210K	4.5	4.0	58	5.94	32	32	32	32	32	20	20	32	M12	171	111	90	90	09	25	25	502	0.33	96	4/3-1	44	
115NS	SR100x8	2	5.30	HE211	22211K	4.9	5.0	67	5.15	30	30	30	30	30	22	22	30	M19	210	129	100	96	07	28	28	522	0.33	100	2	50	
215NS	SR110x8	2	7.15	HE212	22212K	4.9	5.0	72	5.65	32	32	32	32	32	22	22	32	M19	210	141	111	101	07	30	30	522	0.38	111	4/9-2/3	55	
315NS	SR120x10	2	6.80	HE213	22213K	4.8	5.0	77	6.20	36	36	36	36	36	22	22	36	M19	230	150	111	111	08	30	30	522	0.37	121	4/1-1	69	
415NS	SR130x8	2	6.30	HE214	22214K	4.8	5.0	82	6.70	38	38	38	38	38	22	22	38	M19	230	155	120	111	08	30	30	522	0.38	131	4/2-1/2	59	
515NS	SR140x8.5	2	11.4	HE216	22216K	8.1	9.0	89	7.20	40	40	40	40	40	22	22	40	M20	290	151	121	121	06	32	32	512	0.37	141	4/3-2	70	
615NS	SR150x10	2	14.5	HE217	22217K	8.1	9.0	94	7.70	42	42	42	42	42	22	22	42	M20	260	131	131	121	06	32	32	522	0.49	151	3	57	
715NS	SR160x16.2	2	17.0	HE218	22218K	8.1	9.0	99	8.20	50	50	50	50	50	22	22	50	M20	290	161	151	141	06	35	35	542	0.49	161	4/1-3	80	
815NS	SR170x10.5	2	20.2	HE219	22219K	8.1	9.0	104	8.70	52	52	52	52	52	22	22	52	M20	290	151	141	141	06	35	35	542	0.35	171		85	
915NS	SR180x12.1	2	23.0	HE220	22220K	9.3	7.0	111	9.20	54	54	54	54	54	26	26	54	M24	320	171	171	161	11	40	40	542	0.70	181	1/2	90	
020NS	SR200x13.5	2	27.5	HE222	22222K	10.8	8.0	125	10.20	60	60	60	60	60	26	26	60	M24	350	180	180	181	12	45	45	542	0.98	200	1/2	100	
222NS	SR200x10	2	35.0	HE223	23223K	10.7	8.0	135	11.30	69	69	69	69	69	26	26	69	M24	350	168	190	181	12	45	45	542	0.98	215	4/1-4	111	
425NS	SR230x13	2	41.0	HE226	23226K	10.7	8.0	140	11.80	69	69	69	69	69	28	28	69	M24	380	287	190	190	12	45	45	542	0.90	230	2/1-4	111	
525NS	SR250x15	2	49.0	HE228	23228K	12.2	9.0	154	12.80	70	70	70	70	70	33	33	70	M30	420	302	210	210	12	50	50	505	0.98	250	5	121	
625NS	SR270x16.5	2	60.0	HE230	23230K	12.2	9.0	164	13.80	76	76	76	76	76	33	33	76	M30	450	322	225	225	12	60	60	530	0.90	270	4/1-5	135	
750NS	SR270x10	2	75.0	HE233	23233K	13.7	10.0	173	14.30	80	80	80	80	80	33	33	80	M30	470	344	240	235	12	60	60	555	0.41	290	1/2	140	

NOTES: 1. Foot of standard housing SSN type is solid without mounting holes or can be precast as 2-bolt (with prefix T) or 4-bolt mounting holes (with prefix F). 2. Taconite seal will be supplied as optional for perfect arrangement in severe operating conditions to prevent contamination from fine abrasive dust. 3. ZF rubber seals can be supplied upon request.

Plummer Housings

Housing NO.	Dimensions (mm / in.)																	Bearing No.	Adapter Sleeve	Locating Ring Number	wt (kg)				
	d1	D	g	a	b	c	h	L	L1	W	m	s	u	v	x	d2	d3					f1	f2		
SN605	20	3/4	62	34	185	52	22	50	80	83	92	150	M12	15	20	27	21.5	31	3.0	4.2	H305	HE305	SR62x8.5	2	2.10
SN606	25	1	72	37	185	52	22	50	82	85	97	150	M12	15	20	27	26.5	38	4.0	5.4	H306	HE306	SR72x9	2	3.10
SN607	30	1-1/8	80	41	205	60	25	60	90	93	112	70	M12	15	20	32	31.5	43	4.0	5.4	H307	HE307	SR80x10	2	3.73
SN608	35	1-1/4	90	43	205	60	25	60	95	100	117	170	M12	15	20	34	36.5	48	4.0	5.4	H308	HE308	SR90x10	2	4.60
SN609	40	1-1/2	100	46	235	70	28	70	105	110	132	210	M16	18	23	36	41.5	53	4.0	5.4	H309	HE309	SR100x10.5	2	5.70
SN610	45	1-3/4	110	50	255	70	30	80	115	120	137	210	M16	18	23	39	46.5	58	4.0	5.4	H310	HE310	SR110x1.5	2	6.50
SN611	50	2	120	53	275	80	30	80	120	125	150	230	M16	18	23	40	51.5	67	5.0	6.9	H311	HE311	SR120x1.2	2	6.80
SN612	55	2-1/8	130	56	280	80	30	80	125	130	157	230	M16	18	23	44	56.5	72	5.0	6.9	H312	HE312	SR130x12.5	2	8.60
SN613	60	2-1/4	140	58	315	90	32	95	130	135	175	260	M20	22	27	46	62.0	77	5.0	6.8	H313	HE313	SR140x12.5	2	11.1
SN615	65	2-1/2	160	65	345	100	35	100	140	145	195	290	M20	22	27	51	67.0	82	5.0	6.8	H315	HE315	SR160x14	2	15.2
SN616	70	2-3/4	170	68	345	100	35	112	145	150	212	290	M20	22	27	52	72.0	89	6.0	8.1	H316	HE316	SR170x14.5	2	17.8
SN617	75	3	180	70	380	110	40	112	155	160	218	320	M24	26	32	56	77.0	94	6.0	8.1	H317	HE317	SR180x14.5	2	19.5
SN618	80	3-1/4	190	74	400	110	33	112	160	165	226	320	M24	26	32	58	82.0	99	6.0	8.1	H318	HE318	SR190x15.5	2	25.3
SN619	85		200	77	420	120	36	125	170	175	245	350	M24	26	32	60	87.0	104	6.0	8.1	H319	HE319	SR200x16	2	27.0
SN620	90	3-1/2	215	83	420	120	38	140	175	180	275	350	M24	26	35	64	92.0	111	7.0	9.3	H320	HE320	SR215x18	2	32.3
SN622	100	4	240	90	460	130	40	150	190	195	300	390	M24	28	38	69	102.0	125	8.0	10.8	H322	HE322	SR240x20	2	43.4
SN624	110	4-1/4	260	96	540	160	50	160	205	210	320	450	M30	33	42	73	113.0	135	8.0	10.7	H324	HE324	SR260x10	2	54.6
SN626	115	4-1/2	280	103	560	160	50	170	215	220	345	470	M30	33	42	77	118.0	140	8.0	10.7	H326	HE326	SR280x10	2	67.2
SN628	125	5	300	112	630	170	55	180	235	240	370	520	M30	35	45	83	128.0	154	9.0	12.2	H328	HE328	SR300x10	2	92.6
SN630	135	5-1/4	320	118	680	180	55	190	245	250	390	560	M30	35	45	88	138.0	164	9.0	12.2	H330	HE330	SR320x10	2	101.5
SN632	140	5-1/2	340	124	710	190	60	200	255	260	410	580	M36	42	52	93	143.0	173	10.0	13.7	H332	HE332	SR340x10	2	113.0
SN632	140	5-1/2	340	124	710	190	60	200	255	260	410	580	M36	42	52	93	143.0	173	10.0	13.7	H332	HE332	SR340x10	1	122.3
SN632	140	5-1/2	340	124	710	190	60	200	255	260	410	580	M36	42	52	93	143.0	173	10.0	13.7	H332	HE332	SR340x10	2	135.6

NOTE: 1. Foot of standard housing SSN type is solid without mounting holes or can be precast as 2-bolt (with prefix T) or 4-bolt mounting holes (with prefix F). 2. Taconite seal will be supplied as optional for perfect arrangement in severe operating conditions to prevent contamination from fine abrasive dust. 3. ZF rubber seals can be supplied upon request.



Plummer Housings

Housing NO.	Dimensions (mm / in.)																	Bearing No.	Adapter Sleeve	Locating Ring Number	wt (kg)			
	d1	D	g	a	b	c	h	L	L1	W	m	s	u	v	x	d2	d3					f1	f2	
SNU505	20	3/4	62	34	185	52	22	50	80	83	92	150	M12	15	20	27	21.5	31	3.0	4.2	H205	SR52x5	2	1.90
SNU506	25	1	72	37	185	52	22	50	82	85	97	150	M12	15	20	27	26.5	38	4.0	5.4	H206	SR62x5	2	2.20
SNU507	30	1-1/8	80	41	205	60	25	60	90	93	112	70	M12	15	20	32	31.5	43	4.0	5.4	H207	SR72x8.5	2	2.40
SNU508	35	1-1/4	90	43	205	60	25	60	95	100	117	170	M12	15	20	34	36.5	48	4.0	5.4	H208	SR72x5.5	2	3.20
SNU509	40	1-1/2	100	46	235	70	28	70	105	110	132	210	M16	18	23	36	41.5	53	4.0	5.4	H209	SR85x5.5	2	3.50
SNU510	45	1-3/4	110	50	255	70	30	80	115	120	137	210	M16	18	23	39	46.5	58	4.0	5.4	H210	SR80x8	2	3.85
SNU511	50	2	120	53	275	80	30	80	120	125	150	230	M16	18	23	40	51.5	67	5.0	6.9	H211	SR85x7	2	5.20
SNU512	55	2-1/8	130	56	280	80	30	80	125	130	157	230	M16	18	23	44	56.5	72	5.0	6.9	H212	SR90x10.5	2	6.70
SNU513	60	2-1/4	140	58	315	90	32	95	130	135	175	260	M20	22	27	46	62.0	77	5.0	6.8	H213	SR90x9	2	7.90
SNU515	65	2-1/2	160	65	345	100	35	100	140	145	195	290	M20	22	27	51	67.0	82	5.0	6.8	H215	SR100x11.5	2	11.0
SNU516	70	2-3/4	170	68	345	100	35	112	145	150	212	290	M20	22	27	52	72.0	89	6.0	8.1	H216	SR100x9.5	2	12.7
SNU517	75	3	180	70	380	110	40	112	155	160	218	320	M24	26	32	56	77.0	94	6.0	8.1	H217	SR110x13	2	14.8
SNU518	80	3-1/4	190	74	400	110	33	112	160	165	226	320	M24	26	32	58	82.0	99	6.0	8.1	H218	SR110x10	2	15.5
SNU519	85		200	77	420	120	36	125	170	175	245	350	M24	26	32	60	87.0	104	6.0	8.1	H219	SR120x12.5	2	18.4
SNU520	90	3-1/2	215	83	420	120	38	140	175	180	275	350	M24	26	35	64	92.0	111	7.0	9.3	H220	SR120x10	2	24.8
SNU522	100	4	240	90	460	130	40	150	190	195	300	390	M24	28	38	69	102.0	125	8.0	10.8	H222	SR170x18	2	32.2
SNU524	110	4-1/4	260	96	540	160	50	160	205	210	320	450	M30	33	42	73	113.0	135	8.0	10.7	H224	SR170x15.5	2	39.8
SNU526	115	4-1/2	280	103	560	160	50	170	215	220	345	470	M30	33	42	77	118.0	140	8.0	10.7	H226	SR180x16	2	48.8
SNU528	125	5	300	112	630	170	55	180	235	240	370	520	M30	35	45	83	128.0	154	9.0	12.2	H228	SR180x12	2	56.5
SNU530	135	5-1/4	320	118	680	180	55	190	245	250	390	560	M30	35	45	88	138.0	164	9.0	12.2	H230	SR180x15	2	63.5
SNU532	140	5-1/2	340	124	710	190	60	200	255	260	410	580	M36	42	52	93	143.0	173	10.0	13.7	H232	SR200x13.5	2	85.0
SNU532	140	5-1/2	340	124	710	190	60	200	255	260	410	580	M36	42	52	93	143.0	173	10.0	13.7	H232	SR200x10.2	1	101.5
SNU532	140	5-1/2	340	124	710	190	60	200	255	260	410	580	M36	42	52	93	143.0	173	10.0	13.7	H232	SR215x14	2	113.0
SNU532	140	5-1/2	340	124	710	190	60	200	255	260	410	580	M36	42	52	93	143.0	173	10.0	13.7	H232	SR230x10	2	122.3
SNU532	140	5-1/2	340	124	710	190	60	200	255	260	410	580	M36	42	52	93	143.0	173	10.0	13.7	H232	SR230x13	2	135.6
SNU532	140	5-1/2	340	124	710	190	60	200	255	260	410	580	M36	42	52	93	143.0	173	10.0	13.7	H232	SR250x15	2	151.1
SNU532	140	5-1/2	340	124	710	190	60	200	255	260	410	580	M36	42	52	93	143.0	173	10.0	13.7	H232	SR270x16.5	2	170.2
SNU532	140	5-1/2	340	124	710	190	60	200	255	260	410	580	M36	42	52	93	143.0	173	10.0	13.7	H232	SR290x17	2	185.5
SNU532	140	5-1/2	340	124	710	190	60	200	255	260	410	580	M36	42	52	93	143.0	173	10.0	13.7	H232	SR290x10	1	200.0
SNU532	140	5-1/2	340	124	710	190	60	200	255	260	410	580	M36	42	52	93	143.0	173	10.0	13.7	H232	SR290x17	2	215.2
SNU532	140	5-1/2	340	124	710	190	60	200	255	260	410	580	M36	42	52	93	143.0	173	10.0	13.7	H232	SR290x17	1	230.0
SNU532	140	5-1/2	340	124	710	190	60	200	255	260	410													

Bearing Unit Interchange

Ball Bearing Unit Interchange

Description	FK	SKF MRC	INA	RHP	NSK	NTN	Asahi	FYH	Nachi	Koyo	Browning	Dodge	Fafnir	Hub City	PTCI	Remord Link Belt	MBM/Gill	Peer	Sealmaster	
Insert Bearings	UC205-16	YAR205-100-2E	G1100KR88	1025-1G	UC205-165	UC205-100D1W3	UC205-16	UC205-16	UC205-16R	UC205-16	US-216	INS-SC-100	G1100KR88	VW250-1	UC205-16	UG216NL	MB-25-1	UC205-16	Z-1	
	UC205-16	YEL205-100-2E	G1100KR88	1025-1DECG	EMR205-165	UC205-100D1W3	UC205-16	MA205-16	UC205-16R	MA205-16	US-216	INS-SM-100	G1100KR88	VW220-1	UC205-16	YG216NL	MB-35-1	UC205-16	R-16E	
	UC205-16			1030-1G	UC205-165	UC205-100D1	UC205-16	UC205-16	UC205-16	UC205-16	US-216	INS-SCM-100	G1100KR88	B330-1	UC205-16				3-1	
	SER205-16		EA-16	1125-1CG	UC205-165	UC205-100D1NR	SER205-16	BR205-16	SER205-16	BR205-16	US-216	INS-VSC-100	GA100R88	B230-1	UC205-16	SG216EL	BR-16	SER-16	EA-16	
	SER205-16		YA1205-100	GA100MP8	UC205-165	AS205-100	BR-16	SER205-16	BR205-16	SER205-16	US-116	INS-VSC-100	GA100R88	B230-1	SER205-165					V-16
	SER205-16		YET205-100	GRA100MP8	UC205-165	AS205-100	BR-16	SER205-16	BR205-16	SER205-16	US-116	INS-SM-100	GA100R88	B230-1	SER205-166	WG216UL				V-16E
	SA205-16		RA100MP	1325-1ECG	EMR205-165	UC205-100	KH205-16	SA205-16	KH205-16A	UC205-16	US-116	INS-SM-100	RA100R		SA205-16G	WB216UL				SL-16E
	CU205-16		G1100KR	1125-1	UC205-165	UC205-100D1	UC205-16	RB205-16	UC205-16	UC205-16	US-116	INS-SM-100	G1100KR		CU205-16	UG216NL				SL-16E
	HC205-16		1100KR	1125-1DECG	CUA205-16	UC205-100W3	CUA205-16	CUA205-16	CUA205-16	CUA205-16	US-116	INS-SM-100	G1100KR		CUA205-16	YB216NL				HC205-16
	CS205	1276205-28S1		1276205-28S	CS205DU	CS205LU	NA305	NA305	NA305	NA305	US-205	INS-DC-100								HC205
CS305	1276305-28S1		1276305-28S	CS305DU	CS305LU	CS305Z				US-205										
UC205				UC2055	UC205DU	UC205	UC205	UC205	UC205	US-205										
UC205				UC2055	UC205DU	UC205	UC205	UC205	UC205	US-205										
UC205				UC2055	UC205DU	UC205	UC205	UC205	UC205	US-205										
UC205				UC2055	UC205DU	UC205	UC205	UC205	UC205	US-205										
UC205				UC2055	UC205DU	UC205	UC205	UC205	UC205	US-205										
UC205				UC2055	UC205DU	UC205	UC205	UC205	UC205	US-205										
UC205				UC2055	UC205DU	UC205	UC205	UC205	UC205	US-205										
UC205				UC2055	UC205DU	UC205	UC205	UC205	UC205	US-205										
UC205				UC2055	UC205DU	UC205	UC205	UC205	UC205	US-205										
UC205				UC2055	UC205DU	UC205	UC205	UC205	UC205	US-205										
UC205				UC2055	UC205DU	UC205	UC205	UC205	UC205	US-205										
UC205				UC2055	UC205DU	UC205	UC205	UC205	UC205	US-205										
UC205				UC2055	UC205DU	UC205	UC205	UC205	UC205	US-205										
UC205				UC2055	UC205DU	UC205	UC205	UC205	UC205	US-205										
UC205				UC2055	UC205DU	UC205	UC205	UC205	UC205	US-205										
UC205				UC2055	UC205DU	UC205	UC205	UC205	UC205	US-205										
UC205				UC2055	UC205DU	UC205	UC205	UC205	UC205	US-205										
UC205				UC2055	UC205DU	UC205	UC205	UC205	UC205	US-205										
UC205				UC2055	UC205DU	UC205	UC205	UC205	UC205	US-205										
UC205				UC2055	UC205DU	UC205	UC205	UC205	UC205	US-205										
UC205				UC2055	UC205DU	UC205	UC205	UC205	UC205	US-205										
UC205				UC2055	UC205DU	UC205	UC205	UC205	UC205	US-205										
UC205				UC2055	UC205DU	UC205	UC205	UC205	UC205	US-205										
UC205				UC2055	UC205DU	UC205	UC205	UC205	UC205	US-205										
UC205				UC2055	UC205DU	UC205	UC205	UC205	UC205	US-205										
UC205				UC2055	UC205DU	UC205	UC205	UC205	UC205	US-205										
UC205				UC2055	UC205DU	UC205	UC205	UC205	UC205	US-205										
UC205				UC2055	UC205DU	UC205	UC205	UC205	UC205	US-205										
UC205				UC2055	UC205DU	UC205	UC205	UC205	UC205	US-205										
UC205				UC2055	UC205DU	UC205	UC205	UC205	UC205	US-205										
UC205				UC2055	UC205DU	UC205	UC205	UC205	UC205	US-205										
UC205				UC2055	UC205DU	UC205	UC205	UC205	UC205	US-205										
UC205				UC2055	UC205DU	UC205	UC205	UC205	UC205	US-205										
UC205				UC2055	UC205DU	UC205	UC205	UC205	UC205	US-205										
UC205				UC2055	UC205DU	UC205	UC205	UC205	UC205	US-205										
UC205				UC2055	UC205DU	UC205	UC205	UC205	UC205	US-205										
UC205				UC2055	UC205DU	UC205	UC205	UC205	UC205	US-205										
UC205				UC2055	UC205DU	UC205	UC205	UC205	UC205	US-205										
UC205				UC2055	UC205DU	UC205	UC205	UC205	UC205	US-205										
UC205				UC2055	UC205DU	UC205	UC205	UC205	UC205	US-205										
UC205				UC2055	UC205DU	UC205	UC205	UC205	UC205	US-205										
UC205				UC2055	UC205DU	UC205	UC205	UC205	UC205	US-205										
UC205				UC2055	UC205DU	UC205	UC205	UC205	UC205	US-205										
UC205				UC2055	UC205DU	UC205	UC205	UC205	UC205	US-205										
UC205				UC2055	UC205DU	UC205	UC205	UC205	UC205	US-205										
UC205				UC2055	UC205DU	UC205	UC205	UC205	UC205	US-205										
UC205				UC2055	UC205DU	UC205	UC205	UC205	UC205	US-205										
UC205				UC2055	UC205DU	UC205	UC205	UC205	UC205	US-205										
UC205				UC2055	UC205DU	UC205	UC205	UC205	UC205	US-205										
UC205				UC2055	UC205DU	UC205	UC205	UC205	UC205	US-205										
UC205				UC2055	UC205DU	UC205	UC205	UC205	UC205	US-205										
UC205				UC2055	UC205DU	UC205	UC205	UC205	UC205	US-205										
UC205				UC2055	UC205DU	UC205	UC205	UC205	UC205	US-205										
UC205				UC2055	UC205DU	UC205	UC205	UC205	UC205	US-205										
UC205				UC2055	UC205DU	UC205	UC205	UC205	UC205	US-205										
UC205				UC2055	UC205DU	UC205	UC205	UC205	UC205	US-205										
UC205				UC2055	UC205DU	UC205	UC205	UC205	UC205	US-205										
UC205				UC2055	UC205DU	UC205	UC205	UC205	UC205	US-205										
UC205				UC2055	UC205DU	UC205	UC205	UC205	UC205	US-205										
UC205				UC2055	UC205DU	UC205	UC205	UC205	UC205	US-205										
UC205				UC2055	UC205DU	UC205	UC205	UC205	UC205	US-205										
UC205				UC2055	UC205DU	UC205	UC205	UC205	UC205	US-205										
UC205				UC2055	UC205DU	UC205	UC205	UC205	UC205	US-205										
UC205				UC2055	UC205DU	UC205	UC205	UC205	UC205	US-205										



FK GENERAL PRODUCTS


Best Selling Brand
18+ million sets per year






FK Products

Cover 200K M² WHOLE INDUSTRY CHAIN AUTOMATIC PRODUCTION BASE
MORE STABLE QUALITY, AGILE DELIVERY
 20万平米全产业链自动化生产基地
 更稳定的质量，更敏捷的交期



Casting parts



Back seal



Cap



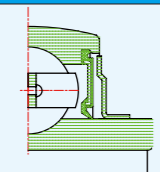
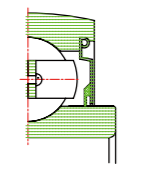
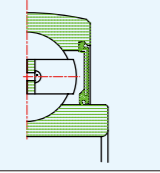
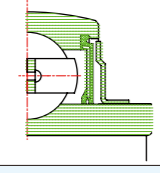
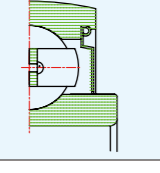
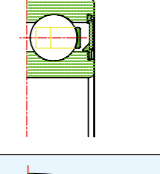
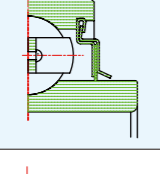
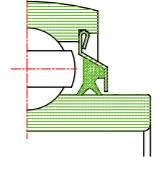
Adapter sleeve

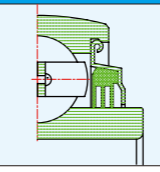
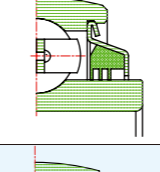
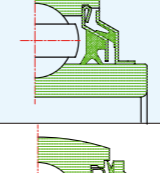
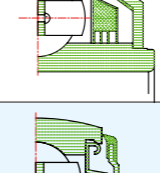
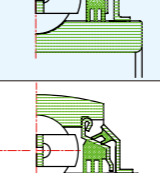
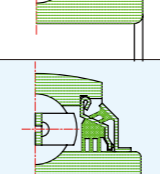
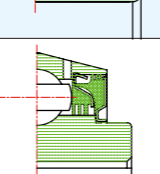
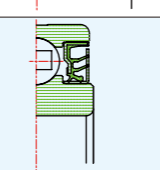



FK-HS 高速静音 High speed&Mute	FK-FJ 风机 Air handling	FK-MF 免维护 Maintenance free Long life	FK-AT 自由旋转 Low torque rotation	FK-HT 高温 HT400°C HT260°C HT200°C LT-40°C	FK 标准 Standard products 37 series insert bearings 77 series housings	FK-Agri 农机轴承 AG bearings	FK-C 定制 Customized	FK-HUB 轮毂单元 AG HUB UNITS	FK-QJ 四点接触 4 points contact hub units	FK-SS 不锈系列 Stainless steel Plastic Silver	FK-SN 剖分式 Plummer Blocks SN/SNU/SNL/ SD/722500	FK-CR 耐腐蚀 High Corrosion Resistant <Instead of SS>	MZD 低速低载 Economic Bearing Units



FK外球面轴承密封总览 / FK Insert Bearing seals-Range overview

代号 Code	图形 Figure	唇数 Seal lip	转速 Max speed	防护能力 Protection	寿命 Life	产品示例 Example
SL		1	★★★★★	★★	★★	UC200
H		1	★★★★★	★★	★	SA200
J		1	★★★★★	★	★	SB200
RZ		0	★★★★★	★★	★★	UC200-2RZ
ZZ		0	★★★★★	★	★	SB200-ZZ
RST		1	★★★★★	★★★★	★★★★	3204-RST
F		1	★★★★	★★	★★	UC200-F
M		2	★★★★	★★★★	★★★★	UC206-M

代号 Code	图形 Figure	唇数 Seal lip	转速 Max speed	防护能力 Protection	寿命 Life	产品示例 Example
L3		3	★★★	★★★	★★★	UC200-L3
F3		3	★★	★★★	★★★★	UC200-F3
RH		3	★★	★★★★	★★★★	MF-UC206-RH
AGRI		4	★★	★★★★	★★★★	UC205-AGRI
X4		4	★★	★★★★	★★★★	B1-UC204
X5		5	★	★★★★★	★★★★★	B3-UC210
X6		6	★	★★★★★	★★★★★	MF-UCF212-L6
X7		7	★	★★★★★	★★★★★	FD209
MS		4	★	★★★★★	★★★★★	B1-QJ204



FK New Generation Factory

Automatic production of Whole Industry Chain Floor area total 166,800 sqm

FK新一代工厂

占地166800平方,全产业链自动化生产



Raw material storage

168 sizes steel tube stock location

原材料库存

168种型号钢管库存



Production/生产

Monthly capacity 2 millions set insert bearing rings automatic turning line
 自动车加工月产200万套外球面轴承套圈



Automatic grinding line
 自动磨加工生产线



AICHELIN, atmosphere roller hearth furnace (salt bath hardening)
 爱协林可控气氛辊底式炉热处理生产线(盐浴淬火)



12 x automatic assembly line
 12条自动外球面轴承装配线





5 x automatic casting line / 5条自动造型铸造线



UCP/F/FL automatic assembly & packing line / UCP/UCF/UCFL带座轴承自动装配包装生产线



P/F/FL/FC/PA automatic machining line
P/F/FL/FC/PA 轴承座自动机加工生产线



Finished product storage

4000 European pallet for schedule order stock

成品库存

4000个欧洲标准托盘库存，供客户计划订单用





■ FK BEARING SOLUTIONS FOR AGRICULTURAL MACHINE(farming, forestry, animal husbandry and fishery/ every stage of the crop cycle)
 FK农业机械轴承应用解决方案 (农林牧渔:耕种管收储全过程)



■ Solutions for seeding/播种



■ Solutions for tillage/松土



■ Solutions for combine harvesting/收获





■ Solutions for Silage Making/青储



■ Solutions for Baling/打捆



■ Agricultural Dryer/烘干



■ Agricultural Products Storage/储存





FK高速静音带座轴承

FK HIGH SPEED & MUTE BEARING UNITS

- 替代进口 ■ 降本增效
- Substitutes for premium brand
- Cost reduction and efficiency increase

HS:8000rpm
AC:4000rpm
FJ:2000rpm



FK免维护带座轴承应用解决方案

FK MAINTENANCE FREE BEARING UNITS SOLUTIONS





FK自动化与智能化应用带座轴承解决方案

FK BEARING UNITS SOLUTIONS FOR AUTOMATIC AND INTELLIGENT APPLICATION



FK耐腐蚀带座轴承解决方案

FK CORROSION RESISTANT BEARING UNITS SOLUTIONS





FK高温带座轴承解决方案

FK HIGH TEMPERATURE BEARING UNITS

- 替代进口 ■ 降本增效
- Substitutes for premium brand
- Cost reduction and efficiency increase

HT40: 400 °C
HT26: 260 °C
HT20: 200 °C
LT40: -40 °C



FK不锈钢带座轴承解决方案

FK STAINLESS STEEL BEARING UNITS SOLUTIONS

- 食品级别 ■ 更易清洗
- FOOD GRADE
- EASY CLEAN





FK剖分式带座轴承

FK Plummer Block Bearing Units

- 替代进口 ■ 降本增效
- Substitutes for premium brand
- Cost reduction and efficiency increase

AC-SNU5: 风机级别
铝制定位圈
TPU制密封圈
AC-SNU5: AC Grade
Aluminium Locating Ring
TPU Seal



FK汽车检测线专用带座轴承解决方案

FK BEARING SOLUTIONS FOR THE AUTOMOTIVE TESTING AND INSPECTION LINE





FK养殖行业带座轴承解决方案

FK BEARING UNITS SOLUTIONS FOR STOCKBREEDING



FK新能源行业带座轴承解决方案

FK BEARING UNITS SOLUTIONS FOR NEW ENERGY APPLICATION

- 替代进口 ■ 降本增效
- Substitutes for premium brand
- Cost reduction and efficiency increase

符合锂电池产业对材料的要求
Meet the material requirements of lithium battery industry





FK各种不同的外球面轴承
FK All kinds of insert bearings



FK各种不同材料的轴承座
FK All kinds of housings

FK
带座轴承
销量连续多年领先
年产销1800+万套

FK
Bearing Units
Best Selling Brand
18+ million sets per year



FK
带座轴承
销量连续多年领先
年产销1800+万套

FK
Bearing Units
Best Selling Brand
18+ million sets per year



Solutions for Agriculture



FK BEARING SOLUTIONS FOR AGRICULTURE

Challenge and demand of agricultural industry

No two farms are the same, but agricultural machines endure many similar challenging conditions, like heavy shock loads and harsh environment. Due to the fact that agricultural industry is very much controlled by the seasons with limited time windows for critical operations within the crop cycle, agricultural machines need to be extremely reliable with high availability during work period. Therefore, it is critical to reduce maintenance routine and unplanned downtime.

About FK

Since 1969, FK Bearing is a leading manufacturer of bearing units and agricultural bearing. With a strong focus on the agriculture industry, FK develops, manufactures and delivers agricultural bearing to original agricultural machinery manufacturers. No matter what agricultural equipment you are using, if it has a rotating component, FK can provide matched bearing. FK agricultural bearings are used in the whole agricultural production cycle, help OEMs and farmers reduce downtime and maintenance cost, and keep equipment running smoothly.

FK BEARING SOLUTIONS FOR ALL AGRICULTURAL MACHINES
TILLAGE > SEEDING > FERTILIZING > HARVESTING > BALING

Disclaimer

FK BEARING SOLUTIONS FOR AGRICULTURE provides a representative overview of the agricultural range available from FK. We have made every effort to ensure the accuracy of the information provided in this catalog, the data included in this catalog is constantly updated, FK assumes no responsibility for any errors in this catalog.

For more information, please visit FK website www.fk-bearing.com or contact us via export@fk-bearing.com.

Content



FK Agri Hub Bearing Units

FK Disk Harrow Bearing Units

FK Harrow Bearing

Round Bore Non-relube

Round Bore Relube

Square Bore Non-relube

Square Bore Relube

Hex bore

FK Double Row Angular Contact Ball Bearing

FK Special Agri Bearing

FK Special Agri Bearing Units

FK Agri Hub Bearing Units

Why we need Agri Hub Bearing ?

The Agri Hub Bearing is an easy mounting and integrated solution for agricultural machine, which is greased and sealed. The Agri Hub Bearing consists of a high capacity bearing or angular bearing pair enclosed in a well-sealed flanged housing. The flange is usually pre-drilled and the shafts threaded to allow quick and easy assembly to farming implement arm.

Application

Very harsh environment: mud, water, dust and crop residues, high moment load, heavy impact load and stone impact.

Disc speed: 90-350RPM

Tractor speed: up to 20km/h

Benefits from FK Agri Hub Bearing

Cost reduction

Easy mounting and dismounting

Relubrication-free

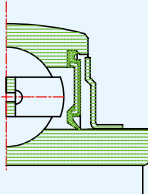
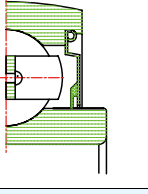
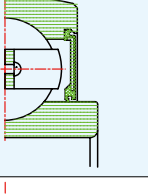
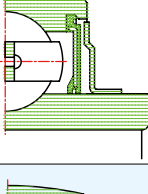
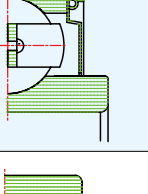
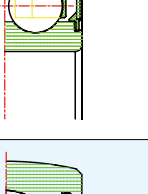
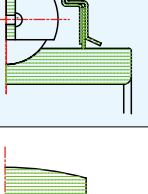
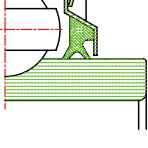
High reliability

Long service life

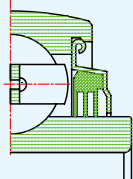
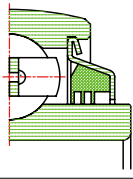
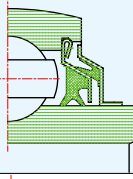
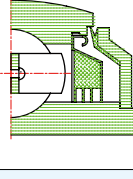
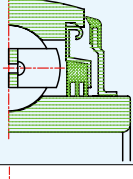
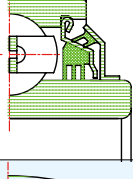
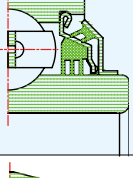
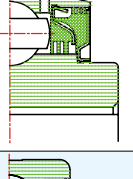
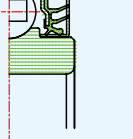
Interchangeable with competitor

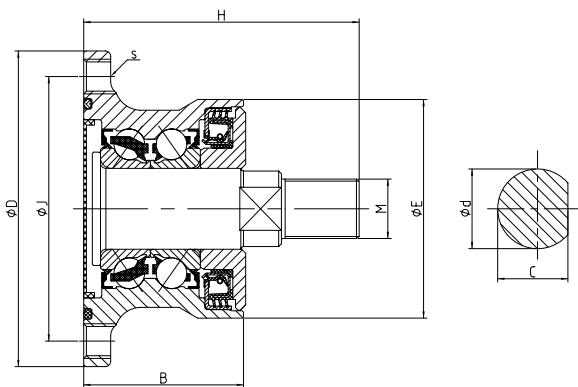


FK Sealing Type Overview

Code	Figure	Seal lip	Max speed	Protection	Life	Example
SL		1	★★★★	★★	★★	UC200
H		1	★★★★	★★	★	SA200
J		1	★★★★	★	★	SB200
RZ		0	★★★★★	★★	★★	UC200-2RZ
ZZ		0	★★★★★	★	★	SB200-ZZ
RST		1	★★★★	★★★	★★★	3204-RST
F		1	★★★	★★	★★	UC200-F
M		2	★★★	★★★	★★★	UC206-M

FK Sealing Type Overview

Code	Figure	Seal lip	Max speed	Protection	Life	Example
L3		3	★★★	★★★★	★★★★	UC200-L3
F3		3	★★	★★★★	★★★★★	UC200-F3
RH		3	★★	★★★★★	★★★★★	MF-UC206-RH
AGRI		4	★★	★★★★★	★★★★★	UC205-AGRI
X4		4	★★	★★★★★	★★★★★	B1-UC204
X5		5	★	★★★★★★	★★★★★★	B3-UC210
X6		6	★	★★★★★★	★★★★★★	MF-UCF212-L6
X7		7	★	★★★★★★	★★★★★★	FD209
MS		4	★	★★★★★★	★★★★★★	B1-QJ204



FK No.	SKF No.	FKL No.	d	M	J	D	H	B	E	S	C
SAH001	BAA-0005	-	28	M24×1.5	98	117	102	59	81	4-M12×1.25	25.3
SAH002 ³⁾	-	-	30	M16×2	-	120	100	60	81	-	-
SAH004	BAA-0004	IL50	28	M22×1.5	98	117	102	59	81	4-M12×1.25	25.3
SAH004 (A) ¹⁾	-	-	28	M22×1.5	98	117	102	59	81	4-M12×1.25	25.3
SAH004 (B) ²⁾	BAA-0023	-	28	M22×1.5	98	117	102	59	81	4-M12×1.25	25.3
SAH006	BAA-0006	IL50-98/6T-M22 IL2-117-M22-I	28	M22×1.5	98	117	102	59	81	6-M12×1.25	25.3
SAH009	BAA-0009	IL50-98/4T-M24 IL2-117-M24-H	30	M24×2	98	117	106	59	81	4-M12×1.25	27.5
SAH012	BAA-0012	IL50-98/5T-M22 IL2-117-M22-G	28	M22×1.5	98	117	102	59	81	5-M12×1.25	25.3
SAH013	BAA-0013	IL50-98/6T-M24 IL2-117-M24-D	30	M24×2	98	117	106	59	81	6-M12×1.25	27.5

1) Add locking holes at the thread of the shaft

2) Zinc coated end shaft

3) Without holes and O-rings

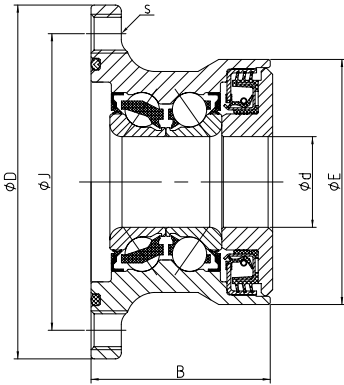
BAA-004 OEM NO. Gregoire Besson 9031.40.12

KOCKERLING 642668/910974

Maschio Gaspardo F06160015R

PROFORGE 1-204-25-0007

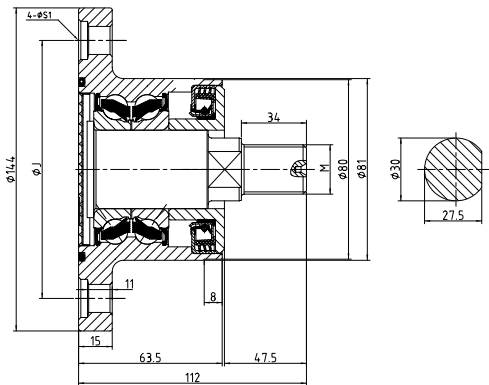
BAA-0013 OEM NO. VOGEL NOOT 750350



FK No.	SKF No.	FKL No.	d	M	J	D	B	E	S
SAH003	BAA-0003	IL50-98/4T-B30/J IL2-117-J	30	-	98	117	59	81	4-M12×1.25
SAH003(A)	BAA-0003A	IL50-98/4T-B30/F IL2-117-F	30	-	98	117	59	81	4-M12×1.25

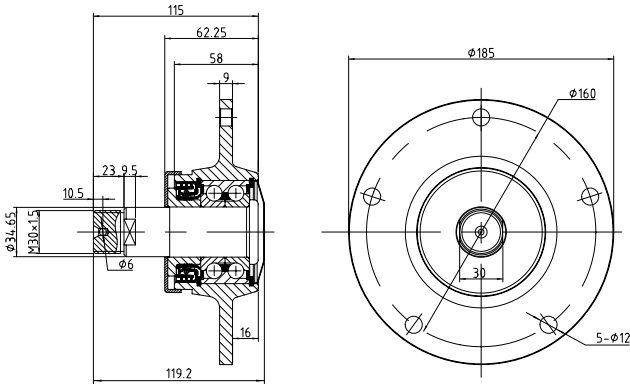
BAA-0003 OEM No. Vaderstad 470974/481460/440488

BAA-003A OEM NO. Vaderstad 152271

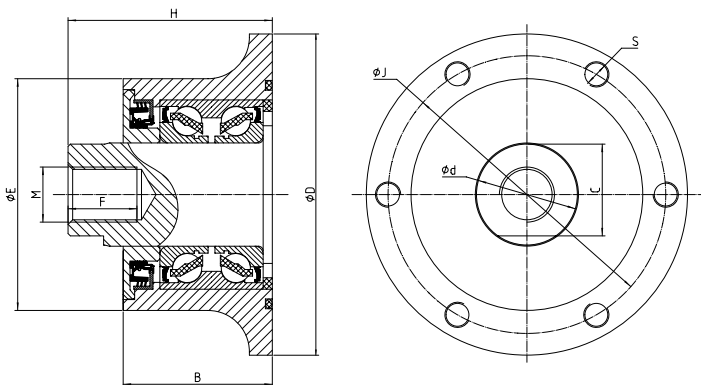


Order part number	SKF No.	FKL No.	d	M	J	S1	S2
SAH005 XP	-	-	30	M24×1.5	115	17	12.5
SAH005 XP(A) ¹⁾	-	-	30	M24×1.5	115	17	12.5

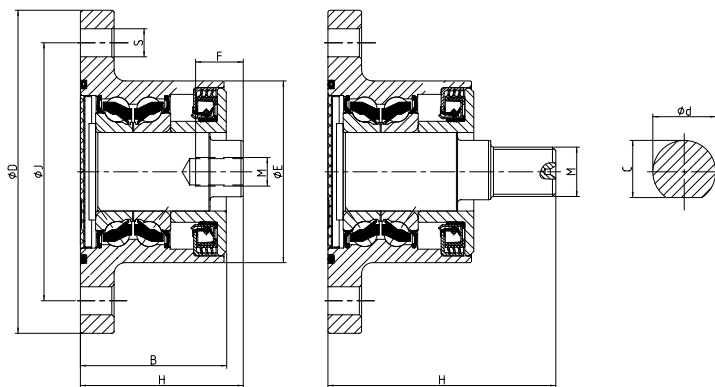
1) Add locking holes at the thread of the shaft



FK No.	Original P/N	FKL No.	d	M	J	S
SAH007	LEMKEN 5554502	PL-185-M30-R	35	M30×1.5	160	12.5
SAH007-L	LEMKEN 5554503	PL-185-M30-L	35	M30×1.5-LH	160	12.5



FK No.	NSK No.	FKL No.	D	J	F	S	M	H	B	d	C	E
SAH018	AHU20120B-01	-	120	100	20	6-M10×1.5	M14×1.5	47.5	37	20	18.5	61.5
SAH019	AHU341208-01	-	120	100	26	6-M10×1.5	M20×1.5	66.45	52.45	34	31	89
SAH020	AHU44140B-01	-	140	122	26	6-M12×1.75	M24×2	79.75	64.8	44	40	100

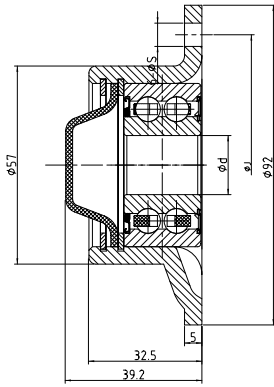


FK No.	SKF or PEER No.	FKL No.	D	J	F	S	M	H	B	d	C	E
SAH008	-	IL50-100/6T-M24.R 5554512 LEMKEN	117	100	-	6-M10×1.25	M24×1.5	97.5	60	30	27	78.5
SAH008-L	-	IL50-100/6T-M24.L 5554513 LEMKEN	117	100	-	6-M10×1.25	M24×1.5-LH	97.5	60	30	27	78.5
SAH010	-	IL60-130/6T-M24	160	130	-	6-M12×1.25	M24×2	121	63	30	28	90
SAH011	HUB-40MM-X- ASSY-A628	IL60-130/6T-M27	160	130	-	6-M12×1.25	M27×2	117.5	63	35	33.5	90
SAH012	-	IL60-130/6T-M30-03	160	130	-	6-M12×1.25	M30×1.5	124	63	36	33.5	90
SAH015	-	-	160	140	-	4-M12×1.25	M27×2	122.5	63	36	33.5	90
SAH015-6H	-	-	160	140	-	6-M12×1.25	M27×2	122.5	63	36	33.5	90
SAH026	BAA-0026 HUB-40MM-X- ASSY-A439	IL60-133/4H-3/4-16UNF	168	133.35	40	4- ϕ 13.5	3/4-16UNF	82	67	34.9	31	90
SAH029	BAA-0029	-	168	133.35	40	4-M12×1.75	3/4-16UNF	82	67	34.9	31	90
SAH030	-	IL60- 130/6T-M30-112-03	160	130	-	6-M12×1.25	M30×1.5	112	63	40	37	90
SAH034	BAA-0014	IL50-105.4T-M24x1.5- RH	145	105	-	4- ϕ 13	M24×1.5	103	60	30	28	78.5
SAH034-L		IL50-105.4T-M24x1.5- RH	145	105	-	4- ϕ 13	M24×1.5-LH	103	60	30	28	78.5
SAH037	BAA-0037	IL60-00-M20x1.5	168	133.35	40	4-M14×1.5	M20×1.5	82	67	34.9	31	90

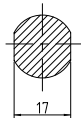
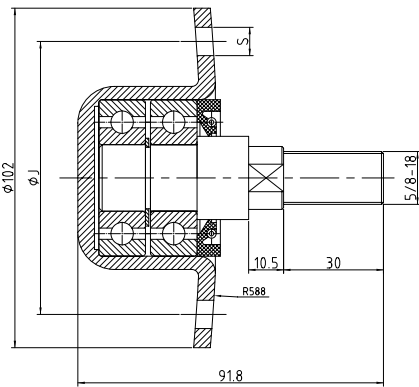
OEM NO. LEMKEN 5554512

OEM NO. LEMKEN 5554513

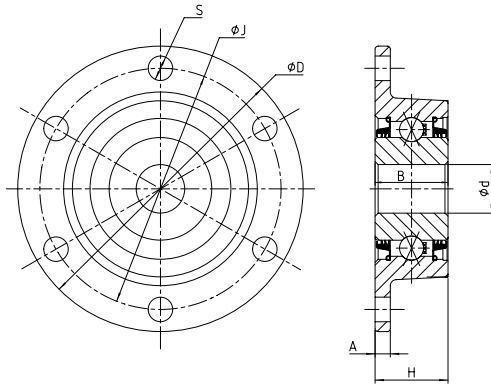
FKL	COMPARATIVE
IL60-130/6T-M27	PEER HUB-40MM-X-ASSY-A628
IL60-133/4H-3/4-16UNF	PEER HUB-40MM-X-ASSY-A439
IL60-140/5T-M27	PEER HUB-40MM-X-ASSY-A436



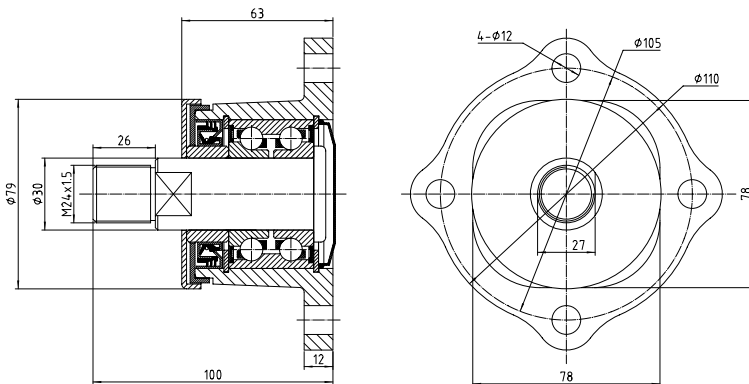
FK No.	SKF No.	FKL No.	d	J	S
SAH7516	ADH7546 B	PL-7516	16	75	6.7
SAH7517	-	PL-7517	17	75	6.7
SAH7520	ADH7546	PL-7520	20	75	6.7



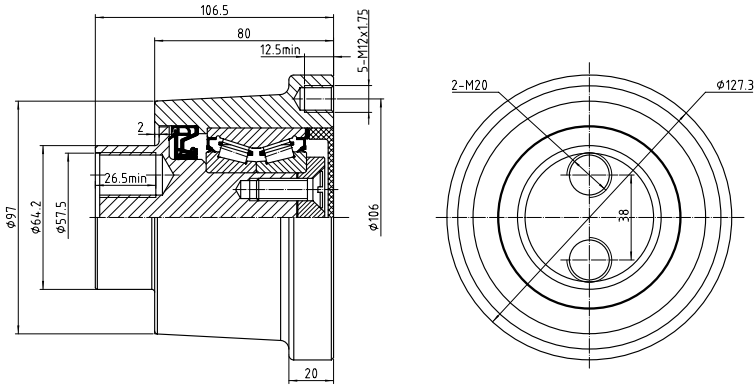
FK No.	SKF No.	FKL No.	d	J	S
SAH9424	-	-	20	85	4- $\phi 8.5$
SAH9426	-	-	20	85	6- $\phi 8.5$



FK No.	OEM No.	FKL No.	D	J	S	d	B	H	A
SAH035	HORSCH 24156400	IL20-73/6H-B16	94	73.5	6-6.5	16	27	24	5
SAH036	-	IL20-75/6H-B16	94	75	6-6.5	16	18	24	5
SAH038	-	IL20-75/6H-B17	94	75	6-6.5	17	18	24	5
SAH039	NWG AHU20091C-01 AHU20091C-02	IL20-75/6H-B20	94	75	6-6.5	20	18	24	5
SAH040	NWG AHU16094C-01	IL20-79/6H-B16	94	79.4	6-8.1	16	24	24	5
SAH041	POTTINGER 8504.33.006.4	IL20-82/5T-B16	108	82	5-M8	16.2	24	24	6
SAH042	-	IL30-98/4T-B30	117	98	4-M12x1.25	30	23.8	23.8	10.5
SAH043	-	IL30-98/5T-B30	117	98	5-M12x1.25	30	23.8	23.8	10.5
SAH044	-	IL30-98/4H-B30	117	98	6-10.0	30	23.8	23.8	10.5



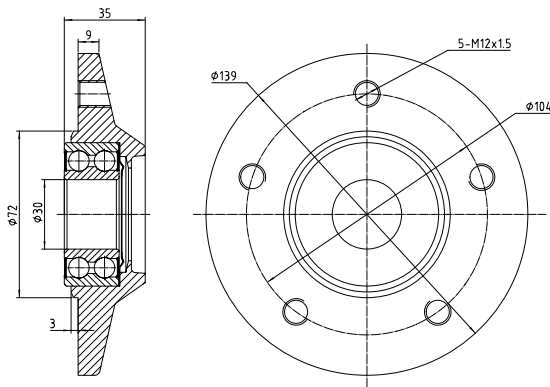
SAH014
 AH014-L



SAH016

FKL NO. PL-127

OEM NO. HORSCH 28071300/28085600/28077800/28077900

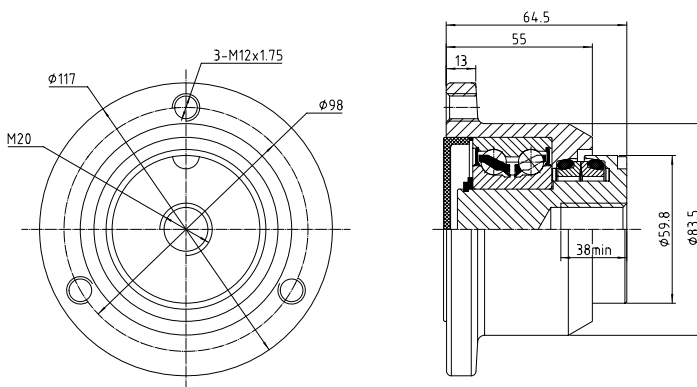


SAH017

FKL NO. PL-140

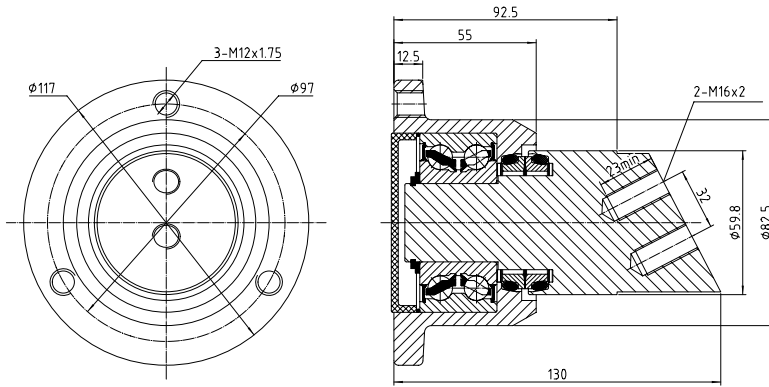
OEM NO. VADERSTAD

420832/418531/420013/405814



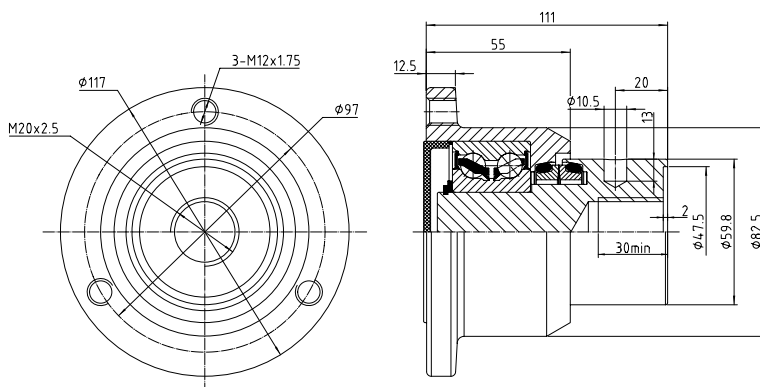
SAH021

OEM NO. HORSCH 35115400



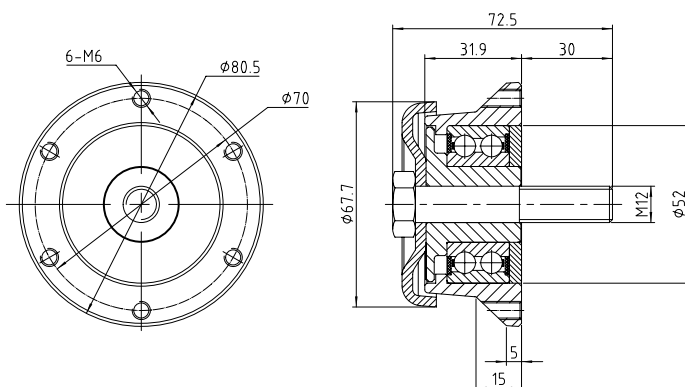
SAH022

OEM NO. HORSCH 34189000

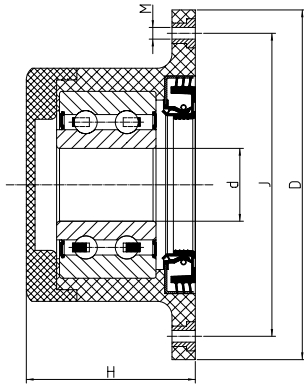


SAH023

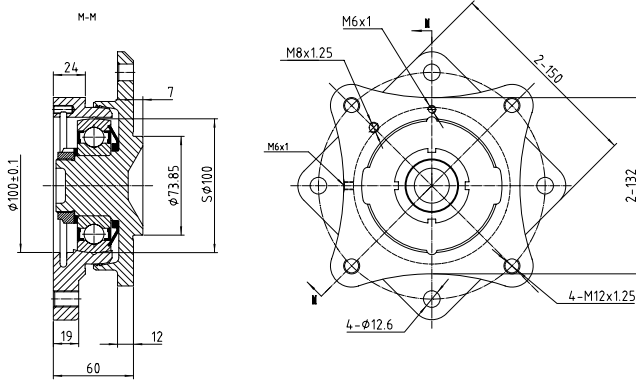
FKL NO. IL50S-98/3T-M20
 OEM NO. HORSCH 23246700/28042000



SAH024



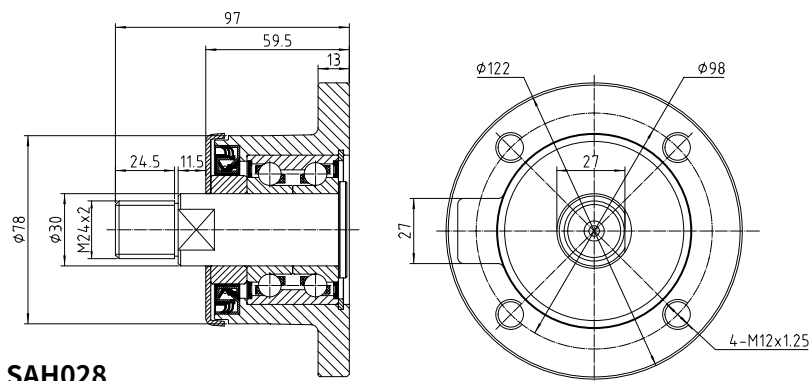
FK No.	SKF No.	FKL No.	d	D	J	H	M
SAH025	BAA-0025	-	30	120	100	41	4-M8x1.25



SAH027

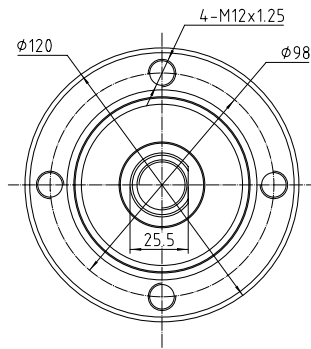
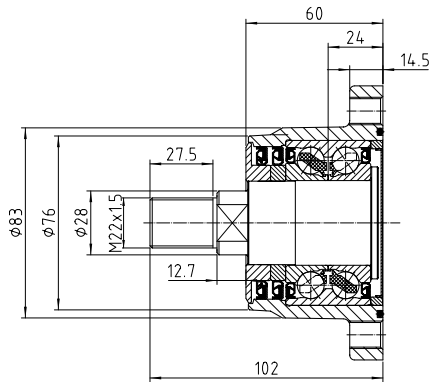
OEM NO. Lemken
 MASCHIO GASPARDO
 Maschio

AQUILA RAPIDO Series, 4600, 5000, 6000, JUMBO Series, 6000, 7000, 8000, MEGA RAPIDO Series, 3000, 3500, 4000, 4500, 5000,
 TORO RAPIDO Series, 4600, 5000, 6000, 7000
 M43400468, MG-43400468, M43400467R

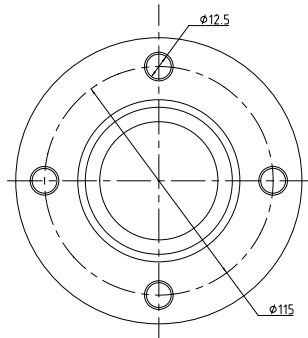
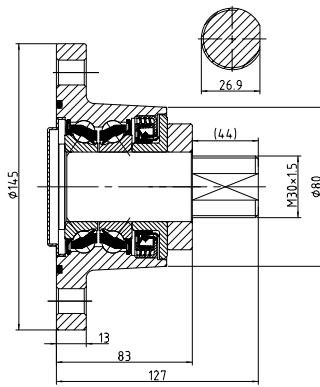


SAH028

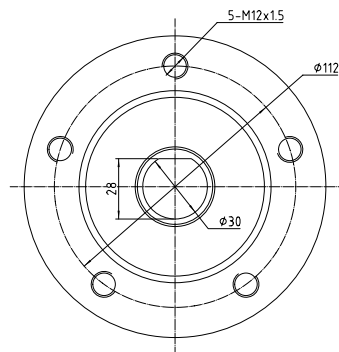
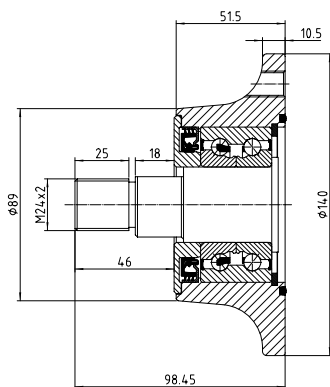
SAH028-L



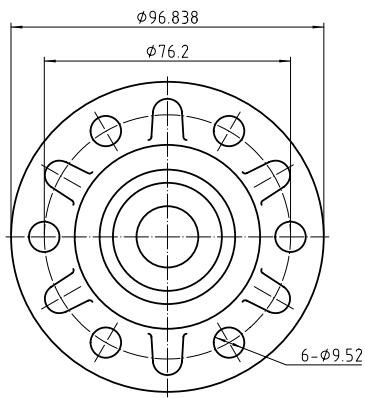
SAH031



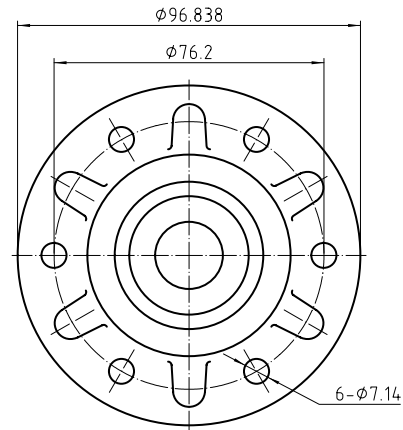
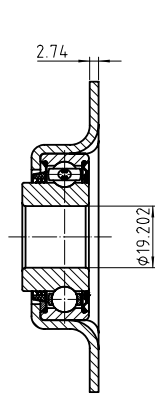
SAH032



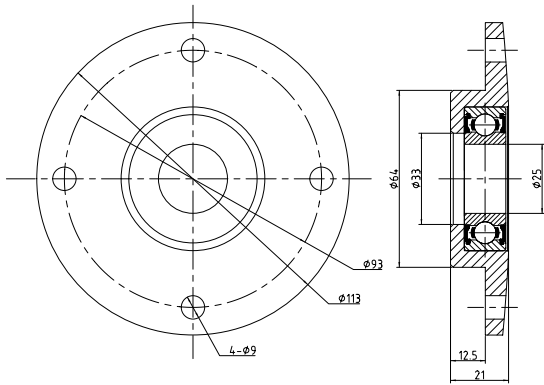
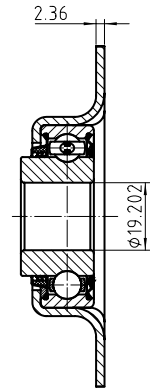
SAH033



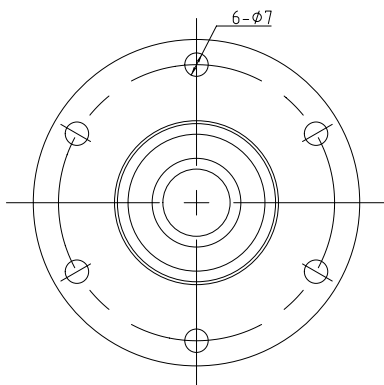
SAH8906



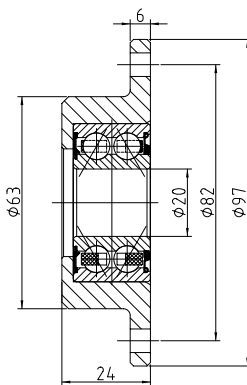
SAH8706



SAH9594

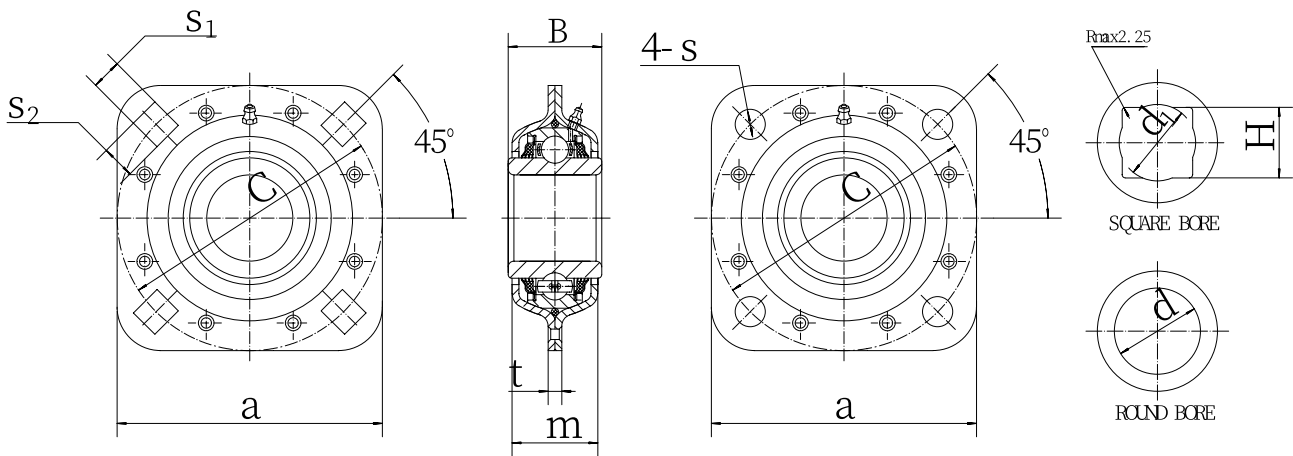


SAH9596

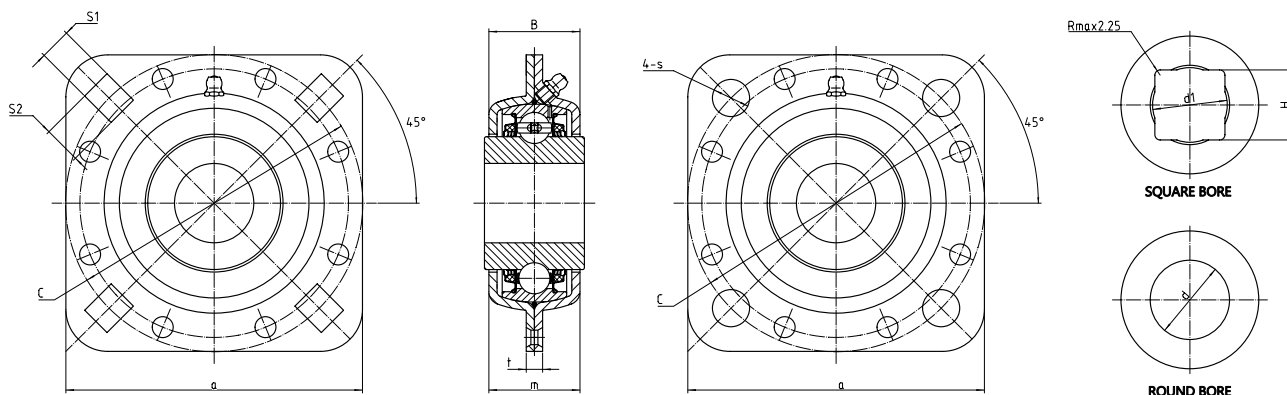


FK Disk Harrow Bearing Units





Unit NO.	Dimensions (mm)											Dynamic load ratings N	Static load ratings N
	H	d	a	B	m	t	C	S	S1	S2	d1		
ST209-1-1/8	29.972	—	127.0	42.8	42	6	127.3	13.5	—	—	32.0	32700	20900
ST209-30S	31.353	—	127.0	42.8	42	6	127.3	13.5	—	—	34.5	32700	20900
ST209-1-1/4	32.766	—	127.0	42.8	42	6	127.3	13.5	—	—	34.5	32700	20900
FD209-1-1/4 SQ SV1	32.850	—	127.0	42.8	42	7	127.3	—	13.5	17.50	34.5	32700	20900
FD209-1-1/8 SQ	28.575	—	127.0	42.8	42	7	127.3	—	13.5	17.50		32700	20900
FD209 X 1-1/4 SV3	32.850	—	127.0	32.1	42	6	127.3	—	13.5	17.50	34.5	32700	20900
B1-FD209	—	38.860	127.0	42.8	42	6	127.3	—	13.5	17.50	—	32700	20900
B2-FD209	32.766	—	127.0	42.8	42	6	127.3	—	13.5	17.50	34.5	32700	20900
FD209RM	29.970	—	127.0	42.8	42	6	127.3	—	13.5	17.50	32.0	32700	20900
ST209-40R	—	40.878	127.0	42.8	42	6	127.3	13.5	—	—	—	32700	20900
ST491A	—	45.000	127.0	42.8	42	6	127.3	13.5	—	—	—	32700	20900
ST491A-I	—	45.000	127.0	42.8	39	7	127.3	13.5	—	—	—	32700	20900
B1-ST491A	—	44.830	127.0	42.8	42	6	127.3	13.5	—	—	—	32700	20900
ST491B	—	38.860	127.0	42.8	42	6	127.3	—	13.5	17.50	—	32700	20900
ST491B-I	—	38.860	127.0	42.8	37	7	127.3	—	13.5	17.50	—	32700	20900
ST491S	—	44.831	127.0	42.8	39	7	127.3	13.5	—	—	—	32700	20900
ST491-SQ30.5	30.500	—	127.0	42.8	42	6	127.3	13.5	—	—	32.500	32700	20900
ST491-SQ30.35	30.226	—	127.0	42.8	42	6	127.3	13.5	—	—	34.100	32700	20900
ST491-SQ31	31.000	—	127.0	42.8	42	6	127.3	13.5	—	—	33.000	32700	20900
ST491-SQ32	32.000	—	127.0	42.8	42	6	127.3	13.5	—	—	34.000	32700	20900
ST491-SQ32	32.000	—	127.0	42.8	42	6	127.3	13.5	—	—	34.000	32700	20900
ST491AD	—	45.000	121.0	46.0	42	6	121.0	13.5	—	—	—	32700	20900
ST209-45R	—	45.340	127.0	42.8	42	6	127.3	13.5	—	—	—	32700	20900
ST211-1-1/2	38.890	—	139.7	50.8	46	8	139.7	13.5	—	—	42.0	43300	29200



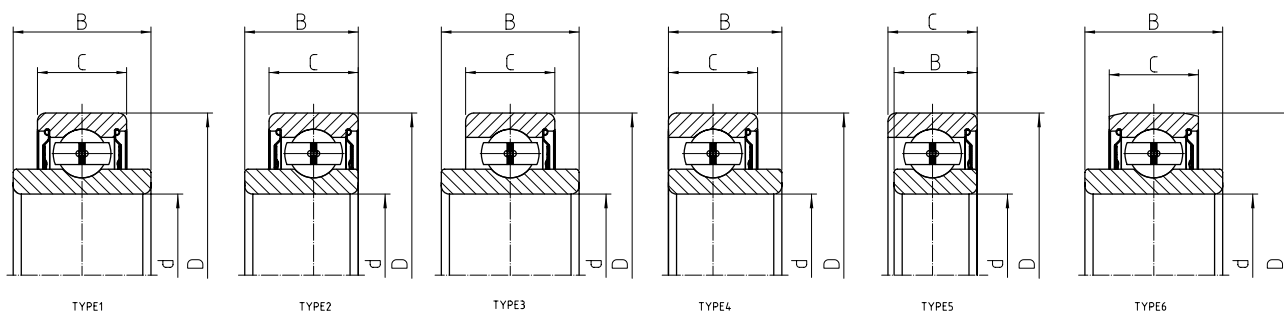
Unit NO.	Dimensions (mm)											Dynamic load ratings N	Static load ratings N
	H	d	a	B	m	t	C	S	S1	S2	d1		
ST211-40S	40.878	—	139.7	50.8	46	8	139.7	13.5	—	—	43.1	43300	29200
ST211-50R	—	50.400	139.7	50.8	46	8	139.7	13.5	—	—	—	43300	29200
ST211-55R	—	55.575	139.7	50.8	46	8	139.7	13.5	—	—	—	43300	29200
ST211-1-3/4	—	45.212	139.7	55.6	46	8	139.7	13.5	—	—	—	43300	29200
ST211-2-3/16	—	55.575	139.7	55.6	46	8	139.7	13.5	—	—	—	43300	29200
ST211-1-15/16	—	49.238	139.7	69.9	46	8	139.7	13.5	—	—	—	43300	29200
ST211	—	55.000	139.7	55.6	46	8	139.7	13.5	—	—	—	43300	29200
FD211RM	38.890	—	139.7	50.8	45	7	139.7	—	13.5	17.50	42.0	43300	29200
FD211-1-1/2-SQ	38.100	—	139.7	50.8	45	7	139.7	—	13.5	17.50	41.5	43300	29200
FD211-1-3/4	—	44.450	139.7	55.6	45	7	139.7	13.5	—	—	—	43300	29200
FD211-1-3/4HX	44.450	—	139.7	55.6	45	7	139.7	13.5	—	—	46.500	43300	29200
FD211-1-15/16	—	49.212	139.7	55.6	45	7	139.7	13.5	—	—	—	43300	29200
FD211-2-3/16	—	55.562	139.7	55.6	45	7	139.7	13.5	—	—	—	43300	29200
ST740	—	55.562	139.7	55.6	45	7	139.7	13.5	—	—	—	43300	29200
ST740S	—	55.575	139.7	55.6	44	7	139.7	13.5	—	—	—	43300	29200
B1-ST740	—	55.575	139.7	55.6	45	7	139.7	13.5	—	—	—	43300	29200
ST740-SQ36.10	36.100	—	139.7	50.8	45	7	139.7	13.5	—	—	39.000	43300	29200
B1-ST740-SQ36.10	36.100	—	139.7	55.6	45	7	139.7	13.5	—	—	39.000	43300	29200
ST740-SQ38.89	38.890	—	139.7	50.8	45	7	139.7	13.5	—	—	42.000	43300	29200
ST740-SQ39.25	39.250	—	139.7	50.8	45	7	139.7	13.5	—	—	43.000	43300	29200
ST740-SQ39.625	39.625	—	139.7	55.6	45	7	139.7	13.5	—	—	43.500	43300	29200
ST740-SQ40.5	40.500	—	139.7	50.8	45	7	139.7	13.5	—	—	44.000	43300	29200
ST740-SQ41	41.000	—	139.7	55.6	45	7	139.7	13.5	—	—	44.500	43300	29200
XF013	—	45.420	175*	42.8	41	6	132.5	13.5	—	—	—	32700	20900

*: Round bearing housing

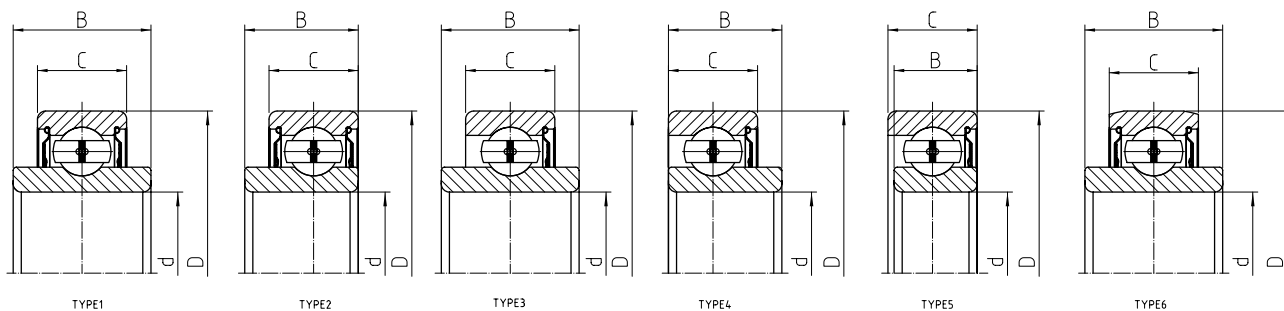
FK
Harrow
Bearing

Round Bore Non-relube





Bearing NO.	Type	Dimensions (in. /mm)				Dynamic load ratings (N)	Static load ratings (N)	Weight (kg)
		d	D	C	B			
203KR2	4	0.625	1.5748	0.472	0.551	12800	6650	0.077
		15.883	40	12	14			
203KRR2	1	0.64	1.5748	0.472	0.72	12800	6650	0.085
		16.256	40	12	18.288			
203KRR5	1	0.515	1.5748	0.472	0.72	12800	6650	0.096
		13.081	40	12	18.288			
203KRR6	1	0.64	1.854	0.472	0.72	12800	6650	0.130
		16.256	47	12	18.288			
203KRR7	1	0.669	1.5748	0.472	0.654	12800	6650	0.079
		17	40	12	16.612			
204KR2	4	0.7505	1.7805	0.61	0.61	12800	6650	0.107
		19.063	45.225	15.494	15.494			
204KRR3	1	0.7874	1.8504	0.551	0.699	12800	6650	0.121
		20	47	14	17.755			
204KRD4	2	0.63	1.8504	0.551	0.689	12800	6650	0.135
		16	47	14	17.5			
204KRR14	1	0.63	1.8504	0.591	0.72	12800	6650	0.142
		16	47	15	18.288			
205KR3	5	0.75	2.0472	0.6992	0.6402	14000	7850	0.161
		19.05	52	17.76	16.26			
205KR4	3	1.0005	2.0472	0.591	1	14000	7850	0.148
		25.413	52	15	15.4			
206KR7	3	1.181	2.441	0.63	0.945	19450	11250	0.260
		30	62	16	24			
206KRR8	1	1.181	2.441	0.63	0.945	19450	11250	0.260
		30	62	16	24			
206KRR18	1	1.2598	2.441	0.63	0.945	19450	11250	0.219
		32	62	16	24			
207KRR	1	1.378	2.8436	0.669	0.984	25700	15200	0.350
		35	72	17	28			
208KRR2	1	1.5748	3.1496	0.827	1.063	29500	18100	0.450
		40	80	21	27			
208NPPB5	6	1.438	3.1496	0.866	0.866	29500	18100	
		36.525	80	22	22			
210KRR	1	1.9685	3.5433	0.7874	1.181	35000	23200	0.524
		50	90	20	30			
214KRR	1	2.7559	4.9212	1.1024	1.6929	62100	44800	1.546
		70	125	28	43			

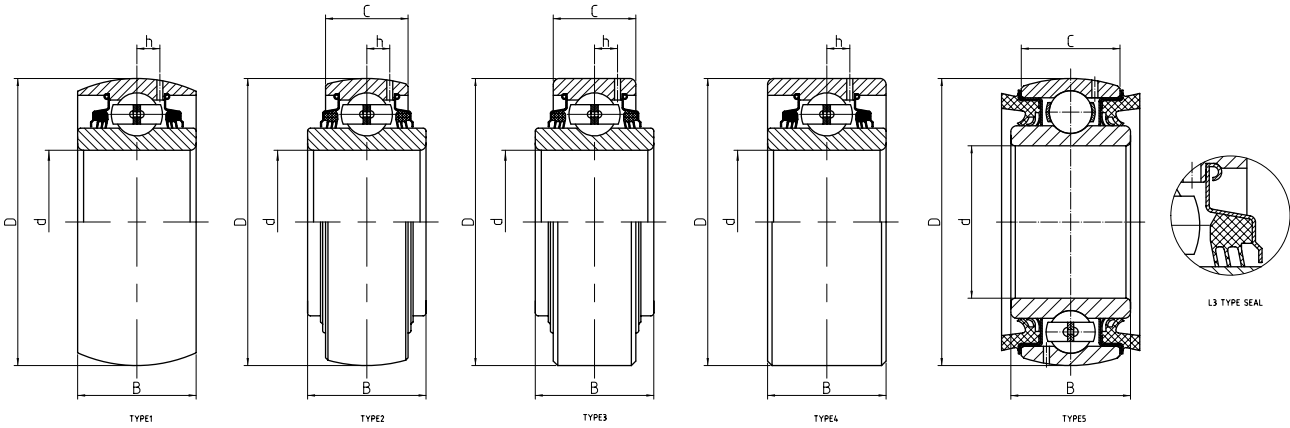


Bearing NO.	Type	Dimensions (in. /mm)				Dynamic load ratings N	Static load ratings N	Weight (kg)
		d	D	C	B			
205PPB7	1	0.9375	2.0472	0.5906	1.3780	14000	7900	-
		23.812	52	15	35			
W208PPB 2	1	1.5005	3.1496	0.709	1.6913	29500	18100	0.598
		38.113	80	18	42.96			
W208PPB 7	1	1.18	3.1496	0.709	1.189	29500	18100	0.558
		30.175	80	18	30.2			
W208PP 10	1	1.5005	3.1496	0.8268	1.6913	29500	18100	0.817
		38.113	80	21	42.96			
W208PPB 10	3	1.5005	3.1496	0.8268	1.6913	29500	18100	0.817
		38.113	80	21	42.96			
W208PPB 23	1	1.5005	3.1496	1.189	1.6913	29500	18100	0.817
		38.113	80	30.2	42.96			
W209PPB 2	2	1.7717	3.3465	1.189	1.189	32700	20900	0.566
		45	85	30.2	30.2			
W209PPB 4	2	1.535	3.3465	1.189	1.189	32700	23200	0.659
		39	85	30.2	30.2			
W209PPB 11	1	1.7811	3.3465	0.866	1.437	32700	23200	0.573
		45.24	85	22	36.5			
W210PP 2	4	1.938	3.5433	1.189	1.189	35000	23200	0.667
		49.225	90	30.2	30.2			
W210PPB 2	2	1.939	3.5433	1.189	1.189	35000	23200	0.708
		49.225	90	30.2	30.2			
W210PPB 5	2	1.785	3.5433	1.189	1.189	35000	23200	0.749
		45.34	90	30.2	30.2			
W210PP 8	4	1.53	3.5433	1.189	1.189	35000	23200	0.836
		38.862	90	30.2	30.2			
W210PPB 9	1	1.94	3.5433	0.9055	1.4382	35000	23200	0.836
		49.4	90	23	36.53			
W211PP 2	4	2.18	3.937	1.311	1.311	43300	29200	1.010
		55.575	100	33.3	33.3			
W211PPB 2	2	2.18	3.937	1.311	1.311	43300	29200	0.810
		55.575	100	33.3	33.3			
W211PPB 4	6	2.18	3.937	1.311	2.185	43300	29200	1.647
		55.575	100	33.3	55.5			
W214PP 2	4	2.7559	4.9213	1.563	1.563	62100	44800	1.902
		70	125	39.7	39.7			
W214PPB 2	2	2.7559	4.9213	1.563	1.563	62100	44800	1.667
		70	125	39.7	39.7			
W214PPB 9	1	2.7661	4.9213	1.1024	1.75	62100	44800	1.902
		70.26	125	28	44.45			
WIR210-31	5	1.937	2.543	0.787	1.937	35000	23200	0.740
		49.2	90	20	49.2			
WIR211-33	5	2.063	3.937	0.827	2.189	43300	29200	1.122
		52.388	100	21	56.6			
WIR212-39	5	2.437	4.331	0.866	2.437	47700	32800	1.249
		61.912	110	22	61.9			

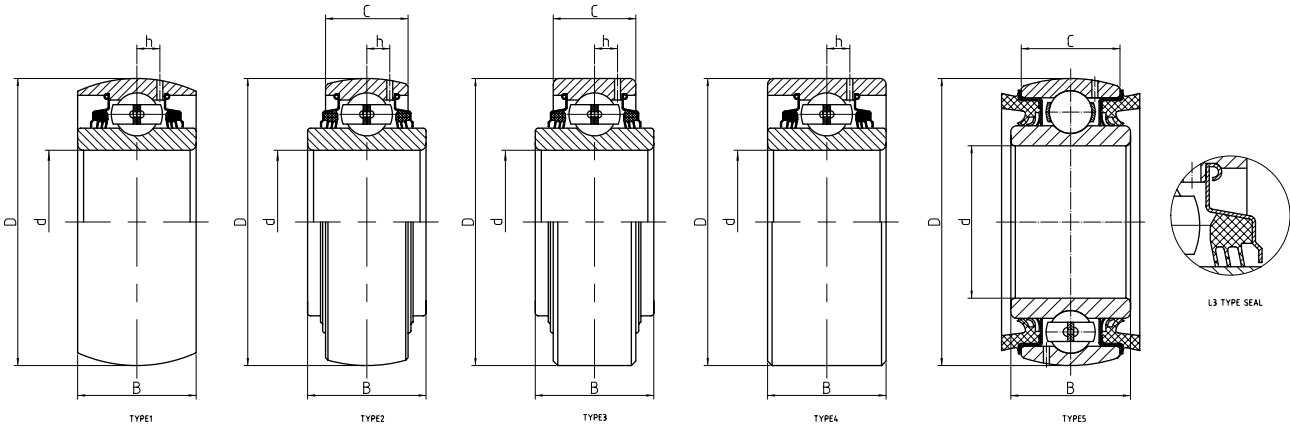
FK Harrow Bearing

Round
Bore Relubricable





Bearing NO.	Type	Dimensions (in. /mm)					Dynamic load ratings N	Static load ratings N	Weight (kg)
		d	D	C	B	h			
GW205PPB 7	2	0.9375	2.0472	0.5906	1.378	0.1693	14000	7850	0.202
		23.812	52	15	35	4.30			
GW208PPB 7	2	1.188	3.1496	0.945	1.189	0.2520	29500	18100	0.600
		30.175	80	24	30.2	6.40			
GW209PPB 2	1	1.7717	3.3465	1.189	1.189	0.2598	32700	20900	0.582
		45	85	30.2	30.2	6.60			
GW209PPB 4	1	1.5354	3.3465	1.189	1.189	0.2598	32700	20900	0.603
		39	85	30.2	30.2	6.60			
GW209PPB 11	2	1.7811	3.3465	0.866	1.437	0.2598	32700	20900	0.573
		45.24	85	22	36.5	6.60			
GW210PPB 2	1	1.938	3.5433	1.189	1.189	0.2598	35000	23200	0.616
		49.225	90	30.2	30.2	6.60			
GW210PP 3	4	1.4766	3.5433	1.189	1.189	0.2598	35000	23200	1.022
		37.53	90	30.2	30.2	6.60			
GW210PPB 5	1	1.785	3.5433	1.189	1.189	0.2598	35000	23200	0.648
		45.34	90	30.2	30.2	6.60			
GW210PPB 9	2	1.9449	3.5433	0.9055	1.437	0.2598	35000	23200	0.793
		49.4	90	23	36.5	6.60			
GW210PP 9	3	1.9449	3.5433	0.9055	1.437	0.2598	35000	23200	0.793
		49.4	90	23	36.5	6.60			
GW211PP 2	4	2.189	3.937	1.3126	1.3126	0.2992	43300	29200	0.880
		55.575	100	33.3	33.3	7.60			
GW211PPB 2	1	2.189	3.937	1.3126	1.3126	0.2992	43300	29200	0.810
		55.575	100	33.3	33.3	7.60			
GW211PPB 8	2	2.189	3.937	0.984	1.3126	0.2992	43300	29200	0.750
		55.575	100	25	33.3	7.60			
GW211PPB 9	2	2.1949	3.937	0.984	1.563	0.2992	43300	29200	0.917
		55.75	100	25	39.7	7.60			

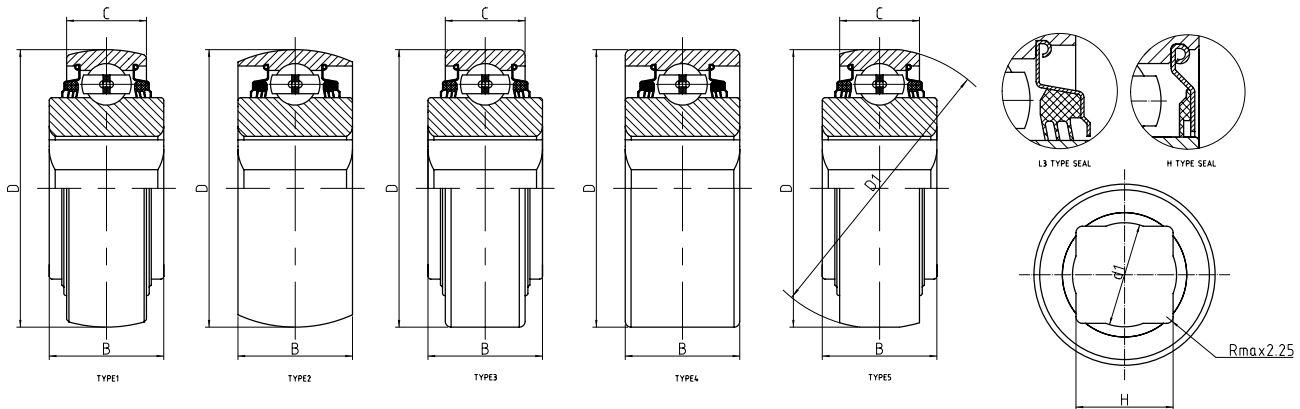


Bearing NO.	Type	Dimensions (in. /mm)					Dynamic load ratings N	Static load ratings N	Weight (kg)
		d	D	C	B	h			
GW211PPB 10	1	1.938	3.937	1.3126	1.3126	0.2992	43300	29200	1.026
		49.225	100	33.3	33.3	7.60			
GW211PPB 13	2	1.785	3.937	0.984	1.3126	0.2992	43300	29200	0.985
		45.34	100	25	33.3	7.60			
GW211PPB 14	2	2.015	3.937	0.984	1.3126	0.2992	43300	29200	0.990
		51.18	100	25	33.3	7.60			
GW211PPB 20	5	2.1949	3.937	1.2992	1.5748	0.3189	43300	29200	1.038
		55.75	100	33	40	8.10			
GW211PP 25	3	1.78	3.937	1.312	1.75	0.3189	43300	29200	1.038
		45.212	100	33.325	44.45	8.10			
GW214PP 2	4	2.7559	4.9213	1.563	1.563	0.3543	62100	44800	1.902
		70	125	39.7	39.7	9.00			
GW214PPB 2	1	2.7559	4.9213	1.563	1.563	0.3543	62100	45000	1.666
		70	125	39.7	39.7	9.00			
GW214PPB 3	1	1.938	4.9213	1.563	1.563	-	62100	45000	1.666
		49.225	125	39.7	39.7				
GW214PPB 5	2	2.7559	4.9213	1.563	2.438	-	62100	45000	1.666
		70	125	39.7	61.925				
GW214PPB 6	2	2.6882	4.9213	1.1024	2.6874	0.3543	62100	44800	1.362
		68.28	125	28	68.26	9.00			
GW309PPB 2	2	1.7717	3.937	1.063	1.874	0.3386	48600	28900	0.980
		45	100	27	47.6	8.60			
AP28184	5	1.781102362	3.3465	1.189	1.4370	0.2795	33370	25110	-
		45.24	85	30.2	36.5	7.10			
UC511	5	2.165354331	3.937	1.2992	1.8110	0.3189	43300	29200	-
		55	100	33	46	8.10			

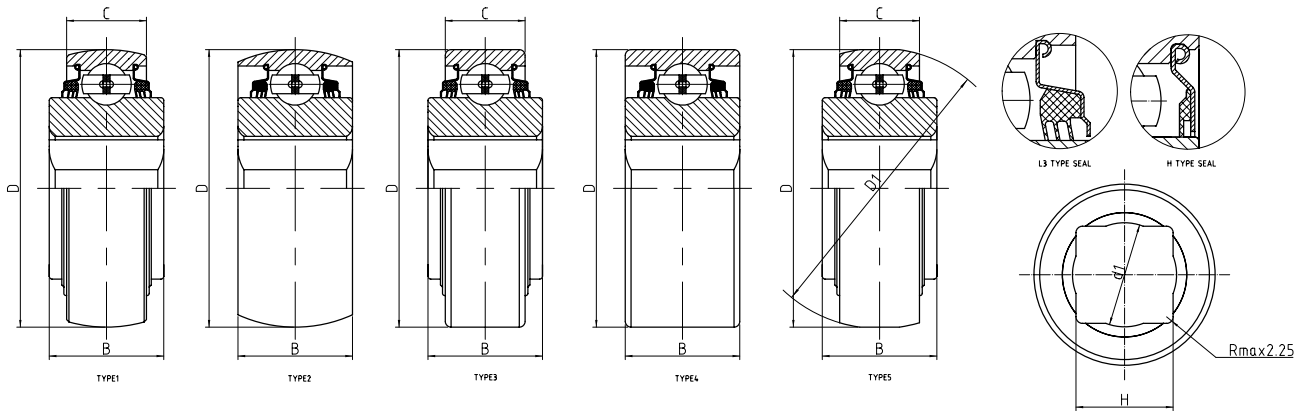
FK Harrow Bearing

Square Bore
Non-Relubricable





Bearing NO.	Type	Dimensions (in. /mm)						Dynamic load ratings N	Static load ratings N	Weight (kg)
		H	d1	D	D1	C	B			
W208PP 5	3	1.1800	1.2598	3.1496	—	0.709	1.437	29500	18100	0.600
		29.972	32	80		18	36.5			
W208PP 5 SV1	3	1.1800	1.2087	3.1496	—	0.709	1.437	29500	18100	0.610
		29.972	30.7	80		18	36.5			
W208PPB 5	1	1.1800	1.2598	3.1496	—	0.709	1.437	29500	18100	0.590
		29.972	32	80		18	36.5			
W208PP 6	3	1.0300	1.0945	3.1496	—	0.709	1.437	29500	18100	0.662
		26.162	27.8	80		18	36.5			
W208PPB 6	1	1.0300	1.0945	3.1496	—	0.709	1.437	29500	18100	0.652
		26.162	27.8	80		18	36.5			
W208PP 8	3	1.1800	1.2598	3.1496	—	0.709	1.437	29500	18100	0.709
		29.972	32	80		18	36.5			
W208PP X	3*	1.188	1.2244	3.1496	—	0.709	1.437	29500	18100	
		30.17	31.1	80		18	36.5			
W208PPB 8	1	1.1800	1.2598	3.1496	—	0.709	1.437	29500	18100	0.735
		29.972	32	80		18	36.5			
W208PPB 9	1	1.0300	1.0945	3.1496	—	0.709	1.437	29500	18100	0.788
		26.162	27.8	80		18	36.5			
W208PPB 11	5	0.9050	0.9746	3.402	0.4385	1.189	1.437	29500	18100	0.956
		22.987	24.8	85.75	87.338	30.2	36.5			
W208PPB 12	5	1.1800	1.2598	3.402	0.4385	1.189	1.437	29500	18100	0.953
		29.972	32	85.75	87.338	30.2	36.5			
W208PPB 13	1	0.9050	0.9764	3.1496	—	0.709	1.437	29500	18100	0.690
		22.987	24.8	80		18	36.5			
W209PPB 5	1	1.2900	1.3504	3.3465	—	1.189	1.437	32700	20900	0.945
		32.766	34.3	85		30.2	36.5			
W209PPB 7	5	1.2500	1.311	3.402	0.4385	1.189	1.437	32700	20900	0.945
		31.75	33.3	85.75	87.338	30.2	36.5			
W209PPB 8	1	1.2900	1.3504	3.3465	—	0.748	1.437	32700	20900	0.723
		32.766	34.3	85		19	36.5			

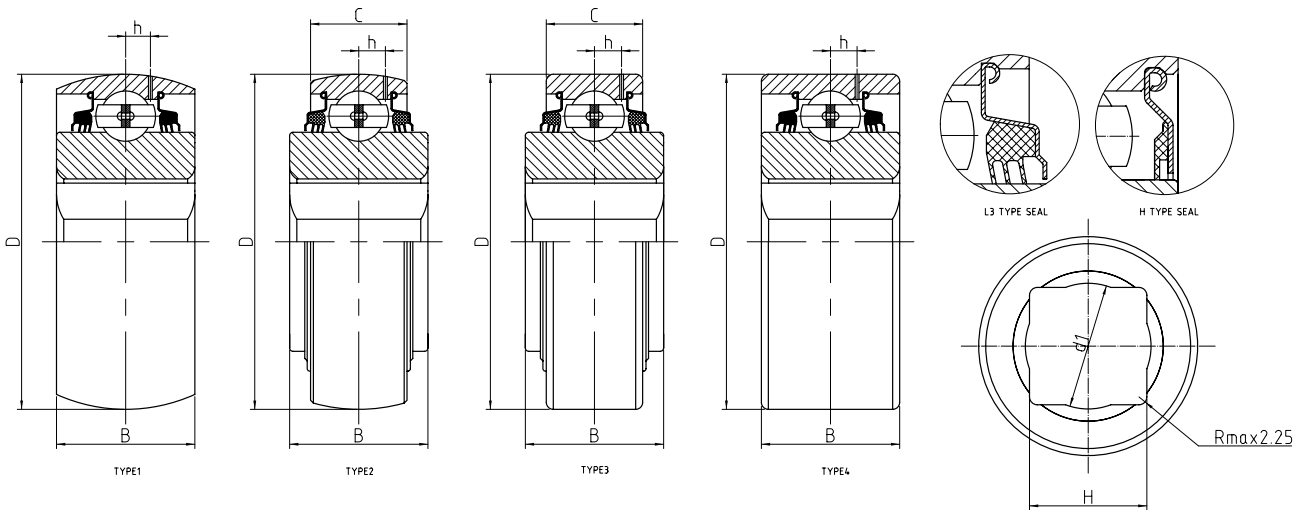


Bearing NO.	Type	Dimensions (in. /mm)						Dynamic load ratings N	Static load ratings N	Weight (kg)
		H	d1	D	D1	C	B			
W210PP 4	4	1.1800	1.2598	3.5433	—	1.189	1.1882	35000	23200	1.049
		29.972	32	90		30.2	30.2			
W210PPB 4	2	1.1800	1.2598	3.5433	—	1.189	1.189	35000	23200	0.846
		29.972	32	90		30.2	30.2			
W210PPB 6	1	1.1800	1.2598	3.5433	—	1.189	1.437	35000	23200	0.733
		29.972	32	90		30.2	36.5			
W211PP 3	4	1.5311	1.6535	3.937	—	1.3126	1.3126	43300	29200	1.271
		38.89	42	100		33.3	33.3			
W211PPB 3	2	1.5311	1.6535	3.937	—	1.3126	1.3126	43300	29200	1.208
		38.89	42	100		33.3	33.3			
W211PP 5	3	1.5311	1.6535	4	—	1.437	1.75	43300	29200	1.302
		38.89	42	101.6		36.5	44.45			
W211PPB 6	5	1.5311	1.6535	4.0772	4.1299	1.437	1.75	43300	29200	1.610
		38.89	42	103.56	104.9	36.5	44.45			
4509BA	3	1.2900	1.3504	3.3465	—	1.189	1.3976	—	—	0.782
		32.766	34.3	85		30.2	35.5			
SL-11	5	1.2087	1.2402	3.5433	3.5827	1.1417	1.7717	40600	23700	—
		30.7	31.5	90	91	29	45			
SL-13	5	1.0039	1.0866	3.5433	3.5827	1.1417	1.7717	40600	23700	—
		25.5	27.6	90	91	29	45			
ST627	5*	—	1.0866	3.5433	3.5827	1.1417	1.7717	43300	29200	—
		—	55.562	100	100.5	33.3	55.6			

FK Harrow Bearing

Square
bore Relubricable





Bearing NO.	Type	Dimensions (in. /mm)						Dynamic load ratings N	Static load ratings N	Weight (kg)
		H	d1	D	C	B	h			
B1-GW205KRRB2	2*	0.6457	0.6850	2.0472	0.5906	1.1024	0.1693	10780	6980	
		16.4	17.400	52	15	28	4.3			
GW208PPB 5	2	1.1800	1.2560	3.1490	0.9450	1.4370	0.2520	29500	18100	0.635
		29.972	32.000	80	24	36.5	6.4			
GW208PPB 6	2	1.0300	0.0011	3.1490	0.9450	1.4370	0.2520	29500	18100	0.762
		26.162	27.800	80	24	36.5	6.4			
GW208PPB 8	2	1.1800	1.2598	3.1490	1.1890	1.4370	0.2598	29500	18100	0.658
		29.972	32.000	80	30.2	36.5	6.6			
GW208PP 17	3	1.1800	1.2560	3.3755	1.1890	1.4370		29500	18100	0.658
		29.972	32.000	85.738	30.2	36.5				
GW208PPB 17	2	1.1800	1.2560	3.3755	1.1890	1.4370		29500	18100	0.658
		29.972	32.000	85.738	30.2	36.5				
GW209PPB 5	2	1.2900	1.3504	3.3465	1.1890	1.4370	0.2598	32700	20900	0.795
		32.766	34.300	85	30.2	36.5	6.6			
GW209PPB 8	2	1.2900	1.3504	3.3465	0.8661	1.4370	0.2677	32700	20900	0.749
		32.766	34.300	85	22	36.5	6.8			
GW209PPB 17	2	1.1800	1.2600	3.3155	1.1890	1.4370	0.2598	32700	20900	1.922
		29.972	32.000	85.738	30.2	36.5	6.6			
GW210PP 4	4	1.1800	1.2598	3.5433	1.1890	1.1890	0.2598	35000	23200	0.840
		29.972	32.000	90	30.2	30.2	6.6			
GW210PPB 4	1	1.1800	1.2598	3.5433	1.1890	1.1890	0.2598	35000	23200	0.840
		29.972	32.000	90	30.2	30.2	6.6			
GW211PP 3	4	1.5311	1.6535	3.9370	1.3126	1.3126	0.2992	43300	29200	1.106
		38.89	42.000	100	33.3	33.3	7.6			
GW211PPB 3	1	1.5311	1.6535	3.9370	1.3126	1.3126	0.2992	43300	29200	1.036
		38.89	42.000	100	33.3	33.3	7.6			
GW211PPB 3 AH01	2	1.6063	1.7323	3.9370	0.9843	1.4173	0.2992	43300	29200	1.036
		40.8	44.000	100	25	36	7.6			
GW211PP 5	3	1.5311	1.6535	4.0000	1.4370	1.7500	0.2992	43300	29200	1.302
		38.89	42.000	101.6	36.5	44.45	7.6			
GW211PP 17	3	1.5311	1.6535	3.9370	1.3126	1.7500	0.2992	43300	29200	1.252
		38.89	42.000	100	33.3	44.45	7.6			
GW211PPB 17	2	1.5311	1.6535	3.9370	1.3126	1.7500	0.2992	43300	29200	1.252
		38.89	42.000	100	33.3	44.45	7.6			
GW214PPB 4	1	2.0550	2.1614	4.9213	1.5630	1.5630	0.3543	62100	44800	2.157
		52.2	54.900	125	39.7	39.7	9			
GW216PP 2	3	2.3150	2.4331	5.5118	1.1810	2.5000	0.2992	72600	53300	2.867
		58.8	61.800	140	30	63.5	7.6			
GW216PPB 2	2	2.3150	2.4331	5.5118	1.1810	2.5000	0.2992	72600	53300	2.867
		58.8	61.800	140	30	63.5	7.6			

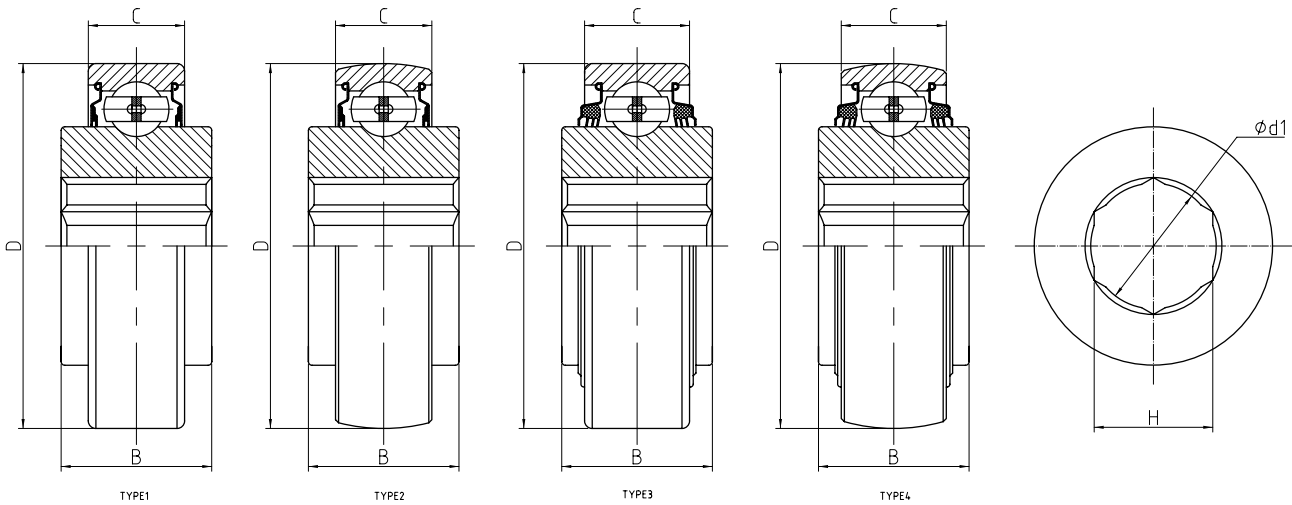
FK[®] BEARING
UNITS

FK[®]
Bearing Units
Best Selling Brand
since 1969

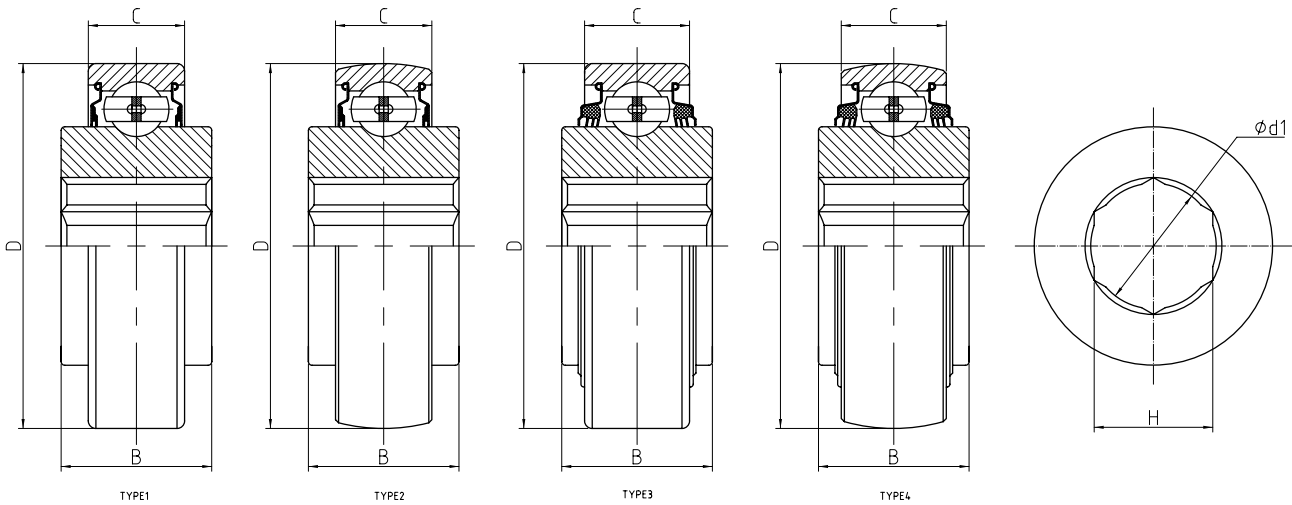
FK Harrow Bearing

Hex bore





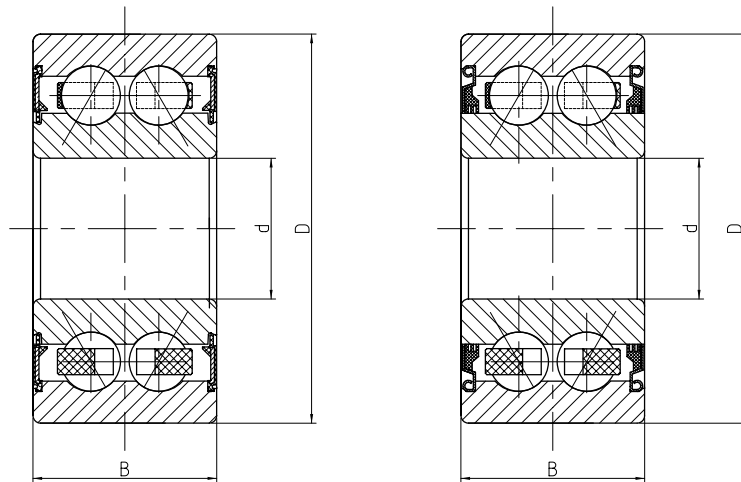
Bearing NO.	Type	Dimensions (in. /mm)					Dynamic load ratings N	Static load ratings N	Weight (kg)
		H	d1	D	C	B			
202KRR3	1	0.5630	0.6496	1.3780	0.4330	0.5120	9790	4530	0.05
		14.3	16.500	35	11	13			
204KPP2	3	0.6950	0.7970	1.8504	0.5510	0.8250	12800	6650	0.34
		17.653	20.240	47	14	20.96			
204KRR2	1	0.6950	0.7970	1.8504	0.5510	0.8250	12800	6650	0.32
		17.653	20.240	47	14	20.96			
204KRRB2	2	0.6950	0.7970	1.8504	0.5510	0.8250	12800	6650	0.32
		17.653	20.240	47	14	20.96			
204KPPB2	4	0.6950	0.7970	1.8504	0.5510	0.8250	12800	6650	0.32
		17.653	20.240	47	14	20.96			
205KPP2	3	0.8760	0.9055	2.0470	0.5910	1.0000	14000	7850	0.47
		22.25	23.000	52	15	25.4			
205KRR2	1	0.8760	0.9055	2.0470	0.5910	1.0000	14000	7850	0.44
		22.25	23.000	52	15	25.4			
205KPPB2	4	0.8760	0.9055	2.0470	0.5910	1.0000	14000	7850	0.47
		22.25	23.000	52	15	25.4			
B1-205KPPB2	4	0.8799	0.9055	2.0470	0.5910	1.0000	14000	7850	0.47
		22.35	23.000	52	15	25.4			
205KRRB2	2	0.8760	1.0120	2.0470	0.5910	1.0000	14000	7850	0.44
		22.25	25.700	52	15	25.4			
206KRR6	1	1.0010	1.1520	2.4409	0.6300	0.9450	19450	11250	0.75
		25.425	29.260	62	16	24			
206KRRB6	2	1.0010	1.1520	2.4409	0.6300	0.9450	19450	11250	0.75
		25.425	29.260	62	16	24			
206KPPB2	4	1.0079	1.0354	2.4409	0.6300	0.9450	19450	11250	
		25.6	26.300	62	16	24			
206-KRR-B-AH11	2	1.0012	1.0354	2.4409	0.6300	0.9450	19450	11250	
		25.43	26.300	62	16	24			
G207KPPB2	4	1.2600	1.2980	2.8346	0.7480	1.4840	25700	15200	1.10
		28.6	32.970	72	19	37.7			
207KRRB9	2	1.2600	1.2980	2.8346	0.6690	1.4840	25700	15200	1.00
		28.6	32.970	72	17	37.7			
207KRRAH03	4	1.2600	1.1535	2.8346	0.6690	0.9840	25700	15200	
		28.6	29.300	72	17	25			



Bearing NO.	Type	Dimensions (in. /mm)					Dynamic load ratings N	Static load ratings N	Weight (kg)
		H	d1	D	C	B			
207KRRB12	2	1.2600	1.2980	2.8346	0.6690	0.9840	25700	15200	0.87
		28.6	32.970	72	17	25			
207KPPB3	4	1.2512	1.4429	2.8346	0.6690	1.4840	25700	15200	0.87
		31.775	36.650	72	17	37.7			
B1-207KPPB3	4	1.2512	1.4429	2.8346	0.7480	1.4840	25700	15200	
		31.775	36.650	72	19	37.7			
207KPP3	3	1.2512	1.4429	2.8346	0.6690	0.9840	25700	15200	0.87
		31.775	36.650	72	17	25			
207KRRB17	3	1.2512	1.2756	2.8346	0.7480	0.9840	25700	15200	
		31.78	32.400	72	19	25			
GW208PPB22	4	1.2550	1.3189	3.1496	0.8270	1.4370	29500	18100	1.50
		31.877	33.500	80	21	36.5			
W208KRRB6	2	1.3760	1.5870	3.1496	0.8270	1.4370	29500	18100	1.31
		34.95	40.300	80	21	36.5			
W208PPB16	4	1.2512	1.4429	3.1496	0.7090	1.4370	29500	18100	1.45
		31.775	36.650	80	18	36.5			
W208PP21	3	1.2550	1.4429	3.1496	0.7090	1.4370	29500	18100	1.45
		31.775	36.650	80	18	36.5			
G209KPPB2	4	1.5010	1.7300	3.3465	0.7490	1.1810	32700	20900	1.26
		38.125	43.940	85	19	30			
209KRRB2	2	1.5010	1.7300	3.3465	0.7490	1.1811	32700	20900	1.27
		38.125	43.940	85	19	30			
210PPB20	4	1.2550	1.4500	3.5433	0.8661	1.4370	35000	23200	2.00
		31.775	36.830	90	22	36.5			
210PP20	3	1.2550	1.4500	3.5433	0.8661	1.4370	35000	23200	2.05
		31.775	36.830	90	22	36.5			
G210KPPB2	4	1.5010	1.7300	3.5433	0.8611	1.1811	35000	23200	1.89
		38.125	43.940	90	22	30			
GC211-32-NLC	3	1.7510	2.0200	3.9370	0.9840	2.2500	43300	29200	3.35
		44.475	51.310	100	25	57.15			
W211KRRB50	4	1.7510	1.7756	3.9370	0.9840	1.6850	43300	29200	3.35
		44.475	45.100	100	25	42.8			

**FK
Double
Row
Angular
Contact
Ball
Bearing**



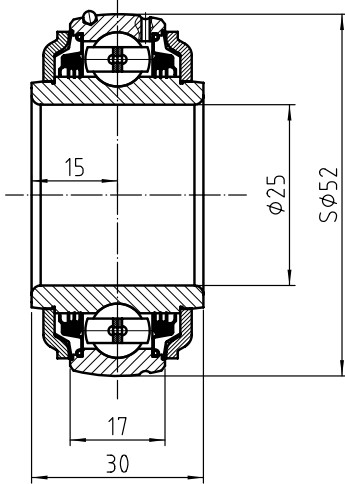


Triple lips sealing

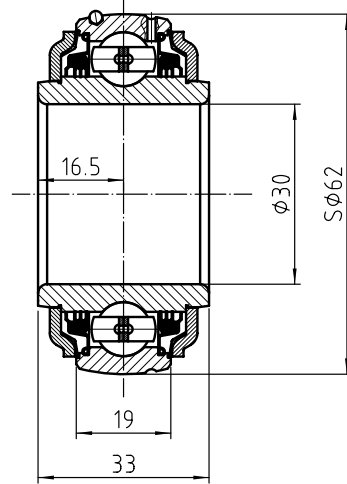
FK No.	Principal Dimension			Basic Rating		Weight	Alternative No.
	d	D	B	Cr (N)	Cor (N)		
3200	10	30	14.0	7410	4300	0.051	5200
3300		35	19.0	10100	5600	0.092	5300
3201	12	32	15.9	10100	5600	0.068	5201
3301		37	19.0	13000	7300	0.109	5301
3202	15	35	15.9	11200	6800	0.063	5202
3302		42	19.0	15100	9150	0.130	5302
3203	17	40	17.5	14000	8650	0.096	5203
3303		47	22.2	21200	12500	0.180	5303
3204	20	47	20.6	18600	12000	0.160	5204
3304		52	22.2	22100	14300	0.220	5304
3205	25	52	20.6	20300	14000	0.180	5205
3305		62	25.4	31200	20800	0.350	5305
3206	30	62	23.8	28100	20000	0.290	5206
3306		72	30.2	41000	28500	0.530	5306
3207	35	72	27.0	37100	27500	0.440	5207
3307		80	34.9	48800	34000	0.730	5307
3208	40	80	30.2	44900	33500	0.580	5208
3308		90	36.5	59200	43000	0.950	5308
3209	45	85	30.2	47500	38000	0.630	5209
3309		100	39.7	72100	73500	1.400	5309
3210	50	90	30.2	47500	39000	0.660	5210
3310		110	44.4	88000	96500	1.950	5310
3211	55	100	33.3	57200	67000	1.050	5211
3311		120	49.2	95200	108000	2.550	5311
3212	60	110	36.5	72100	85000	1.400	5212
3312		130	54.0	112000	127000	3.250	5312
3213	65	120	38.1	78100	95000	1.750	5213
3313		140	58.7	128000	150000	4.100	5313
3214	70	125	39.7	76500	98000	1.900	5214
3314		150	63.5	147000	173000	5.050	5314
3215	75	130	41.3	84200	110000	2.100	5215
3216	80	140	44.4	101000	134000	2.650	5216

FK Special Agri Bearing

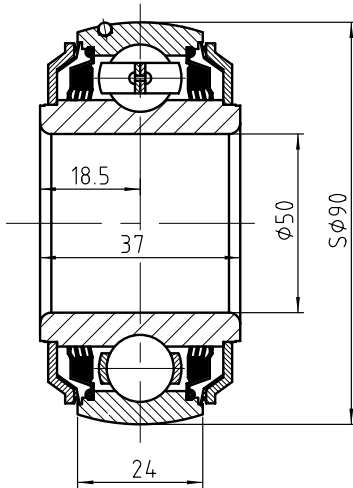




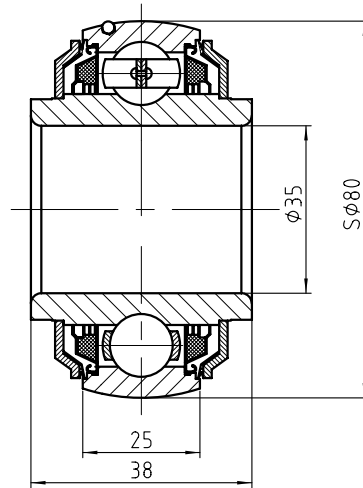
UC205-AGRI



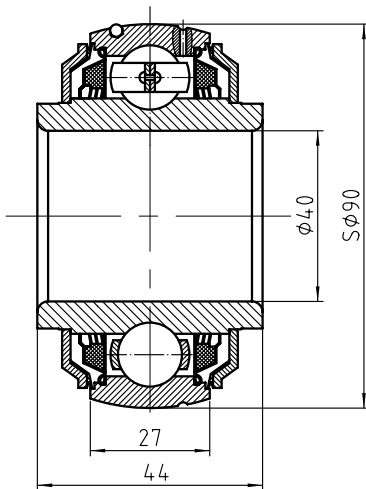
UC206-AGRI



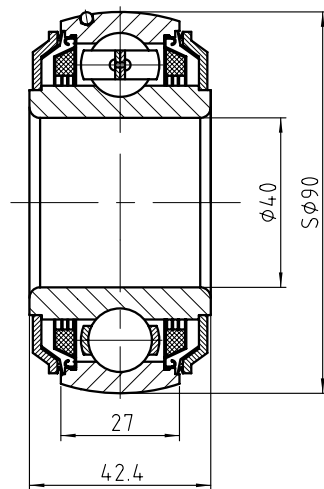
B1-UC210



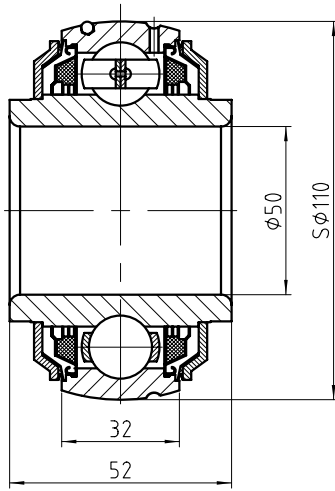
B1-UC307



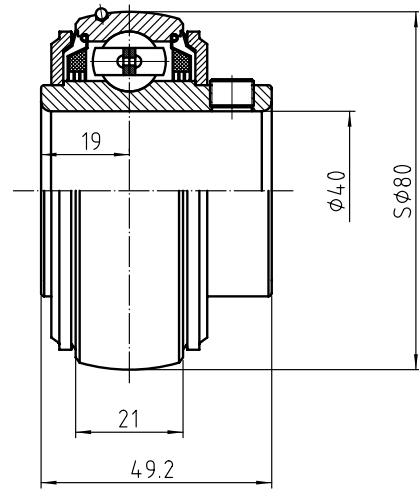
B1-UC308



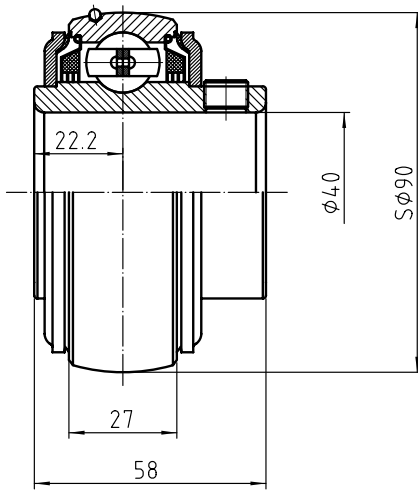
B3-UC308



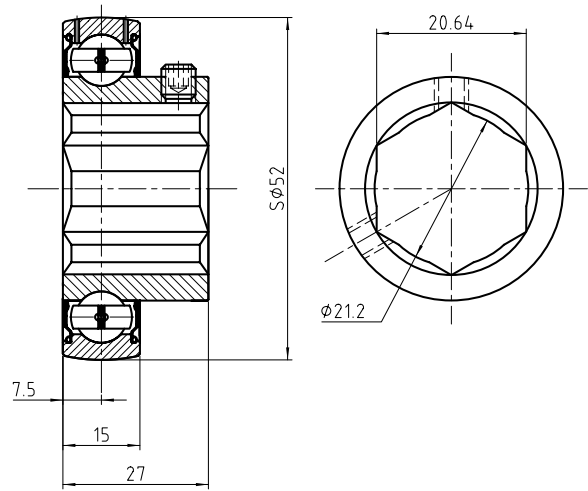
B1-UC310



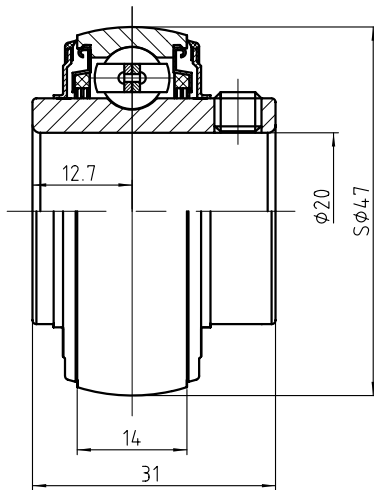
UC208-AGRI



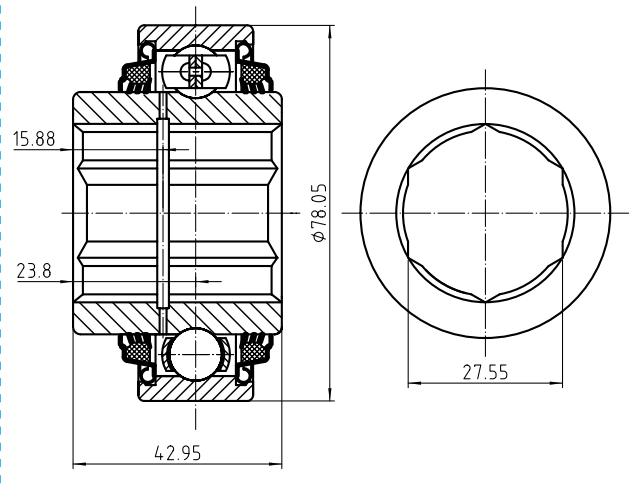
UC308-AGRI



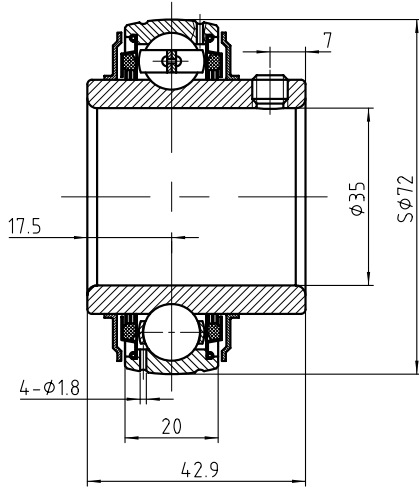
B2-SB205



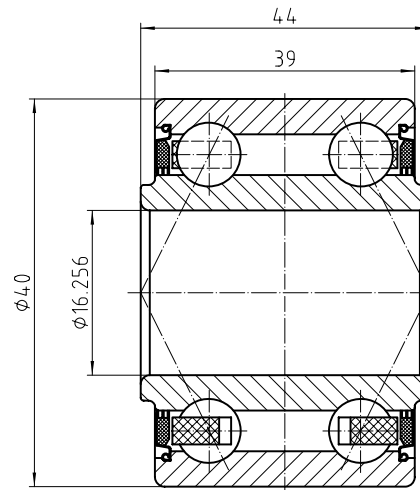
B1-UC204



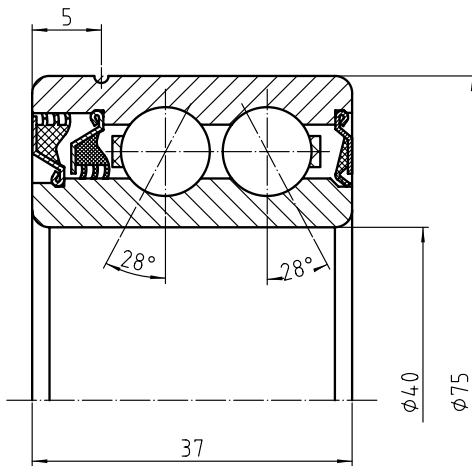
CB207DDH



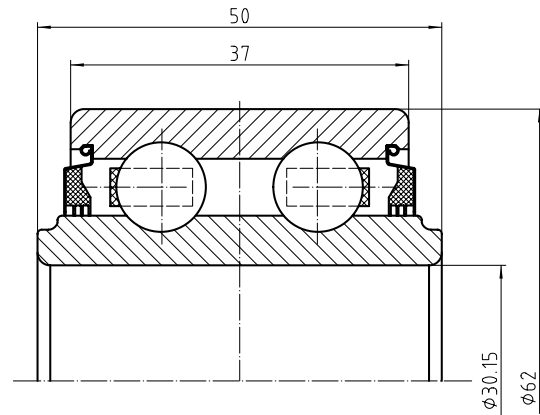
B1-UC207



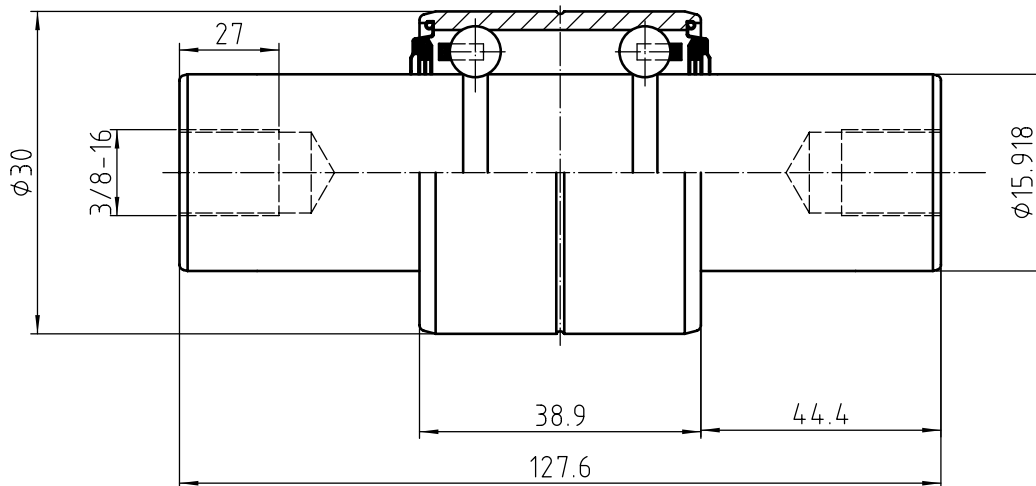
5203KYY2



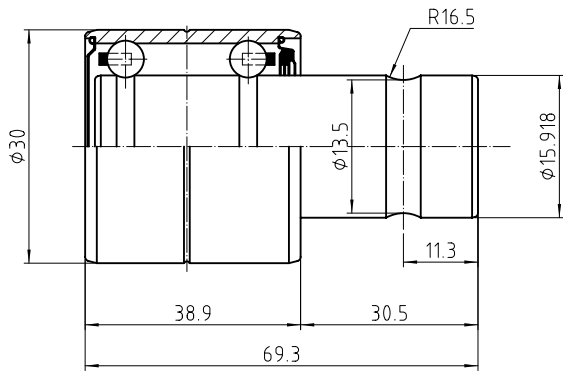
5208-KRMF52



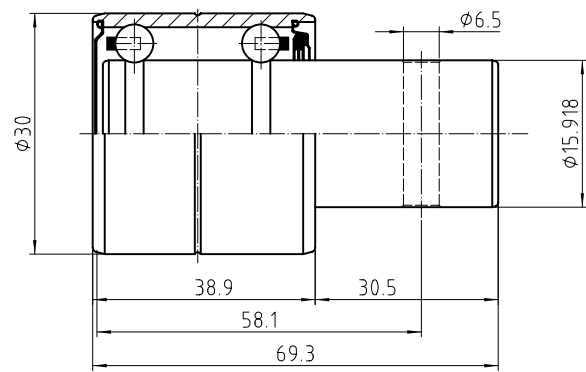
5206KPP3



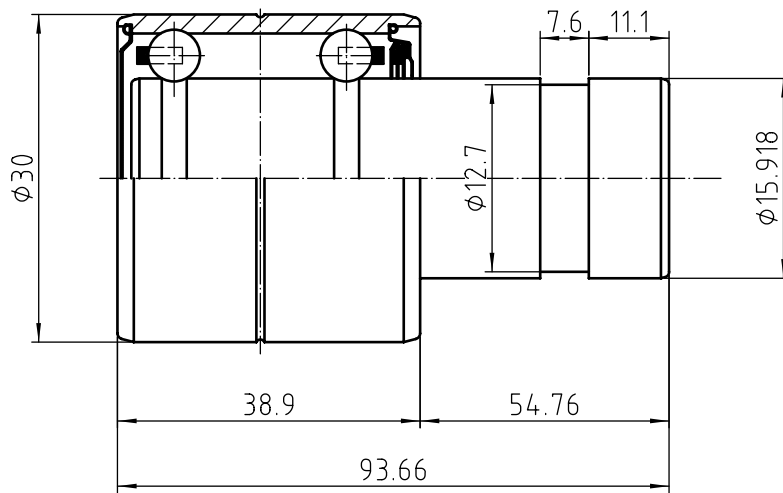
DC2207F



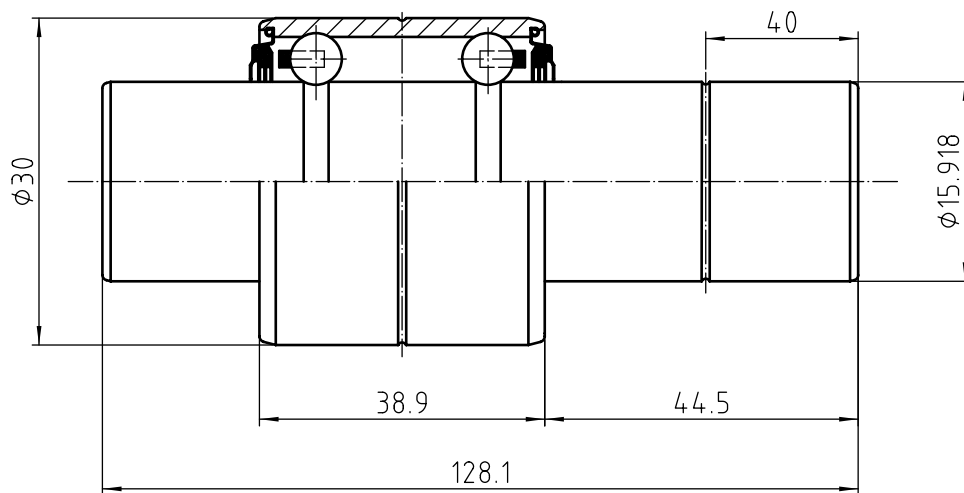
885154B



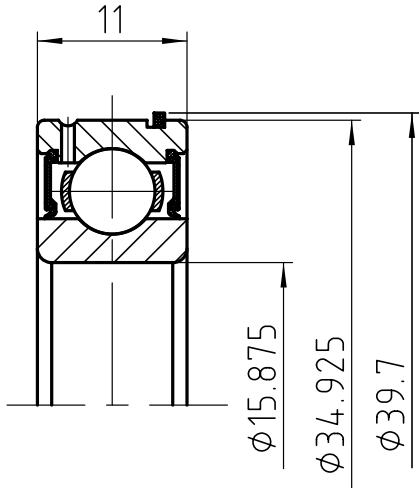
885151E



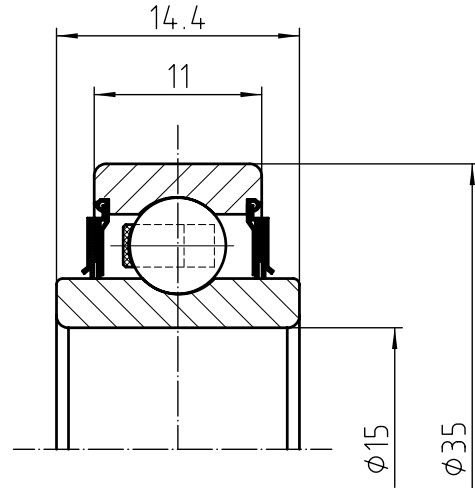
885151E



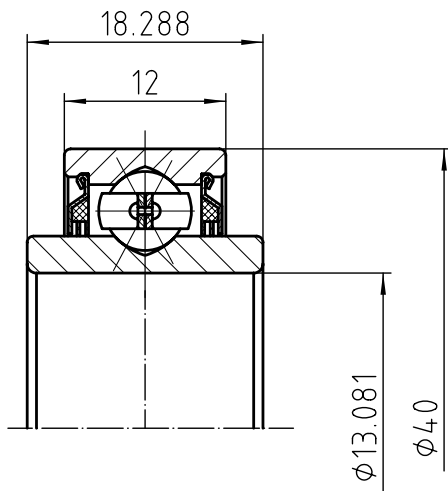
885118B



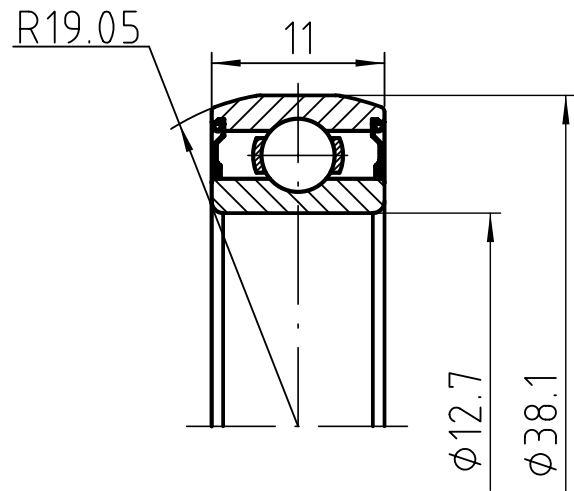
499502H



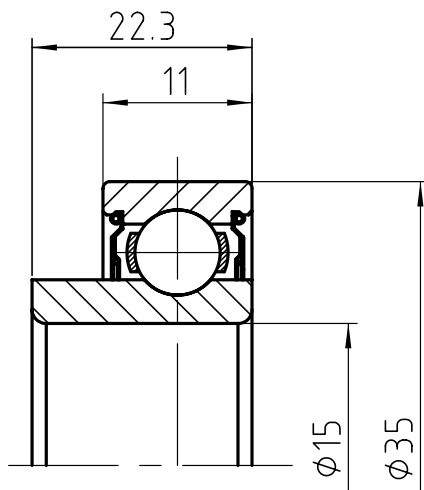
202-DLS



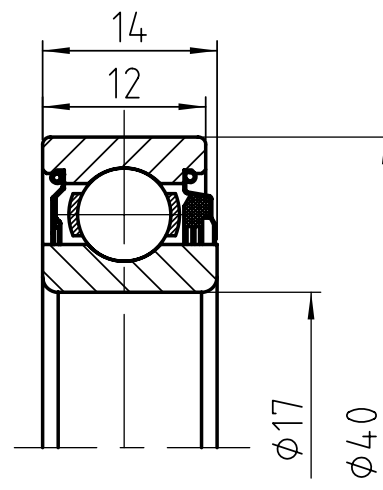
BB203-KYY50-R-A240



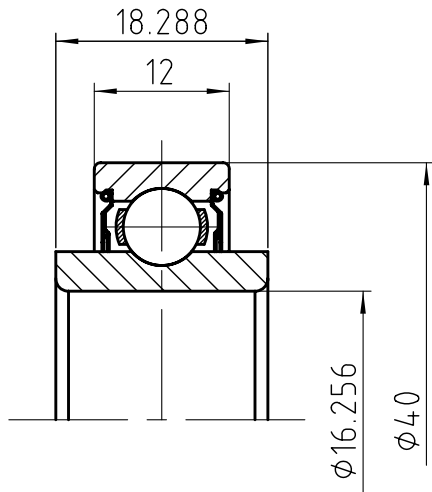
202NPP9



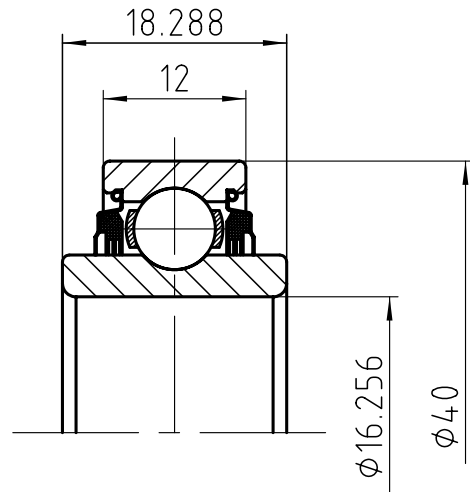
202RRE



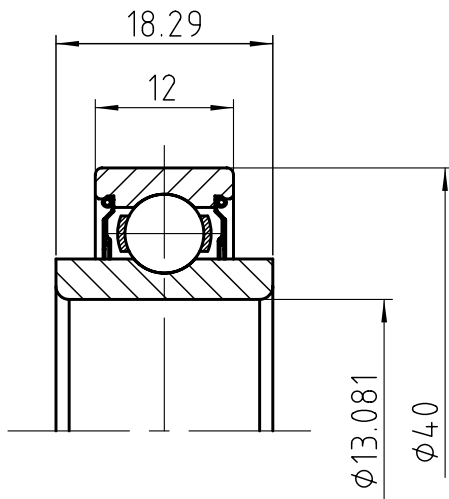
203JD



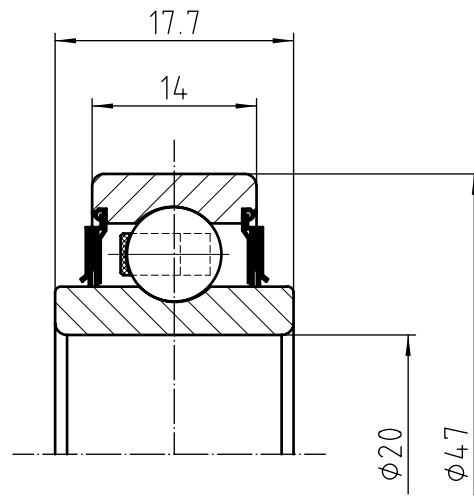
203KRR2



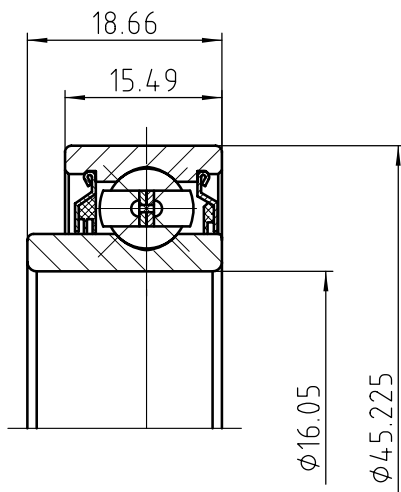
203KRR-2DG



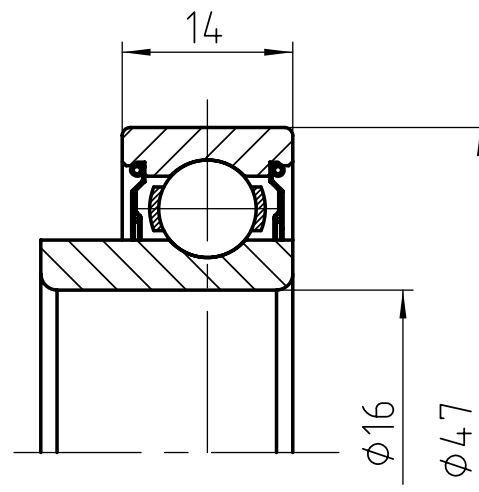
203KRR5



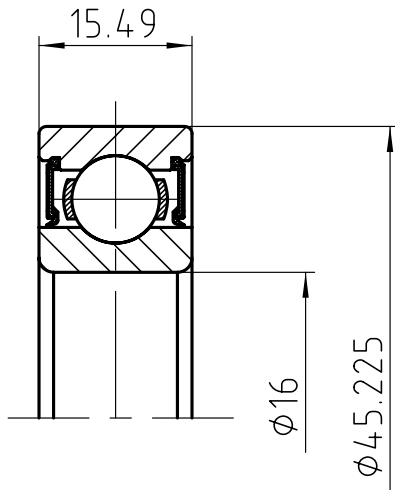
204-DLS



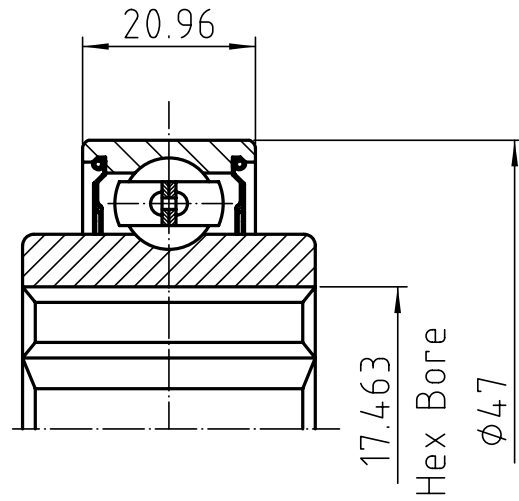
204RY2



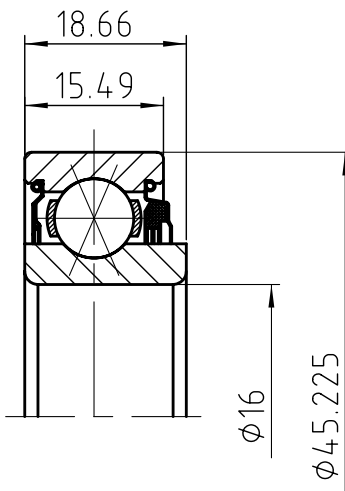
204KRD4



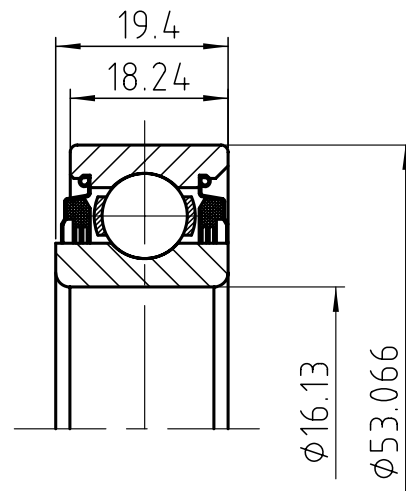
204KRR8



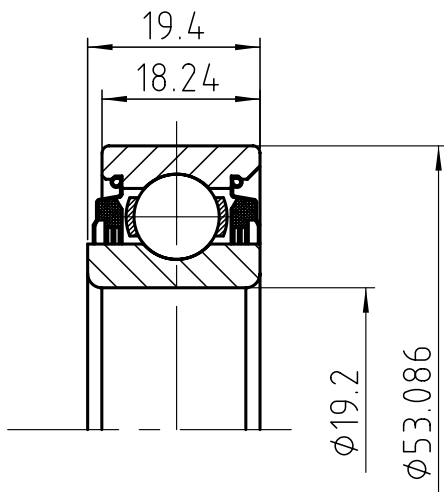
204KRR2



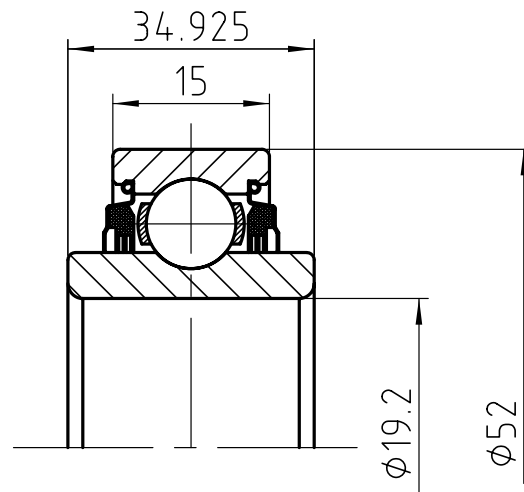
204PY3



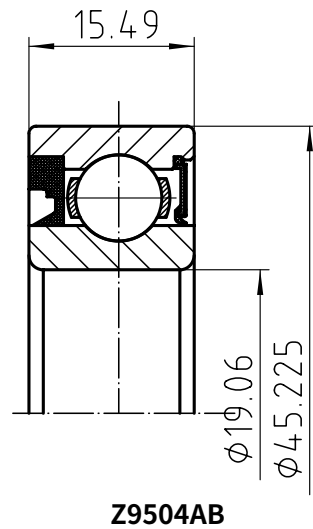
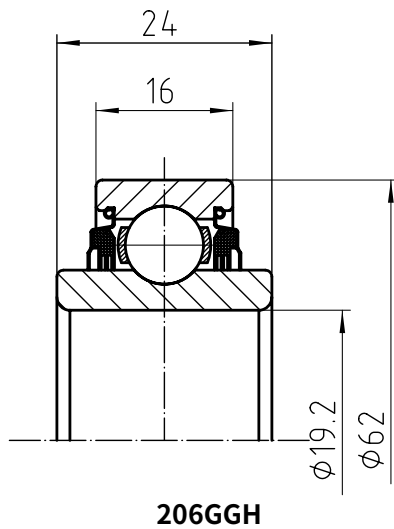
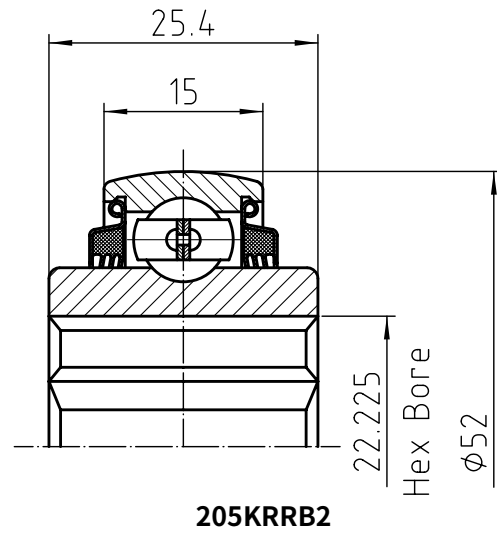
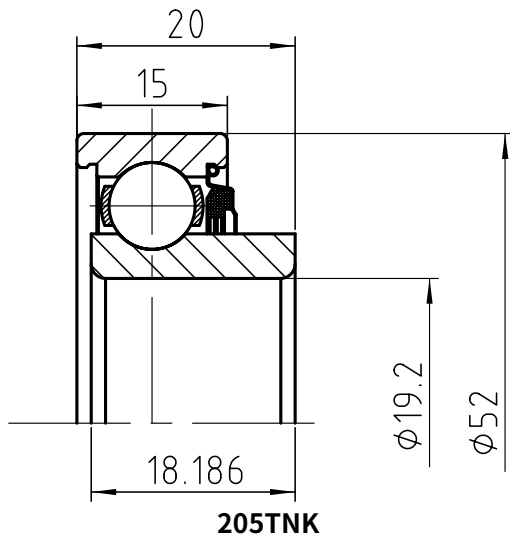
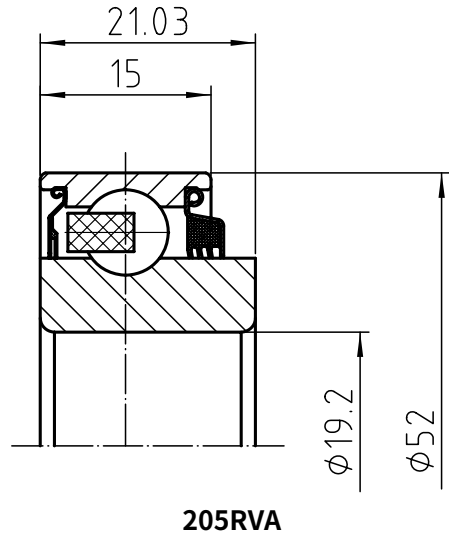
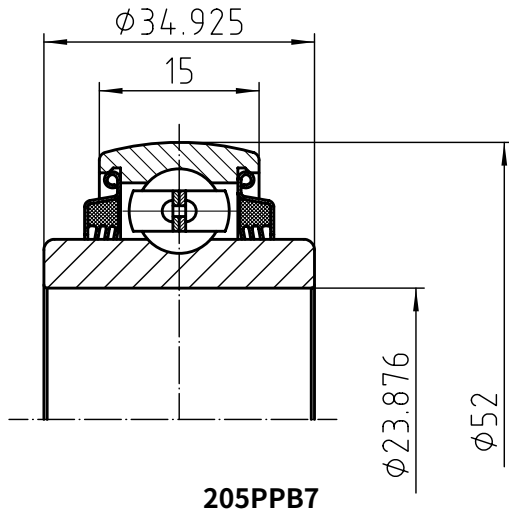
205DDS

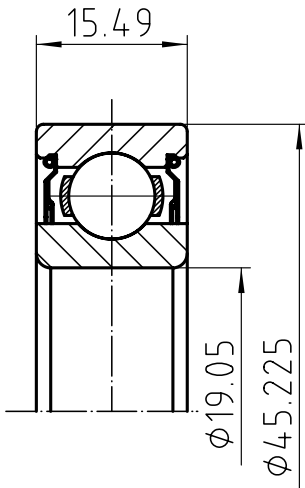


205DDS 3/4

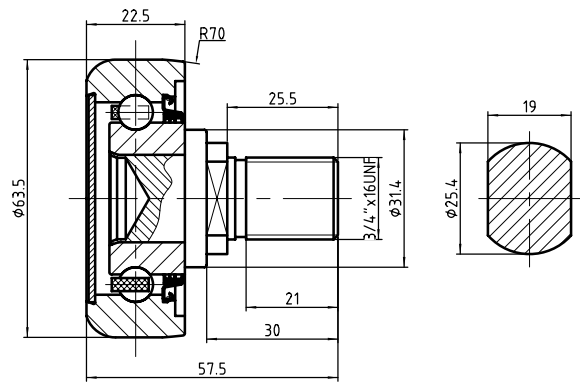


205PP9





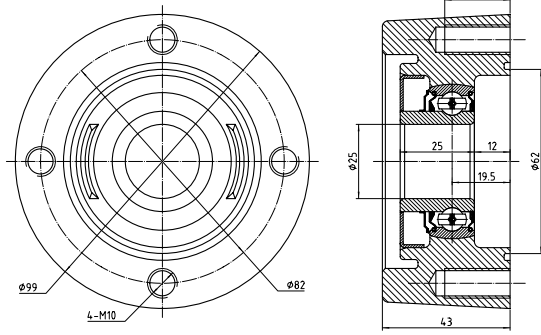
Z9504RST



6901PJ

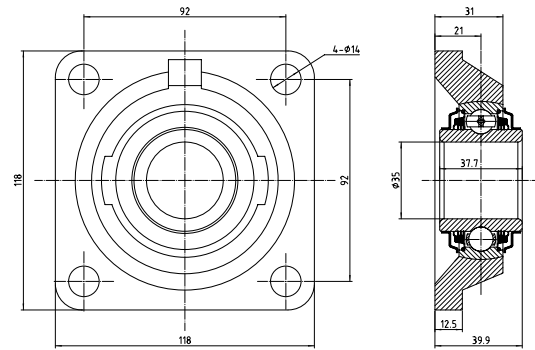
FK Special Agri Bearing Units





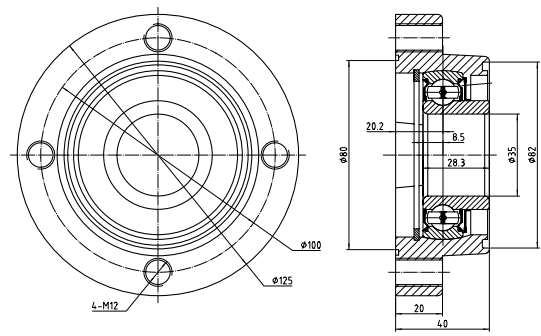
B5H2-SBFC205

FKL: LSGR 205 FS
 LEEMKEN: 3199371
 RBF: PN 00029
 INA: F-239975-0200
 RCJT 25x400x43 GGG



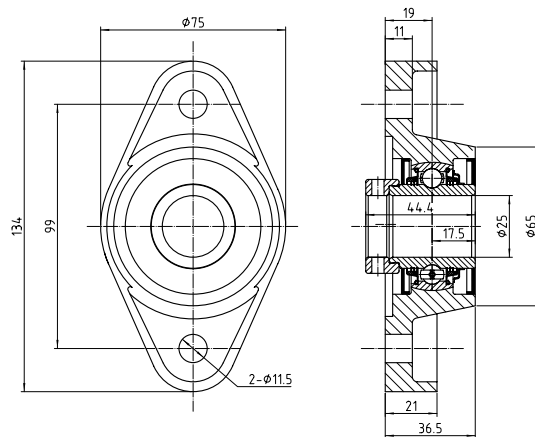
B5QTH3-UCF207

INA: RCJ-35x118x39.1

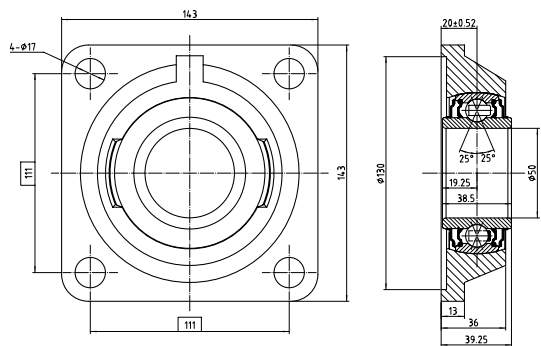


B2H5-SBFC207

FKL: LSGR 207 TBS
 LEEMKEN: 3199372
 RBF: PN 00032RCJ
 INA: F-232812-0200
 RCJ 35x118x39.9

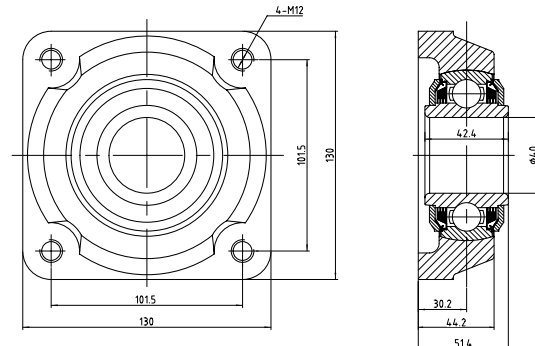


B1QTH5-HCFL205

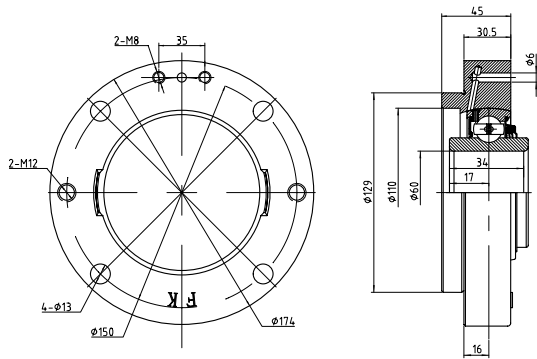


B1QTH5-QJF210

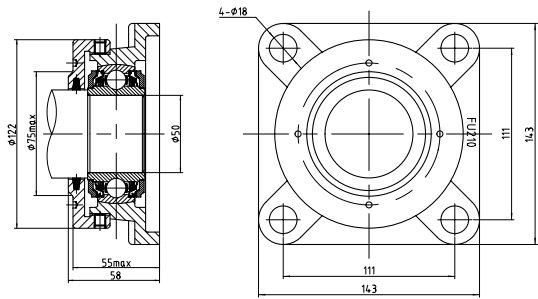
FKL: LSQFG 210 2PB.H
 INA: TCF50
 PEER: W210-50MM-MF-R-DF-A362
 HORSCH: 00240177
 240159 / 240153



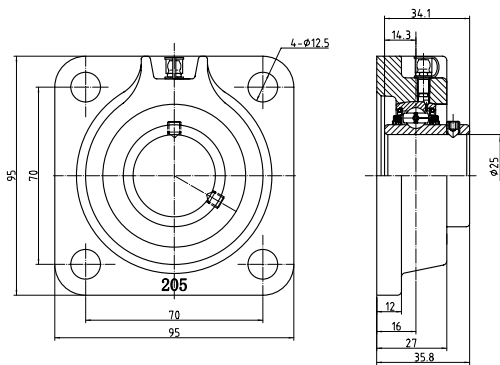
B3QTH2-UCFE308



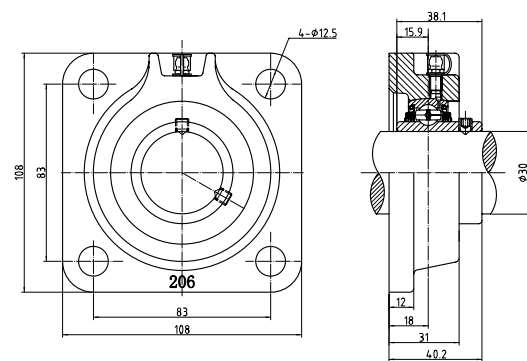
B2QTH4-CSFC212



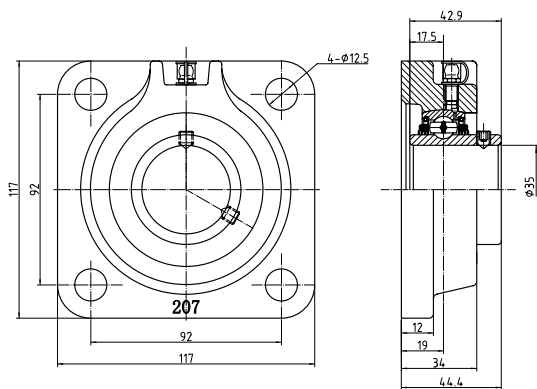
B1H1-UCFU210



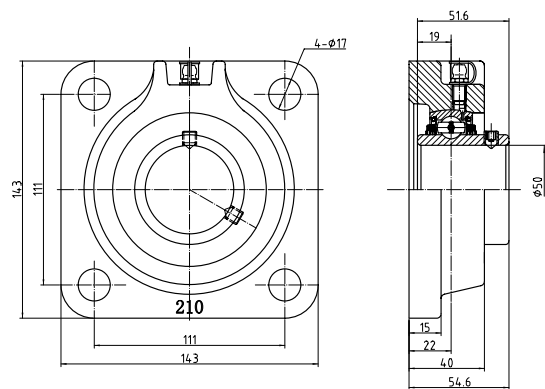
QTH2-UCF205-SJ.L3



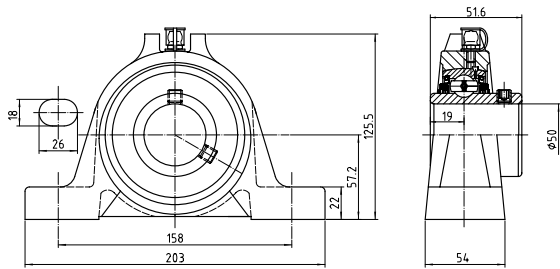
QTH2-UCF206-SJ.L3



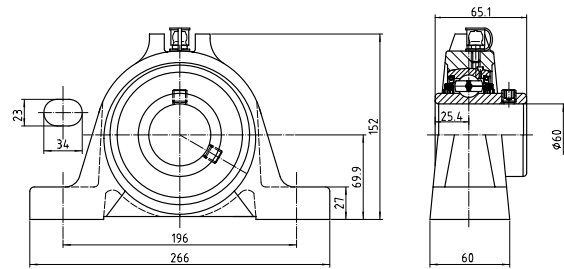
QTH2-UCF207-SJ.L3



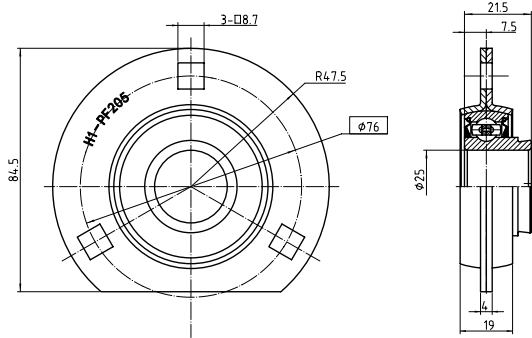
QTH2-UCF210-SJ.L3



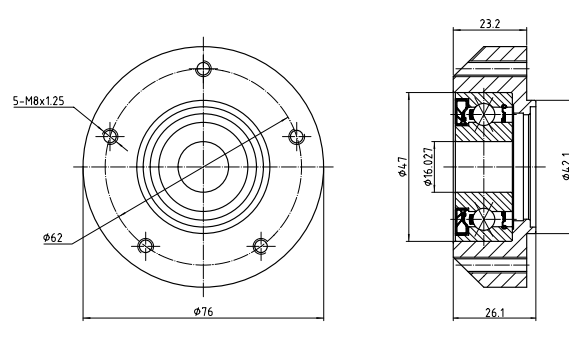
QTH5-UCP210-L3



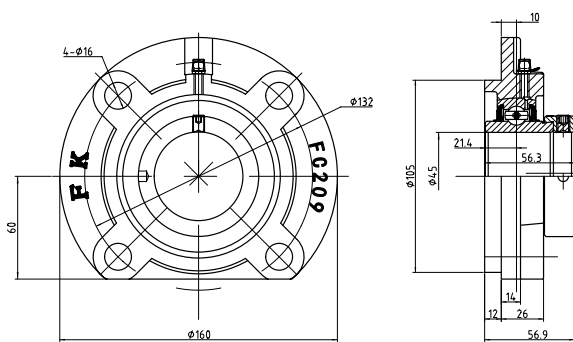
QTH5-UCP212-L3



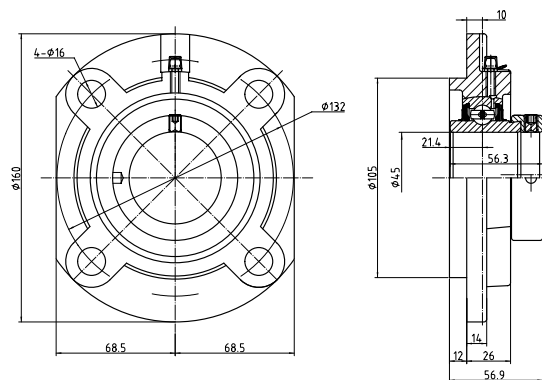
MFH1-SAPF205-NC.L3



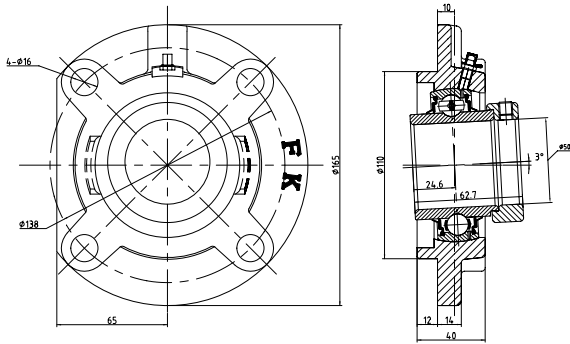
B1H1-QJFC204



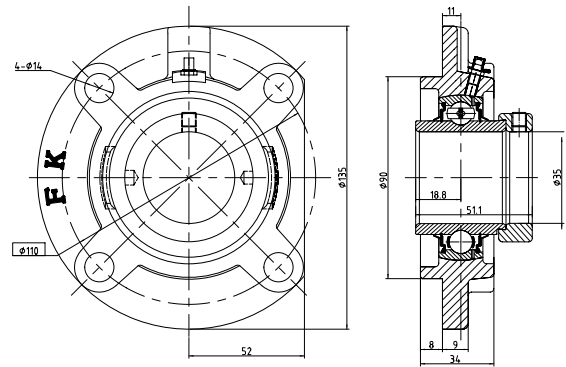
H3-HCFC209



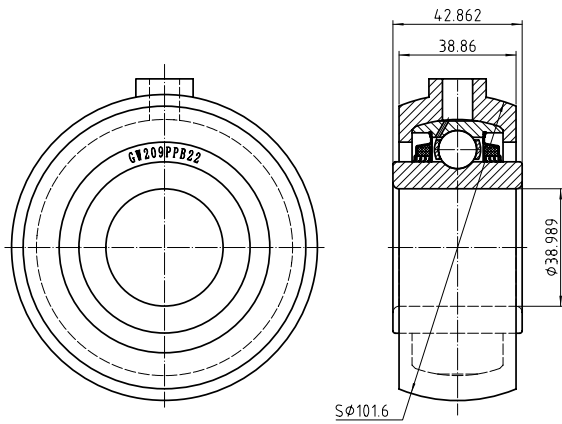
H4-HCFC209



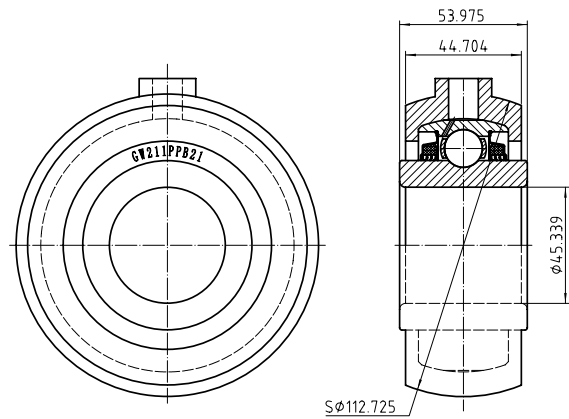
B1H3-HCFC210



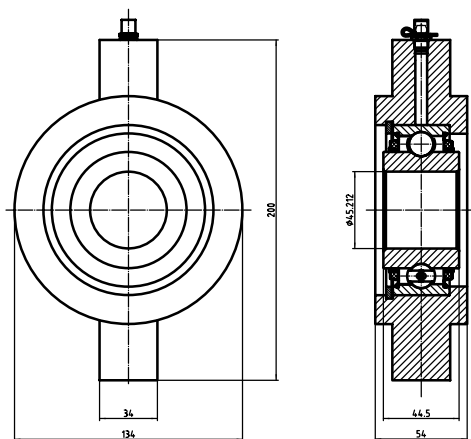
MFH3-HCFC207-F



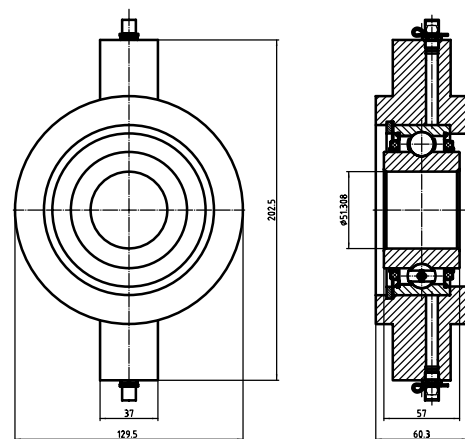
WG209PPB22+RH209



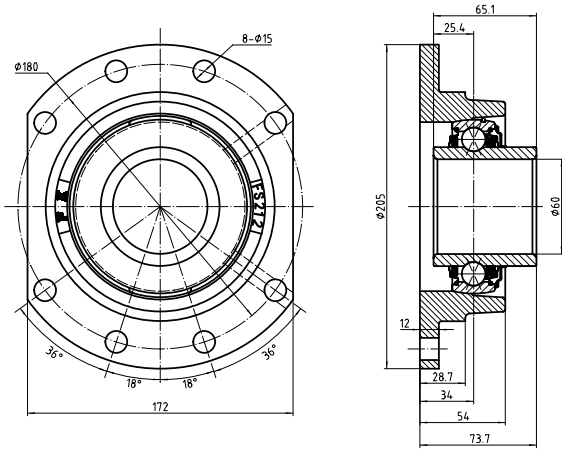
WG211PPB21+RH211



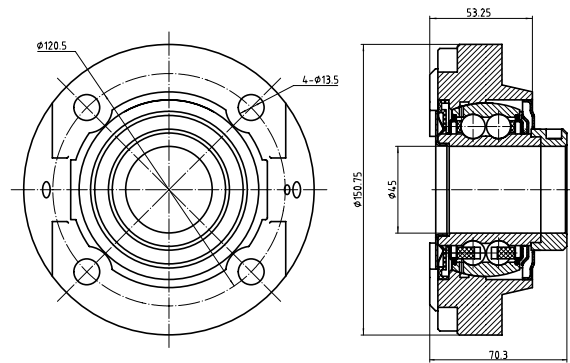
WGHG211PP25



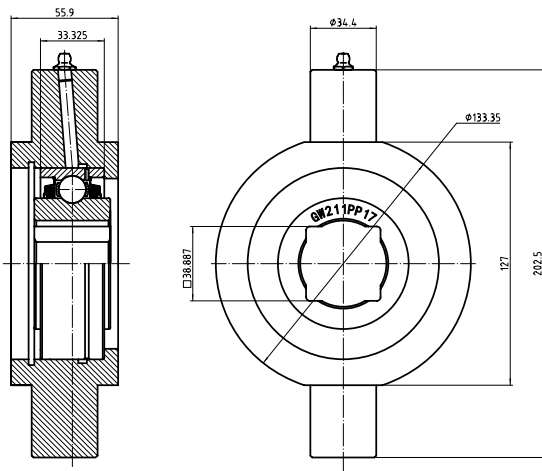
WGHGR211PP202



B1H1-QJFS212



QT-HCFE4209



GW211PP17+QT-CH211

Typical application



Loosen soil



Tillage



Seeding



Fertilizer



Harvest

Typical application



Grain Dry



Stock



silage



Bale



Mow



泛科

带座轴承专家与应用解决方案代表供应商
Bearing Units Expert and Leading Supplier



www.fk-bearing.com

FK GENERAL PRODUCTS

 **Best Selling Brand**
18 million sets per year



泛科

**The Biggest Manufacturer of
Bearing Units in The World**



泛科 带座轴承专家与应用解决方案代表供应商
泛科 Bearing Units Expert and Leading Supplier



www.fk-bearing.com

泛科 FK Products

Cover 200K M² WHOLE INDUSTRY CHAIN AUTOMATIC PRODUCTION BASE
MORE STABLE QUALITY, AGILE DELIVERY



<p>Casting parts</p>			<p>Back seal</p>			<p>Cap</p>			<p>Adapter sleeve</p>				
FK-HS High speed Axial	FK-H Air handling	FK-MF Maintenance free Long life	FK-AI Low torque rotation	FK-HT HT100C HT200C HT300C UT-40C	FK Standard 57 series, including 7 series, 8 series	FK-AgII Ag bearings	FK-C Customized	FK-HUB AG HUB UNITS	FK-QI 4 ports, center hub units	FK-SL Starless steel Profile Sliver	FK-SN Pumpkin Blocks 50/120/150L/ 50/122/220	FK-CR High Corrosion Resistant ≤ 50 ≤ 100	MZD Economic Bearing Units

Solutions for Agriculture



FK Bearing Group

Office: No.99 Xuemei Roda, Xuefeng Economic Development Zone, Nanan 361021 China
Tel: 0592-6689010 Fax: 0592-6689009
E-mail: fk@fk-bearing.com www.fk-bearing.com

website



we chat



FK CORROSION RESISTANT BEARING UNITS SOLUTIONS FOR THE FOOD AND BEVERAGE INDUSTRY



FK CORROSION RESISTANT BEARING UNITS SOLUTIONS FOR THE FOOD AND BEVERAGE INDUSTRY

Challenge and requirements of food and beverage industry

Bearings are widely used in the food and beverage industry and play an important role in the manufacturing process. Today's consumers demand safer and healthier food, it forces governments to make more stringent food safety regulations. Food and beverage producers need premium bearing that ensure machinery running and food safety, there are several issues that can impact the success of your bearings, including: extreme temperatures, operating at continuous high speeds, excessive moisture due to continuous cleaning, adhering to stringent hygiene standards and regulations, minimize downtimes. As a result, it's crucial to find a corrosion resistant bearing solution that caters to the industry needs.

About FK

Since 1969, FK Bearing is a leading manufacturer of bearing units and agricultural bearing. One of the most critical components required to help process the foods and beverages is mounted ball bearing units. FK Corrosion Resistant bearing units offer a complete range of bearing unit solutions for food and beverage industry. FK Corrosion Resistant bearing units are specifically developed to withstand frequent washdowns and support food safety. Our Corrosion Resistant bearing units outperform under the toughest of conditions. Used in industries such as Beverage bottling, Dairies, Bakeries, Meat, fruit and vegetable processing and so on.

Disclaimer

FK CORROSION RESISTANT SOLUTIONS FOR THE FOOD AND BEVERAGE INDUSTRY provides a representative overview of the food grade bearing range available from FK. We have made every effort to ensure the accuracy of the information provided in this catalog, the data included in this catalog is constantly updated, FK assumes no responsibility for any errors in this catalog.

For more information, please visit FK website www.fk-bearing.com or contact us via export@fk-bearing.com.

Corrosion resistant

FK[®] BEARING UNITS

Technical
specifications

Stainless steel
bearing units

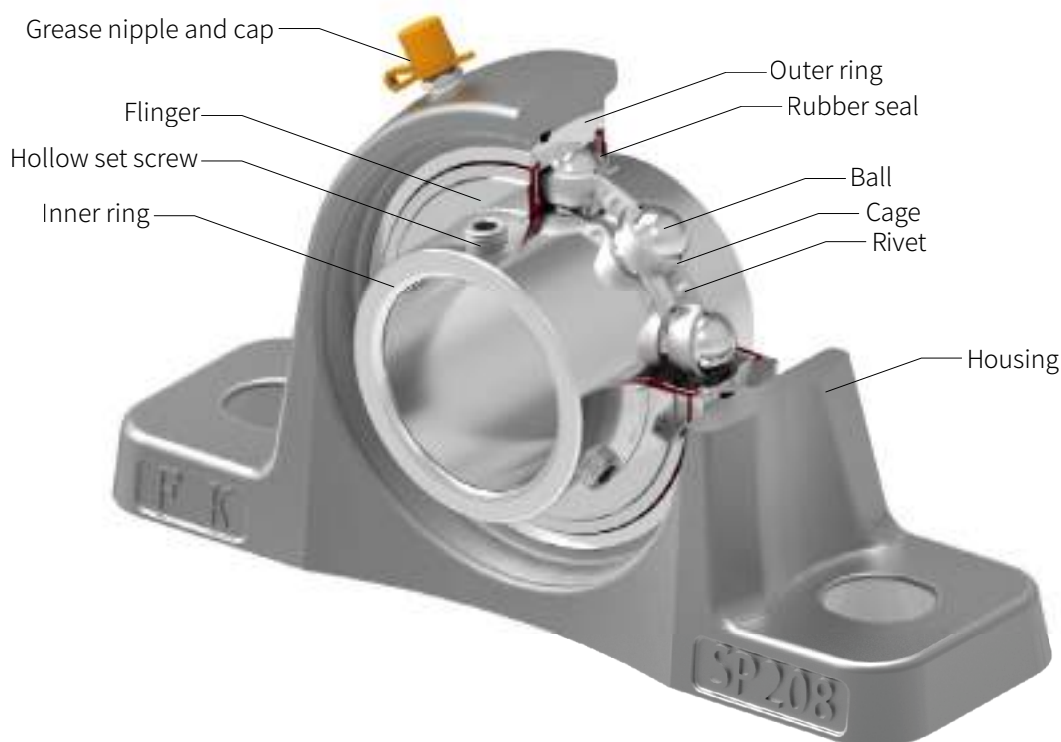
Plastic housing with
stainless steel insert

Silver series

IP69K series

Technical specifications

1. Structure of FK Corrosion Resistant Bearing Units



(A) Grease nipple: for supplying lubricating food grade grease.

(B) Hollow set screw: Two hollow set screws ensure easy and firm mounting on a shaft

(C) Housing: Stainless steel housing or PBT plastic housing

(D) Rubber seal: NBR or silicon rubber seal placed between the inner ring and the outer ring prevent lubricating grease from leaking as well as preventing moisture and dust from entry.

(E) Flinger: Stainless steel flinger excludes dust efficiently.

2. Material

Components		Material				
		GB/T1220	JIS	DIN	BSEN	ASTM
Bearing	Inner ring / Outer ring	9Cr18	SUS440C	X105GrNi18Mo17	1.4125	440C
		3Cr13	SUS420J2	X30Gr13	1.4028	420
	Ball	9Cr18	SUS440C	X105GrNi18Mo17	1.4125	440C
		3Cr13	SUS420J2	X30Gr13	1.4028	420
	Cage	0Cr18Ni9	SUS304	X5GrNi18-9	1.4301	304
	Seal	NBR、0Cr18Ni9	SUS304	X5GrNi18-9	1.4301	304
Flinger	0Cr18Ni9	SUS304	X5GrNi18-9	1.4301	304	
Housing	Stainless steel housing	0Cr18Ni9	SUS304	X5GrNi18-9	1.4301	304
	Plastic housing	PBT	-	-	-	-
	Silver series housing	ZZnAL4Cu1	-	-	-	ZAMAK #5

3. Accuracy of FK Corrosion Resistant Bearing Units

3.1 Radial Internal Clearance of Insert Bearings

3.1.1 Cylindrical bore insert bearings

Bore diameter d(mm)		C0		C2		C3(CN)		C4		C5	
over	incl.			min.	max.	min.	max.	min.	max.	min.	max.
6	10	0	7	2	13	8	23	14	29	20	37
10	18	0	9	3	18	11	25	18	33	25	45
18	24	0	10	5	20	13	28	20	36	28	48
24	30	1	11	5	20	13	28	23	41	30	53
30	40	1	11	6	20	15	33	28	46	40	64
40	50	1	11	6	23	18	36	30	51	45	73
50	65	1	15	8	28	23	43	38	61	55	90
65	80	1	15	10	30	25	51	46	71	65	105

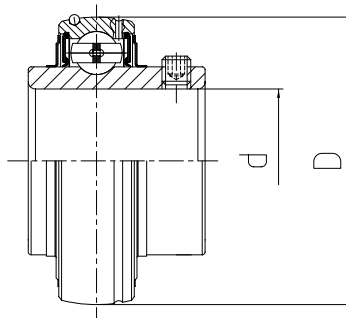
3.1.2 Tapered bore insert bearings

Bore diameter d(mm)		C2		N		C4	
over	incl.	min.	max.	min.	max.	min.	max.
6	10	8	23	14	29	20	37
10	18	10	25	18	33	25	45
18	24	12	28	20	36	28	48
24	30	12	28	23	41	30	53
30	40	13	33	28	46	40	64
40	50	14	36	30	51	45	73
50	65	18	43	38	61	55	90
65	80	20	51	46	71	65	105

3.2 Dimensional Accuracies of insert bearings

3.2.1 Accuracies of outer ring

D(mm)		ΔDmp		Kea
over	incl.	max.	min.	max.
18	30	0	-9	18
30	50	0	-11	20
50	80	0	-13	25
80	120	0	-15	35
120	150	0	-18	40

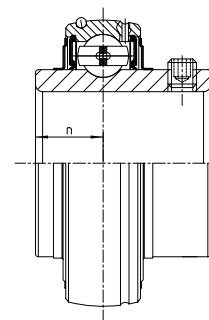


3.2.2 Accuracies of inner ring

d(mm)		Cylindrical bore insert bearing								Kia
		Bore diameter						ΔBs, ΔCs		
		UC, HC, SA, SB, SER				CS				
		Δdmp		Vdp		Δdmp		Vdp		
over	incl.	max.	min.	max.	max.	min.	max.	min.	min.	max.
6	10	+12	0	8	0	-8	6	0	-120	15
10	18	+15	0	10	0	-8	6	0	-120	15
18	30	+18	0	12	0	-10	8	0	-120	18
30	50	+21	0	14	0	-12	9	0	-120	20
50	80	+24	0	16	0	-15	11	0	-150	25

3.2.3 Tolerance in distance n from center line of outer ring to side of inner ring

Nominal dimensions of bore diameter d(mm)		Tolerance of n
over	incl.	
-	30	±0.03
30	80	±0.04



3.3 Dimensional Accuracies of housings

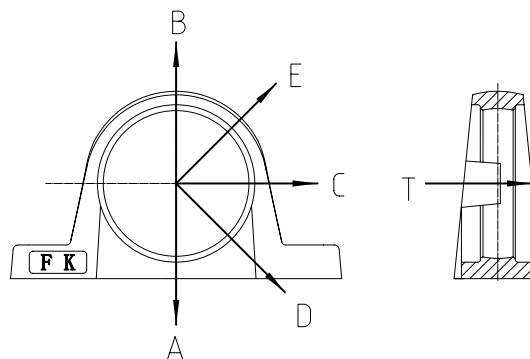
3.3.1 Tolerance of casting follows the standard in GB/T6414-1999 CT4-CT6

Casting dimension (mm)	Casting dimension (mm)		Casting dimension (mm)	Casting dimension (mm)	
	Normal	Special		Normal	Special
≤ 10	0.52	0.26	63 ~ 100	0.88	0.44
10 ~ 16	0.54	0.28	100 ~ 160	1	0.5
16 ~ 25	0.64	0.32	160 ~ 250	1.1	0.56
25 ~ 40	0.7	0.36	250 ~ 630	1.2	0.64

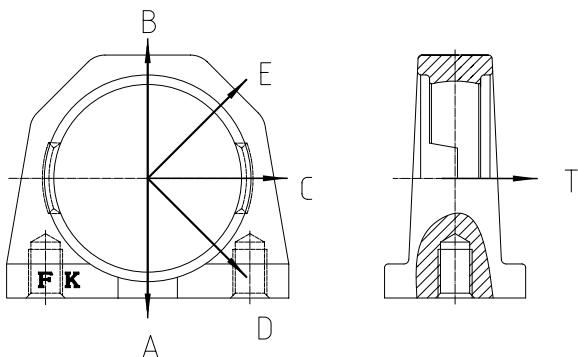
3.3.2 Tolerance of spherical bore diameter of stainless steel housings

Nominal dimensions of spherical bore diameter D.(mm)		Housing for loose fit				Housing for loose fit				Housing for loose fit			
		Symbol H				Symbol J				Symbol K			
		D1m		D1		D1m		D1		D1m		D1	
over	incl.	max.	min.	max.	min.	max.	min.	max.	min.	max.	min.	max.	min.
18	30	+21	0	+29	-4	+12	-9	+14	-13	+6	-15	+10	-19
30	50	+25	0	+30	-5	+14	-11	+19	-16	+7	-18	+12	-23
50	80	+30	0	+36	-6	+18	-12	+24	-18	+9	-21	+15	-27
80	120	+35	0	+42	-7	+22	-13	+29	-20	+10	-25	+17	-32
120	180	+40	0	+48	-8	+26	-14	+34	-22	+12	-28	+20	-36

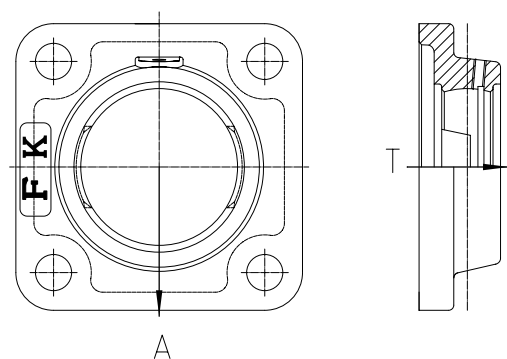
4. Destruction strength of stainless steel housing



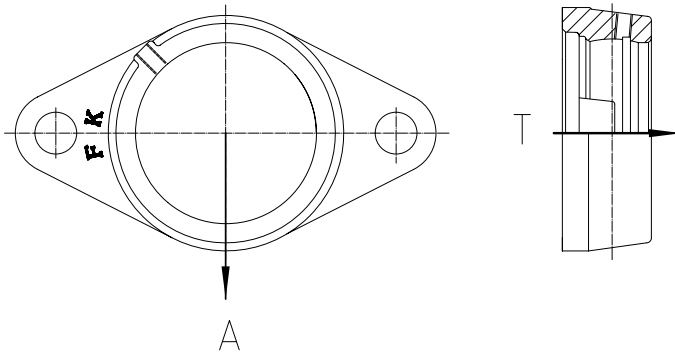
Housing No.	Direction A,D(KN)	Direction C(KN)	Direction B(KN)	Direction E(KN)	Direction T(KN)
SP201	120	90	50	40	19
SP202	120	90	50	40	19
SP203	120	90	50	40	19
SP204	160	110	66	50	34
SP205	180	120	74	56	36
SP206	240	180	100	70	44
SP207	320	200	120	88	48
SP208	360	220	130	90	50
SP209	380	240	140	98	52
SP210	380	280	150	110	64
SP211	475	350	191	262	80
SP212	587	433	236	324	99
SP213	620	440	241	341	104
SP214	650	462	254	358	109



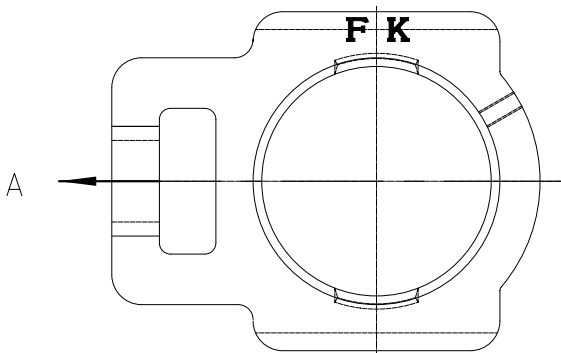
Housing No.	Direction A,D(KN)	Direction C(KN)	Direction B(KN)	Direction E(KN)	Direction T(KN)
SPA201	160	110	66	50	34
SPA202	160	110	66	50	34
SPA203	160	110	66	50	34
SPA204	160	110	66	50	34
SPA205	180	120	74	56	36
SPA206	240	180	100	70	44
SPA207	320	200	120	88	48
SPA208	360	220	130	90	50
SPA209	380	240	140	98	52
SPA210	380	280	150	110	64
SPA211	475	350	191	262	80
SPA212	587	433	236	324	99
SPA213	620	440	241	341	104



Housing No.	Direction A(KN)	Direction T(KN)
SF201	86	36
SF202	86	36
SF203	86	36
SF204	86	36
SF205	130	50
SF206	130	60
SF207	130	70
SF208	140	78
SF209	200	90
SF210	200	100
SF211	255	125
SF212	315	155
SF213	350	172
SF214	380	186

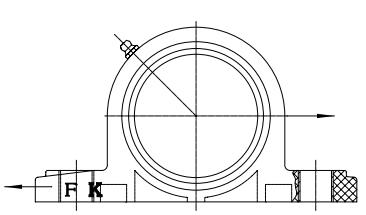
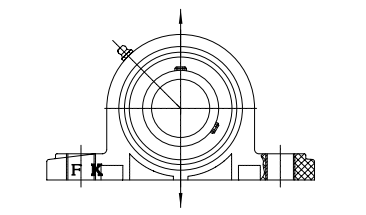
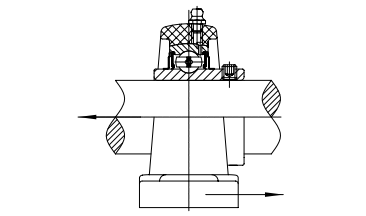


Housing No.	Direction A(KN)	Direction T(KN)
SFL201	48	24
SFL202	48	24
SFL203	48	24
SFL204	48	24
SFL205	76	32
SFL206	76	40
SFL207	80	46
SFL208	82	54
SFL209	120	64
SFL210	124	78
SFL211	155	93
SFL212	190	116
SFL213	240	149
SFL214	260	156

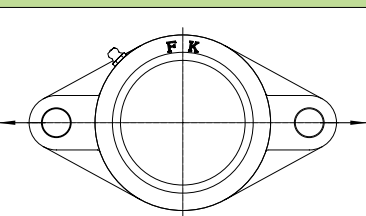
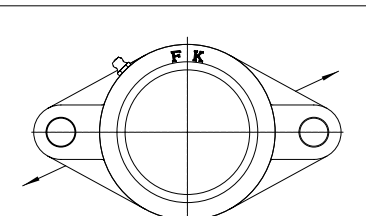
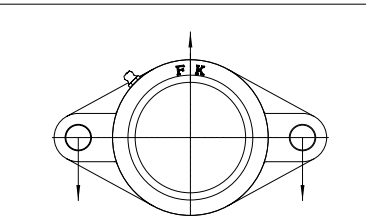


Housing No.	Direction A(KN)
ST201	66
ST202	66
ST203	66
ST204	66
ST205	74
ST206	100
ST207	120
ST208	130
ST209	140
ST210	150
ST211	260
ST212	270
ST213	310

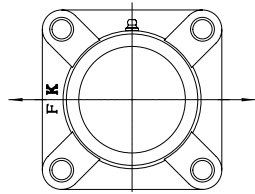
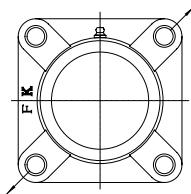
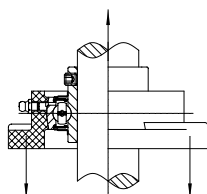
5. Breaking point of plastic housing

MODE OF LOAD	BREAKING POINT TEST(KN)											
	201	202	203	204	205	206	207	208	209	210	211	212
	88	88	88	88	137	126.5	127.5	131	133.6	138.5	143	140
	77	77	77	77	100	106	108	111	114	117.5	121	141
	50	50	50	50	81	57.5	75	85	89.5	95.5	98	142

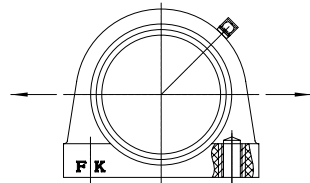
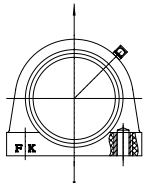
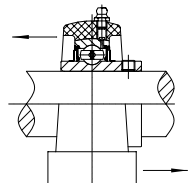
Note: Outer diameter is 47mm for 201~203 bearing

MODE OF LOAD	BREAKING POINT TEST(KN)											
	201	202	203	204	205	206	207	208	209	210	211	212
	117.5	117.5	117.5	117.5	113.75	164.5	169	173.5	176	179.5	188	198
	110	110	110	110	133.5	138.5	139.5	140.5	143	145.5	153	160
	85	85	85	85	111	142	149	149	151.5	156.5	164	173

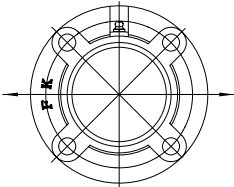
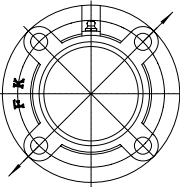
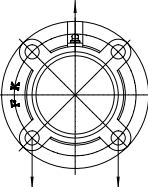
Note: Outer diameter is 47mm for 201~203 bearing

MODE OF LOAD	BREAKING POINT TEST(KN)											
	201	202	203	204	205	206	207	208	209	210	211	212
	159.5	159.5	159.5	159.5	130	180	185	191	193.5	196.5	206	217
	102.5	102.5	102.5	102.5	121.5	177	185	192.5	193.5	196.2	200	204
	36.5	36.5	36.5	36.5	33.5	33.5	35.2	37.9	38.5	39.9	41	42

Note: Outer diameter is 47mm for 201~203 bearing

MODE OF LOAD	BREAKING POINT TEST(KN)											
	201	202	203	204	205	206	207	208	209	210	211	212
	82.1	82.1	82.1	82.1	85.4	103.7	121.5	122.3	129	138.5	147	156
	69	69	69	69	70.1	65.8	80.8	91	104	110.5	117	124
	29.8	29.8	29.8	29.8	28.5	49.5	81.6	98	107.1	113.6	120	128

Note: Outer diameter is 47mm for 201~203 bearing

MODE OF LOAD	BREAKING POINT TEST(KN)											
	201	202	203	204	205	206	207	208	209	210	211	212
	82.1	82.1	82.1	82.1	85.4	103.7	121.5	122.3	129	138.5	206	217
	69	69	69	69	70.1	65.8	80.8	91	104	110.5	200	204
	29.8	29.8	29.8	29.8	28.5	49.5	81.6	98	107.1	113.6	164	173

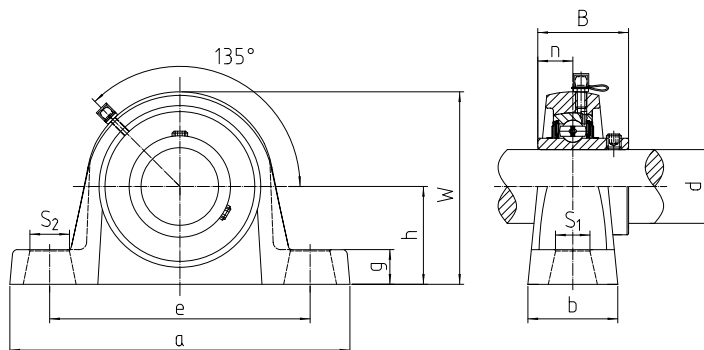
Note: Outer diameter is 47mm for 201~203 bearing

6. Proper tightening torque of setscrews

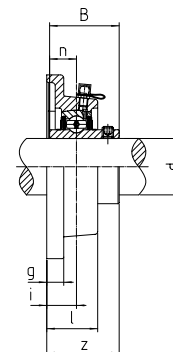
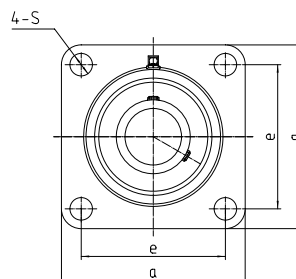
Setscrew	Tightening torque	Setscrew	Tightening torque
(Metric)	N.M(max)	(Inch)	lbf.in(max)
M5×0.8	4.4	10-32UNF	38.9
M6×1	7.6	1/4-28UNF	67.3
M8×1	17.6	5/16-24UNF	155.8
M10×1	35.1	3/8-24UNF	310.6
M12×1.5	60.9	3/8-24UNF	310.6
M12×1.5	60.9	7/16-20UNF	490.0



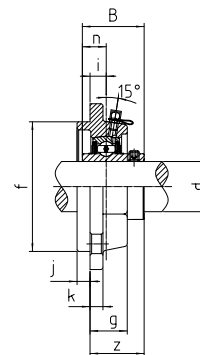
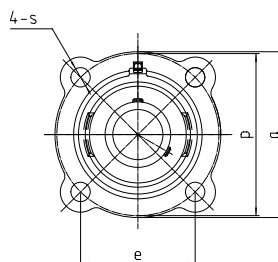
Stainless steel bearing units



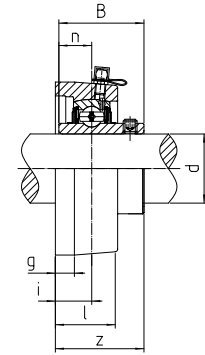
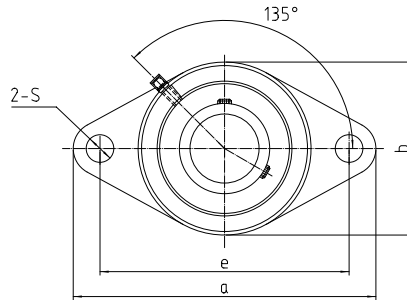
Unit NO.	Dimensions (mm / in.)											Bolt Size mm in.	Bearing No.	Housing No.	Weight (kg)
	d	h	a	e	b	s1	s2	g	w	B	n				
SS-UCSP201	12	30.2	127.0	95.0	38.0	13.0	19.0	12.0	61.0	31.0	12.7	M10	SS-UC201	SP201	0.66
201-8	1/2	1-3/16	5	3-3/4	1-1/2	1/2	3/4	15/32	2-13/32	1.2205	0.500	3/8	SS-UC201-8		0.65
SS-UCSP202	15	30.2	127.0	95.0	38.0	13.0	19.0	12.0	61.0	31.0	12.7	M10	SS-UC202	SP202	0.65
202-9	9/16	1-3/16	5	3-3/4	1-1/2	1/2	3/4	15/32	2-13/32	1.2205	0.500	3/8	SS-UC202-9		0.65
202-10	5/8												SS-UC202-10	0.65	
SS-UCSP203	17	30.2	127.0	95.0	38.0	13.0	19.0	12.0	61.0	31.0	12.7	M10	SS-UC203	SP203	0.64
203-11	11/16	1-3/16	5	3-3/4	1-1/2	1/2	3/4	15/32	2-13/32	1.2205	0.500	3/8	SS-UC203-11		0.63
SS-UCSP204	20	33.3	127.0	95.0	38.0	13.0	19.0	12.0	64.0	31.0	12.7	M10	SS-UC204	SP204	0.64
204-12	3/4	1-5/16	5	3-3/4	1-1/2	1/2	3/4	15/32	2-33/64	1.2205	0.500	3/8	SS-UC204-12		0.64
SS-UCSP205	25	36.5	140.0	105.0	38.0	13.0	19.0	13.0	70.0	34.1	14.3	M10	SS-UC205	SP205	0.76
205-13	13/16	1-7/16	5-1/2	4-1/8	1-1/2	1/2	3/4	33/64	2-3/4	1.3425	0.563	3/8	SS-UC205-13		0.80
205-14	7/8												SS-UC205-14		0.79
205-15	15/16												SS-UC205-15		0.77
205-16	1												SS-UC205-16		0.76
SS-UCSP206	30												42.9	160.0	121.0
206-17	1-1/16	1-11/16	6-19/64	4-3/4	1-47/64	43/64	25/32	19/32	3-15/64	1.5000	0.626	1/2	SS-UC206-17	1.16	
206-18	1-1/8												SS-UC206-18	1.17	
206-19	1-3/16												SS-UC206-19	1.15	
206-20	1-1/4												SS-UC206-20	1.14	
SS-UCSP207	35												47.6	167.0	127.0
207-20	1-1/4	1-7/8	6-9/16	5	1-7/8	43/64	25/32	19/32	3-37/64	1.6890	0.689	1/2	SS-UC207-20	1.52	
207-21	1-5/16												SS-UC207-21	1.48	
207-22	1-3/8												SS-UC207-22	1.45	
207-23	1-7/16												SS-UC207-23	1.42	
SS-UCSP208	40												49.2	184.0	137.0
208-24	1-1/2	1-15/16	7-1/4	5-13/32	2-1/8	43/64	25/32	19/32	3-55/64	1.9370	0.748	1/2	SS-UC208-24	1.92	
208-25	1-9/16												SS-UC208-25	1.89	
SS-UCSP209	45												54.0	190.0	146.0
209-26	1-5/8	2-1/8	7-15/32	5-3/4	2-1/8	43/64	25/32	5/8	4-9/64	1.9370	0.748	1/2	SS-UC209-26	2.19	
209-27	1-11/16												SS-UC209-27	2.15	
209-28	1-3/4												SS-UC209-28	2.11	
SS-UCSP210	50												57.2	206.0	159.0
210-29	1-13/16	2-1/4	8-1/8	6-1/4	2-3/8	25/32	29/32	43/64	4-3/8	2.0315	0.748	5/8	SS-UC210-29	2.67	
210-30	1-7/8												SS-UC210-30	2.62	
210-31	1-15/16												SS-UC210-31	2.57	
210-32	2												SS-UC210-32	2.53	
SS-UCSP211	55												63.5	219.0	171.0
211-32	2	2-1/2	8-5/8	6-47/64	2-3/8	25/32	29/32	23/32	4-27/32	2.1890	0.874	5/8	SS-UC211-32	3.35	
211-33	2-1/16												SS-UC211-33	3.29	
211-34	2-1/8												SS-UC211-34	3.24	
211-35	2-3/16												SS-UC211-35	3.17	
SS-UCSP212	60												69.8	241.0	184.0
212-36	2-1/4	2-3/4	9-1/2	7-1/4	2-3/4	25/32	29/32	51/64	5-23/64	2.5630	1.000	5/8	SS-UC212-36	4.59	
212-37	2-5/16												SS-UC212-37	4.51	
212-38	2-3/8												SS-UC212-38	4.43	
212-39	2-7/16												SS-UC212-39	4.36	
SS-UCSP213	65												76.2	265.0	203.0
213-40	2-1/2	3	10-7/16	8	2-3/4	63/64	1-3/32	7/8	5-53/64	2.5630	1.000	3/4	SS-UC213-40	5.39	
213-41	2-9/16												SS-UC213-41	5.30	
SS-UCSP214	70												79.4	266.0	210.0
214-42	2-5/8	3-1/8	10-15/32	8-17/64	2-27/32	63/64	1-3/32	7/8	6-5/64	2.9370	1.189	3/4	SS-UC214-42	6.07	
214-43	2-11/16												SS-UC214-43	5.97	
214-44	2-3/4												SS-UC214-44	5.87	



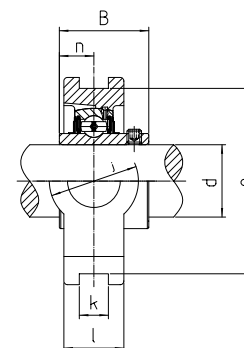
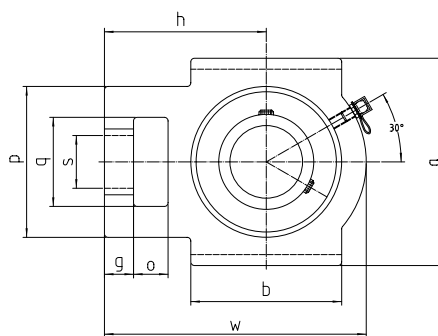
Unit NO.	Dimensions (mm / in.)										Bolt Size mm in.	Bearing No.	Housing No.	Weight (kg)
	d	a	e	i	g	l	s	z	B	n				
SS-UCSF201	12	86.0	64.0	15.0	9.0	25.5	12.0	33.3	31.0	12.7	M10	SS-UC201	SF201	0.59
201-8	1/2	3-3/8	2-33/64	19/32	23/64	1	15/32	1-5/16	1.2205	0.500	3/8	SS-UC201-8		0.58
SS-UCSF202	15	86.0	64.0	15.0	9.0	25.5	12.0	33.3	31.0	12.7	M10	SS-UC202	SF202	0.58
202-9	9/16	3-3/8	2-33/64	19/32	23/64	1	15/32	1-5/16	1.2205	0.500	3/8	SS-UC202-9		0.58
202-10	5/8											SS-UC202-10	0.58	
SS-UCSF203	17	86.0	64.0	15.0	9.0	25.5	12.0	33.3	31.0	12.7	M10	SS-UC203	SF203	0.57
203-11	11/16	3-3/8	2-33/64	19/32	23/64	1	15/32	1-5/16	1.2205	0.500	3/8	SS-UC203-11		0.56
SS-UCSF204	20	86.0	64.0	15.0	9.0	25.5	12.0	33.3	31.0	12.7	M10	SS-UC204	SF204	0.55
204-12	3/4	3-3/8	2-33/64	19/32	23/64	1	15/32	1-5/16	1.2205	0.500	3/8	SS-UC204-12		0.55
SS-UCSF205	25	95.0	70.0	16.0	11.0	27.0	12.0	35.8	34.1	14.3	M10	SS-UC205	SF205	0.73
205-13	13/16	3-3/4	2-3/4	5/8	7/16	1-1/16	15/32	1-13/32	1.3425	0.563	3/8	SS-UC205-13		0.77
205-14	7/8											SS-UC205-14		0.76
205-15	15/16											SS-UC205-15		0.74
205-16	1											SS-UC205-16		0.73
SS-UCSF206	30											108.0	83.0	18.0
206-17	1-1/16	4-1/4	3-17/64	45/64	7/16	1-7/32	15/32	1-19/32	1.5000	0.626	3/8	SS-UC206-17	SF206	1.03
206-18	1-1/8											SS-UC206-18		1.04
206-19	1-3/16											SS-UC206-19		1.02
206-20	1-1/4											SS-UC206-20		1.01
SS-UCSF207	35											117.0		92.0
207-20	1-1/4	4-39/64	3-5/8	3/4	15/32	1-11/32	35/64	1-3/4	1.6890	0.689	7/16	SS-UC207-20	SF207	1.40
207-21	1-5/16											SS-UC207-21		1.37
207-22	1-3/8											SS-UC207-22		1.34
207-23	1-7/16											SS-UC207-23		1.31
SS-UCSF208	40											130.0		102.0
208-24	1-1/2	5-1/8	4-1/64	53/64	15/32	1-27/64	5/8	2-1/64	1.9370	0.748	1/2	SS-UC208-24	SF208	1.71
208-25	1-9/16											SS-UC208-25		1.68
SS-UCSF209	45											137.0		105.0
209-26	1-5/8	5-13/32	4-9/64	55/64	9/16	1-1/2	5/8	2-1/16	1.9370	0.748	1/2	SS-UC209-26	SF209	2.10
209-27	1-11/16											SS-UC209-27		2.06
209-28	1-3/4											SS-UC209-28		2.02
SS-UCSF210	50											143.0		111.0
210-29	1-13/16	5-5/8	4-3/8	55/64	9/16	1-9/16	5/8	2-5/32	2.0315	0.748	1/2	SS-UC210-29	SF210	2.44
210-30	1-7/8											SS-UC210-30		2.39
210-31	1-15/16											SS-UC210-31		2.34
210-32	2											SS-UC210-32		2.30
SS-UCSF211	55											162.0		130.0
211-32	2	6-3/8	5-1/8	63/64	41/64	1-11/16	3/4	2-5/16	2.1890	0.874	5/8	SS-UC211-32	SF211	3.10
211-33	2-1/16											SS-UC211-33		3.04
211-34	2-1/8											SS-UC211-34		3.00
211-35	2-3/16											SS-UC211-35		2.93
SS-UCSF212	60											175.0		143.0
212-36	2-1/4	6-57/64	5-5/8	1-9/64	41/64	1-57/64	3/4	2-45/64	2.5630	1.000	5/8	SS-UC212-36	SF212	3.89
212-37	2-5/16											SS-UC212-37		3.81
212-38	2-3/8											SS-UC212-38		3.73
212-39	2-7/16											SS-UC212-39		3.66
SS-UCSF213	65											187.0		149.0
213-40	2-1/2	7-23/64	5-55/64	1-3/16	23/32	1-31/32	3/4	2-3/4	2.5630	1.000	5/8	SS-UC213-40	SF213	4.60
213-41	2-9/16											SS-UC213-41		4.51
SS-UCSF214	70	193.0	152.0	31.0	18.0	54.0	19.0	75.4	74.6	30.2	M16	SS-UC214	5.16	
214-42	2-5/8	7-19/32	5-63/64	1-7/32	23/32	2-1/8	3/4	2-31/32	2.9370	1.189	5/8	SS-UC214-42	SF214	5.37
214-43	2-11/16											SS-UC214-43		5.27
214-44	2-3/4											SS-UC214-44		5.17



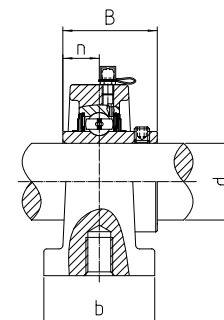
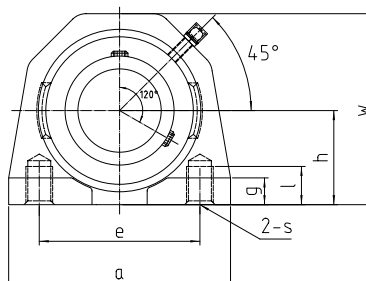
Unit NO.	Dimensions (mm / in.)													Bolt Size mm in.	Bearing No.	Housing No.	Weight (kg)
	d	a	p	e	s	i	j	k	g	z	f	B	n				
SS-UCSFC201	12	100.0	78.0	55.1	12.0	10.0	5.0	6.0	20.5	28.3	62.0	31.0	12.7	M10	SS-UC201	SFC201	0.50
201-8	1/2	3-15/16	3-5/64	2-11/64	15/32	25/64	13/64	15/64	13/16	1-1/8	2.4409	1.2205	0.500	3/8	SS-UC201-8		0.49
SS-UCSFC202	15	100.0	78.0	55.1	12.0	10.0	5.0	6.0	20.5	28.3	62.0	31.0	12.7	M10	SS-UC202	SFC202	0.49
202-9	9/16	3-15/16	3-5/64	2-11/64	15/32	25/64	13/64	15/64	13/16	1-1/8	2.4409	1.2205	0.500	3/8	SS-UC202-9		0.49
202-10	5/8														SS-UC202-10	0.49	
SS-UCSFC203	17	100.0	78.0	55.1	12.0	10.0	5.0	6.0	20.5	28.3	62.0	31.0	12.7	M10	SS-UC203	SFC203	0.48
203-11	11/16	3-15/16	3-5/64	2-11/64	15/32	25/64	13/64	15/64	13/16	1-1/8	2.4409	1.2205	0.500	3/8	SS-UC203-11		0.47
SS-UCSFC204	20	100.0	78.0	55.1	12.0	10.0	5.0	6.0	20.5	28.3	62.0	31.0	12.7	M10	SS-UC204	SFC204	0.46
204-12	3/4	3-15/16	3-5/64	2-11/64	15/32	25/64	13/64	15/64	13/16	1-1/8	2.4409	1.2205	0.500	3/8	SS-UC204-12		0.46
SS-UCSFC205	25	115.0	90.0	63.6	12.0	10.0	6.0	6.0	21.0	29.8	70.0	34.1	14.3	M10	SS-UC205	SFC205	0.59
205-13	13/16	4-17/32	3-35/64	2-1/2	15/32	25/64	15/64	15/64	53/64	1-11/64	2.7559	1.3425	0.563	3/8	SS-UC205-13		0.63
205-14	7/8														SS-UC205-14		0.62
205-15	15/16														SS-UC205-15		0.60
205-16	1														SS-UC205-16		0.59
SS-UCSFC206	30														125.0	100.0	70.7
206-17	1-1/16	4-59/64	3-15/16	2-25/32	15/32	25/64	5/16	5/16	29/32	1-17/64	3.1496	1.5000	0.626	3/8	SS-UC206-17	0.81	
206-18	1-1/8														SS-UC206-18	0.82	
206-19	1-3/16														SS-UC206-19	0.80	
206-20	1-1/4														SS-UC206-20	0.79	
SS-UCSFC207	35														135.0	110.0	77.8
207-20	1-1/4	5-5/16	4-21/64	3-1/16	35/64	7/16	5/16	23/64	1-1/32	1-7/16	3.5433	1.6890	0.689	7/16	SS-UC207-20	1.17	
207-21	1-5/16														SS-UC207-21	1.13	
207-22	1-3/8														SS-UC207-22	1.10	
207-23	1-7/16														SS-UC207-23	1.07	
SS-UCSFC208	40														145.0	120.0	84.8
208-24	1-1/2	5-45/64	4-23/32	3-11/32	35/64	7/16	25/64	23/64	1-1/32	1-5/8	3.9370	1.9370	0.748	7/16	SS-UC208-24	1.42	
208-25	1-9/16														SS-UC208-25	1.39	
SS-UCSFC209	45	160.0	132.0	93.3	16.0	10.0	12.0	10.0	25.0	40.2	105.0	49.2	19.0	M14	SS-UC209	SFC209	1.76
209-26	1-5/8	6-19/64	5-13/64	3-43/64	5/8	25/64	15/32	13/32	1-1/32	1-37/64	4.1339	1.9370	0.748	1/2	SS-UC209-26		1.86
209-27	1-11/16														SS-UC209-27		1.82
209-28	1-3/4														SS-UC209-28		1.78
SS-UCSFC210	50														165.0	138.0	97.6
210-29	1-13/16	6-1/2	5-7/16	3-27/32	5/8	25/64	15/32	13/32	1-1/32	1-11/16	4.3307	2.0315	0.748	1/2	SS-UC210-29	2.12	
210-30	1-7/8														SS-UC210-30	2.07	
210-31	1-15/16														SS-UC210-31	2.02	
210-32	2														SS-UC210-32	1.98	
SS-UCSFC211	55														185.0	150.0	106.1
211-32	2	7-9/32	5-29/32	4-3/16	3/4	33/64	15/32	33/64	1-21/32	1-53/64	4.9213	2.1890	0.874	5/8	SS-UC211-32	3.05	
211-33	2-1/16														SS-UC211-33	2.99	
211-34	2-1/8														SS-UC211-34	2.95	
211-35	2-3/16														SS-UC211-35	2.88	
SS-UCSFC212	60														195.0	160.0	113.1
212-36	2-1/4	7-11/16	6-19/64	4-29/64	3/4	43/64	15/32	9/16	1-27/64	2-15/64	5.3150	2.5630	1.000	5/8	SS-UC212-36	3.94	
212-37	2-5/16														SS-UC212-37	3.86	
212-38	2-3/8														SS-UC212-38	3.78	
212-39	2-7/16														SS-UC212-39	3.71	
SS-UCFC213	65														180	170	120.2
213-40	2-1/2	7-3/32	6-11/16	4-47/64	3/4	5/8	35/64	19/32	1-27/64	2-3/16	5.7087	2.5630	1.000	5/8	SS-UC213-40	4.60	
213-41	2-9/16														SS-UC213-41	4.51	
SS-UCFC214	70	187	177	125.1	19	17	14	18	40	61.4	150.0	74.6	30.2	M16	SS-UC214	SFC214	5.41
214-42	1-5/8	7-23/64	6-31/32	4-59/64	3/4	43/64	35/64	23/32	1-37/64	2-13/32	5.9055	2.9370	1.189	5/8	SS-UC214-42		5.62
214-43	1-11/16														SS-UC214-43		5.52
214-44	1-3/4														SS-UC214-44		5.42



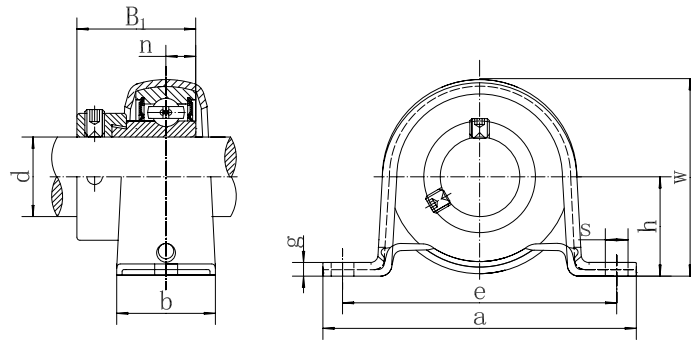
Unit NO.	Dimensions (mm / in.)											Bolt Size mm in.	Bearing No.	Housing No.	Weight (kg)
	d	a	e	i	g	l	s	b	z	B	n				
SS-UCSFL201	12	113.0	90.0	15.0	10.0	25.5	12.0	60.0	33.3	31.0	12.7	M10	SS-UC201	SFL201	0.46
201-8	1/2	4-7/16	3-35/64	19/32	25/64	1	15/32	2-3/8	1-5/16	1.2205	0.500	3/8	SS-UC201-8		0.45
SS-UCSFL202	15	113.0	90.0	15.0	10.0	25.5	12.0	60.0	33.3	31.0	12.7	M10	SS-UC202	SFL202	0.45
202-9	9/16	4-7/16	3-35/64	19/32	25/64	1	15/32	2-3/8	1-5/16	1.2205	0.500	3/8	SS-UC202-9		0.45
202-10	5/8												SS-UC202-10		0.45
SS-UCSFL203	17	113.0	90.0	15.0	10.0	25.5	12.0	60.0	33.3	31.0	12.7	M10	SS-UC203	SFL203	0.44
203-11	11/16	4-7/16	3-35/64	19/32	25/64	1	15/32	2-3/8	1-5/16	1.2205	0.500	3/8	SS-UC203-11		0.43
SS-UCSFL204	20	113.0	90.0	15.0	10.0	25.5	12.0	60.0	33.3	31.0	12.7	M10	SS-UC204	SFL204	0.42
204-12	3/4	4-7/16	3-35/64	19/32	25/64	1	15/32	2-3/8	1-5/16	1.2205	0.500	3/8	SS-UC204-12		0.42
SS-UCSFL205	25	130.0	99.0	16.0	12.0	27.0	16.0	67.0	35.8	34.1	14.3	M14	SS-UC205	SFL205	0.59
205-13	13/16	5-1/8	3-57/64	5/8	31/64	1-1/16	5/8	2-41/64	1-13/32	1.3425	0.563	1/2	SS-UC205-13		0.63
205-14	7/8												SS-UC205-14		0.62
205-15	15/16												SS-UC205-15		0.60
205-16	1												SS-UC205-16		0.59
205-16	1														
SS-UCSFL206	30	148.0	117.0	18.0	12.0	31.0	16.0	78.0	40.2	38.1	15.9	M14	SS-UC206	SFL206	0.83
206-17	1-1/16	5-13/16	4-39/64	45/64	31/64	1-7/32	5/8	3-5/64	1-19/32	1.5000	0.626	1/2	SS-UC206-17		0.84
206-18	1-1/8												SS-UC206-18		0.85
206-19	1-3/16												SS-UC206-19		0.83
206-20	1-1/4												SS-UC206-20		0.82
206-20	1-1/4														
SS-UCSFL207	35	161.0	130.0	19.0	12.0	33.0	16.0	88.0	44.4	42.9	17.5	M14	SS-UC207	SFL207	1.08
207-20	1-1/4	6-11/32	5-1/8	3/4	31/64	1-19/64	5/8	3-15/32	1-3/4	1.6890	0.689	1/2	SS-UC207-20		1.15
207-21	1-5/16												SS-UC207-21		1.11
207-22	1-3/8												SS-UC207-22		1.08
207-23	1-7/16												SS-UC207-23		1.05
207-23	1-7/16														
SS-UCSFL208	40	175.0	144.0	21.0	12.0	35.0	16.0	98.0	51.2	49.2	19.0	M14	SS-UC208	SFL208	1.38
208-24	1-1/2	6-7/8	5-43/64	53/64	31/64	1-3/8	5/8	3-55/64	2-1/64	1.9370	0.748	1/2	SS-UC208-24		1.42
208-25	1-9/16												SS-UC208-25		1.39
SS-UCSFL209	45	188.0	148.0	22.0	14.0	37.0	19.0	106.0	52.2	49.2	19.0	M16	SS-UC209	SFL209	1.66
209-26	1-5/8	7-13/32	5-53/64	55/64	9/16	1-29/64	3/4	4-11/64	2-1/16	1.9370	0.748	5/8	SS-UC209-26		1.76
209-27	1-11/16												SS-UC209-27		1.72
209-28	1-3/4												SS-UC209-28		1.68
209-28	1-3/4														
SS-UCSFL210	50	197.0	157.0	22.0	14.0	38.0	19.0	113.0	54.6	51.6	19.0	M16	SS-UC210	SFL210	1.85
210-29	1-13/16	7-3/4	6-3/16	55/64	9/16	1-1/2	3/4	4-29/64	2-5/32	2.0315	0.748	5/8	SS-UC210-29		1.97
210-30	1-7/8												SS-UC210-30		1.92
210-31	1-15/16												SS-UC210-31		1.87
210-32	2												SS-UC210-32		1.83
210-32	2														
SS-UCSFL211	55	224.0	184.0	25.0	16.0	41.0	19.0	128.0	58.4	55.6	22.2	M16	SS-UC211	SFL211	2.70
211-32	2	8-13/16	7-1/4	63/64	41/64	1-5/8	3/4	5-3/64	2-5/16	2.1890	0.874	5/8	SS-UC211-32		2.85
211-33	2-1/16												SS-UC211-33		2.79
211-34	2-1/8												SS-UC211-34		2.75
211-35	2-3/16												SS-UC211-35		2.68
211-35	2-3/16														
SS-UCSFL212	60	250.0	202.0	29.0	16.0	47.0	23.0	138.0	68.7	65.1	25.4	M20	SS-UC212	SFL212	3.67
212-36	2-1/4	9-27/32	7-61/64	1-9/64	41/64	1-55/64	29/32	5-7/16	2-23/32	2.5630	1.000	3/4	SS-UC212-36		3.79
212-37	2-5/16												SS-UC212-37		3.71
212-38	2-3/8												SS-UC212-38		3.63
212-39	2-7/16												SS-UC212-39		3.56
212-39	2-7/16														
SS-UCSFL213	65	258.0	210.0	30.0	20.0	50.0	23.0	155.0	69.7	65.1	25.4	M20	SS-UC213	SFL213	4.81
213-40	2-1/2	10-5/32	8-17/64	1-3/16	25/32	1-31/32	29/32	6-3/32	2-3/4	2.5630	1.000	3/4	SS-UC213-40		4.90
213-41	2-9/16												SS-UC213-41		4.81
SS-UCSFL214	70	265.0	216.0	31.0	20.0	54.0	23.0	160.0	75.4	74.6	30.2	M20	SS-UC214	SFL214	5.36
214-42	2-5/8	10-7/16	8-1/2	1-7/32	25/32	2-1/8	29/32	6-5/16	2-31/32	2.9370	1.189	3/4	SS-UC214-42		5.57
214-43	2-11/16												SS-UC214-43		5.47
214-44	2-3/4												SS-UC214-44		5.37



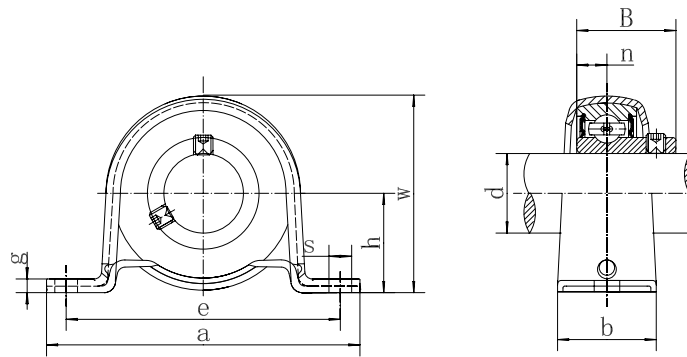
Unit NO.	Dimensions (mm / in.)																Bearing No.	Housing No.	Weight (kg)
	d	o	g	p	q	s	b	k	e	a	w	j	l	h	B1	n			
SS-UCST201	12	18.0	9.0	48.0	32.0	19.0	50.0	12.0	76.0	89.0	93.0	32.0	21.0	60.0	31.0	12.7	SS-UC201	ST201	0.79
201-8	1/2	23/32	23/64	1-7/8	1-1/4	3/4	1-31/32	15/32	2-63/64	3-1/2	3-21/32	1-1/4	53/64	2-23/64	1.2205	0.500	SS-UC201-8		0.78
SS-UCST202	15	18.0	9.0	48.0	32.0	19.0	50.0	12.0	76.0	89.0	93.0	32.0	21.0	60.0	31.0	12.7	SS-UC202	ST202	0.78
202-9	9/16	23/32	23/64	1-7/8	1-1/4	3/4	1-31/32	15/32	2-63/64	3-1/2	3-11/32	1-1/4	53/64	2-23/64	1.2205	0.500	SS-UC202-9		0.78
202-10	5/8	23/32	23/64	1-7/8	1-1/4	3/4	1-31/32	15/32	2-63/64	3-1/2	3-11/32	1-1/4	53/64	2-23/64	1.2205	0.500	SS-UC202-10	0.78	
SS-UCST203	17	18.0	9.0	48.0	32.0	19.0	50.0	12.0	76.0	89.0	93.0	32.0	21.0	60.0	31.0	12.7	SS-UC203	ST203	0.77
203-11	11/16	23/32	23/64	1-7/8	1-1/4	3/4	1-31/32	15/32	2-63/64	3-1/2	3-11/32	1-1/4	53/64	2-23/64	1.2205	0.500	SS-UC203-11		0.76
SS-UCST204	20	18.0	9.0	48.0	32.0	19.0	50.0	12.0	76.0	89.0	93.0	32.0	21.0	60.0	31.0	12.7	SS-UC204	ST204	0.75
204-12	3/4	23/32	23/64	1-7/8	1-1/4	3/4	1-31/32	15/32	2-63/64	3-1/2	3-11/32	1-1/4	53/64	2-23/64	1.2205	0.500	SS-UC204-12		0.75
SS-UCST205	25	18.0	9.0	48.0	32.0	19.0	50.0	12.0	76.0	89.0	95.0	32.0	24.0	61.0	34.1	14.3	SS-UC205	ST205	0.80
205-13	13/16	23/32	23/64	1-7/8	1-1/4	3/4	1-31/32	15/32	2-63/64	3-1/2	3-47/64	1-1/4	15/16	2-25/64	1.3425	0.563	SS-UC205-13		0.84
205-14	7/8																SS-UC205-14		0.83
205-15	15/16																SS-UC205-15		0.81
205-16	1																SS-UC205-16		0.80
205-16	1																SS-UC205-16	0.80	
SS-UCST206	30	18.0	10.0	55.0	37.0	22.0	55.0	12.0	89.0	102.0	110.0	37.0	27.0	68.0	38.1	15.9	SS-UC206	ST206	1.20
206-17	1-1/16	23/32	25/64	2-5/32	1-29/64	55/64	2-5/32	15/32	3-1/2	4-1/64	4-21/64	1-29/64	1-1/16	2-43/64	1.5000	0.626	SS-UC206-17		1.21
206-18	1-1/8																SS-UC206-18		1.22
206-19	1-3/16																SS-UC206-19		1.20
206-20	1-1/4																SS-UC206-20		1.19
206-20	1-1/4																SS-UC206-20	1.19	
SS-UCST207	35	18.0	13.0	62.0	37.0	22.0	62.0	12.0	89.0	102.0	126.0	37.0	28.0	78.0	42.9	17.5	SS-UC207	ST207	1.51
207-20	1-1/4	23/32	33/64	2-7/16	1-29/64	55/64	2-7/16	15/32	3-1/2	4-1/64	4-61/64	1-29/64	1-3/32	3-5/64	1.6890	0.689	SS-UC207-20		1.58
207-21	1-5/16																SS-UC207-21		1.54
207-22	1-3/8																SS-UC207-22		1.51
207-23	1-7/16																SS-UC207-23		1.48
207-23	1-7/16																SS-UC207-23	1.48	
SS-UCST208	40	20.0	15.0	80.0	49.0	29.0	80.0	16.0	102.0	114.0	142.0	49.0	31.0	88.0	49.2	19.0	SS-UC208	ST208	2.31
208-24	1-1/2	25/32	19/32	3-9/64	1-15/16	1-9/64	3-9/64	5/8	4-1/64	4-31/64	5-19/32	1-15/16	1-7/32	3-15/32	1.9370	0.748	SS-UC208-24		2.35
208-25	1-9/16																SS-UC208-25		2.32
208-25	1-9/16																SS-UC208-25	2.32	
SS-UCST209	45	20.0	15.0	80.0	49.0	29.0	80.0	16.0	102.0	117.0	142.0	49.0	33.0	87.0	49.2	19.0	SS-UC209	ST209	2.36
209-26	1-5/8	25/32	19/32	3-9/64	1-15/16	1-9/64	3-9/64	5/8	4-1/64	4-39/64	5-19/32	1-15/16	1-19/32	3-27/64	1.9370	0.748	SS-UC209-26		2.46
209-27	1-11/16																SS-UC209-27		2.42
209-28	1-3/4																SS-UC209-28		2.38
209-28	1-3/4																SS-UC209-28	2.38	
SS-UCST210	50	20.0	15.0	80.0	49.0	29.0	83.0	16.0	102.0	117.0	147.0	49.0	35.0	90.0	51.6	19.0	SS-UC210	ST210	2.45
210-29	1-13/16	25/32	19/32	3-9/64	1-15/16	1-9/64	3-9/32	5/8	4-1/64	4-39/64	5-25/32	1-15/16	1-3/8	3-35/64	2.0315	0.748	SS-UC210-29		2.57
210-30	1-7/8																SS-UC210-30		2.52
210-31	1-15/16																SS-UC210-31		2.47
210-32	2																SS-UC210-32		2.43
210-32	2																SS-UC210-32	2.43	
SS-UCST211	55	26.0	18.0	100.0	64.0	35.0	92.0	22.0	130.0	146.0	169.0	64.0	36.0	106.0	55.6	22.2	SS-UC211	ST211	3.80
211-32	2	25/32	23/32	3-15/16	2-33/64	1-3/8	3-5/8	55/64	5-1/8	5-3/4	6-21/32	2-33/64	1-27/64	4-11/64	2.1890	0.874	SS-UC211-32		3.95
211-33	2-1/16																SS-UC211-33		3.89
211-34	2-1/8																SS-UC211-34		3.85
211-35	2-3/16																SS-UC211-35		3.78
211-35	2-3/16																SS-UC211-35	3.78	
SS-UCST212	60	31.0	18.0	100.0	64.0	35.0	100.0	22.0	130.0	146.0	192.0	64.0	40.0	119.0	65.1	25.4	SS-UC212	ST212	4.71
212-36	2-1/4	1-15/64	23/32	3-15/16	2-33/64	1-3/8	3-15/16	55/64	5-1/8	5-3/4	7-9/16	2-33/64	1-37/64	4-11/16	2.5630	1.000	SS-UC212-36		4.84
212-37	2-5/16																SS-UC212-37		4.76
212-38	2-3/8																SS-UC212-38		4.68
212-39	2-7/16																SS-UC212-39		4.61
212-39	2-7/16																SS-UC212-39	4.61	
SS-UCST213	65	33.0	20.0	110.0	70.0	41.0	120.0	26.0	151.0	167.0	221.0	70.0	42.0	137.0	65.1	25.4	SS-UC213	ST213	6.60
213-40	2-1/2	1-19/64	51/64	4-21/64	2-3/4	1-39/64	4-23/32	1-1/32	5-15/16	6-37/64	8-11/16	2-3/4	1-21/32	5-25/64	2.5630	1.000	SS-UC213-40		6.69
213-41	2-9/16																SS-UC213-41		6.60
213-41	2-9/16																SS-UC213-41	6.60	
SS-UCST214	70	33.0	20.0	110.0	70.0	41.0	120.0	26.0	151.0	167.0	222.0	70.0	44.0	137.0	74.6	30.2	SS-UC214	ST214	6.74
214-42	2-5/8	1-19/64	51/64	4-21/64	2-3/4	1-39/64	4-23/32	1-1/32	5-15/16	6-37/64	8-23/32	2-3/4	1-47/64	5-25/64	2.937	1.189	SS-UC214-42		6.95
214-43	2-11/16																SS-UC214-43		6.85
214-44	2-3/4																SS-UC214-44		6.75
214-44	2-3/4																SS-UC214-44	6.75	



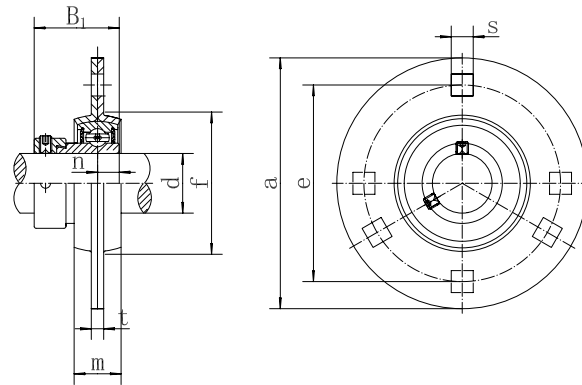
Unit NO.	Dimensions (mm / in.)											Bolt Size mm in.	Bearing No.	Housing No.	Weight (kg)										
	d	h	a	e	s	g	l	w	b	B	n														
SS-UCSPA201	12	30.2	76.0	52.0	M10	10.0	15.0	61.5	36.0	31.0	12.7	M10	SS-UC201	SPA201	0.64										
201-8	1/2	1-3/16	3	2-3/64		25/64	19/32	2-27/64	1-27/64	1.2205	0.500		SS-UC201-8		0.63										
SS-UCSPA202	15													SS-UC202	SPA202	0.63									
202-9	9/16	SS-UC202-9	0.63																						
202-10	5/8			SS-UC202-10		0.63																			
SS-UCSPA203	17	SS-UC203	SPA203				0.62																		
203-11	11/16			SS-UC203-11		0.61																			
SS-UCSPA204	20	SS-UC204	SPA204				0.60																		
204-12	3/4			SS-UC204-12	0.60																				
SS-UCSPA205	25	36.5	84.0			56.0	M10	10.0	15.0	70.0	36.0	34.1	14.3	M10	SS-UC205	SPA205	0.75								
205-13	13/16	1-7/16	3-5/16	2-13/64	25/64	19/32		2-49/64	1-27/64	1.3425	0.563	SS-UC205-13	0.79												
205-14	7/8												SS-UC205-14		0.78										
205-15	15/16																SS-UC205-15	0.76							
205-16	1												SS-UC205-16		0.75										
SS-UCSPA206	30						42.9							94.0		66.0	M14	10.0	18.0	82.0	45.0	38.1	15.9	M14	SS-UC206
206-17	1-1/16	1-11/16	3-45/64	2-19/32	25/64	45/64	3-15/64	1-25/32	1.5000	0.626	SS-UC206-17	1.14													
206-18	1-1/8											SS-UC206-18	1.15												
206-19	1-3/16													SS-UC206-19	1.13										
206-20	1-1/4											SS-UC206-20	1.12												
SS-UCSPA207	35													47.6	110.0	80.0		M14	11.0	20.0	93.5	48.0	42.9		17.5
207-20	1-1/4											1-7/8	4-21/64	3-5/32	7/16	25/32	3-11/16		1-57/64	1.6890	0.689	SS-UC207-20	1.62		
207-21	1-5/16	SS-UC207-21	1.58																						
207-22	1-3/8			SS-UC207-22	1.55																				
207-23	1-7/16	SS-UC207-23	1.61																						
SS-UCSPA208	40			49.2	116.0	84.0	M14	11.0	20.0	97.0	50.0							49.2					19.0	M14	SS-UC208
208-24	1-1/2	1-15/16	4-9/16	3-5/16	7/16	25/32		3-53/64	1-31/32	1.9370	0.748	SS-UC208-24	1.84												
208-25	1-9/16												SS-UC208-25	1.81											
SS-UCSPA209	45						54.2								120.0	90.0	M14	11.0	25.0	106.0	52.0	49.2	19.0	M14	SS-UC209
209-26	1-5/8	2-9/64	4-23/32	3-35/64	7/16	63/64	4-11/64	2-3/64	1.9370	0.748	SS-UC209-26	2.16													
209-27	1-11/16											SS-UC209-27	2.12												
209-28	1-3/4													SS-UC209-28	2.08										
SS-UCSPA210	50											57.2	130.0			94.0		M16	12.0	25.0	114.0	56.0	51.6		19.0
210-29	1-13/16											2-1/4	5-1/8	3-45/64	15/32	63/64	4-31/64		2-13/64	2.0315	0.748	SS-UC210-29	2.77		
210-30	1-7/8	SS-UC210-30	2.72																						
210-31	1-15/16			SS-UC210-31	2.67																				
210-32	2	SS-UC210-32	2.93																						
SS-UCSPA211	55			63.5	140.0	104.0	M16	12.0	25.0	124.5	58.0							55.6					22.2	M16	SS-UC211
211-32	2	2-1/2	5-33/64	4-3/32	15/32	63/64		4-29/32	2-9/32	2.1890	0.874	SS-UC211-32	3.35												
211-33	2-1/16												SS-UC211-33	3.29											
211-34	2-1/8														SS-UC211-34	3.25									
211-35	2-3/16												SS-UC211-35	3.68											
SS-UCSPA212	60						69.9								150.0	114.0	M16	13.0	25.0	136.0	60.0	65.1	25.4	M16	SS-UC212
212-36	2-1/4	2-3/4	5-29/32	4-31/64	33/64	63/64	5-23/64	2-23/64	2.5630	1.000	SS-UC212-36	4.24													
212-37	2-5/16											SS-UC212-37	4.16												
212-38	2-3/8													SS-UC212-38	4.08										
212-39	2-7/16											SS-UC212-39	4.01												
SS-UCSPA213	65													76.2	160.0	124.0	M16	13.0	25.0	147.0	64.0	65.1	25.4	M16	SS-UC213
213-40	2-1/2	3	6-19/64	4-7/8	33/64	63/64	5-25/32	2-17/32	2.5630	1.000	SS-UC213-40	5.00													
213-41	2-9/16											SS-UC213-41	4.91												



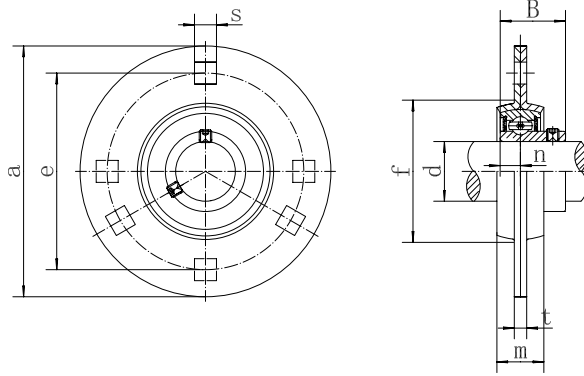
Unit NO.	Dimensions (mm / in.)										Bolt Size mm/in.	Bearing No.	Housing No.	Weight (Kg)
	d	h	a	e	b	s	g	w	B1	n				
SS-SASPP201	12	22.2	86.0	68.0	25.0	9.5	3.2	43.8	28.6	6.5	M8	SS-SA201	SPP201	0.20
201-8	1/2	7/8	3-3/8	2-43/64	63/64	3/8	0.126	1-23/32	1.1260	0.2559	15/16	SS-SA201-8		0.19
SS-SASPP202	15	22.2	86.0	68.0	25.0	9.5	3.2	43.8	28.6	6.5	M8	SS-SA202	SPP202	0.18
202-9	9/16	7/8	3-3/8	2-43/64	63/64	3/8	0.126	1-23/32	1.1260	0.2559	15/16	SS-SA202-9		0.19
202-10	5/8											SS-SA202-10		0.18
SS-SASPP203	17	22.2	86.0	68.0	25.0	9.5	3.2	43.8	28.6	6.5	M8	SS-SA203	SPP203	0.17
203-11	11/16	7/8	3-3/8	2-43/64	63/64	3/8	0.126	1-23/32	1.1260	0.2559	15/16	SS-SA203-11		0.17
SS-SASPP204	20	25.4	98.0	76.0	32.0	9.5	3.2	50.5	31.0	7.5	M8	SS-SA204	SPP204	0.26
204-12	3/4	1	3-27/32	2-63/64	1-1/4	3/8	0.126	1-63/64	1.2204	0.2953	5/16	SS-SA204-12		0.26
SS-SASPP205	25	28.6	108.0	86.0	32.0	11.5	4.0	56.6	31.0	7.5	M10	SS-SA205	SPP205	0.32
205-13	13/16	1-1/8	4-1/4	3-25/64	1-1/4	29/64	0.157	2-15/64	1.2204	0.2953	3/8	SS-SA205-13		0.36
205-14	7/8											SS-SA205-14		0.35
205-15	15/16											SS-SA205-15		0.33
205-16	1											SS-SA205-16		0.32
SS-SASPP206	30											33.3	117.0	95.0
206-17	1-1/16	1-5/16	4-39/64	3-47/64	1-1/2	29/64	0.157	2-39/64	1.4055	0.3543	3/8	SS-SA206-17	0.51	
206-18	1-1/8											SS-SA206-18	0.49	
206-19	1-3/16											SS-SA206-19	0.47	
206-20	1-1/4											SS-SA206-20	0.45	
SS-SASPP207	35											39.7	129.0	106.0
207-20	1-1/4	1-9/16	5-5/64	4-5/32	1-21/32	29/64	0.181	3-1/8	1.5315	0.3740	3/8	SS-SA207-20	0.80	
207-21	1-5/16											SS-SA207-21	0.77	
207-22	1-3/8											SS-SA207-22	0.75	
207-23	1-7/16											SS-SA207-23	0.72	
SS-SASPP208	40											43.7	148.0	120.0
208-24	1-1/2	1-23/32	5-53/64	4-47/64	1-11/16	33/64	0.197	3-25/64	1.7205	0.433	7/16	SS-SA208-24	0.98	
208-25	1-9/16											SS-SA208-25	0.95	
SS-SASPP209	45	46.8	156.0	128.0	45.0	13.0	6.0	92.3	43.7	11.0	M12	SS-SA209	SPP209	1.11
209-26	1-5/8	1-27/32	6-9/64	5-3/64	1-25/32	33/64	0.236	3-41/64	1.7205	0.433	7/16	SS-SA209-26		1.20
209-27	1-11/16											SS-SA209-27		1.16
209-28	1-3/4											SS-SA209-28		1.13



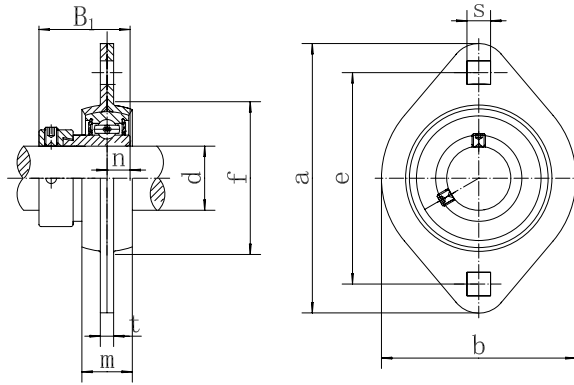
Unit NO.	Dimensions (mm / in.)										Bolt Size mm/in.	Bearing No.	Housing No.	Weight (Kg)
	d	h	a	e	b	s	g	w	B	n				
SS-SBSPP201	12	22.2	86.0	68.0	25.0	9.5	3.2	43.8	22.0	6.0	M8	SS-SB201	SPP201	0.17
201-8	1/2	7/8	3-3/8	2-43/64	63/64	3/8	0.126	1-23/32	0.8661	0.2362	15/16	SS-SB201-8		0.16
SS-SBSPP202	15	22.2	86.0	68.0	25.0	9.5	3.2	43.8	22.0	6.0	M8	SS-SB202	SPP202	0.16
202-9	9/16	7/8	3-3/8	2-43/64	63/64	3/8	0.126	1-23/32	0.8661	0.2362	15/16	SS-SB202-9		0.16
202-10	5/8											SS-SB202-10		0.15
SS-SBSPP203	17	22.2	86.0	68.0	25.0	9.5	3.2	43.8	22.0	6.0	M8	SS-SB203	SPP203	0.15
203-11	11/16	7/8	3-3/8	2-43/64	63/64	3/8	0.126	1-23/32	0.8661	0.2362	15/16	SS-SB203-11		0.14
SS-SBSPP204	20	25.4	98.0	76.0	32.0	9.5	3.2	50.5	25.0	7.0	M8	SS-SB204	SPP204	0.22
204-12	3/4	1	3-27/32	2-63/64	1-1/4	3/8	0.126	1-63/64	0.9843	0.2756	5/16	SS-SB204-12		0.23
SS-SBSPP205	25	28.6	108.0	86.0	32.0	11.5	4.0	56.6	27.0	7.5	M10	SS-SB205	SPP205	0.29
205-13	13/16	1-1/8	4-1/4	3-25/64	1-1/4	29/64	0.157	2-15/64	1.0630	0.2953	3/8	SS-SB205-13		0.32
205-14	7/8											SS-SB205-14		0.31
205-15	15/16											SS-SB205-15		0.30
205-16	1											SS-SB205-16		0.29
SS-SBSPP206	30											33.3	117.0	95.0
206-17	1-1/16	1-5/16	4-39/64	3-47/64	1-1/2	29/64	0.157	2-39/64	1.1811	0.3150	3/8	SS-SB206-17	0.47	
206-18	1-1/8											SS-SB206-18	0.45	
206-19	1-3/16											SS-SB206-19	0.43	
206-20	1-1/4											SS-SB206-20	0.42	
SS-SBSPP207	35											39.7	129.0	106.0
207-20	1-1/4	1-9/16	5-5/64	4-5/32	1-21/32	29/64	0.181	3-1/8	1.2598	0.3346	3/8	SS-SB207-20	0.69	
207-21	1-5/16											SS-SB207-21	0.67	
207-22	1-3/8											SS-SB207-22	0.65	
207-23	1-7/16											SS-SB207-23	0.63	
SS-SBSPP208	40											43.7	148.0	120.0
208-24	1-1/2	1-23/32	5-53/64	4-47/64	1-11/16	33/64	0.197	3-25/64	1.3386	0.354	7/16	SS-SB208-24	0.83	
208-25	1-9/16											SS-SB208-25	0.80	
SS-SBSPP209	45	46.8	156.0	128.0	45.0	13.0	6.0	92.3	41.2	10.2	M12	SS-SB209	SPP209	1.02
209-26	1-5/8	1-27/32	6-9/64	5-3/64	1-25/32	33/64	0.236	3-41/64	1.6220	0.402	7/16	SS-SB209-26		1.10
209-27	1-11/16											SS-SB209-27		1.06
209-28	1-3/4											SS-SB209-28		1.03



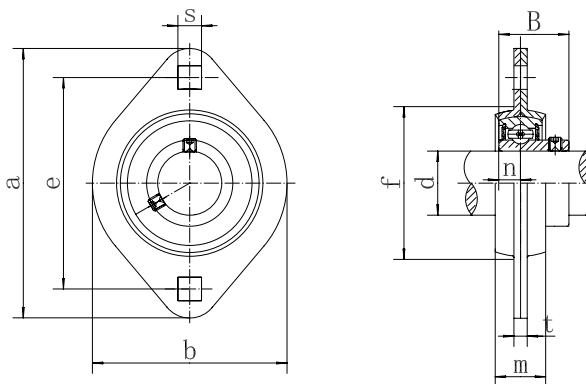
Unit NO.	Dimensions (mm / in.)									Bolt Size mm/in.	Bearing No.	Housing No.	Weight(Kg)
	d	a	e	m	s	t	f	B1	n				
SS-SASPF201	12	81.0	63.5	14.0	7.1	4.0	49.0	28.6	6.5	M6	SS-SA201	SPF201	0.27
201-8	1/2	3-3/16	2-1/2	9/16	9/32	0.157	1-59/64	1.1260	0.2559	1/4	SS-SA201-8		0.26
SS-SASPF202	15	81.0	63.5	14.0	7.1	4.0	49.0	28.6	6.5	M6	SS-SA202	SPF202	0.25
202-9	9/16	3-3/16	2-1/2	9/16	9/32	0.157	1-59/64	1.1260	0.2559	1/4	SS-SA202-9		0.26
202-10	5/8										SS-SA202-10		0.25
SS-SASPF203	17	81.0	63.5	14.0	7.1	4.0	49.0	28.6	6.5	M6	SS-SA203	SPF203	0.24
203-11	11/16	3-3/16	2-1/2	9/16	9/32	0.157	1-59/64	1.1260	0.2559	1/4	SS-SA203-11		0.24
SS-SASPF204	20	90.0	71.5	16.0	9.0	4.0	56.0	31.0	7.5	M8	SS-SA204	SPF204	0.34
204-12	3/4	3-35/64	2-13/16	5/8	23/64	0.157	2-13/64	1.2204	0.2953	5/16	SS-SA204-12		0.35
SS-SASPF205	25	95.0	76.0	18.0	9.0	4.0	60.0	31.0	7.5	M8	SS-SA205	SPF205	0.38
205-13	13/16	3-3/4	2-63/64	23/32	23/64	0.157	2-23/64	1.2204	0.2953	5/16	SS-SA205-13		0.42
205-14	7/8										SS-SA205-14		0.40
205-15	15/16										SS-SA205-15		0.39
205-16	1										SS-SA205-16		0.37
SS-SASPF206	30										113.0	90.5	18.0
206-17	1-1/16	4-7/16	3-9/16	23/32	7/16	0.205	2-51/64	1.4055	0.3543	3/8	SS-SA206-17	0.65	
206-18	1-1/8										SS-SA206-18	0.63	
206-19	1-3/16										SS-SA206-19	0.61	
206-20	1-1/4										SS-SA206-20	0.59	
SS-SASPF207	35										122.0	100.0	20.0
207-20	1-1/4	4-13/16	3-15/16	25/32	7/16	0.205	3-3/16	1.5315	0.3740	3/8	SS-SA207-20	0.88	
207-21	1-5/16										SS-SA207-21	0.86	
207-22	1-3/8										SS-SA207-22	0.83	
207-23	1-7/16										SS-SA207-23	0.81	
SS-SASPF208	40										148.0	119.0	21.0
208-24	1-1/2	5-13/16	4-11/16	13/16	17/32	0.268	3-37/64	1.7205	0.433	1/2	SS-SA208-24	1.37	
208-25	1-9/16										SS-SA208-25	1.34	
SS-SASPF209	45	150.0	120.5	23.0	13.5	6.8	98.0	43.7	11.0	M12	SS-SA209	1.35	
209-26	1-5/8	5-29/32	4-3/4	29/32	17/32	0.268	3-55/64	1.7205	0.433	1/2	SS-SA209-26	1.44	
209-27	1-11/16										SS-SA209-27	1.40	
209-28	1-3/4										SS-SA209-28	1.37	
SS-SASPF210	50	157.0	127.0	25.0	13.5	8.0	102.0	43.7	11.0	M12	SS-SA210	1.62	
210-29	1-13/16	6-3/16	5	63/64	17/32	0.315	4-1/64	1.7205	0.433	1/2	SS-SA210-29	1.74	
210-30	1-7/8										SS-SA210-30	1.70	
210-31	1-15/16										SS-SA210-31	1.66	
210-32	2										SS-SA210-32	1.62	
SS-SASPF211	55										168.0	138.0	26.0
211-32	2	6-5/8	5-7/16	1-1/64	17/32	0.315	4-29/64	1.9055	0.472	1/2	SS-SA211-32	2.13	
211-33	2-1/16										SS-SA211-33	2.08	
211-34	2-1/8										SS-SA211-34	2.03	
211-35	2-3/16										SS-SA211-35	1.98	
SS-SASPF212	60										177.0	148.0	28.0
212-36	2-1/4	6-31/32	5-53/64	1-7/64	17/32	0.315	4-13/16	2.0906	0.531	1/2	SS-SA212-36	2.53	
212-37	2-5/16										SS-SA212-37	2.47	
212-38	2-3/8										SS-SA212-38	2.40	
212-39	2-7/16										SS-SA212-39	2.34	



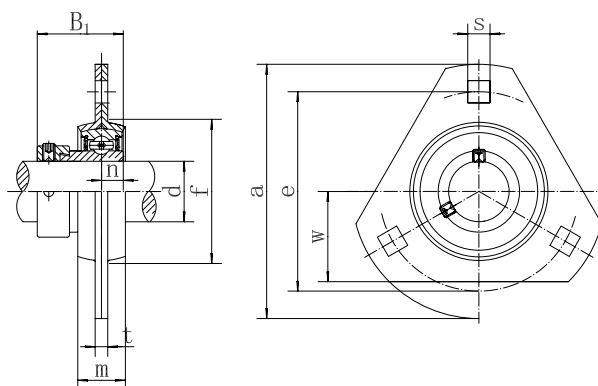
Unit NO.	Dimensions (mm / in.)									Bolt Size mm/in.	Bearing No.	Housing No.	Weight(Kg)
	d	a	e	m	s	t	f	B	n				
SS-SBSPF201	12	81.0	63.5	14.0	7.1	4.0	49.0	22	6	M6	SS-SB201	SPF201	0.24
201-8	1/2	3-3/16	2-1/2	9/16	9/32	0.157	1-59/64	0.8661	0.2362	1/4	SS-SB201-8		0.23
SS-SBSPF202	15	81.0	63.5	14.0	7.1	4.0	49.0	22	6	M6	SS-SB202	SPF202	0.23
202-9	9/16	3-3/16	2-1/2	9/16	9/32	0.157	1-59/64	0.8661	0.2362	1/4	SS-SB202-9		0.23
202-10	5/8										SS-SB202-10		0.22
SS-SBSPF203	17	81.0	63.5	14.0	7.1	4.0	49.0	22	6	M6	SS-SB203	SPF203	0.22
203-11	11/16	3-3/16	2-1/2	9/16	9/32	0.157	1-59/64	0.8661	0.2362	1/4	SS-SB203-11	SPF203	0.21
SS-SBSPF204	20	90.0	71.5	16.0	9.0	4.0	56.0	25	7	M8	SS-SB204	SPF204	0.31
204-12	3/4	3-35/64	2-13/16	5/8	23/64	0.157	2-13/64	0.9843	0.2756	5/16	SS-SB204-12		0.31
SS-SBSPF205	25	95.0	76.0	18.0	9.0	4.0	60.0	27	7.5	M8	SS-SB205	SPF205	0.35
205-13	13/16	3-3/4	2-63/64	23/32	23/64	0.157	2-23/64	1.0630	0.2953	5/16	SS-SB205-13		0.38
205-14	7/8										SS-SB205-14		0.37
205-15	15/16										SS-SB205-15		0.36
205-16	1										SS-SB205-16		0.34
SS-SBSPF206	30										113.0	90.5	18.0
206-17	1-1/16	4-7/16	3-9/16	23/32	7/16	0.205	2-51/64	1.1811	0.3150	3/8	SS-SB206-17	0.60	
206-18	1-1/8										SS-SB206-18	0.59	
206-19	1-3/16										SS-SB206-19	0.57	
206-20	1-1/4										SS-SB206-20	0.55	
SS-SBSPF207	35										122.0	100.0	20.0
207-20	1-1/4	4-13/16	3-15/16	25/32	7/16	0.205	3-3/16	1.2598	0.3346	3/8	SS-SB207-20	0.78	
207-21	1-5/16										SS-SB207-21	0.76	
207-22	1-3/8										SS-SB207-22	0.74	
207-23	1-7/16										SS-SB207-23	0.71	
SS-SBSPF208	40										148.0	119.0	21.0
208-24	1-1/2	5-13/16	4-11/16	13/16	17/32	0.268	3-37/64	1.3386	0.3543	1/2	SS-SB208-24	1.21	
208-25	1-9/16										SS-SB208-25	1.19	
SS-SBSPF209	45	150.0	120.5	23.0	13.5	6.8	98.0	41.2	10.2	M12	SS-SB209	SPF209	1.26
209-26	1-5/8	5-29/32	4-3/4	29/32	17/32	0.268	3-55/64	1.6220	0.402	1/2	SS-SB209-26		1.34
209-27	1-11/16										SS-SB209-27		1.30
209-28	1-3/4										SS-SB209-28		1.27
SS-SBSPF210	50										157.0	127.0	25.0
210-29	1-13/16	6-3/16	5	63/64	17/32	0.315	4-1/64	1.7126	0.429	1/2	SS-SB210-29	1.64	
210-30	1-7/8										SS-SB210-30	1.60	
210-31	1-15/16										SS-SB210-31	1.56	
210-32	2										SS-SB210-32	1.52	
SS-SBSPF211	55	168.0	138.0	26.0	13.5	8.0	113.0	45.3	11.8	M12	SS-SB211	SPF211	1.86
211-32	2	6-5/8	5-7/16	1-1/64	17/32	0.315	4-29/64	1.7835	0.465	1/2	SS-SB211-32		1.98
211-33	2-1/16										SS-SB211-33		1.94
211-34	2-1/8										SS-SB211-34		1.89
211-35	2-3/16										SS-SB211-35		1.84
SS-SBSPF212	60										177.0	148.0	28.0
212-36	2-1/4	6-31/32	5-53/64	1-7/64	17/32	0.315	4-13/16	2.1142	0.587	1/2	SS-SB212-36	2.38	
212-37	2-5/16										SS-SB212-37	2.32	
212-38	2-3/8										SS-SB212-38	2.26	
212-39	2-7/16										SS-SB212-39	2.20	



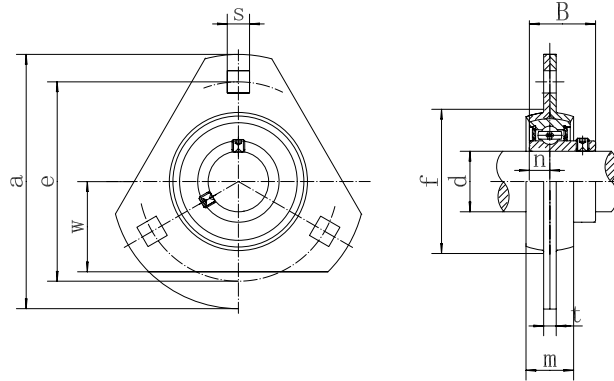
Unit NO.	Dimensions (mm / in.)										Bolt Size mm/in.	Bearing No.	Housing No.	Weight (kg)
	d	a	e	b	m	S	t	B1	n	f (min)				
SS-SASPFL201	12	81.0	63.5	59.0	14.0	7.1	4.0	28.6	6.5	49.0	M6	SS-SA201	SPFL201	0.21
201-8	1/2	3-3/16	2-1/2	2-21/64	9/16	9/32	0.157	1.1260	0.2559	1-59/64	1/4	SS-SA201-8		0.21
SS-SASPFL202	15	81.0	63.5	59.0	14.0	7.1	4.0	28.6	6.5	49.0	M6	SS-SA202	SPFL202	0.19
202-9	9/16	3-3/16	2-1/2	2-21/64	9/16	9/32	0.157	1.1260	0.2559	1-59/64	1/4	SS-SA202-9		0.20
202-10	5/8											SS-SA202-10	0.19	
SS-SASPFL203	17	81.0	63.5	59.0	14.0	7.1	4.0	28.6	6.5	49.0	M6	SS-SA203	SPFL203	0.18
203-11	11/16	3-3/16	2-1/2	2-21/64	9/16	9/32	0.157	1.1260	0.2559	1-59/64	1/4	SS-SA203-11		0.18
SS-SASPFL204	20	90	71.5	67	16	9	4	31	7.5	56	M8	SS-SA204	SPFL204	0.26
204-12	3/4	3-35/64	2-13/16	2-41/64	5/8	23/64	0.157	1.2204	0.2953	2-13/64	5/16	SS-SA204-12		0.26
SS-SASPFL205	25	95.0	76.0	71.0	18.0	9.0	4.0	31.0	7.5	60.0	M8	SS-SA205	SPFL205	0.29
205-13	13/16	3-3/4	2-63/64	2-51/64	23/32	23/64	0.157	1.2204	0.2953	2-23/64	5/16	SS-SA205-13		0.33
205-14	7/8											SS-SA205-14		0.32
205-15	15/16											SS-SA205-15		0.30
205-16	1											SS-SA205-16		0.29
SS-SASPFL206	30											113.0	90.5	84.0
206-17	1-1/16	4-7/16	3-9/16	3-5/16	23/32	7/16	0.205	1.4055	0.3543	2-51/64	3/8	SS-SA206-17	0.50	
206-18	1-1/8											SS-SA206-18	0.48	
206-19	1-3/16											SS-SA206-19	0.46	
206-20	1-1/4											SS-SA206-20	0.44	
SS-SASPFL207	35											122.0	100.0	94.0
207-20	1-1/4	4-13/16	3-15/16	3-45/64	25/32	7/16	0.205	1.5315	0.3740	3-3/16	3/8	SS-SA207-20	0.71	
207-21	1-5/16											SS-SA207-21	0.68	
207-22	1-3/8											SS-SA207-22	0.66	
207-23	1-7/16											SS-SA207-23	0.63	
SS-SASPFL208	40											148.0	119.0	100.0
208-24	1-1/2	5-13/16	4-11/16	3-15/16	13/16	17/32	0.268	1.7205	0.4331	3-37/64	1/2	SS-SA208-24	0.98	
208-25	1-9/16											SS-SA208-25	0.94	



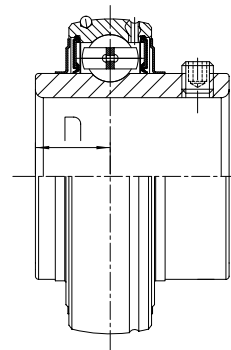
Unit NO.	Dimensions (mm / in.)										Bolt Size mm/in.	Bearing No.	Housing No.	Weight (kg)
	d	a	e	b	m	S	t	B	n	f (min)				
SS-SBSPFL201	12	81.0	63.5	59.0	14.0	7.1	4.0	22.0	6.0	49.0	M6	SS-SB201	SPFL201	0.18
201-8	1/2	3-3/16	2-1/2	2-21/64	9/16	9/32	0.157	0.8661	0.2362	1-59/64	1/4	SS-SB201-8		0.17
SS-SBSPFL202	15	81.0	63.5	59.0	14.0	7.1	4.0	22.0	6.0	49.0	M6	SS-SB202	SPFL202	0.17
202-9	9/16	3-3/16	2-1/2	2-21/64	9/16	9/32	0.157	0.8661	0.2362	1-59/64	1/4	SS-SB202-9		0.17
202-10	5/8										SS-SB202-10	0.16		
SS-SBSPFL203	17	81.0	63.5	59.0	14.0	7.1	4.0	22.0	6.0	49.0	M6	SS-SB203	SPFL203	0.16
203-11	11/16	3-3/16	2-1/2	2-21/64	9/16	9/32	0.157	0.8661	0.2362	1-59/64	1/4	SS-SB203-11		0.16
SS-SBSPFL204	20	90.0	71.5	67.0	16.0	9.0	4.0	25.0	7.0	56.0	M8	SS-SB204	SPFL204	0.22
204-12	3/4	3-35/64	2-13/16	2-41/64	5/8	23/64	0.157	0.9843	0.2756	2-13/64	5/16	SS-SB204-12		0.23
SS-SBSPFL205	25	95.0	76.0	71.0	18.0	9.0	4.0	27.0	7.5	60.0	M8	SS-SB205	SPFL205	0.26
205-13	13/16	3-3/4	2-63/64	2-51/64	23/32	23/64	0.157	1.0630	0.2953	2-23/64	5/16	SS-SB205-13		0.29
205-14	7/8											SS-SB205-14		0.28
205-15	15/16											SS-SB205-15		0.27
205-16	1											SS-SB205-16		0.26
SS-SBSPFL206	30											113.0	90.5	84.0
206-17	1-1/16	4-7/16	3-9/16	3-5/16	23/32	7/16	0.205	1.1811	0.3150	2-51/64	3/8	SS-SB206-17	0.45	
206-18	1-1/8											SS-SB206-18	0.43	
206-19	1-3/16											SS-SB206-19	0.42	
206-20	1-1/4											SS-SB206-20	0.40	
SS-SBSPFL207	35											122.0	100.0	94.0
207-20	1-1/4	4-13/16	3-15/16	3-45/64	25/32	7/16	0.205	1.2598	0.3346	3-3/16	3/8	SS-SB207-20	0.60	
207-21	1-5/16											SS-SB207-21	0.58	
207-22	1-3/8											SS-SB207-22	0.56	
207-23	1-7/16											SS-SB207-23	0.54	
SS-SBSPFL208	40											148.0	119.0	100.0
208-24	1-1/2	5-13/16	4-11/16	3-15/16	13/16	17/32	0.268	1.3386	0.3543	3-37/64	1/2	SS-SB208-24	0.82	
208-25	1-9/16											SS-SB208-25	0.79	



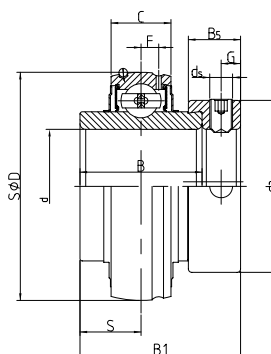
Unit NO.	Dimensions (mm / in.)										Bolt Size mm/in.	Bearing No.	Housing No.	Weight (kg)
	d	a	e	b	S	m	t	f (min)	B1	n				
SS-SASPFT201	12	81.0	63.5	28.5	7.1	14.0	4.0	49.0	28.6	6.5	M6	SS-SA201	SPFT201	0.22
201-8	1/2	3-3/16	2-1/2	1-1/8	9/32	9/16	0.157	1-59/64	1.1260	0.2559	1/4	SS-SA201-8		0.22
SS-SASPFT202	15	81.0	63.5	28.5	7.1	14.0	4.0	49.0	28.6	6.5	M6	SS-SA202	SPFT202	0.21
202-9	9/16	3-3/16	2-1/2	1-1/8	9/32	9/16	0.157	1-59/64	1.1260	0.2559	1/4	SS-SA202-9		0.21
202-10	5/8											SS-SA202-10		0.20
SS-SASPFT203	17	81.0	63.5	28.5	7.1	14.0	4.0	49.0	28.6	6.5	M6	SS-SA203	SPFT203	0.19
203-11	11/16	3-3/16	2-1/2	1-1/8	9/32	9/16	0.157	1-59/64	1.1260	0.2559	1/4	SS-SA203-11		0.19
SS-SASPFT204	20	90.0	71.5	33.0	9.0	16.0	4.0	56.0	31.0	7.5	M8	SS-SA204	SPFT204	0.28
204-12	3/4	3-35/64	2-13/16	1-19/64	23/64	5/8	0.157	2-13/64	1.2204	0.2953	5/16	SS-SA204-12		0.29
SS-SASPFT205	25	95.0	76.0	35.0	9.0	18.0	4.0	60.0	31.0	7.5	M8	SS-SA205	SPFT205	0.32
205-13	13/16	3-3/4	2-63/64	1-3/8	23/64	23/32	0.157	2-23/64	1.2204	0.2953	5/16	SS-SA205-13		0.36
205-14	7/8											SS-SA205-14		0.35
205-15	15/16											SS-SA205-15		0.33
205-16	1											SS-SA205-16		0.32
SS-SASPFT206	30											113.0	90.5	40.0
206-17	1-1/16	4-7/16	3-9/16	1-37/64	7/16	23/32	0.205	2-51/64	1.4055	0.3543	3/8	SS-SA206-17	0.54	
206-18	1-1/8								SS-SA206-18	0.52				
206-19	1-3/16								SS-SA206-19	0.50				
206-20	1-1/4								SS-SA206-20	0.48				
SS-SASPFT207	35								122.0	100.0		44.5	11.0	20.0
207-20	1-1/4	4-13/16	3-15/16	1-3/4	7/16	25/32	0.205	3-3/16	1.5315	0.3740	3/8	SS-SA207-20	0.75	
207-21	1-5/16								SS-SA207-21	0.72				
207-22	1-3/8								SS-SA207-22	0.70				
207-23	1-7/16								SS-SA207-23	0.67				
SS-SASPFT208	40								148.0	119.0		50.0	13.5	21.0
208-24	1-1/2	5-13/16	4-11/16	2-11/32	17/32	13/16	0.268	1.3386	3-37/64	0.3543	1/2	SS-SA208-24	1.13	
208-25	1-9/16								SS-SA208-25	1.10				



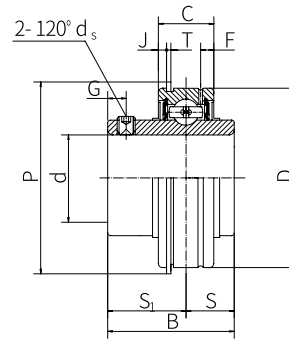
Unit NO.	Dimensions (mm / in.)										Bolt Size mm/in.	Bearing No.	Housing No.	Weight (kg)
	d	a	e	b	S	m	t	f (min)	B	n				
SS-SBSPFT201	12	81.0	63.5	28.5	7.1	14.0	4.0	49.0	22	6	M6	SS-SB201	SPFT201	0.19
201-8	1/2	3-3/16	2-1/2	1-1/8	9/32	9/16	0.157	1-59/64	0.8661	0.2362	1/4	SS-SB201-8		0.19
SS-SBSPFT202	15	81.0	63.5	28.5	7.1	14.0	4.0	49.0	22	6	M6	SS-SB202	SPFT202	0.18
202-9	9/16	3-3/16	2-1/2	1-1/8	9/32	9/16	0.157	1-59/64	0.8661	0.2362	1/4	SS-SB202-9		0.18
202-10	5/8											SS-SB202-10		0.17
SS-SBSPFT203	17	81.0	63.5	28.5	7.1	14.0	4.0	49.0	22	6	M6	SS-SB203	SPFT203	0.17
203-11	11/16	3-3/16	2-1/2	1-1/8	9/32	9/16	0.157	1-59/64	0.8661	0.2362	1/4	SS-SB203-11		0.17
SS-SBSPFT204	20	90.0	71.5	33.0	9.0	16.0	4.0	56.0	25	7	M8	SS-SB204	SPFT204	0.25
204-12	3/4	3-35/64	2-13/16	1-19/64	23/64	5/8	0.157	2-13/64	0.9843	0.2756	5/16	SS-SB204-12		0.25
SS-SBSPFT205	25	95.0	76.0	35.0	9.0	18.0	4.0	60.0	27	7.5	M8	SS-SB205	SPFT205	0.29
205-13	13/16	3-3/4	2-63/64	1-3/8	23/64	23/32	0.157	2-23/64	1.0630	0.2953	5/16	SS-SB205-13		0.32
205-14	7/8											SS-SB205-14		0.31
205-15	15/16											SS-SB205-15		0.30
205-16	1											SS-SB205-16		0.29
SS-SBSPFT206	30											113.0	90.5	40.0
206-17	1-1/16	4-7/16	3-9/16	1-37/64	7/16	23/32	0.205	2-51/64	1.1811	0.3150	3/8	SS-SB206-17	0.49	
206-18	1-1/8											SS-SB206-18	0.47	
206-19	1-3/16											SS-SB206-19	0.46	
206-20	1-1/4											SS-SB206-20	0.44	
SS-SBSPFT207	35											122.0	100.0	44.5
207-20	1-1/4	4-13/16	3-15/16	1-3/4	7/16	25/32	0.205	3-3/16	1.2598	0.3346	3/8	SS-SB207-20	0.64	
207-21	1-5/16											SS-SB207-21	0.62	
207-22	1-3/8											SS-SB207-22	0.60	
207-23	1-7/16											SS-SB207-23	0.58	
SS-SBSPFT208	40											148.0	119.0	50.0
208-24	1-1/2	5-13/16	4-11/16	2-11/32	17/32	13/16	0.268	1.3386	3-37/64	0.3543	1/2	SS-SB208-24	0.97	
208-25	1-9/16											SS-SB208-25	0.95	



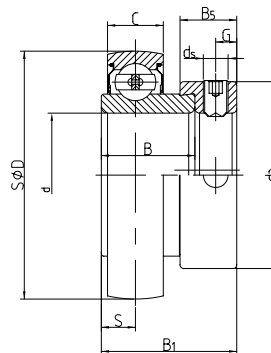
Bearing NO.	Dimensions (mm / in.)									Dynamic load ratings(N)	Static load ratings(N)	Weight (kg)
	d	D	B	C	S	S1	G	ds	F			
SS-UCS201	12	40	27.4	14.0	11.5	15.9	4.0	M5x0.8	3.4	9600	4600	0.12
201-8	1/2	1.5748	1.0787	0.5512	0.4528	0.6260	0.1575	10-32UNF	0.1339			0.12
SS-UCS202	15											0.11
202-9	9/16											0.11
202-10	5/8											0.11
SS-UCS203	17									0.10		
203-11	11/16	0.10										
SS-UC201	12	47	31.0	17.0	12.7	18.3	4.6	M6x1	4.3	12800	6600	0.20
201-8	1/2	1.8504	1.2205	0.6693	0.5000	0.7205	0.1811	1/4-28UNF	0.1693			0.19
SS-UC202	15											0.19
202-9	9/16											0.19
202-10	5/8											0.19
SS-UC203	17									0.18		
203-11	11/16	0.17										
SS-UC204	20	47	31.0	17.0	12.7	18.3	4.6	M6x1	4.3	12800	6600	0.16
204-12	3/4	1.8504	1.2205	0.6693	0.5000	0.7205	0.1811	1/4-28UNF	0.1693			0.16
SS-UC205	25	52	34.1	17.0	14.3	19.8	5.0	M6x1	4.3	14000	7850	0.19
205-13	13/16	2.0472	1.3425	0.6693	0.5630	0.7795	0.1969	1/4-28UNF	0.1693			0.23
205-14	7/8											0.22
205-15	15/16											0.20
205-16	1											0.20
SS-UC206	30									62	38.1	19.0
206-17	1-1/16	2.4409	1.5000	0.7480	0.6260	0.8740	0.1969	1/4-28UNF	0.2047	19450	11250	0.30
206-18	1-1/8											0.31
206-19	1-3/16											0.32
206-20	1-1/4											0.30
SS-UC207	35											72
207-20	1-1/4	2.8346	1.6890	0.7874	0.6890	1.0000	0.2756	5/16-24UNF	0.2244	25700	15200	0.45
207-21	1-5/16											0.52
207-22	1/3/8											0.48
207-23	1-7/16											0.45
SS-UC208	40											80
208-24	1-1/2	3.1496	1.9370	0.8268	0.7480	1.1890	0.3031	5/16-24UNF	0.2441	29500	18100	0.61
208-25	1-9/16											0.65
SS-UC209	45	85	49.2	22.0	19.0	30.2	8.0	M8x1	6.6	32700	20900	0.62
209-26	1-5/8	3.3465	1.9370	0.8661	0.7480	1.1890	0.3150	5/16-24UNF	0.2598			0.66
209-27	1-11/16											0.76
209-28	1-3/4											0.72
SS-UC210	50									90	51.6	24.0
210-29	1-13/16	3.5433	2.0315	0.9449	0.7480	1.2835	0.3937	3/8-24UNF	0.2559	35000	23200	0.76
210-30	1-7/8											0.88
210-31	1-15/16											0.83
210-32	2											0.78
SS-UC211	55	100	55.6	25.0	22.2	33.4	10.0	M10x1	7.1	43300	29200	0.74
211-32	2	3.9370	2.1890	0.9843	0.8740	1.3150	0.3937	3/8-24UNF	0.2795			1.00
211-33	2-1/16											1.15
211-34	2-1/8											1.09
211-35	2-3/16											1.08
SS-UC212	60									110	65.1	27.0
212-36	2-1/4	4.3307	2.5630	1.0630	1.0000	1.5630	0.3937	3/8-24UNF	0.3110	47700	32800	1.33
212-37	2-5/16											1.54
212-38	2-3/8											1.45
212-39	2-7/16											1.38
SS-UC213	65	120	65.1	28.0	25.4	39.7	10.0	M10x1	8.0	57200	40000	1.31
213-40	2-1/2	4.7244	2.5630	1.1024	1.0000	1.5630	0.3937	3/8-24UNF	0.3150			1.72
213-41	2-9/16											1.81
SS-UC214	70	125	74.6	29.0	30.2	44.4	12.0	M12x1.5	8.3	62100	44800	1.72
214-42	2-5/8	4.9213	2.9370	1.1417	1.1890	1.7480	0.4724	7/16-20UNF	0.3268			1.96
214-43	2-11/16											2.17
214-44	2-3/4											2.07
										1.97		



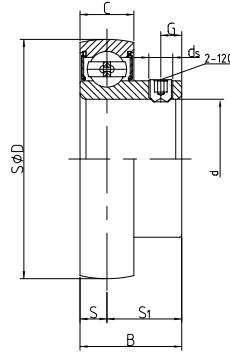
Bearing NO.	Dimensions (mm / in.)											Dynamic load ratings (N)	Static load ratings (N)	Weight (kg)		
	d	D	B1	B	C	S	ds	G	B5	d3	F					
SS-HC201	12	47	43.7	34.2	17	17.1	M6x1	4.8	13.5	33.3	4.3	12800	6600	0.29		
201-8	1/2	1.8504	1.7205	1.3465	0.6693	0.6732	1/4-28UNF	0.1890	0.5315	1.3110	0.1693			12800	6600	0.29
SS-HC202	15											0.27				
202-9	9/16											0.26				
202-10	5/8											0.26				
SS-HC203	17											0.25				
203-11	11/16	0.25														
SS-HC204	20	47	43.7	34.2	17	17.1	M6x1	4.8	13.5	33.3	4.3	12800	6600	0.21		
204-12	3/4	1.8504	1.7205	1.3465	0.6693	0.6732	1/4-28UNF	0.1890	0.5315	1.3110	0.1693			0.21		
SS-HC205	25	52	44.4	34.9	17	17.5	M6x1	4.8	13.5	38.1	4.3	14000	7850	0.25		
205-13	13/16	2.0472	1.7480	1.3740	0.6693	0.6890	1/4-28UNF	0.1890	0.5315	1.5000	0.1693			14000	7850	0.30
205-14	7/8															0.29
205-15	15/16													0.27		
205-16	1													0.25		
SS-HC206	30											62	48.4	36.5	19	18.3
206-17	1-1/16	2.4409	1.9055	1.4370	0.7480	0.7205	5/16-24UNF	0.2362	0.6260	1.7520	0.2047	19450	11250	0.42		
206-18	1-1/8													0.39		
206-19	1-3/16											0.37				
206-20	1-1/4											0.34				
SS-HC207	35											72	51.1	37.6	20	18.8
207-20	1-1/4	2.8346	2.0118	1.4803	0.7874	0.7402	5/16-24UNF	0.2677	0.6890	2.1890	0.2244	25700	15200	0.66		
207-21	1-5/16													0.62		
207-22	1-3/8											0.59				
207-23	1-7/16											0.57				
SS-HC208	40											80	56.3	42.8	21	21.4
208-24	1-1/2	3.1496	2.2165	1.6850	0.8268	0.8425	5/16-24UNF	0.2677	0.7205	2.3740	0.2441	29500	18100	0.79		
208-25	1-9/16													0.75		
SS-HC209	45											85	56.3	42.8	22	21.4
209-26	1-5/8	3.3465	2.2165	1.6850	0.8661	0.8425	5/16-24UNF	0.2677	0.7205	2.5000	0.2598	32700	20900	0.90		
209-27	1-11/16													0.85		
209-28	1-3/4											0.81				
SS-HC210	50	90	62.7	49.2	24	24.6	M8x1	6.8	18.3	69.9	6.5	35000	23200	0.95		
210-29	1-13/16	3.5433	2.4685	1.9370	0.9449	0.9685	5/16-24UNF	0.2677	0.7205	2.7520	0.2559			35000	23200	1.10
210-30	1-7/8															1.04
210-31	1-15/16													0.98		
210-32	2													0.92		
SS-HC211	55											100	71.4	55.5	25	27.8
211-32	2	3.9370	2.8110	2.1850	0.9843	1.0945	3/8-24UNF	0.3150	0.8150	3.0000	0.2795	43300	29200	1.47		
211-33	2-1/16													1.39		
211-34	2-1/8											1.32				
211-35	2-3/16											1.24				
SS-HC212	60											110	77.8	61.9	27	31.0
212-36	2-1/4	4.3307	3.0630	2.4370	1.0630	1.2205	3/8-24UNF	0.3150	0.8780	3.3150	0.3110	47700	32800	1.75		
212-37	2-5/16													1.80		
212-38	2-3/8											1.73				
212-39	2-7/16											1.73				
SS-HC213	65											120	85.7	68.6	28	34.1
213-40	2-1/2	4.7244	3.3740	2.7008	1.1024	1.3425	3/8-24UNF	0.3346	0.9252	3.6220	0.3150	57200	40000	1.82		
213-41	2-9/16													2.25		
SS-HC214	70	125	85.7	68.6	29	34.1	M10x1	8.5	23.5	97.0	8.3	62100	44800	2.37		
214-42	2-5/8	4.9213	3.3740	2.7008	1.1417	1.3425	3/8-24UNF	0.3346	0.9252	3.8189	0.3268			62100	44800	2.31
214-43	2-11/16															2.51
214-44	2-3/4													2.38		



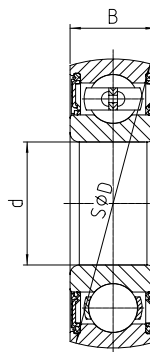
Bearing NO.	Dimensions (mm / in.)												Dynamic load ratings (N)	Static load ratings (N)	Weight (kg)
	d	D	B	C	S	S1	T	F	J	P	G	ds			
SS-SER201	12	47	31	15.9	10.3	20.7	1.12	3.8	2.46	52.7	4.8	M6x1	12800	6600	0.23
201-8	1/2	1.8504	1.2205	0.6260	0.4055	0.8150	0.0441	0.1496	0.0969	2.0748	0.1890	1/4-28UNF			0.22
SS-SER202	15														0.22
202-10	5/8														0.22
202-10	5/8														0.22
SS-SER203	17												0.21		
SS-SER203-11	1														0.20
SS-SER204	20	47	31	15.9	10.3	20.7	1.12	3.8	2.46	52.7	4.8	M6x1	12800	6600	0.17
204-12	3/4	1.8504	1.2205	0.6260	0.4055	0.8150	0.0441	0.1496	0.0969	2.0748	0.1890	1/4-28UNF			0.17
SS-SER205	25	52	34.9	19	13.1	21.8	1.12	5.0	2.46	57.9	5	M6x1	14000	7850	0.21
205-13	13/16	2.0472	1.3740	0.7480	0.5157	0.8583	0.0441	0.1969	0.0969	2.2795	0.1890	1/4-28UNF			0.25
205-14	7/8														0.24
205-15	15/16														0.22
205-16	1														0.21
SS-SER206	30												62	38.1	22.2
206-17	1-1/16	2.4409	1.5000	0.8740	0.6260	0.8740	0.0669	0.2205	0.1291	2.6654	0.1969	1/4-28UNF	0.34		
206-18	1-1/8												0.35		
206-19	1-3/16												0.33		
206-20	1-1/4												0.32		
SS-SER207	35												72	42.9	23.8
207-20	1-1/4	2.8346	1.6890	0.9370	0.6890	1.0000	0.0669	0.2205	0.1291	3.0945	0.2756	5/16-24UNF	0.57		
207-21	1-5/16												0.54		
207-22	1-3/8												0.51		
207-23	1-7/16												0.48		
SS-SER208	40												80	49.2	27.8
208-24	1-1/2	3.1496	1.9370	1.0945	0.7480	1.1890	0.0669	0.2520	0.1291	3.4094	0.3031	5/16-24UNF	0.74		
208-25	1-9/16												0.71		
SS-SER209	45												85	49.2	27.8
209-26	1-5/8	3.3465	1.9370	1.0945	0.7480	1.1890	0.0669	0.2520	0.1291	3.6063	0.3150	5/16-24UNF	0.83		
209-27	1-11/16												0.79		
209-28	1-3/4												0.75		
SS-SER210	50												90	51.6	28.6
210-29	1-13/16	3.5433	2.0315	1.1260	0.7480	1.2835	0.0969	0.2953	0.1291	3.7992	0.3937	3/8-24UNF	0.95		
210-30	1-7/8												0.90		
210-31	1-15/16												0.85		
210-32	2												0.81		
SS-SER211	55												100	55.6	30.2
211-32	2	3.9370	2.1890	1.1890	0.8740	1.3150	0.0969	0.2953	0.1291	4.1929	0.3937	3/8-24UNF	1.26		
211-33	2-1/16												1.20		
211-34	2-1/8												1.16		
211-35	2-3/16												1.09		
SS-SER212	60												110	65.1	31.8
212-36	2-1/4	4.3307	2.5630	1.2520	1.0000	1.5630	0.0969	0.2953	0.1291	4.5906	0.3937	3/8-24UNF	1.67		
212-37	2-5/16												1.59		
212-38	2-3/8												1.52		
212-39	2-7/16												1.45		



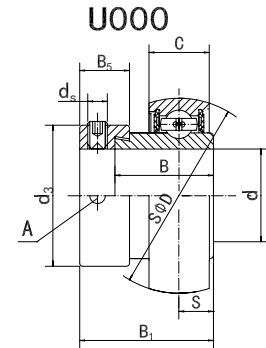
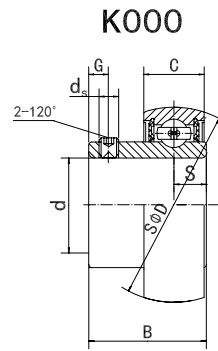
Bearing NO.	Dimensions (mm / in.)											Dynamic load ratings (N)	Static load ratings (N)	Weight (kg)
	d	D	B1	B	C	S	ds	G	F	B5	d3			
SS-SA201	12	40	28.6	19.1	12	6.5	M6X1	4.8	3.4	13.5	28.6	9600	4600	0.14
201-8	1/2	1.5748	1.1260	0.7520	0.4724	0.2559	1/4-28UNF	0.1890	0.1339	0.5315	1.1260			0.14
SS-SA202	15.0	40.0	28.6	19.1	12.0	6.5	M6X1	4.8	3.4	13.5	28.6	9600	4600	0.12
202-9	9/16	1.5748	1.1260	0.7520	0.4724	0.2559	1/4-28UNF	0.1890	0.1339	0.5315	1.1260			0.13
202-10	5/8													0.12
SS-SA203	17	40	28.6	19.1	12	6.5	M6X1	4.8	3.4	13.5	28.6	9600	4600	0.11
203-11	11/16	1.5748	1.1260	0.7520	0.4724	0.2559	1/4-28UNF	0.1890	0.1339	0.5315	1.1260			0.11
SS-SA204	20	47	31.0	21.5	14	7.5	M6X1	4.8	4.2	13.5	33.3	12800	6600	0.17
204-12	3/4	1.8504	1.2205	0.8465	0.5512	0.2953	1/4-28UNF	0.1890	0.1654	0.5315	1.3110			0.18
SS-SA205	25	52	31.0	21.5	15	7.5	M6X1	4.8	4.3	13.5	38.1	14000	7850	0.20
205-13	13/16	2.0472	1.2205	0.8465	0.5906	0.2953	1/4-28UNF	0.1890	0.1693	0.5315	1.5000			0.24
205-14	7/8													0.22
205-15	15/16													0.21
205-16	1													0.20
SS-SA206	30											62	35.7	23.8
206-17	1-1/16	2.4409	1.4055	0.9370	0.6299	0.3543	5/16-24UNF	0.2362	0.1969	0.6260	1.7520	0.34		
206-18	1-1/8											0.32		
206-19	1-3/16											0.30		
206-20	1-1/4											0.28		
SS-SA207	35											72	38.9	25.4
207-20	1-1/4	2.8346	1.5315	1.0000	0.6693	0.3740	5/16-24UNF	0.2677	0.2205	0.6890	2.1890	0.53		
207-21	1-5/16											0.51		
207-22	1-3/8											0.48		
207-23	1-7/16											0.45		
SS-SA208	40											80	43.7	30.2
208-24	1-1/2	3.1496	1.7205	1.1890	0.7087	0.4331	5/16-24UNF	0.2677	0.2323	0.7205	2.3740	0.68		
208-24	1-9/16											0.64		
SS-SA209	45	85	43.7	30.2	19	11.0	M8X1	6.8	6.1	18.3	63.5	32700	20900	0.67
209-26	1-5/8	3.3465	1.7205	1.1890	0.7480	0.4331	5/16-24UNF	0.2677	0.2402	0.7205	2.5000			0.75
209-27	1-11/16													0.72
209-28	1-3/4													0.68
SS-SA210	50											90	43.7	30.2
210-29	1-13/16	3.5433	1.7205	1.1890	0.7874	0.4331	5/16-24UNF	0.2677	0.2559	0.7205	2.7520	0.86		
210-30	1-7/8											0.82		
210-31	1-15/16											0.78		
210-32	1-15/16											0.74		
SS-SA211	55											100	48.4	32.5
211-32	2	3.9370	1.9055	1.2795	0.8268	0.4724	3/8-24UNF	0.3150	0.2756	0.8150	3.0000	1.14		
211-33	2-1/16											1.09		
211-34	2-1/8											1.04		
211-35	2-3/16											0.99		
SS-SA212	60											110	53.1	37.2
212-36	2-1/4	4.3307	2.0906	1.4646	0.8661	0.5315	3/8-24UNF	0.3150	0.2913	0.8780	3.3150	1.46		
212-37	2-5/16											1.40		
212-38	2-3/8											1.33		
212-39	2-7/16											1.27		



Bearing NO.	Dimensions (mm / in.)									Dynamic load ratings (N)	Static load ratings (N)	Weight (kg)
	d	D	B	C	S	S1	ds	F	G			
SS-SB201	12	40	22	12	6.0	16.0	M5X0.8	3.4	4	9600	4600	0.11
201-8	1/2	1.5748	0.8661	0.4724	0.2362	0.6299	10-32UNF	0.1339	0.1575			0.10
SS-SB202	15	40	22	12	6.0	16.0	M5X0.8	3.4	4	9600	4600	0.10
202-9	9/16	1.5748	0.8661	0.4724	0.2362	0.6299	10-32UNF	0.1339	0.1575			0.10
202-10	5/8											0.09
SS-SB203	17	40	22	12	6.0	16.0	M5X0.8	3.4	4	9600	4600	0.09
203-11	11/16	1.5748	0.8661	0.4724	0.2362	0.6299	10-32UNF	0.1339	0.1575			0.09
SS-SB204	20	47	25	14	7.0	18.0	M6X1	4.2	4.6	12800	6600	0.14
204-12	3/4	1.8504	0.9843	0.5512	0.2756	0.7087	1/4-28UNF	0.1654	0.1811			0.14
SS-SB205	25	52	27	15	7.5	19.5	M6X1	4.3	5	14000	7850	0.17
205-13	13/16	2.0472	1.0630	0.5906	0.2953	0.7677	1/4-28UNF	0.1693	0.1969			0.20
205-14	7/8											0.19
205-15	15/16											0.18
205-16	1											0.17
SS-SB206	30									62	30	16
206-17	1-1/16	2.4409	1.1811	0.6299	0.3150	0.8661	1/4-28UNF	0.1969	0.1969	0.30		
206-18	1-1/8									0.28		
206-19	1-3/16									0.26		
206-20	1-1/4									0.24		
SS-SB207	35									72	32	17
207-20	1-1/4	2.8346	1.2598	0.6693	0.3346	0.9252	5/16-24UNF	0.2205	0.2559	0.42		
207-21	1-5/16									0.40		
207-22	1-3/8									0.38		
207-23	1-7/16									0.36		
SS-SB208	40									80	34	18
208-24	1-1/2	3.1496	1.3386	0.7087	0.3543	0.9843	5/16-24UNF	0.2323	0.3031	0.52		
208-24	1-9/16									0.49		
SS-SB209	45	85	41.2	19	10.2	31.0	M8X1	6.1	8	32700	20900	0.57
209-26	1-5/8	3.3465	1.6220	0.7480	0.4016	1.2205	5/16-24UNF	0.2402	0.3150			0.65
209-27	1-11/16											0.62
209-28	1-3/4											0.58
SS-SB210	50									90	43.5	20
210-29	1-13/16	3.5433	1.7126	0.7874	0.4291	1.2835	3/8-24UNF	0.2559	0.3937	0.75		
210-30	1-7/8									0.71		
210-31	1-15/16									0.67		
210-32	2									0.63		
SS-SB211	55									100	45.3	21
211-32	2	3.9370	1.7835	0.8268	0.4646	1.3189	3/8-24UNF	0.2756	0.3937	0.99		
211-33	2-1/16									0.94		
211-34	2-1/8									0.90		
211-35	2-3/16									0.85		
SS-SB212	60									110	53.7	22
212-36	2-1/4	4.3307	2.1142	0.8661	0.5866	1.5276	3/8-24UNF	0.2913	0.3937	1.31		
212-37	2-5/16									1.25		
212-38	2-3/8									1.19		
212-39	2-7/16									1.12		

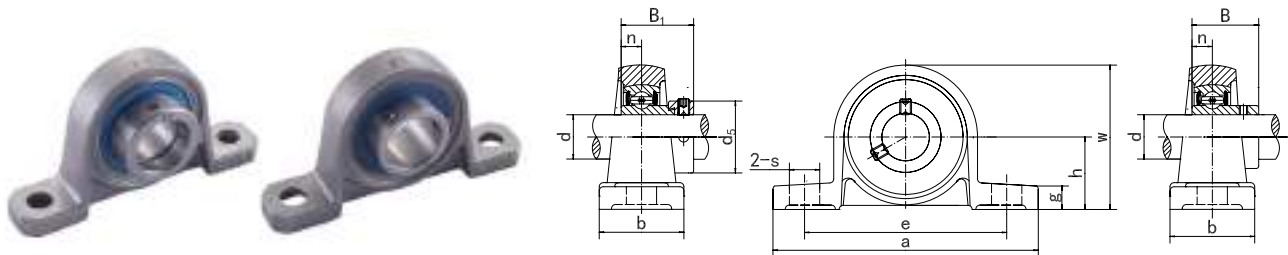


Bearing NO.	Dimensions (mm / in.)			Dynamic load ratings (N)	Static load ratings (N)	Weight (kg)
	d	D	B			
SS-CS200	10	30	9	5100	2230	0.031
	0.3937	1.1811	0.3543			
SS-CS201	12	32	10	6800	3050	0.033
	0.4724	1.2598	0.3937			
SS-CS202	15	35	11	7600	3490	0.043
	0.5906	1.3780	0.4331			
SS-CS203	17	40	12	9600	4600	0.062
	0.6693	1.5748	0.4724			
SS-CS204	20	47	14	12800	6600	0.099
	0.7874	1.8504	0.5512			
SS-CS205	25	52	15	1400	7850	0.123
	0.9843	2.0472	0.5906			
SS-CS206	30	62	16	19400	11250	0.197
	1.1811	2.4409	0.6299			
SS-CS207	35	72	17	25700	15200	0.285
	1.3780	2.8346	0.6693			
SS-CS208	40	80	18	29500	18100	0.361
	1.5748	3.1496	0.7087			
SS-CS209	45	85	19	32700	20900	0.409
	1.7717	3.3465	0.7480			
SS-CS210	50	90	20	35000	23200	0.453
	1.9685	3.5433	0.7874			
SS-CS211	55	100	21	43300	29200	0.595
	2.1654	3.9370	0.8268			
SS-CS212	60	110	22	47700	32800	0.782
	2.3622	4.3307	0.8661			



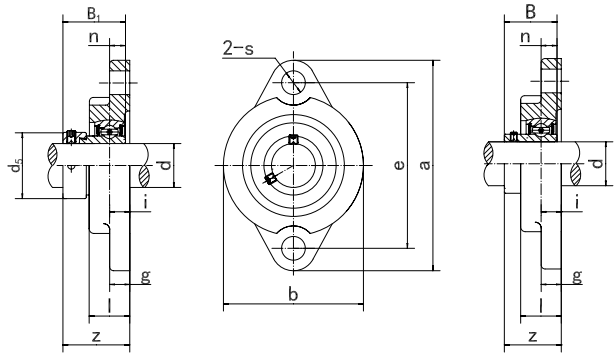
Bearing NO.	Dimensions (mm / in.)								Dynamic load ratings (N)	Static load ratings (N)	Weight (kg)
	d	D	B	C	r	S	G	ds			
SS-K08	8	22.0	14.0	7.0	0.5	3.5	3.0	M3X0.35	3500	1370	0.01
		0.8661	0.5512	0.2756		0.1378	0.1181				
SS-K000	10	26	14	8	0.5	4.0	3.0	M3X0.35	4606	1906	0.02
		1.0236	0.5512	0.3150		0.1575	0.1181				
SS-K001	12	28	14.5	8	0.5	4.0	3.0	M3X0.35	5096	2401	0.03
		1.1024	0.5709	0.3150		0.1575	0.1181				
SS-K002	15	32	16.5	9	0.5	4.5	3.5	M4X0.5	5586	2842	0.05
		1.2598	0.6496	0.3543		0.1772	0.1378				
SS-K003	17	35	17.5	10	0.5	5.0	3.5	M4X0.5	5978	3284	0.05
		1.3780	0.6890	0.3937		0.1969	0.1378				
SS-K004	20	42	21	12	1.0	6.0	4.0	M5X0.5	9359	5047	0.09
		1.6535	0.8268	0.4724		0.2362	0.1575				
SS-K005	35	62.0	30.0	14.0	1.5	7.0	6.0	M6X0.75	15920	10290	0.20
		2.4409	1.1811	0.5512		0.2756	0.2362				
SS-K006	30	55	24.5	13	1.5	6.5	5.0	M5X0.5	13230	8281	0.15
		2.1654	0.9646	0.5118		0.2559	0.1969				
SS-K007	30	55	24.5	13	1.5	6.5	5.0	M5X0.5	13230	8281	0.15
		2.1654	0.9646	0.5118		0.2559	0.1969				

Bearing NO.	Dimensions (mm / in.)										Dynamic load ratings (N)	Static load ratings (N)	Weight (kg)	
	d	D	B1	B	C	r	S	B5	d3	A				ds
SS-U08	8	22	17.0	10.5	7.0	0.5	3.5	8.5	15.0	3.5	M4X0.7	3500	1370	0.02
		0.8661	0.6693	0.4134	0.2756		0.1378	0.3346	0.5906	0.1378				
SS-U000	10	26	17.5	11.0	8.0	0.5	4.0	8.5	17.0	3.5	M4X0.7	4606	1906	0.03
		1.0236	0.6890	0.4331	0.3150		0.1575	0.3346	0.6693	0.1378				
SS-U001	12	28	17.5	11.0	8.0	0.5	4.0	8.5	19.0	3.5	M4X0.7	5096	2401	0.04
		1.1024	0.6890	0.4331	0.3150		0.1575	0.3346	0.7480	0.1378				
SS-U002	15	32	18.5	12.0	9.0	0.5	4.5	8.5	22.0	3.5	M4X0.7	5586	2842	0.05
		1.2598	0.7283	0.4724	0.3543		0.1772	0.3346	0.8661	0.1378				
SS-U003	17	35	20.5	13.5	10.0	0.5	5.0	9.5	25.0	3.5	M4X0.7	5978	3284	0.06
		1.3780	0.8071	0.5315	0.3937		0.1969	0.3740	0.9843	0.1378				
SS-U004	20	42	24.5	16.5	12.0	1.0	6.0	11.0	30.0	5.0	M5X0.8	9359	5047	0.10
		1.6535	0.9646	0.6496	0.4724		0.2362	0.4331	1.1811	0.1969				
SS-U005	25	47	25.5	17.5	12.0	1.0	6.0	12.0	36.0	5.0	M5X0.8	10094	5831	0.14
		1.8504	1.0039	0.6890	0.4724		0.2362	0.4724	1.4173	0.1969				
SS-U006	30	55	26.5	18.5	13.0	1.5	6.5	12.0	42.0	5.0	M5X0.8	13230	8281	0.19
		2.1654	1.0433	0.7283	0.5118		0.2559	0.4724	1.6535	0.1969				
SS-U007	35	62	29.5	20.0	14.0	1.5	7.0	13.5	48.0	5.0	M6X0.75	15920	10290	0.25
		2.4409	1.1614	0.7874	0.5512		0.2756	0.5315	1.8898	0.1969				



Unit NO.	Dimensions (mm / in.)											Bolt Size mm/in.	Bearing No.	Housing No.	Weight (kg)
	d	h	a	e	S	g	w	b	B1	n	d5				
SS-USP08	8	16.0	55.0	42.0	4.8	5.0	29.0	12.0	17.0	3.5	15.0	M5	SS-U08	SP08	0.06
		0.630	2.165	1.654	0.189	0.197	1.142	0.472	0.669	0.138	0.591				
SS-USP000	10	18.0	67.0	53.0	7.0	6.0	35.0	16.0	17.5	4.0	17.0	M6	SS-U000	SP000	0.08
		0.709	2.638	2.087	0.276	0.236	1.378	0.630	0.689	0.157	0.669				
SS-USP001	12	19.0	71.0	56.0	7.0	6.0	38.0	16.0	17.5	4.0	19.0	M6	SS-U001	SP001	0.09
		0.748	2.795	2.205	0.276	0.236	1.496	0.630	0.689	0.157	0.748				
SS-USP002	15	22.0	80.0	63.0	7.0	7.0	43.0	16.0	18.5	4.5	22.0	M6	SS-U002	SP002	0.13
		0.866	3.150	2.480	0.276	0.276	1.693	0.630	0.728	0.177	0.866				
SS-USP003	17	24.0	85.0	67.0	7.0	7.0	47.0	18.0	20.5	5.0	25.0	M6	SS-U003	SP003	0.16
		0.945	3.346	2.638	0.276	0.276	1.850	0.709	0.807	0.197	0.984				
SS-USP004	20	28.0	100.0	80.0	9.0	9.0	55.0	20.0	24.5	6.0	30.0	M8	SS-U004	SP004	0.23
		1.102	3.937	3.150	0.354	0.354	2.165	0.787	0.965	0.236	1.181				
SS-USP005	25	32.0	112.0	90.0	10.0	10.0	62.0	20.0	25.5	6.5	36.0	M8	SS-U005	SP005	0.29
		1.260	4.409	3.543	0.394	0.394	2.441	0.787	1.004	0.256	1.417				
SS-USP006	30	36.0	132.0	106.0	13.0	11.0	70.0	26.0	26.5	6.5	42.0	M10	SS-U006	SP006	0.45
		1.417	5.197	4.173	0.512	0.433	2.756	1.024	1.043	0.256	1.654				
SS-USP007	35	40.0	150.0	118.0	13.0	13.0	80.0	26.0	29.5	7.0	42.0	M10	SS-U006	SP006	0.45
		UP006	1.575	5.906	4.646	0.512	0.512	3.150	1.024	1.161	0.276				

Unit NO.	Dimensions (mm / in.)											Bolt Size mm/in.	Bearing No.	Housing No.	Weight (kg)
	d	h	a	e	S	g	w	b	B	n					
SS-KSP08	8	16.0	55.0	42.0	4.8	5.0	29.0	12.0	14.0	3.5		M5	SS-K08	SP08	0.05
		0.630	2.165	1.654	0.189	0.197	1.142	0.472	0.551	0.138					
SS-KSP000	10	18.0	67.0	53.0	7.0	6.0	35.0	16.0	14.0	4.0		M6	SS-K000	SP000	0.07
		0.709	2.638	2.087	0.276	0.236	1.378	0.630	0.551	0.157					
SS-KSP001	12	19.0	71.0	56.0	7.0	6.0	38.0	16.0	14.5	4.0		M6	SS-K001	SP001	0.09
		0.748	2.795	2.205	0.276	0.236	1.496	0.630	0.571	0.157					
SS-KSP002	15	22.0	80.0	63.0	7.0	7.0	43.0	16.0	16.5	4.5		M6	SS-K002	SP002	0.13
		0.866	3.150	2.480	0.276	0.276	1.693	0.630	0.650	0.177					
SS-KSP003	17	24.0	85.0	67.0	7.0	7.0	47.0	18.0	17.5	5.0		M6	SS-K003	SP003	0.16
		0.945	3.346	2.638	0.276	0.276	1.850	0.709	0.689	0.197					
SS-KSP004	20	28.0	100.0	80.0	9.0	9.0	55.0	20.0	21.0	6.0		M8	SS-K004	SP004	0.23
		1.102	3.937	3.150	0.354	0.354	2.165	0.787	0.827	0.236					
SS-KSP005	25	32.0	112.0	90.0	10.0	10.0	62.0	20.0	22.5	6.5		M8	SS-K005	SP005	0.29
		1.260	4.409	3.543	0.394	0.394	2.441	0.787	0.886	0.256					
SS-KSP006	30	36.0	132.0	106.0	13.0	11.0	70.0	26.0	24.5	6.5		M10	SS-K006	SP006	0.45
		1.417	5.197	4.173	0.512	0.433	2.756	1.024	0.965	0.256					
SS-KSP007	35	40.0	150.0	118.0	13.0	13.0	80.0	26.0	27.5	7.0		M10	SS-K006	SP006	0.45
		1.575	5.906	4.646	0.512	0.512	3.150	1.024	1.083	0.276					

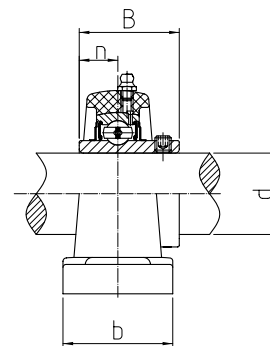
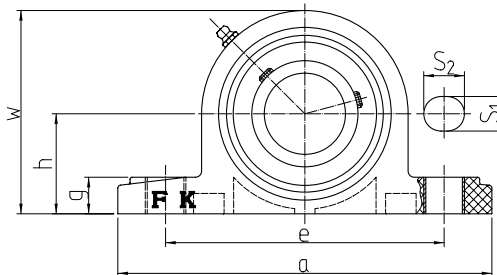


Unit NO.	Dimensions (mm / in.)												Bolt Size mm/in.	Bearing No.	Housing No.	Weight (kg)
	d	a	e	b	S	i	g	l	z	B1	n	d5				
SS-USFL08	8	48.0	36.0	27.0	5.0	4.0	4.0	8.5	17.5	17.0	3.5	15.0	M6	SS-U08	SFL08	0.05
		1.890	1.417	1.063	0.197	0.157	0.157	0.335	0.689	0.669	0.138	0.591				
SS-USFL000	10	60.0	45.0	36.0	7.0	5.5	5.5	11.5	19.0	17.5	4.0	17.0	M6	SS-U000	SFL000	0.06
		2.362	1.772	1.417	0.276	0.217	0.217	0.453	0.748	0.689	0.157	0.669				
SS-USFL001	12	63.0	48.0	38.0	7.0	5.5	5.5	11.5	19.0	17.5	4.0	19.0	M6	SS-U001	SFL001	0.07
		2.480	1.890	1.496	0.276	0.217	0.217	0.453	0.748	0.689	0.157	0.748				
SS-USFL002	15	67.0	53.0	42.0	7.0	6.5	6.5	13.0	20.5	18.5	4.5	22.0	M6	SS-U002	SFL002	0.10
		2.638	2.087	1.654	0.276	0.256	0.256	0.512	0.807	0.728	0.177	0.866				
SS-USFL003	17	71.0	56.0	46.0	7.0	7.0	7.0	14.0	22.5	20.5	5.0	25.0	M6	SS-U003	SFL003	0.13
		2.795	2.205	1.811	0.276	0.276	0.276	0.551	0.886	0.807	0.197	0.984				
SS-USFL004	20	90.0	71.0	55.0	10.0	8.0	8.0	16.0	26.5	24.5	6.0	30.0	M8	SS-U004	SFL004	0.20
		3.543	2.795	2.165	0.394	0.315	0.315	0.630	1.043	0.965	0.236	1.181				
SS-USFL005	25	95.0	75.0	60.0	10.0	8.0	8.0	16.0	27.5	25.5	6.0	36.0	M8	SS-U005	SFL005	0.25
		3.740	2.953	2.362	0.394	0.315	0.315	0.630	1.083	1.004	0.236	1.417				
SS-USFL006	30	112.0	85.0	70.0	13.0	9.0	9.0	18.0	29.0	26.5	6.5	42.0	M10	SS-U006	SFL006	0.35
		4.409	3.346	2.756	0.512	0.354	0.354	0.709	1.142	1.043	0.256	1.654				
SS-USFL007	35	122.0	95.0	80.0	13.0	10.0	10.0	20.0	32.5	29.5	7.0	48.0	M10	SS-U007	SFL007	0.51
		4.803	3.740	3.150	0.512	0.394	0.394	0.787	1.280	1.161	0.276	1.890				

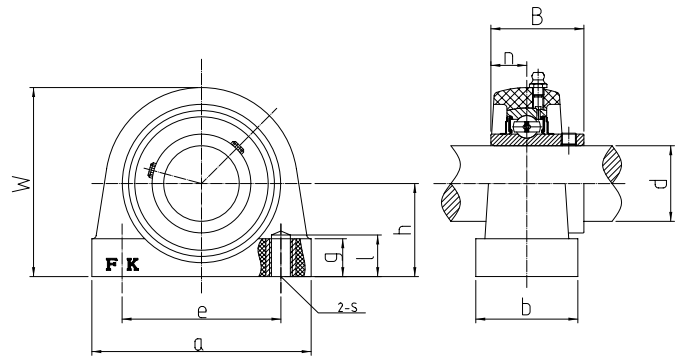
Unit NO.	Dimensions (mm / in.)												Bolt Size mm/in.	Bearing No.	Housing No.	Weight (kg)
	d	a	e	b	S	i	g	l	z	B	n					
SS-KSFL08	8	48.0	36.0	27.0	5.0	4.0	4.0	8.5	14.5	14.0	3.5		M5	SS-K08	SFL08	0.05
		1.890	1.417	1.063	0.197	0.157	0.157	0.335	0.571	0.551	0.138					
SS-KSFL000	10	60.0	45.0	36.0	7.0	5.5	5.5	11.5	15.5	14.0	4.0		M6	SS-K000	SFL000	0.06
		2.362	1.772	1.417	0.276	0.217	0.217	0.453	0.610	0.551	0.157					
SS-KSFL001	12	63.0	48.0	38.0	7.0	5.5	5.5	11.5	16.0	14.5	4.0		M6	SS-K001	SFL001	0.07
		2.480	1.890	1.496	0.276	0.217	0.217	0.453	0.630	0.571	0.157					
SS-KSFL002	15	67.0	53.0	42.0	7.0	6.5	6.5	13.0	18.6	16.5	4.5		M6	SS-K002	SFL002	0.10
		2.638	2.087	1.654	0.276	0.256	0.256	0.512	0.732	0.650	0.177					
SS-KSFL003	17	71.0	56.0	46.0	7.0	7.0	7.0	14.0	19.5	17.5	5.0		M6	SS-K003	SFL003	0.13
		2.795	2.205	1.811	0.276	0.276	0.276	0.551	0.768	0.689	0.197					
SS-KSFL004	20	90.0	71.0	55.0	10.0	8.0	8.0	16.0	23.0	21.0	6.0		M8	SS-K004	SFL004	0.20
		3.543	2.795	2.165	0.394	0.315	0.315	0.630	0.906	0.827	0.236					
SS-KSFL005	25	95.0	75.0	60.0	10.0	8.0	8.0	16.0	24.5	22.5	6.5		M8	SS-K005	SFL005	0.25
		3.740	2.953	2.362	0.394	0.315	0.315	0.630	0.965	0.886	0.256					
SS-KSFL006	30	112.0	85.0	70.0	13.0	9.0	9.0	18.0	27.0	24.5	6.5		M10	SS-K006	SFL006	0.35
		4.409	3.346	2.756	0.512	0.354	0.354	0.709	1.063	0.965	0.256					
SS-KSFL007	35	122.0	96.0	80.0	13.0	10.0	10.0	21.0	30.5	27.5	7.0		M12	SS-K007	SFL007	0.50
		4.803	3.780	3.150	0.512	0.394	0.394	0.827	1.201	1.083	0.276					

Plastic housing with stainless steel insert

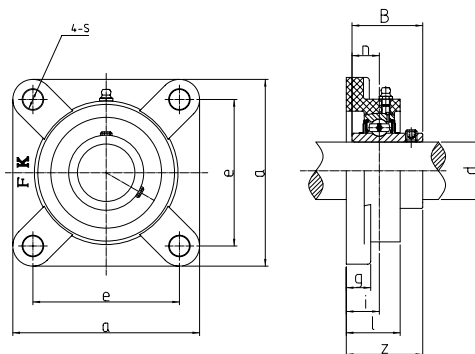




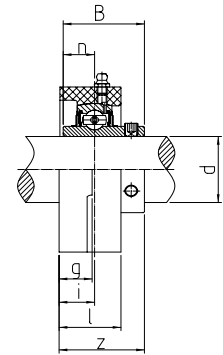
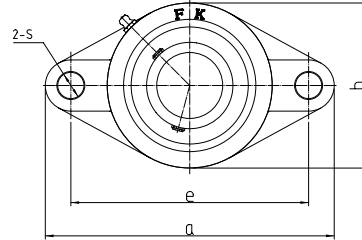
Unit NO.	Dimensions (mm / in.)											Max.Torque		Bearing No.	Housing No.	Weight (kg)
	d	h	a	e	s1	s2	g	w	b	B	n	Bolt D	Nm			
SS-UCPPL201	12	33.3	127.0	95.0	11.0	14.0	14.2	65.5	38.0	31.0	12.7	M10	18	SS-UC201	PPL201	0.32
	1/2	1-5/16	5	3-3/4	7/16	9/16	9/16	2-9/16	1-1/2	1.221	0.500	3/8				
SS-UCPPL202	15	33.3	127.0	95.0	11.0	14.0	14.2	65.5	38.0	31.0	12.7	M10	18	SS-UC202	PPL202	0.31
	9/16	1-5/16	5	3-3/4	7/16	9/16	9/16	2-9/16	1-1/2	1.221	0.500	3/8				
5/8																
SS-UCPPL203	17	33.3	127.0	95.0	11.0	14.0	14.2	65.5	38.0	31.0	12.7	M10	18	SS-UC203	PPL203	0.30
	11/16	1-5/16	5	3-3/4	7/16	9/16	9/16	2-9/16	1-1/2	1.221	0.500	3/8				
SS-UCPPL204	20	33.3	127.0	95.0	11.0	14.0	14.2	65.5	38.0	31.0	12.7	M10	18	SS-UC204	PPL204	0.29
	3/4	1-5/16	5	3-3/4	7/16	9/16	9/16	2-9/16	1-1/2	1.221	0.500	3/8				
SS-UCPPL205	25	36.5	140.5	105.0	11.0	14.0	14.5	71.0	38.0	34.1	14.3	M10	25	SS-UC205	PPL205	0.34
	13/16 7/8 15/16 1	1-7/16	5-17/32	4-1/8	7/16	9/16	19/32	2-25/32	1-1/2	1.343	0.563	3/8				
SS-UCPPL206	30	42.9	163.0	119.0	14.0	18.0	17.8	84.0	46.0	38.1	15.9	M12	30	SS-UC206	PPL206	0.54
	1-1/16 1-1/8 1-3/16 1-1/2	1-11/16	6-27/64	4-11/16	9/16	45/64	45/64	3-5/16	1-13/16	1.500	0.626	7/16				
SS-UCPPL207	35	47.6	168.0	127.0	14.0	18.0	18.0	94.5	48.0	42.9	17.5	M12	35	SS-UC207	PPL207	0.78
	1-1/4 1-5/16 1-3/8 1-7/16	1-7/8	6-39/64	5	9/16	45/64	45/64	3-23/32	1-7/8	1.689	0.689	7/16				
SS-UCPPL208	40	49.2	184.0	137.0	14.0	18.0	19.5	99.0	54.0	49.2	19.0	M12	40	SS-UC208	PPL208	0.97
	1-1/2 1-9/16	1-15/16	7-1/4	5-13/32	9/16	45/64	49/64	3-57/64	2-1/8	1.937	0.748	7/16				
SS-UCPPL209	45	54	192.0	146.0	17.0	20.0	23.0	106.0	54.0	49.2	19.0	M16	45	SS-UC209	PPL209	1.09
	1-5/8 1-11/16 1-3/4	2-1/8	7-9/16	5-3/4	43/64	25/32	29/32	4-11/64	2-1/8	1.937	0.748	5/8				
SS-UCPPL210	50	57.2	206.0	159.0	17.0	20.0	23.0	114.0	60.0	51.6	19.0	M16	50	SS-UC210	PPL210	1.20
	1-13/16 1-7/8 1-15/16 2	2-1/4	8-1/8	6-1/4	43/64	25/32	29/32	4-31/64	2-3/8	2.032	0.748	5/8				
SS-UCPPL211	55	63.5	219.0	171.0	17.0	20.0	23.0	125.0	60.0	55.6	22.2	M16	55	SS-UC211	PPL211	1.38
	2 2-1/16 2-1/8 2-3/16	2-1/2	8-5/8	6-47/64	43/64	25/32	29/32	4-59/64	2-3/8	2.189	0.874	5/8				
SS-UCPPL212	60	69.8	241.0	184.0	17.0	20.0	25.0	138.0	70.0	65.1	25.4	M16	60	SS-UC212	PPL212	1.52
	2-1/4 2-5/16 2-3/8 2-7/16	2-3/4	9-1/2	7-1/4	43/64	25/32	63/64	5-7/16	2-3/4	2.563	1.000	5/8				



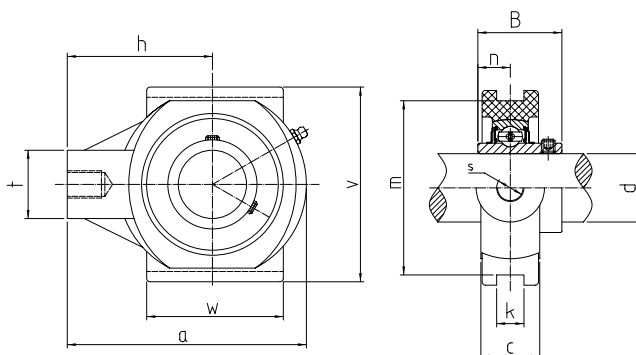
Unit NO.	Dimensions (mm / in.)											Max.Torque		Bearing No.	Housing No.	Weight (kg)
	d	h	a	e	s	g	l	w	b	B	n	Bolt D	Nm			
SS-UCPAPL201	12	33.3	76.0	52.0	M8	11.0	15.0	64.0	38.0	31.0	12.7	M8	18	SS-UC201	PAPL201	0.58
	1/2	1-5/16	3	2-3/64		7/16	19/32	2-17/32	1-1/2	1.221	0.500					
SS-UCPAPL202	15	33.3	76.0	52.0	M8	11.0	15.0	64.0	38.0	31.0	12.7	M8	18	SS-UC202	PAPL202	0.57
	9/16 5/8	1-5/16	3	2-3/64		7/16	19/32	2-17/32	1-1/2	1.221	0.500					
SS-UCPAPL203	17	33.3	76.0	52.0	M8	11.0	15.0	64.0	38.0	31.0	12.7	M8	18	SS-UC203	PAPL203	0.56
	11/16	1-5/16	3	2-3/64		7/16	19/32	2-17/32	1-1/2	1.221	0.500					
SS-UCPAPL204	20	33.3	76.0	52.0	M8	11.0	15.0	64.0	38.0	31.0	12.7	M8	18	SS-UC204	PAPL204	0.55
	3/4	1-5/16	3	2-3/64		7/16	19/32	2-17/32	1-1/2	1.221	0.500					
SS-UCPAPL205	25	36.5	84.0	56.0	M10	12.0	15.0	72.0	38.0	34.1	14.3	M10	25	SS-UC205	PAPL205	0.61
	13/16 7/8 15/16 1	1-7/16	3-5/16	2-13/64		15/32	19/32	2-53/64	1-1/2	1.343	0.563					
SS-UCPAPL206	30	42.9	94.0	66.0	M10	12.0	18.0	84.0	50.0	38.1	15.9	M10	30	SS-UC206	PAPL206	0.89
	1-1/16 1-1/8 1-3/16 1-1/4	1-11/16	3-45/64	2-19/32		15/32	45/64	3-5/16	1-31/32	1.500	0.626					
SS-UCPAPL207	35	47.6	110.0	80.0	M10	13.0	20.0	95.0	55.0	42.9	17.5	M10	35	SS-UC207	PAPL207	1.31
	1-1/4 1-5/16 1-3/8 1-7/16	1-7/8	4-21/64	3-5/32		33/64	25/32	3-47/64	2-11/64	1.689	0.689					
SS-UCPAPL208	40	49.2	116.0	84.0	M12	13.0	20.0	100.0	58.0	49.2	19.0	M12	40	SS-UC208	PAPL208	1.56
	1-1/2 1-9/16	1-15/16	4-9/16	3-5/16		33/64	25/32	3-15/16	2-9/32	1.937	0.748					
SS-UCPAPL209	45	54.2	120.0	90.0	M12	13.0	25.0	108.0	60.0	49.2	19.0	M12	45	SS-UC209	PAPL209	1.70
	1-5/8 1-11/16 1-3/4	2-9/64	4-23/32	3-35/64		33/64	63/64	4-1/4	2-23/64	1.937	0.748					
SS-UCPAPL210	50	57.2	130.0	94.0	M16	14.0	25.0	116.0	64.0	51.6	19.0	M16	50	SS-UC210	PAPL210	1.93
	1-13/16 1-7/8 1-15/16 2	2-1/4	5-1/8	3-45/64		35/64	63/64	4-9/16	2-33/64	2.032	0.748					
SS-UCPAPL211	55	63.5	140.0	104.0	M16	14.0	25.0	125.0	66.0	55.6	22.2	M16	55	SS-UC211	PAPL211	2.33
	2 2-1/16 2-1/8 2-3/16	2-1/2	5-33/64	4-3/32		35/64	63/64	4-59/64	2-19/32	2.189	0.874					
SS-UCPAPL212	60	69.9	150.0	114.0	M16	15.0	25.0	138.0	68.0	65.1	25.4	M16	60	SS-UC212	PAPL212	2.90
	2-1/4 2-5/16 2-3/8 2-7/16	2-3/4	5-29/32	4-31/64		19/32	63/64	5-7/16	2-43/64	2.563	1.000					



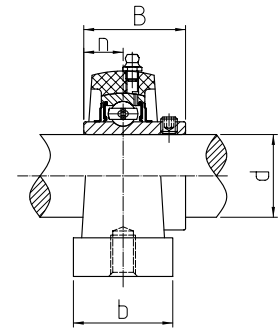
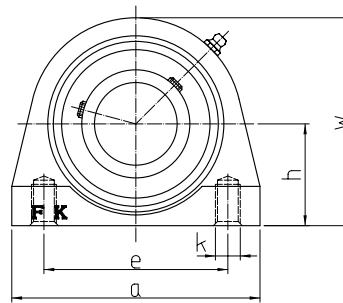
Unit NO.	Dimensions (mm / in.)										Max.Torque		Bearing No.	Housing No.	Weight (kg)
	d	a	e	s	g	i	l	z	B	n	Bolt D	Nm			
SS-UCFPL201	12	86.0	63.5	11.0	13.4	16.3	27.8	34.6	31.0	12.7	M10	18	SS-UC201	FPL201	0.32
	1/2	3-3/8	2-33/64	7/16	17/32	41/64	1-3/32	1-23/64	1.221	0.500	3/8				
SS-UCFPL202	15	86.0	63.5	11.0	13.4	16.3	27.8	34.6	31.0	12.7	M10	18	SS-UC202	FPL202	0.31
	9/16	3-3/8	2-33/64	7/16	17/32	41/64	1-3/32	1-23/64	1.221	0.500	3/8				
5/8															
SS-UCFPL203	17	86.0	63.5	11.0	13.4	16.3	27.8	34.6	31.0	12.7	M10	18	SS-UC203	FPL203	0.30
	11/16	3-3/8	2-33/64	7/16	17/32	41/64	1-3/32	1-23/64	1.221	0.500	3/8				
SS-UCFPL204	20	86.0	63.5	11.0	13.4	16.3	27.8	34.6	31.0	12.7	M10	18	SS-UC204	FPL204	0.29
	3/4	3-3/8	2-33/64	7/16	17/32	41/64	1-3/32	1-23/64	1.221	0.500	3/8				
SS-UCFPL205	25	95.0	70.0	11.0	14.3	17.0	28.0	36.7	34.1	14.3	M10	25	SS-UC205	FPL205	0.36
	13/16 7/8 15/16 1	3-3/4	2-3/4	7/16	9/16	43/64	1-3/32	1-7/16	1.343	0.563	3/8				
SS-UCFPL206	30	107.0	83.0	11.0	14.3	19.2	31.5	41.4	38.1	15.9	M10	30	SS-UC206	FPL206	0.50
	1-1/16 1-1/8 1-3/16 1-1/4	4-7/32	3-17/64	7/16	9/16	3/4	1-15/64	1-5/8	1.500	0.626	3/8				
SS-UCFPL207	35	118.0	92.0	13.0	15.5	21.5	34.8	46.9	42.9	17.5	M12	35	SS-UC207	FPL207	0.74
	1-1/4 1-5/16 1-3/8 1-7/16	4-21/32	3-5/8	33/64	39/64	27/32	1-3/8	1-27/32	1.689	0.689	7/16				
SS-UCFPL208	40	130.0	102.0	14.0	17.0	23.0	37.5	53.2	49.2	19.0	M12	40	SS-UC208	FPL208	0.97
	1-1/2 1-9/16	5-1/8	4-1/64	35/64	43/64	29/32	1-15/32	2-3/32	1.937	0.748	7/16				
SS-UCFPL209	45	137.0	105.0	17.0	19.0	24.0	41.0	54.2	49.2	19.0	M16	45	SS-UC209	FPL209	1.10
	1-5/8 1-11/16 1-3/4	5-13/32	4-9/64	43/64	3/4	15/16	1-39/64	2-9/64	1.937	0.748	5/8				
SS-UCFPL210	50	143.0	111.0	17.0	20.0	25.0	43.0	57.6	51.6	19.0	M16	50	SS-UC210	FPL210	1.25
	1-13/16 1-7/8 1-15/16 2	5-5/8	4-3/8	43/64	25/32	63/64	1-11/16	2-17/64	2.032	0.748	5/8				
SS-UCFPL211	55	162.0	130.0	19.0	20.0	25.0	42.0	58.4	55.6	22.2	M18	55	SS-UC211	FPL211	1.40
	2 2-1/16 2-1/8 2-3/16	6-3/8	5-1/8	3/4	25/32	63/64	1-21/32	2-19/64	2.189	0.874	11/16				
SS-UCFPL212	60	175.0	143.0	19.0	20.0	29.0	45.0	68.7	65.1	25.4	M18	60	SS-UC212	FPL212	1.60
	2-1/4 2-5/16 2-3/8 2-7/16	6-57/64	5-5/8	3/4	25/32	1-9/64	1-25/32	2-45/64	2.563	1.000	11/16				



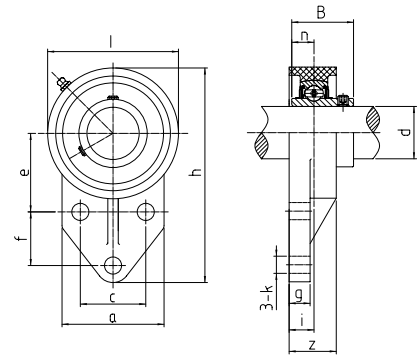
Unit NO.	Dimensions (mm / in.)											Max.Torque		Bearing No.	Housing No.	Weight (kg)
	d	a	e	b	s	g	i	l	z	B	n	Bolt D	Nm			
SS-UCFLPL201	12	114.0	90.0	65.0	11.0	11.4	15.4	26.5	33.7	31.0	12.7	M10	18	SS-UC201	FLPL201	0.27
	1/2	4-31/64	3-35/64	2-9/16	7/16	29/64	39/64	1-3/64	1-21/64	1.221	0.500	3/8				
SS-UCFLPL202	15	90.0	65.0	11.0	11.4	15.4	26.5	33.7	31.0	12.7	M10	18	SS-UC202	FLPL202	0.26	0.24
	9/16	3-35/64	2-9/16	7/16	29/64	39/64	1-3/64	1-21/64	1.221	0.500	3/8					
5/8																
SS-UCFLPL203	17	114.0	90.0	65.0	11.0	11.4	15.4	26.5	33.7	31.0	12.7	M10	18	SS-UC203	FLPL203	0.25
	11/16	4-31/64	3-35/64	2-9/16	7/16	29/64	39/64	1-3/64	1-21/64	1.221	0.500	3/8				
SS-UCFLPL204	20	114.0	90.0	65.0	11.0	11.4	15.4	26.5	33.7	31.0	12.7	M10	18	SS-UC204	FLPL204	0.24
	3/4	4-31/64	3-35/64	2-9/16	7/16	29/64	39/64	1-3/64	1-21/64	1.221	0.500	3/8				
SS-UCFLPL205	25	131.0	99.0	69.5	11.0	13.5	17.0	29.1	36.7	34.1	14.3	M10	25	SS-UC205	FLPL205	0.30
	13/16 7/8 15/16 1	5-5/32	3-57/64	2-47/64	7/16	17/32	43/64	1-9/64	1-7/16	1.343	0.563	3/8				
SS-UCFLPL206	30	148.0	117.0	80.0	11.0	13.3	19.0	30.5	41.2	38.1	15.9	M10	30	SS-UC206	FLPL206	0.45
	1-1/16 1-1/8 1-3/16 1-1/4	5-53/64	4-39/64	3-5/32	7/16	17/32	3/4	1-13/64	1-5/8	1.500	0.626	3/8				
SS-UCFLPL207	35	164.0	130.0	90.0	13.0	16.1	18.0	32.8	43.4	42.9	17.5	M12	35	SS-UC207	FLPL207	0.66
	1-1/4 1-5/16 1-3/8 1-7/16	6-29/64	5-1/8	3-35/64	33/64	41/64	45/64	1-19/64	1-45/64	1.689	0.689	7/16				
SS-UCFLPL208	40	176.0	144.0	100.0	14.0	20.0	21.5	37.5	51.7	49.2	19.0	M12	40	SS-UC208	FLPL208	0.87
	1-1/2 1-9/16	6-59/64	5-43/64	3-15/16	35/64	25/32	27/32	1-15/32	2-1/32	1.937	0.748	7/16				
SS-UCFLPL209	45	188.5	148.5	108.0	17.0	21.0	24.0	41.0	54.2	49.2	19.0	M16	45	SS-UC209	FLPL209	1.00
	1-5/8 1-11/16 1-3/4	7-27/64	5-27/32	4-15/64	43/64	53/64	15/16	1-39/64	2-9/64	1.937	0.748	5/8				
SS-UCFLPL210	50	197.0	157.0	115.0	17.0	21.0	25.0	43.0	57.6	51.6	19.0	M16	50	SS-UC210	FLPL210	1.20
	1-13/16 1-7/8 1-15/16 2	7-3/4	6-3/16	4-17/32	43/64	53/64	63/64	1-11/16	2-17/64	2.032	0.748	5/8				
SS-UCFLPL211	55	224.0	184.0	130.0	19.0	21.0	25.0	43.0	58.4	55.6	22.2	M18	55	SS-UC211	FLPL211	1.42
	2 2-1/16 2-1/8 2-3/16	8-13/16	7-1/4	5-1/8	3/4	53/64	63/64	1-11/16	2-19/64	2.189	0.874	11/16				
SS-UCFLPL212	60	250.0	202.0	140.0	19.0	23.0	29.0	45.0	68.7	65.1	25.4	M18	60	SS-UC212	FLPL212	1.60
	2-1/4 2-5/16 2-3/8 2-7/16	9-27/32	7-61/64	5-33/64	3/4	29/32	1-9/64	1-25/32	2-45/64	2.563	1.000	11/16				



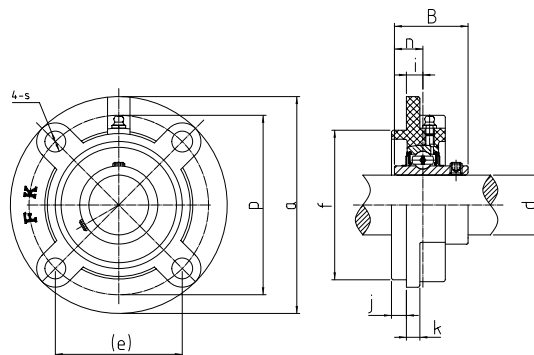
Unit NO.	Dimensions (mm / in.)												Bearing No.	Housing No.	Weight (kg)
	d	h	a	w	v	t	c	d	m	s	B	n			
SS-UCTPL201	12	64.0	99.0	47.0	88.0	36.0	27.5	12.0	76.0	M16	31.0	12.7	SS-UC204	TPL201	0.38
	1/2	2-33/64	3-57/64	1-27/32	3-15/32	1-27/64	1-5/64	15/32	2-63/64		1.221	0.500			
SS-UCTPL202	15	64.0	99.0	47.0	88.0	36.0	27.5	12.0	76.0	M16	31.0	12.7	SS-UC204	TPL202	0.37
	9/16	2-33/64	3-57/64	1-27/32	3-15/32	1-27/64	1-5/64	15/32	2-63/64		1.221	0.500			
	5/8														
SS-UCTPL203	17	64.0	99.0	47.0	88.0	36.0	27.5	12.0	76.0	M16	31.0	12.7	SS-UC204	TPL203	0.36
	11/16	2-33/64	3-57/64	1-27/32	3-15/32	1-27/64	1-5/64	15/32	2-63/64		1.221	0.500			
SS-UCTPL204	20	64.0	99.0	47.0	88.0	36.0	27.5	12.0	76.0	M16	31.0	12.7	SS-UC204	TPL204	0.35
	3/4	2-33/64	3-57/64	1-27/32	3-15/32	1-27/64	1-5/64	15/32	2-63/64		1.221	0.500			
SS-UCTPL205	25	64.0	99.0	47.0	88.0	36.0	27.5	12.0	76.0	M16	34.1	14.3	SS-UC205	TPL205	0.40
	13/16 7/8 15/16 1	2-33/64	3-57/64	1-27/32	3-15/32	1-27/64	1-5/64	15/32	2-63/64		1.343	0.563			
SS-UCTPL206	30	76.0	125.0	63.0	102.0	40.0	34.5	12.0	89.0	M16	38.1	15.9	SS-UC206	TPL206	0.55
	1-1/16 1-1/8 1-3/16 1-1/4	2-63/64	4-59/64	2-31/64	4-1/64	1-37/64	1-23/64	15/32	3-1/2		1.500	0.626			
SS-UCTPL207	35	76.0	125.0	63.0	102.0	40.0	34.5	12.0	89.0	M16	42.9	17.5	SS-UC207	TPL207	0.80
	1-1/4 1-5/16 1-3/8 1-7/16	2-63/64	4-59/64	2-31/64	4-1/64	1-37/64	1-23/64	15/32	3-1/2		1.689	0.689			
SS-UCTPL208	40	85.0	140.0	80.0	114.0	40.0	34.5	16.0	102.0	M16	49.2	19.0	SS-UC208	TPL208	0.95
	1-1/2 1-9/16	3-11/32	5-33/64	3-5/32	4-31/64	1-37/64	1-23/64	5/8	4-1/64		1.937	0.748			
SS-UCTPL209	45	90.0	149.0	85.0	117.0	50.0	40.0	16.0	102.0	M20	49.2	19.0	SS-UC209	TPL209	1.10
	1-5/8 1-11/16 1-3/4	3-35/64	5-55/64	3-11/32	4-39/64	1-31/32	1-37/64	5/8	4-1/64		1.937	0.748			
SS-UCTPL210	50	90.0	149.0	85.0	117.0	50.0	40.0	16.0	102.0	M20	51.6	19.0	SS-UC210	TPL210	1.25
	1-13/16 1-7/8 1-15/16 2	3-35/64	5-55/64	3-11/32	4-39/64	1-31/32	1-37/64	5/8	4-1/64		2.032	0.748			
SS-UCTPL211	55	106.0	171.0	95.0	146.0	64.0	38.0	22.0	130.0	M20	55.6	22.2	SS-UC211	TPL211	1.62
	2 2-1/16 2-1/8 2-3/16	4-11/64	6-47/64	3-47/64	5-3/4	2-33/64	1-1/2	55/64	5-1/8		2.189	0.874			
SS-UCTPL212	60	119.0	194.0	102.0	146.0	64.0	42.0	22.0	130.0	M20	65.1	25.4	SS-UC212	TPL212	1.78
	2-1/4 2-5/16 2-3/8 2-7/16	4-11/16	7-41/64	4-1/64	5-3/4	2-33/64	1-21/32	55/64	5-1/8		2.563	1.000			



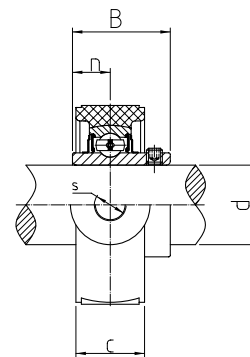
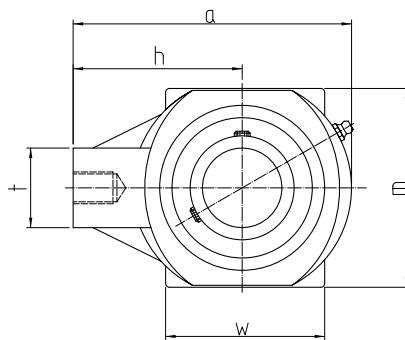
Unit NO.	Dimensions (mm / in.)									Max.Torque		Bearing No.	Housing No.	Weight (kg)
	d	h	a	e	w	k	b	B	n	Bolt D	Nm			
SS-UCTBPL201	12	33.3	72.8	50.8	66.0	M8	34.5	31.0	12.7	M8	18	SS-UC201	TBPL201	0.38
	1/2	1-5/16	2-55/64	2	2-19/32		1-23/64	1.221	0.500					
SS-UCTBPL202	15	33.3	72.8	50.8	66.0	M8	34.5	31.0	12.7	M8	18	SS-UC202	TBPL202	0.37
	9/16	1-5/16	2-55/64	2	2-19/32		1-23/64	1.221						
	5/8													
SS-UCTBPL203	33.3	72.8	50.8	66.0	M8	34.5	31.0	12.7	M8	18	SS-UC203	TBPL203	0.36	0.35
	1-5/16	2-55/64	2	2-19/32	1-23/64		1.221	0.500						
SS-UCTBPL204	20	33.3	72.8	50.8	66.0	M8	34.5	31.0	12.7	M8	18	SS-UC204	TBPL204	0.35
	3/4	1-5/16	2-55/64	2	2-19/32		1-23/64	1.221	0.500					
SS-UCTBPL205	25	36.5	76.2	50.8	73.5	M10	39.5	34.1	14.3	M10	25	SS-UC205	TBPL205	0.40
	13/16 7/8 15/16 1	1-7/16	3	2	2-57/64		1-9/16	1.343	0.563					
SS-UCTBPL206	30	42.9	101.0	76.2	84.0	M10	42.5	38.1	15.9	M10	30	SS-UC206	TBPL206	0.55
	1-1/16 1-1/8 1-3/16 1-1/4	1-11/16	3-31/32	3	3-5/16		1-43/64	1.500	0.626					
SS-UCTBPL207	35	47.6	110.0	82.6	95.0	M10	47.5	42.9	17.5	M10	35	SS-UC207	TBPL207	0.80
	1-1/4 1-5/16 1-3/8 1-7/16	1-7/8	4-21/64	3-1/4	3-47/64		1-7/8	1.689	0.689					
SS-UCTBPL208	40	49.2	120.0	88.9	100.5	M12	48.0	49.2	19.0	M12	45	SS-UC208	TBPL208	0.95
	1-1/2 1-9/16	1-15/16	4-23/32	3-1/2	3-61/64		1-57/64	1.937	0.748					
SS-UCTBPL209	45	54.2	124.0	95.3	108.5	M12	50.0	49.2	19.0	M12	50	SS-UC209	TBPL209	1.10
	1-5/8 1-11/16 1-3/4	2-9/64	4-7/8	3-3/4	4-9/32		1-31/32	1.937	0.748					
SS-UCTBPL210	50	57.2	135.0	101.6	115.0	M16	54.0	51.6	19.0	M16	55	SS-UC210	TBPL210	1.25
	1-13/16 1-7/8 1-15/16 2	2-1/4	5-5/16	4	4-17/32		2-1/8	2.032	0.748					
SS-UCTBPL211	55	63.5	140.0	104.0	125.0	M20	66.0	55.6	22.2	M20	60	SS-UC211	TBPL211	1.43
	2 2-1/16 2-1/8 2-3/16	2-1/2	5-33/64	4-3/32	4-59/64		2-19/32	2.189	0.874					
SS-UCTBPL212	60	69.9	150.0	114.0	138.0	M20	68.0	65.1	25.4	M20	65	SS-UC212	TBPL212	1.58
	2-1/4 2-5/16 2-3/8 2-7/16	2-3/4	5-29/32	4-31/64	5-7/16		2-43/64	2.563	1.000					



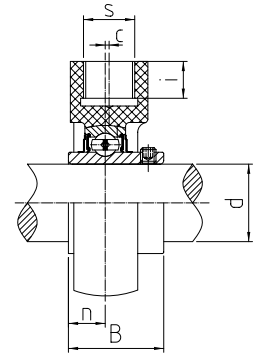
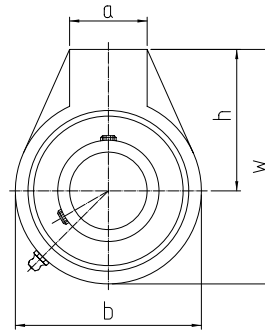
Unit NO.	Dimensions (mm / in.)													Max.Torque		Bearing No.	Housing No.	Weight (kg)
	d	h	a	c	f	e	l	g	i	z	k	B	n	Bolt D	Nm			
SS-UCFBPL201	12	108.0	62.0	38.1	22.2	42.9	63.5	13.0	15.0	26.5	10.7	31.0	12.7	M10	18	SS-UC201	FBPL201	0.28
	1/2	4-1/4	2-7/16	1-1/2	7/8	1-11/16	2-1/2	33/64	19/32	1-3/64	27/64	1.2205	0.500	3/8				
SS-UCFBPL202	15	108.0	62.0	38.1	22.2	42.9	63.5	13.0	15.0	26.5	10.7	31.0	12.7	M10	18	SS-UC202	FBPL202	0.27
	9/16	4-1/4	2-7/16	1-1/2	7/8	1-11/16	2-1/2	33/64	19/32	1-3/64	27/64	1.2205	0.500	3/8				
5/8																		
SS-UCFBPL203	17	108.0	62.0	38.1	22.2	42.9	63.5	13.0	15.0	26.5	10.7	31.0	12.7	M10	18	SS-UC203	FBPL203	0.26
	11/16	4-1/4	2-7/16	1-1/2	7/8	1-11/16	2-1/2	33/64	19/32	1-3/64	27/64	1.2205	0.500	3/8				
SS-UCFBPL204	20	108.0	62.0	38.1	22.2	42.9	63.5	13.0	15.0	26.5	10.7	31.0	12.7	M10	18	SS-UC204	FBPL204	0.25
	3/4	4-1/4	2-7/16	1-1/2	7/8	1-11/16	2-1/2	33/64	19/32	1-3/64	27/64	1.2205	0.500	3/8				
SS-UCFBPL205	25	120.6	63.5	41.3	28.6	46.0	70.0	14.0	16.0	28.0	10.7	34.1	14.3	M10	25	SS-UC205	FBPL205	0.30
	13/16 7/8 15/16 1	4-3/4	2-1/2	1-5/8	1-1/8	1-13/16	2-3/4	35/64	5/8	1-3/32	27/64	1.3425	0.563	3/8				
SS-UCFBPL206	30	138.5	75.5	47.6	31.8	52.4	83.0	14.0	18.0	30.5	10.7	38.1	15.9	M10	30	SS-UC206	FBPL206	0.46
	1-1/16 1-1/8 1-3/16 1-1/4	5-29/64	2-31/32	1-7/8	1-1/4	2-1/16	3-17/64	35/64	45/64	1-9/64	27/64	1.5	0.626	3/8				
SS-UCFBPL207	35	157.0	83.0	50.8	31.8	60.3	95.0	15.0	19.0	32.0	13.1	42.9	17.5	M12	35	SS-UC207	FBPL207	0.66
	1-1/4 1-5/16 1-3/8 1-7/16	6-3/16	3-17/64	2	1-1/4	2-3/8	3-47/64	19/32	3/4	1-1/4	33/64	1.689	0.689	7/16				
SS-UCFBPL208	40	164.0	78.0	50.0	41.3	60.3	100.0	16.0	21.5	35.0	13.1	49.2	19.0	M12	40	SS-UC208	FBPL208	0.78
	1-1/2 1-9/16	6-15/32	3-5/64	1-31/32	1-5/8	2-3/8	3-15/16	5/8	27/32	1-3/8	33/64	1.937	0.748	7/16				
SS-UCFBPL209	45	174.0	80.0	54.0	43.0	65.0	106.0	18.0	21.5	35.0	16.0	49.2	19.0	M14	45	SS-UC209	FBPL209	0.92
	1-5/8 1-11/16 1-3/4	6-27/32	3-5/32	2-1/8	1-11/16	2-9/16	4-3/16	23/32	27/32	1-3/8	5/8	1.937	0.748	7/16				
SS-UCFBPL210	50	184.0	86.0	58.0	46.0	68.0	112.0	18.0	21.5	35.0	16.0	51.6	19.0	M14	50	SS-UC210	FBPL210	1.12
	1-13/16 1-7/8 1-15/16 2	7-1/4	3-3/8	2-9/32	1-13/16	2-11/16	4-13/32	23/32	27/32	1-3/8	5/8	2.0315	0.748	7/16				
SS-UCFBPL211	55	207.0	90.0	62.0	50.0	78.0	130.0	18.0	25.0	42.0	16.0	55.6	22.2	M14	55	SS-UC211	FBPL211	1.47
	2 2-1/16 2-1/8 2-3/16	8-5/32	3-35/64	2-7/16	1-31/32	3-5/64	5-1/8	23/32	63/64	1-21/32	5/8	2.189	0.874	1/2				
SS-UCFBPL212	60	223.0	94.0	66.0	55.0	84.0	140.0	18.0	29.0	47.0	16.0	65.1	25.4	M14	60	SS-UC212	FBPL212	1.63
	2-1/4 2-5/16 2-3/8 2-7/16	8-25/32	3-45/64	2-19/32	2-5/32	3-5/16	5-33/64	23/32	1-9/64	1-55/64	5/8	2.563	1.000	1/2				



Unit NO.	Dimensions (mm / in.)													Max.Torque		Bearing No.	Housing No.	Weight (kg)
	d	a	p	(e)	s	i	j	k	g	z	f	B	n	Bolt D	Nm			
SS-UCFCPL201	12	100.0	78.0	55.1	12.0	10.0	5.0	7.0	20.5	28.3	62.0	31.0	12.7	M10	18	SS-UC201	FCPL201	0.62
	1/2	3-15/16	3-5/64	2-11/64	15/32	25/64	13/64	9/32	13/16	1-7/64	2-7/16	1.220	0.500	3/8				
SS-UCFCPL202	15	100.0	78.0	55.1	12.0	10.0	5.0	7.0	20.5	28.3	62.0	31.0	12.7	M10	18	SS-UC202	FCPL202	0.61
	9/16	3-15/16	3-5/64	2-11/64	15/32	25/64	13/64	9/32	13/16	1-7/64	2-7/16	1.220	0.500	3/8				
SS-UCFCPL203	17	100.0	78.0	55.1	12.0	10.0	5.0	7.0	20.5	28.3	62.0	31.0	12.7	M10	18	SS-UC203	FCPL203	0.60
	11/16	3-15/16	3-5/64	2-11/64	15/32	25/64	13/64	9/32	13/16	1-7/64	2-7/16	1.220	0.500	3/8				
SS-UCFCPL204	20	100.0	78.0	55.1	12.0	10.0	5.0	7.0	20.5	28.3	62.0	31.0	12.7	M10	18	SS-UC204	FCPL204	0.59
	3/4	3-15/16	3-5/64	2-11/64	15/32	25/64	13/64	9/32	13/16	1-7/64	2-7/16	1.220	0.500	3/8				
SS-UCFCPL205	25	115.0	90.0	63.6	12.0	10.0	6.0	7.0	21.0	29.8	70.0	34.1	14.3	M10	25	SS-UC205	FCPL205	0.71
	13/16 7/8 15/16 1	4-17/32	3-35/64	2-1/2	15/32	25/64	15/64	9/32	53/64	1-11/64	2-3/4	1.343	0.542	3/8				
SS-UCFCPL206	30	125.0	100.0	70.7	12.0	10.0	8.0	8.0	23.0	32.2	80.0	38.1	15.9	M10	30	SS-UC206	FCPL206	0.94
	1-1/16 1-1/8 1-3/16 1-1/4	4-59/64	3-15/16	2-25/32	15/32	25/64	5/16	5/16	29/32	1-17/64	3-5/32	1.500	0.626	3/8				
SS-UCFCPL207	35	135.0	110.0	77.8	14.0	11.0	8.0	9.0	26.0	36.4	90.0	42.9	17.5	M12	35	SS-UC207	FCPL207	1.17
	1-1/4 1-5/16 1-3/8 1-7/16	5-5/16	4-21/64	3-1/16	35/64	7/16	5/16	23/64	1-1/32	1-7/16	3-35/64	1.689	0.689	7/16				
SS-UCFCPL208	40	145.0	120.0	84.8	14.0	11.0	10.0	9.0	26.0	41.2	100.0	49.2	19.0	M12	40	SS-UC208	FCPL208	1.42
	1-1/2 1-9/16	5-45/64	4-23/32	3-11/32	35/64	7/16	25/64	23/64	1-1/32	1-5/8	3-15/16	1.937	0.748	7/16				
SS-UCFCPL209	45	160.0	132.0	93.3	16.0	10.0	12.0	14.0	26.0	40.2	105.0	49.2	19.0	M14	45	SS-UC209	FCPL209	1.55
	1-5/8 1-11/16 1-3/4	6-19/64	5-13/64	3-43/64	5/8	25/64	15/32	35/64	1-1/32	1-37/64	4-9/64	1.937	0.748	1/2				
SS-UCFCPL210	50	165.0	138.0	97.6	16.0	10.0	12.0	14.0	28.0	42.6	110.0	51.6	19.0	M14	50	SS-UC210	FCPL210	1.76
	1-13/16 1-7/8 1-15/16 2	6-1/2	5-7/16	3-27/32	5/8	25/64	15/32	35/64	1-7/64	1-43/64	4-21/64	2.031	0.748	1/2				
SS-UCFCPL211	55	185.0	150.0	106.1	19.0	13.0	12.0	15.0	31.0	46.4	125.0	55.6	22.2	M16	55	SS-UC211	FCPL211	2.15
	2 2-1/16 2-1/8 2-3/16	7-9/32	5-29/32	4-11/64	3/4	33/64	15/32	19/32	1-7/32	1-53/64	4-59/64	2.189	0.874	5/8				
SS-UCFCPL212	60	195.0	160.0	113.1	19.0	17.0	12.0	15.0	36.0	56.7	135.0	65.1	25.4	M16	60	SS-UC212	FCPL212	2.64
	2-1/4 2-5/16 2-3/8 2-7/16	7-43/64	6-19/64	4-29/64	3/4	43/64	15/32	19/32	1-27/64	2-15/64	5-5/16	2.563	1.000	5/8				



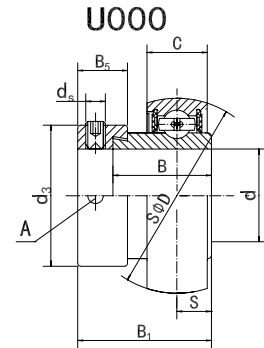
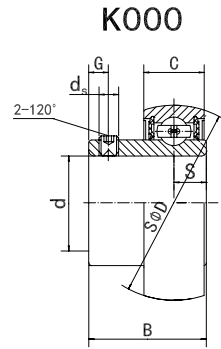
Unit NO.	Dimensions (mm / in.)										Bearing No.	Housing No.	Weight (kg)
	d	h	a	m	t	w	c	s	B	n			
SS-UCHPL201	12	64.0	99.0	65.0	36.0	47.0	27.5	M16	31.0	12.7	SS-UC201	HPL201	0.38
	1/2	2-33/64	3-57/64	2-9/16	1-27/64	1-27/32	1-5/64		1.221	0.500			
SS-UCHPL202	15	64.0	99.0	65.0	36.0	47.0	27.5	M16	31.0	12.7	SS-UC202	HPL202	0.37
	9/16	2-33/64	3-57/64	2-9/16	1-27/64	1-27/32	1-5/64		1.221	0.500			
	5/8												
SS-UCHPL203	17	64.0	99.0	65.0	36.0	47.0	27.5	M16	31.0	12.7	SS-UC203	HPL203	0.36
	11/16	2-33/64	3-57/64	2-9/16	1-27/64	1-27/32	1-5/64		1.221	0.500			
SS-UCHPL204	20	64.0	99.0	65.0	36.0	47.0	27.5	M16	31.0	12.7	SS-UC204	HPL204	0.35
	3/4	2-33/64	3-57/64	2-9/16	1-27/64	1-27/32	1-5/64		1.221	0.500			
SS-UCHPL205	25	64.0	99.0	74.0	36.0	47.0	27.5	M16	34.1	14.3	SS-UC205	HPL205	0.40
	13/16	2-33/64	3-57/64	2-29/32	1-27/64	1-27/32	1-5/64		1.343	0.563			
	7/8												
15/16													
SS-UCHPL206	30	76.0	125.0	90.0	40.0	63.0	34.5	M16	38.1	15.9	SS-UC206	HPL206	0.55
	1-1/16	2-63/64	4-59/64	3-35/64	1-37/64	2-31/64	1-23/64		1.500	0.626			
	1-1/8												
	1-3/16												
	1-1/4												
SS-UCHPL207	35	76.0	125.0	90.0	40.0	63.0	34.5	M16	42.9	17.5	SS-UC207	HPL207	0.80
	1-1/4	2-63/64	4-59/64	3-35/64	1-37/64	2-31/64	1-23/64		1.689	0.689			
	1-5/16												
	1-3/8												
	1-7/16												
SS-UCHPL208	40	85.0	140.0	100.0	40.0	80.0	34.5	M16	49.2	19.0	SS-UC208	HPL208	0.90
	1-1/2	3-11/32	5-33/64	3-15/16	1-37/64	3-5/32	1-23/64		1.937	0.748			
SS-UCHPL209	45	90.0	149.0	110.0	50.0	85.0	40.0	M20	49.2	19.0	SS-UC209	HPL209	1.10
	1-5/8	3-35/64	5-55/64	4-21/64	1-31/32	3-11/32	1-37/64		1.937	0.748			
	1-11/16												
1-3/4													
SS-UCHPL210	50	90.0	149.0	110.0	50.0	85.0	40.0	M20	51.6	19.0	SS-UC210	HPL210	1.20
	1-13/16	3-35/64	5-55/64	4-21/64	1-31/32	3-11/32	1-37/64		2.032	0.748			
	1-7/8												
	1-15/16												
2													
SS-UCHPL211	55	106.0	171.0	140.0	64.0	95.0	38.0	M20	55.6	22.2	SS-UC211	HPL211	1.40
	2	4-11/64	6-47/64	5-33/64	2-33/64	3-47/64	1-1/2		2.189	0.874			
	2-1/16												
	2-1/8												
2-3/16													
SS-UCHPL212	60	119.0	194.0	140.0	64.0	102.0	42.0	M20	65.1	25.4	SS-UC212	HPL212	1.52
	2-1/4	4-11/16	7-41/64	5-33/64	2-33/64	4-1/64	1-21/32		2.563	1.000			
	2-5/16												
2-3/8													
	2-7/16												



Unit NO.	Dimensions (mm / in.)										Bearing No.	Housing No.	Weight (kg)					
	d	h	a	b	w	c	s	i	B	n								
SS-UCHAPL201	12	64.0	40.0	64.0	96.0	0.0	M16	19.0	31.0	12.7	SS-UC201	HAPL201	0.51					
	1/2	2-33/64	1-37/64	2-33/64	3-25/32			3/4	1.221	0.500								
SS-UCHAPL202	15	64.0	40.0	64.0	96.0	0.0	M16	19.0	31.0	12.7	SS-UC202	HAPL202	0.50					
	9/16	2-33/64	1-37/64	2-33/64	3-25/32			3/4	1.221	0.500								
	5/8																	
SS-UCHAPL203	17	64.0	40.0	64.0	96.0	0.0	M16	19.0	31.0	12.7	SS-UC203	HAPL203	0.49					
	11/16	2-33/64	1-37/64	2-33/64	3-25/32			3/4	1.221	0.500								
SS-UCHAPL204	20	64.0	40.0	64.0	96.0	0.0	M16	19.0	31.0	12.7	SS-UC204	HAPL204	0.48					
	3/4	2-33/64	1-37/64	2-33/64	3-25/32			3/4	1.221	0.500								
SS-UCHAPL205	25	64.0	40.0	78.0	103.0	0.0	M20	19.0	34.1	14.3	SS-UC205	HAPL205	0.57					
	13/16 7/8 15/16 1	2-33/64	1-37/64	3-5/64	4-1/16			3/4	1.343	0.563								
	30													64.0	40.0	78.0	103.0	0.0
SS-UCHAPL206	1-1/16 1-1/8 1-3/16 1-1/4	2-33/64	1-37/64	3-5/64	4-1/16		M20	19.0	38.1	15.9	SS-UC206	HAPL206	0.80					
	30							64.0	40.0	78.0				103.0	0.0	3/4	1.500	0.626
	1-1/4; 1-5/16 ; 1-3/8; 1-7/16							2-3/4	1-37/64	3-5/8				4-9/16		3/4	1.689	0.689
SS-UCHAPL207	35	70.0	40.0	92.0	116.0	0.0	M20	19.0	42.9	17.5	SS-UC207	HAPL207	1.10					
	1-1/4; 1-5/16 ; 1-3/8; 1-7/16	2-3/4	1-37/64	3-5/8	4-9/16			3/4	1.689	0.689								
SS-UCHAPL208	40	73.0	40.0	96.0	121.0	2.0	M20	19.0	49.2	19.0	SS-UC208	HAPL208	1.35					
	1-1/2 1-9/16	2-7/8	1-37/64	3-25/32	4-49/64	5/64		3/4	1.937	0.748								
SS-UCHAPL209	45	82.0	48.0	108.0	136.0	5.0	M20	21.0	49.2	19.0	SS-UC209	HAPL209	1.46					
	1-5/8 1-11/16 1-3/4	3-15/64	1-57/64	4-1/4	5-23/64	13/64		3/4	1.937	0.748								
	50													83.0	48.0	118.0	142.0	5.0
SS-UCHAPL210	1-13/16 1-7/8 1-15/16 2	3-17/64	1-57/64	4-41/64	5-19/32	13/64	M24	21.0	51.6	19.0	SS-UC210	HAPL210	1.67					
	55							87.0	60.0	126.0				150.0	7.0	3/4	2.032	0.748
SS-UCHAPL211	2 2-1/16 2-1/8 2-3/16	3-27/64	2-23/64	4-61/64	5-29/32	9/32	M30	25.0	55.6	22.2	SS-UC211	HAPL211	2.07					
	60							102.0	60.0	142.0				173.0	9.0	3/4	2.189	0.874
	2-1/4 2-5/16 2-3/8 2-7/16							4-1/64	2-23/64	5-19/32				6-13/16	23/64	3/4	2.563	1.000
SS-UCHAPL212	60	102.0	60.0	142.0	173.0	9.0	M30	28.0	65.1	25.4	SS-UC212	HAPL212	2.63					
	2-1/4 2-5/16 2-3/8 2-7/16	4-1/64	2-23/64	5-19/32	6-13/16	23/64		3/4	2.563	1.000								

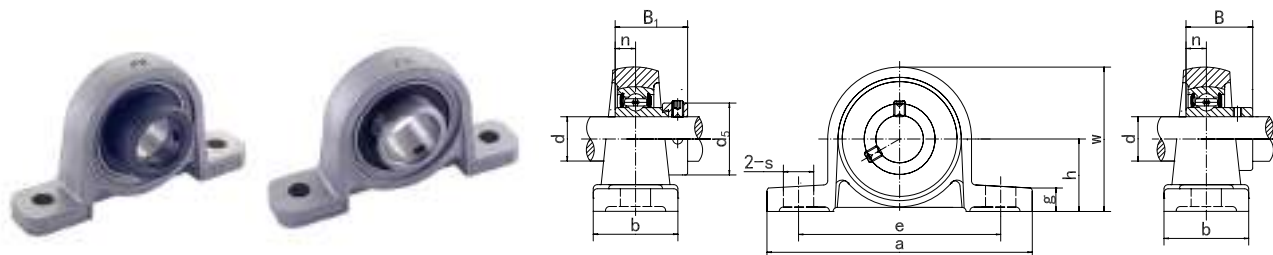
Silver series





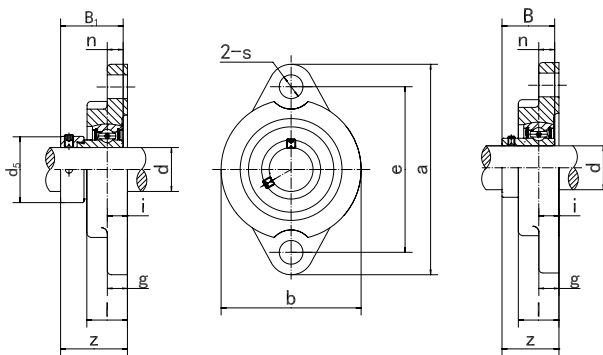
Bearing NO.	Dimensions (mm / in.)								Dynamic load ratings (N)	Static load ratings (N)	Weight (kg)
	d	D	B	C	r	S	G	ds			
K08	8	22.0	14.0	7.0	0.5	3.5	3.0	M3X0.35	3500	1370	0.01
		0.8661	0.5512	0.2756		0.1378	0.1181				
K000	10	26	14	8		4.0	3.0	M3X0.35	4606	1906	0.02
		1.0236	0.5512	0.3150		0.1575	0.1181				
K001	12	28	14.5	8		4.0	3.0	M3X0.35	5096	2401	0.03
		1.1024	0.5709	0.3150		0.1575	0.1181				
K002	15	32	16.5	9		4.5	3.5	M4X0.5	5586	2842	0.05
		1.2598	0.6496	0.3543		0.1772	0.1378				
K003	17	35	17.5	10		5.0	3.5	M4X0.5	5978	3284	0.05
		1.3780	0.6890	0.3937		0.1969	0.1378				
K004	20	42	21	12	6.0	4.0	M5X0.5	9359	5047	0.09	
		1.6535	0.8268	0.4724	0.2362	0.1575					
K005	35	62.0	30.0	14.0	7.0	6.0	M6X0.75	15920	10290	0.20	
		2.4409	1.1811	0.5512	0.2756	0.2362					
K006	30	55	24.5	13	6.5	5.0	M5X0.5	13230	8281	0.15	
		2.1654	0.9646	0.5118	0.2559	0.1969					
K007	30	55	24.5	13	6.5	5.0	M5X0.5	13230	8281	0.15	
		2.1654	0.9646	0.5118	0.2559	0.1969					

Bearing NO.	Dimensions (mm / in.)											Dynamic load ratings (N)	Static load ratings (N)	Weight (kg)
	d	D	B1	B	C	r	S	B5	d3	A	ds			
U608	8	22	17.0	10.5	7.0	0.5	3.5	8.5	15.0	3.5	M4X0.7	3500	1370	0.02
		0.8661	0.6693	0.4134	0.2756		0.1378	0.3346	0.5906	0.1378				
U000	10	26	17.5	11.0	8.0		4.0	8.5	17.0	3.5	M4X0.7	4606	1906	0.03
		1.0236	0.6890	0.4331	0.3150		0.1575	0.3346	0.6693	0.1378				
U001	12	28	17.5	11.0	8.0		4.0	8.5	19.0	3.5	M4X0.7	5096	2401	0.04
		1.1024	0.6890	0.4331	0.3150		0.1575	0.3346	0.7480	0.1378				
U002	15	32	18.5	12.0	9.0		4.5	8.5	22.0	3.5	M4X0.7	5586	2842	0.05
		1.2598	0.7283	0.4724	0.3543		0.1772	0.3346	0.8661	0.1378				
U003	17	35	20.5	13.5	10.0		5.0	9.5	25.0	3.5	M4X0.7	5978	3284	0.06
		1.3780	0.8071	0.5315	0.3937		0.1969	0.3740	0.9843	0.1378				
U004	20	42	24.5	16.5	12.0	6.0	11.0	30.0	5.0	M5X0.8	9359	5047	0.10	
		1.6535	0.9646	0.6496	0.4724	0.2362	0.4331	1.1811	0.1969					
U005	25	47	25.5	17.5	12.0	6.0	12.0	36.0	5.0	M5X0.8	10094	5831	0.14	
		1.8504	1.0039	0.6890	0.4724	0.2362	0.4724	1.4173	0.1969					
U006	30	55	26.5	18.5	13.0	6.5	12.0	42.0	5.0	M5X0.8	13230	8281	0.19	
		2.1654	1.0433	0.7283	0.5118	0.2559	0.4724	1.6535	0.1969					
U007	35	62	29.5	20.0	14.0	7.0	13.5	48.0	5.0	M6X0.75	15920	10290	0.25	
		2.4409	1.1614	0.7874	0.5512	0.2756	0.5315	1.8898	0.1969					



Unit NO.	Dimensions (mm / in.)											Bolt Size mm/in.	Bearing No.	Housing No.	Weight (kg)
	d	h	a	e	S	g	w	b	B1	n	d5				
UP08	8	16.0	55.0	42.0	4.8	5.0	29.0	12.0	17.0	3.5	15.0	M5	U08	P08	0.06
		0.630	2.165	1.654	0.189	0.197	1.142	0.472	0.669	0.138	0.591				
UP000	10	18.0	67.0	53.0	7.0	6.0	35.0	16.0	17.5	4.0	17.0	M6	U000	P000	0.08
		0.709	2.638	2.087	0.276	0.236	1.378	0.630	0.689	0.157	0.669				
UP001	12	19.0	71.0	56.0	7.0	6.0	38.0	16.0	17.5	4.0	19.0	M6	U001	P001	0.09
		0.748	2.795	2.205	0.276	0.236	1.496	0.630	0.689	0.157	0.748				
UP002	15	22.0	80.0	63.0	7.0	7.0	43.0	16.0	18.5	4.5	22.0	M6	U002	P002	0.13
		0.866	3.150	2.480	0.276	0.276	1.693	0.630	0.728	0.177	0.866				
UP003	17	24.0	85.0	67.0	7.0	7.0	47.0	18.0	20.5	5.0	25.0	M6	U003	P003	0.16
		0.945	3.346	2.638	0.276	0.276	1.850	0.709	0.807	0.197	0.984				
UP004	20	28.0	100.0	80.0	9.0	9.0	55.0	20.0	24.5	6.0	30.0	M8	U004	P004	0.23
		1.102	3.937	3.150	0.354	0.354	2.165	0.787	0.965	0.236	1.181				
UP005	25	32.0	112.0	90.0	10.0	10.0	62.0	20.0	25.5	6.5	36.0	M8	U005	P005	0.29
		1.260	4.409	3.543	0.394	0.394	2.441	0.787	1.004	0.256	1.417				
UP006	30	36.0	132.0	106.0	13.0	11.0	70.0	26.0	26.5	6.5	42.0	M10	U006	P006	0.45
		1.417	5.197	4.173	0.512	0.433	2.756	1.024	1.043	0.256	1.654				
UP007	35	40.0	150.0	118.0	13.0	13.0	80.0	26.0	29.5	7.0	42.0	M10	U006	P006	0.45
		UP006	1.575	5.906	4.646	0.512	0.512	3.150	1.024	1.161	0.276				

Unit NO.	Dimensions (mm / in.)											Bolt Size mm/in.	Bearing No.	Housing No.	Weight (kg)
	d	h	a	e	S	g	w	b	B	n					
KP08	8	16.0	55.0	42.0	4.8	5.0	29.0	12.0	14.0	3.5		M5	K08	P08	0.05
		0.630	2.165	1.654	0.189	0.197	1.142	0.472	0.551	0.138					
KP000	10	18.0	67.0	53.0	7.0	6.0	35.0	16.0	14.0	4.0		M6	K000	P000	0.07
		0.709	2.638	2.087	0.276	0.236	1.378	0.630	0.551	0.157					
KP001	12	19.0	71.0	56.0	7.0	6.0	38.0	16.0	14.5	4.0		M6	K001	P001	0.09
		0.748	2.795	2.205	0.276	0.236	1.496	0.630	0.571	0.157					
KP002	15	22.0	80.0	63.0	7.0	7.0	43.0	16.0	16.5	4.5		M6	K002	P002	0.13
		0.866	3.150	2.480	0.276	0.276	1.693	0.630	0.650	0.177					
KP003	17	24.0	85.0	67.0	7.0	7.0	47.0	18.0	17.5	5.0		M6	K003	P003	0.16
		0.945	3.346	2.638	0.276	0.276	1.850	0.709	0.689	0.197					
KP004	20	28.0	100.0	80.0	9.0	9.0	55.0	20.0	21.0	6.0		M8	K004	P004	0.23
		1.102	3.937	3.150	0.354	0.354	2.165	0.787	0.827	0.236					
KP005	25	32.0	112.0	90.0	10.0	10.0	62.0	20.0	22.5	6.5		M8	K005	P005	0.29
		1.260	4.409	3.543	0.394	0.394	2.441	0.787	0.886	0.256					
KP006	30	36.0	132.0	106.0	13.0	11.0	70.0	26.0	24.5	6.5		M10	K006	P006	0.45
		1.417	5.197	4.173	0.512	0.433	2.756	1.024	0.965	0.256					
KP007	35	40.0	150.0	118.0	13.0	13.0	80.0	26.0	27.5	7.0		M10	K006	P006	0.45
		1.575	5.906	4.646	0.512	0.512	3.150	1.024	1.083	0.276					



Unit NO.	Dimensions (mm / in.)												Bolt Size mm/in.	Bearing No.	Housing No.	Weight (kg)
	d	a	e	b	S	i	g	l	z	B1	n	d5				
UFL08	8	48.0	36.0	27.0	5.0	4.0	4.0	8.5	17.5	17.0	3.5	15.0	M6	U08	FL08	0.05
		1.890	1.417	1.063	0.197	0.157	0.157	0.335	0.689	0.669	0.138	0.591				
UFL000	10	60.0	45.0	36.0	7.0	5.5	5.5	11.5	19.0	17.5	4.0	17.0	M6	U000	FL000	0.06
		2.362	1.772	1.417	0.276	0.217	0.217	0.453	0.748	0.689	0.157	0.669				
UFL001	12	63.0	48.0	38.0	7.0	5.5	5.5	11.5	19.0	17.5	4.0	19.0	M6	U001	FL001	0.07
		2.480	1.890	1.496	0.276	0.217	0.217	0.453	0.748	0.689	0.157	0.748				
UFL002	15	67.0	53.0	42.0	7.0	6.5	6.5	13.0	20.5	18.5	4.5	22.0	M6	U002	FL002	0.10
		2.638	2.087	1.654	0.276	0.256	0.256	0.512	0.807	0.728	0.177	0.866				
UFL003	17	71.0	56.0	46.0	7.0	7.0	7.0	14.0	22.5	20.5	5.0	25.0	M6	U003	FL003	0.13
		2.795	2.205	1.811	0.276	0.276	0.276	0.551	0.886	0.807	0.197	0.984				
UFL004	20	90.0	71.0	55.0	10.0	8.0	8.0	16.0	26.5	24.5	6.0	30.0	M8	U004	FL004	0.20
		3.543	2.795	2.165	0.394	0.315	0.315	0.630	1.043	0.965	0.236	1.181				
UFL005	25	95.0	75.0	60.0	10.0	8.0	8.0	16.0	27.5	25.5	6.0	36.0	M8	U005	FL005	0.25
		3.740	2.953	2.362	0.394	0.315	0.315	0.630	1.083	1.004	0.236	1.417				
UFL006	30	112.0	85.0	70.0	13.0	9.0	9.0	18.0	29.0	26.5	6.5	42.0	M10	U006	FL006	0.35
		4.409	3.346	2.756	0.512	0.354	0.354	0.709	1.142	1.043	0.256	1.654				
UFL007	35	122.0	95.0	80.0	13.0	10.0	10.0	20.0	32.5	29.5	7.0	48.0	M10	U007	FL007	0.51
		4.803	3.740	3.150	0.512	0.394	0.394	0.787	1.280	1.161	0.276	1.890				

Unit NO.	Dimensions (mm / in.)												Bolt Size mm/in.	Bearing No.	Housing No.	Weight (kg)
	d	a	e	b	S	i	g	l	z	B	n					
KFL08	8	48.0	36.0	27.0	5.0	4.0	4.0	8.5	14.5	14.0	3.5		M5	K08	FL08	0.05
		1.890	1.417	1.063	0.197	0.157	0.157	0.335	0.571	0.551	0.138					
KFL000	10	60.0	45.0	36.0	7.0	5.5	5.5	11.5	15.5	14.0	4.0		M6	K000	FL000	0.06
		2.362	1.772	1.417	0.276	0.217	0.217	0.453	0.610	0.551	0.157					
KFL001	12	63.0	48.0	38.0	7.0	5.5	5.5	11.5	16.0	14.5	4.0		M6	K001	FL001	0.07
		2.480	1.890	1.496	0.276	0.217	0.217	0.453	0.630	0.571	0.157					
KFL002	15	67.0	53.0	42.0	7.0	6.5	6.5	13.0	18.6	16.5	4.5		M6	K002	FL002	0.10
		2.638	2.087	1.654	0.276	0.256	0.256	0.512	0.732	0.650	0.177					
KFL003	17	71.0	56.0	46.0	7.0	7.0	7.0	14.0	19.5	17.5	5.0		M6	K003	FL003	0.13
		2.795	2.205	1.811	0.276	0.276	0.276	0.551	0.768	0.689	0.197					
KFL004	20	90.0	71.0	55.0	10.0	8.0	8.0	16.0	23.0	21.0	6.0		M8	K004	FL004	0.20
		3.543	2.795	2.165	0.394	0.315	0.315	0.630	0.906	0.827	0.236					
KFL005	25	95.0	75.0	60.0	10.0	8.0	8.0	16.0	24.5	22.5	6.5		M8	K005	FL005	0.25
		3.740	2.953	2.362	0.394	0.315	0.315	0.630	0.965	0.886	0.256					
KFL006	30	112.0	85.0	70.0	13.0	9.0	9.0	18.0	27.0	24.5	6.5		M10	K006	FL006	0.35
		4.409	3.346	2.756	0.512	0.354	0.354	0.709	1.063	0.965	0.256					
KFL007	35	122.0	96.0	80.0	13.0	10.0	10.0	21.0	30.5	27.5	7.0		M12	K007	FL007	0.50
		4.803	3.780	3.150	0.512	0.394	0.394	0.827	1.201	1.083	0.276					

What is IP69K?

The IP69K rating means a piece of equipment can withstand intensive cleaning with high-pressure, high-temperature jets. IP69K products are ideal for industries where sanitation is a primary concern, such as food processing and pharmaceutical applications.

IP69K Test

The product is placed on a turntable that rotates five times a minute. It's sprayed at 80 to 100 bar/1,160 to 1,450 PSI, in phases of 14 to 16 l/min, and at temperatures up to 176° F/80° C. The nozzle must be within four to six inches from the product, and the spray must be directed from four different angles (0° , 30° , 60° , and 90°) for 30 seconds at a time. The product is given the IP69K rating if it completely resists water ingress under these conditions.

FK knows that keeping your facility compliant with the latest guidelines for food safety can be difficult. That is why we now offer a complete product portfolio designed to meet the stringent 3rd party IP69K certification.

Typical application



Bakery chain



Brewing line



Canning processing



Car wash



Beverage bottling line

Typical application



Seafood processing



Dairy processing



Fruit and vegetable processing



Meat processing



Pharma processing



泛科

带座轴承专家与应用解决方案代表供应商
Bearing Units Expert and Leading Supplier



www.fk-bearing.com

FK GENERAL PRODUCTS

 **Best Selling Brand**
18 million sets per year



泛科

**The Biggest Manufacturer of
Bearing Units in The World**



泛科 带座轴承专家与应用解决方案代表供应商
 Bearing Units Expert and Leading Supplier



www.fk-bearing.com

泛科 FK Products

Cover 200K M² WHOLE INDUSTRY CHAIN AUTOMATIC PRODUCTION BASE
 MORE STABLE QUALITY, AGILE DELIVERY



<p>Casting parts</p>			<p>Back seal</p>			<p>Cap</p>			<p>Adapter sleeve</p>				
FK-HS High speed Axial	FK-H Air handling	FK-MF Maintenance free Long life	FK-AI Low torque rotation	FK-HT HT100C HT200C HT300C HT-40C	FK Standard 57 series, 68 series, 77 series, 80 series	FK-AgII Al bearings	FK-C Customized	FK-HUB AG HUB UNITS	FK-QI 4 ports, center hub units	FK-SL Stainless steel Kodak Silver	FK-SN Purified fluids 50/100/150L/ 50/122290	FK-CR High Corrosion Resistant SPO of 50+	MZD Economic Bearing Units

FK CORROSION RESISTANT BEARING UNITS SOLUTIONS FOR THE FOOD AND BEVERAGE INDUSTRY



FK Bearing Group

Office: No.99 Xuemei Roda, Xuefeng Econmic Development Zone, Nanan 361021 China

Tel: 0592-6689010 Fax: 0592-6689009

E-mail: fk@fk-bearing.com www.fk-bearing.com

website



we chat

